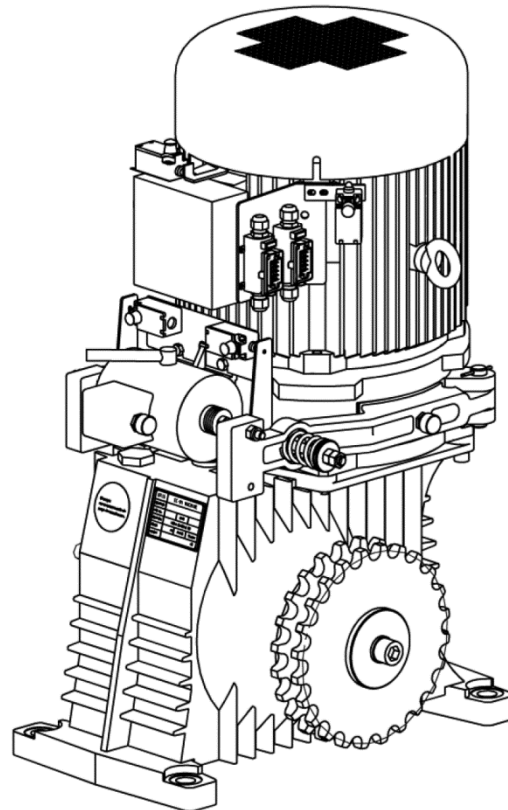
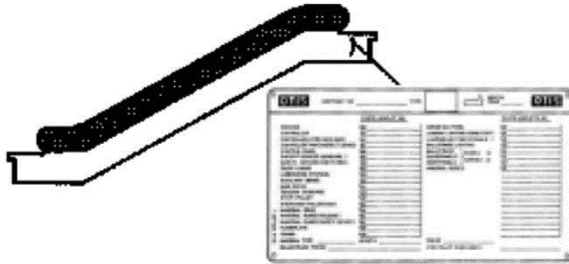


**508NCE\_ANSI /  
512NCE\_ANSI Escalator  
Machine EC-W1A-ANSI**

**Spare Parts Leaflet**

**06-DAA20401J**

**May 11, 2010 / Page 1 of 11**



**OTIS**

**ESCALATOR ENGINEERING  
Otis Elevator Company  
SIT GUANGZHOU**

Unpublished Work—© Otis Elevator Co.; 2010

**Leaflet Description**

Machine EC-W1A-ANSI-13KW, for 508NCE\_ANSI, 512NCE\_ANSI

**Leaflet Revisions**

<b>Date Revised</b>	<b>CN</b>	<b>Subject Matter Expert</b>	<b>Reason for Revision</b>
2009-5-20	--	Zhang, Yongbo	Original document
2009-11-20	--	Zh.Chen	P. 6 add DAA234J1-CB, change sprocket in pages 9, 11.
2010-02-10	--	Jeff Xu	Page 10: add motor and brake magnet cable.
2010-05-11	--	Zeng Feng	Page 10: add wrench adapter
2012-04-09	CN279029	Henry Zhu	Page 3, 6, 9, 10, 11, move semi-outdoor from indoor to outdoor; Page6, specify the part number of brake magnet PCB; Page 8, add FTJ160R gear box; Page 9, add gear oil for FTJ160R,correct type error for CRW160 gear oil
2012-04-25	CN279123	Henry Zhu	Page 8, change machine name EC-W1a-ANSI to EC-W1a L-ANSI
2013-04-02	CN400475	Henry Zhu	Page 6, 11, move semi-outdoor from indoor to outdoor
2013-9-13	CN441812	Jesse,Yang	Page 8 update the coupling bumper drawing No as DAA320AZ1(CN441812)
2013-12-26	CN464471	Henry Zhu	Page 8, change gearbox from GAA20000G to DAA20000G

**Related Drawings**

<b>Drawing No.</b>	<b>Title</b>	<b>Drawing No.</b>	<b>Title</b>
DAA20401J	EC-W1A-ANSI-13		

**Related Documents**

<b>Document ID</b>	<b>Title</b>
ODS DAA27076EJ	EC-W1A-ANSI-13

**Subject Matter Expert**

<b>Name</b>	<b>Department</b>
Zhang, Yongbo	SIT-GUANGZHOU

**About Spare Parts Leaflets...**

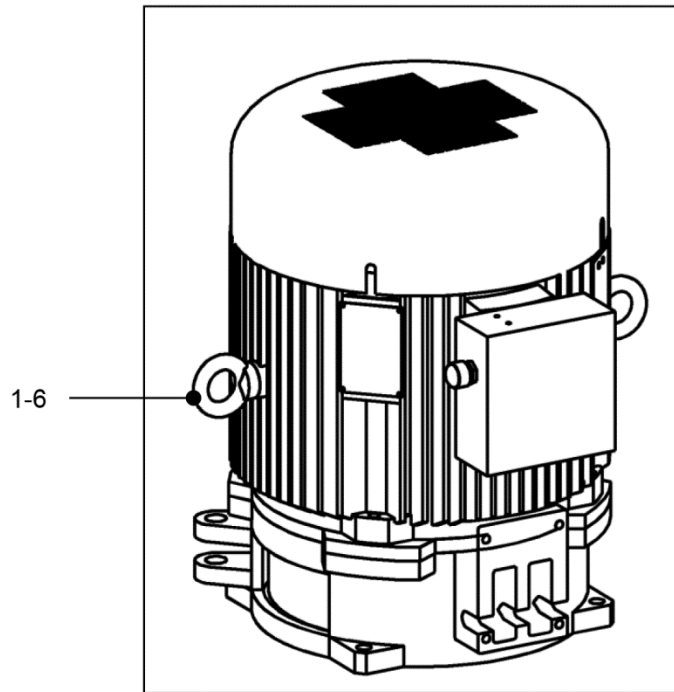
This document lists the lowest replaceable units (LRUs) for the standard version of the product. The LRUs are chosen by a team of Otis associates representing engineering and manufacturing.

While goal of this document is to make parts identification as easy as possible, the document cannot be all-inclusive. Elevator and escalator contracts classified as "special" or "custom" are not addressed here. For such contracts, please refer to specified information, the contract folder, TIPs, Field Education Articles, Construction Letters, etc. for further information.

If you have any suggestions about this document, please contact the subject matter expert listed on this page.

**Escalator Machine EC-W1A-ANSI**

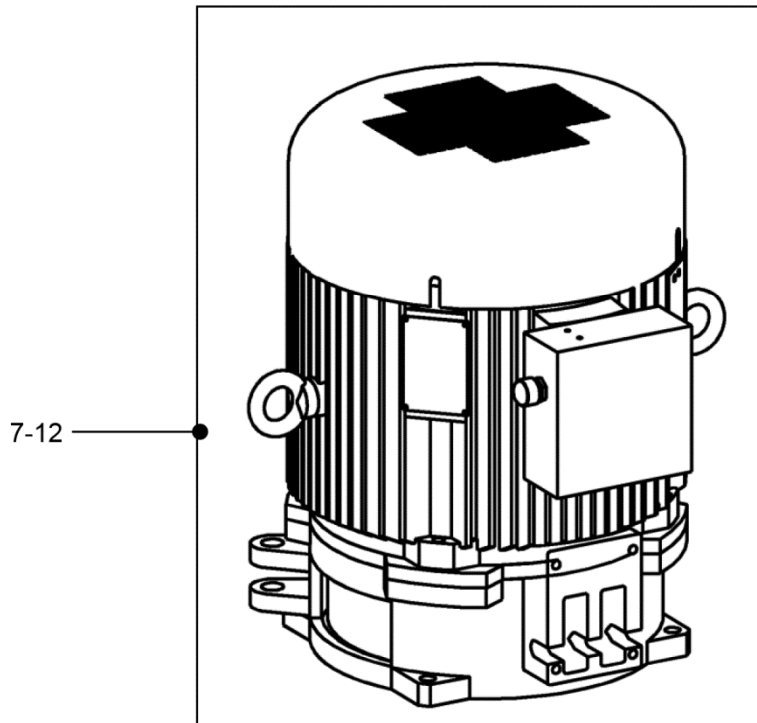
**Motor , for indoor**



<b>DAA20401J</b>		
<b>REF. No.</b>	<b>PART No.</b>	<b>DESCRIPTION</b>
1	DAA20550H1	Motor (13Kw, 60Hz, 1200rpm, IP55, 200/220V, w/ over speed governor), for indoor
2	DAA20550H2	Motor (13Kw, 60Hz, 1200rpm, IP55, 200/220V, w/o over speed governor) , for indoor
3	DAA20550H3	Motor (13Kw, 60Hz, 1200rpm, IP55, 480V, w/ over speed governor) , for indoor
4	DAA20550H4	Motor (13Kw, 60Hz, 1200rpm, IP55, 480V, w/o over speed governor) , for indoor
5	DAA20550H5	Motor (13Kw, 60Hz, 1200rpm, IP55, 600V, w/ over speed governor) , for indoor
6	DAA20550H6	Motor (13Kw, 60Hz, 1200rpm, IP55, 600V, w/o over speed governor) , for indoor

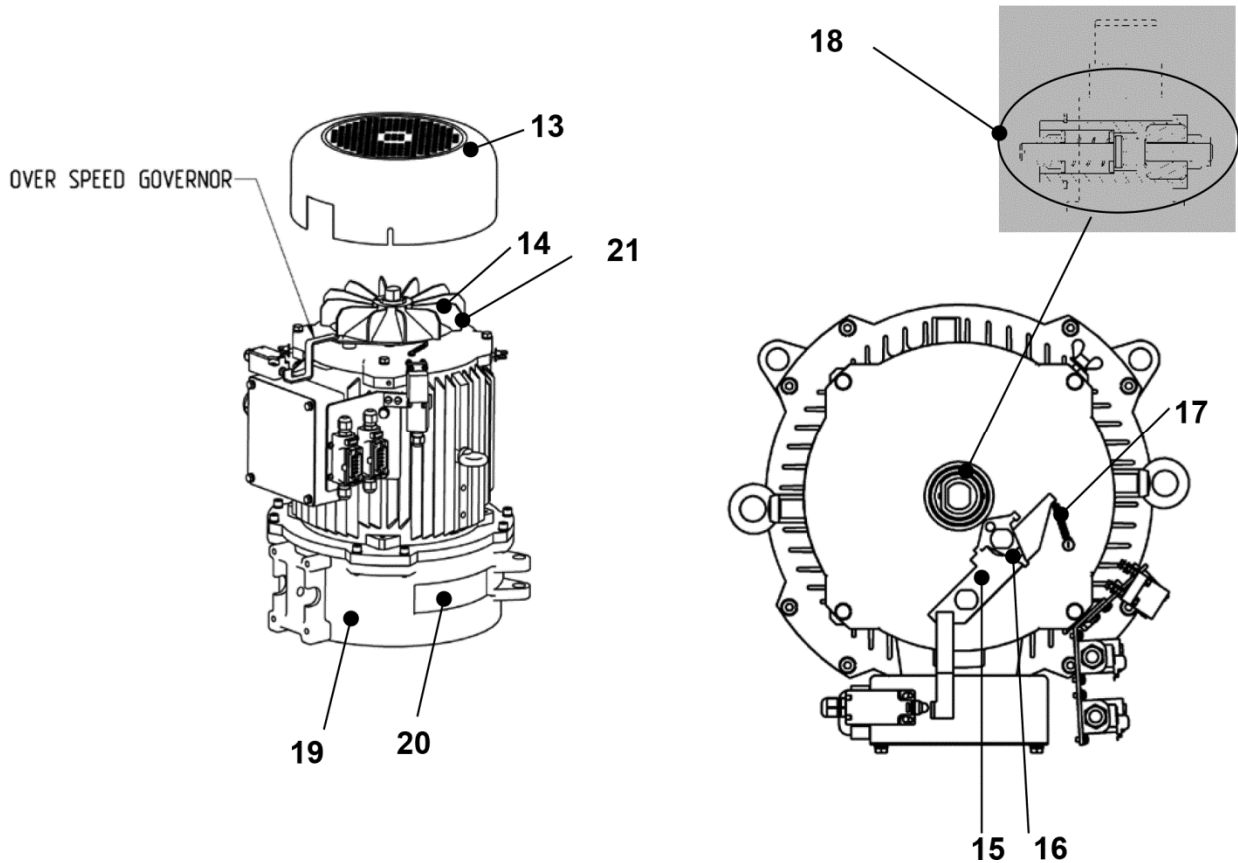
**Escalator Machine EC-W1A-ANSI**

**Motor, for outdoor / semi-outdoor**



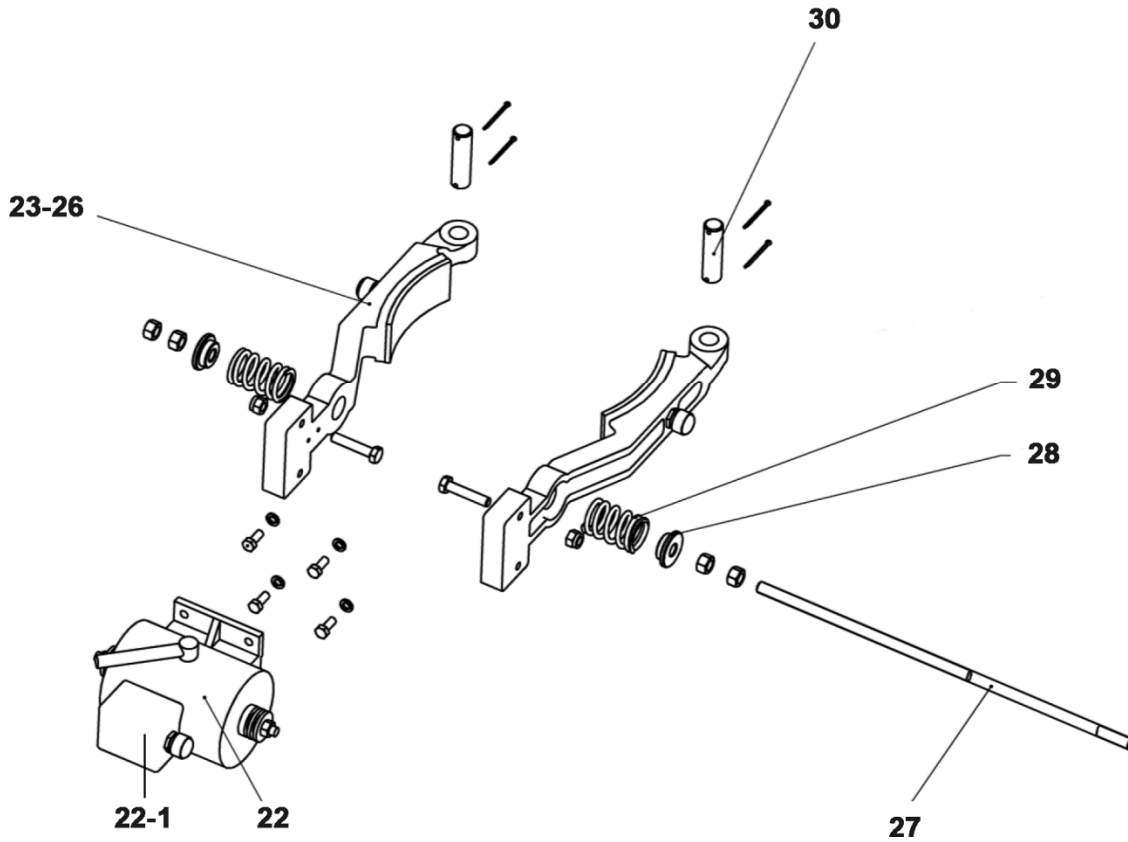
<b>DAA20401J</b>		
<b>REF. No.</b>	<b>PART No.</b>	<b>DESCRIPTION</b>
7	DAA20550H101	Motor (13Kw, 60Hz, 1200rpm, IP55, 200/220V, w/ over speed governor), for outdoor / semi-outdoor
8	DAA20550H102	Motor (13Kw, 60Hz, 1200rpm, IP55, 200/220V, w/o over speed governor) , for outdoor / semi-outdoor
9	DAA20550H103	Motor (13Kw, 60Hz, 1200rpm, IP55, 480V, w/ over speed governor) , for outdoor / semi-outdoor
10	DAA20550H104	Motor (13Kw, 60Hz, 1200rpm, IP55, 480V, w/o over speed governor) , for outdoor / semi-outdoor
11	DAA20550H105	Motor (13Kw, 60Hz, 1200rpm, IP55, 600V, w/ over speed governor) , for outdoor / semi-outdoor
12	DAA20550H106	Motor (13Kw, 60Hz, 1200rpm, IP55, 600V, w/o over speed governor) , for outdoor / semi-outdoor

**Escalator Machine EC-W1A-ANSI**



<b>DAA20401J</b>		
<b>REF. No</b>	<b>PART No.</b>	<b>DESCRIPTION</b>
13	DAA20550H-001	Motor cover, blue
14	DAA20550H-002	Fan
15	DAA20550H-003	Over speed switch plate
16	DAA20550H-004	Tripper of over speed governor
17	DAA20550H-005	Spring of over speed governor
18	DAA20550H-006	Over speed governor (1360-1380rpm)
19	DAA20550H-007	Flange connection between motor and gearbox
20	DAA20550H-008	Brake sheave
21	DAA20550H-009	Motor upper cover

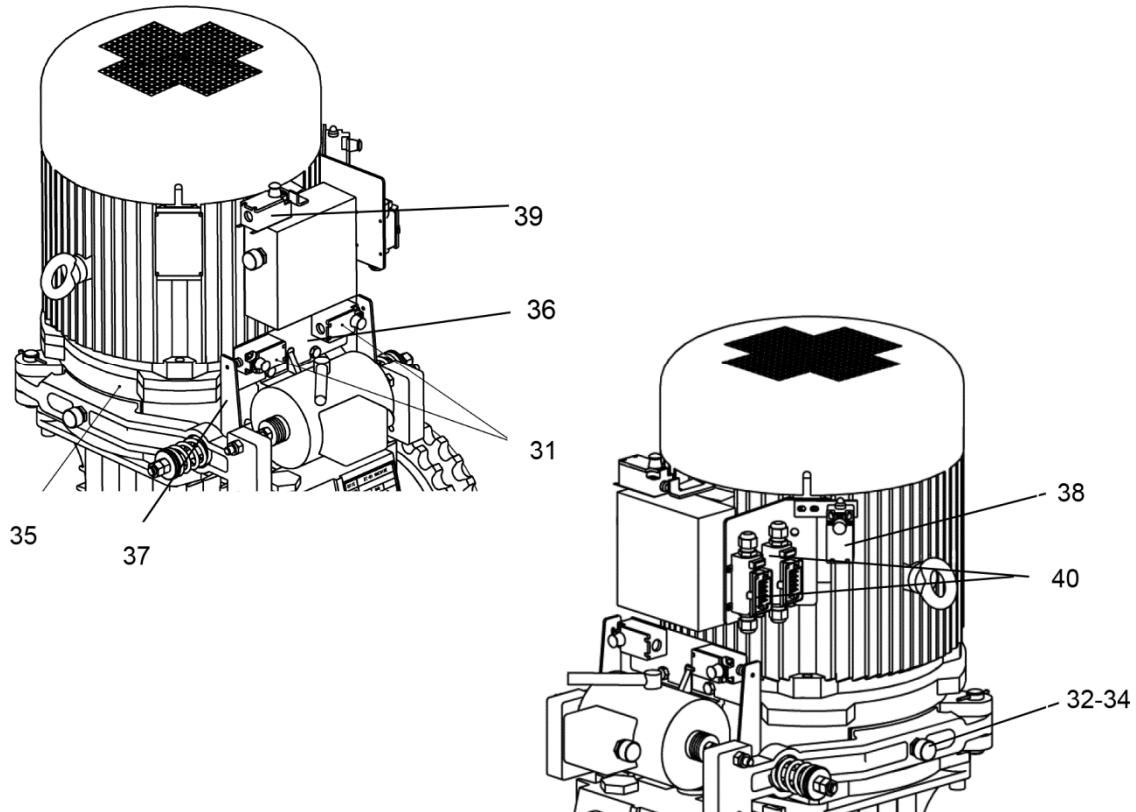
**Brake parts**



<b>DAA20401J</b>		
<b>REF. No.</b>	<b>PART No.</b>	<b>DESCRIPTION</b>
22	DAA234J1	Brake magnet
22-1	DAA26800BE1	Brake magnet circuit board
23	DAA286K1	Brake arm , w/ break lining wear, indoor
24	DAA286K2	Brake arm, w/o break lining wear, indoor
25	DAA286K101	Brake arm , w/ break lining wear, outdoor / semi-outdoor
26	DAA286K102	Brake arm, w/o break lining wear, outdoor / semi-outdoor
27	GAA98FG1	Rod
28	GAA131AAM1	Spring holder
29	DAA90AJ1	Spring
30	ISO2340-20X75	Pin

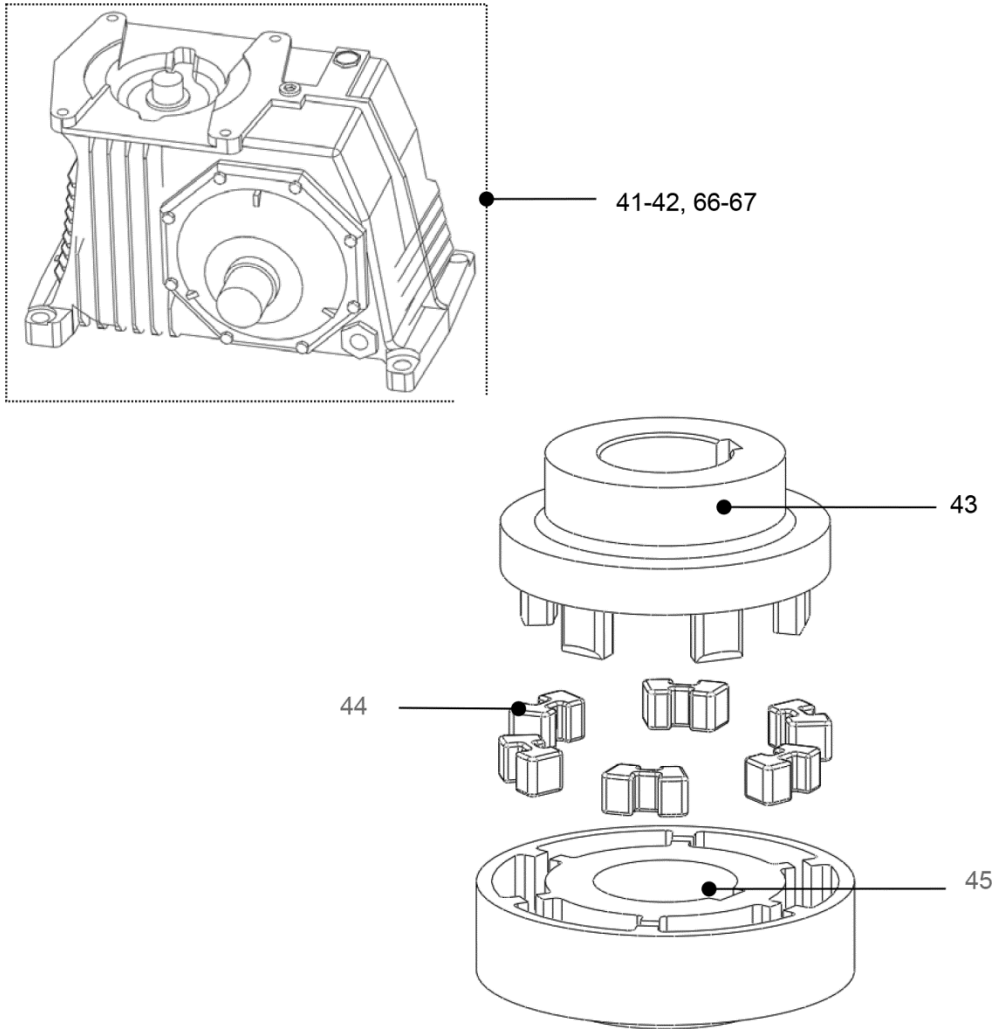
**Escalator Machine EC-W1A-ANSI**

**Safety device**



<b>DAA20401J</b>		
<b>REF. No.</b>	<b>PART No.</b>	<b>DESCRIPTION</b>
31	GOA177BX1	Switch for brake lift monitoring device
32	GAA174APJ4	Cable for Brake lining wear device
33	GAA174APJ9	Cable for Brake lining wear device
34	GAA174APJ10	Cable for Brake lining wear device
35	DAA177AX2	Sensor for non reversing device, 2 pieces
36	DAA316ADA1	Bracket
37	DAA316ACZ1	Bracket
38	DAA177AF1	Switch for hand wheel safety contact
39	GOA177BX4	Switch for over speed device
40	GAA176JM1	Connector housing

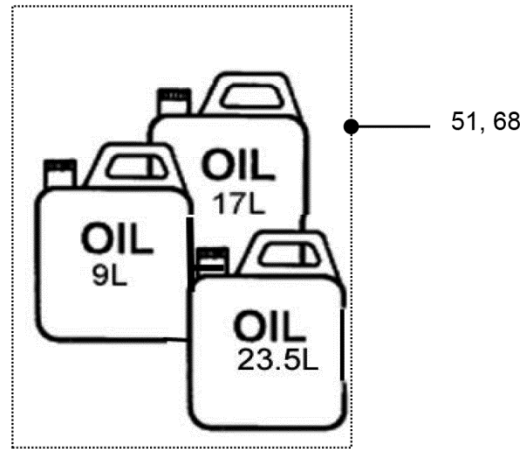
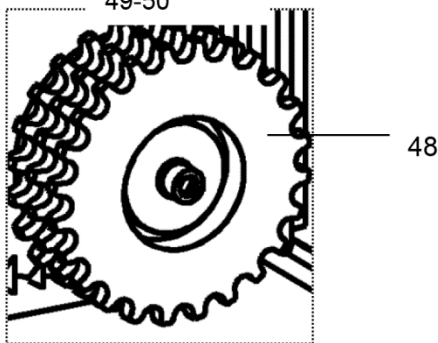
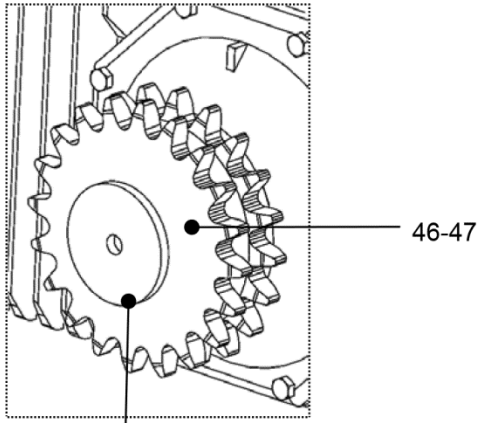
**508NCE\_ANSI / 512NCE\_ANSI  
Escalator Machine EC-W1A-ANSI**



<b>DAA20401J</b>		
<b>REF. No.</b>	<b>PART No.</b>	<b>DESCRIPTION</b>
41	GAA20000K1	Gear box (CRW160 for EC-W1a_L-ANSI), indoor
42	GAA20000K101	Gear box (CRW160 for EC-W1a_L-ANSI), outdoor/ semi-outdoor
66	DAA20000G1	Gear box (FTJ160R for EC-W1a_R-ANSI), indoor
67	DAA20000G101	Gear box (FTJ160R for EC-W1a_R-ANSI), outdoor/ semi-outdoor
43	DAA218F1	Coupling, motor side
44	DAA320AZ1	Coupling, gear side Coupling bumper
45	DAA218G1	Coupling, gear side



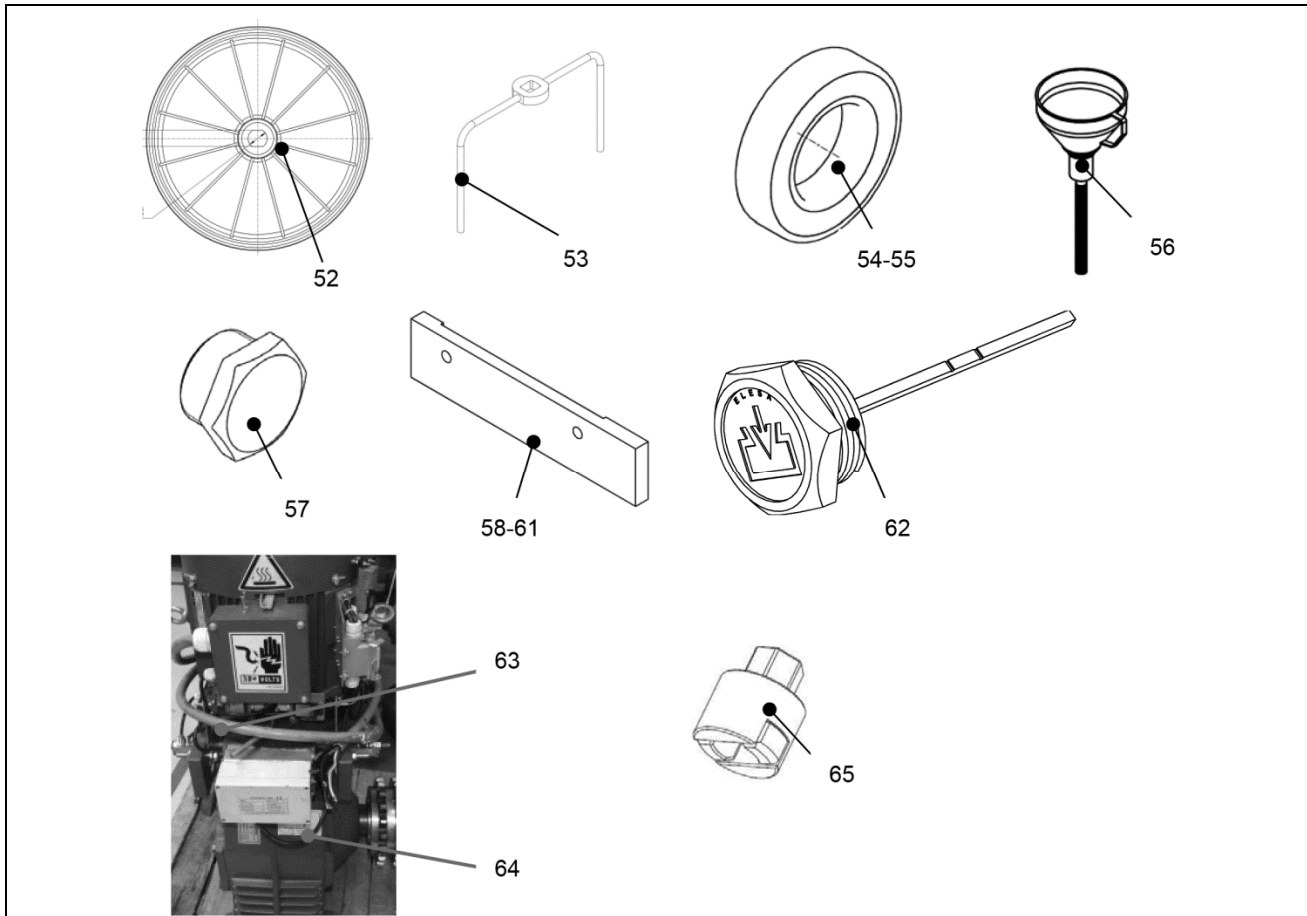
**Escalator Machine EC-W1A-ANSI**



**DAA20401J**

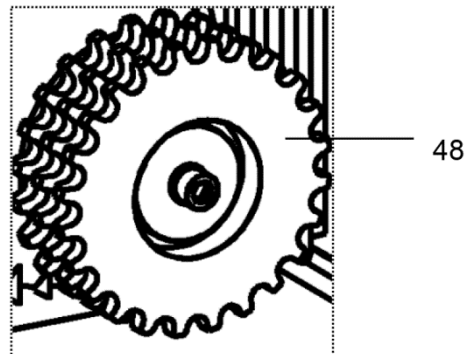
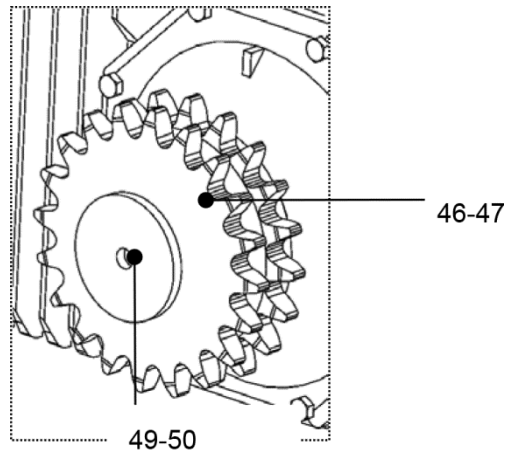
<b>REF. No.</b>	<b>PART No.</b>	<b>DESCRIPTION</b>
46	DAA195AE4	Sprocket, 19 teeth, Duplex for 508NCE_ANSI, indoor
47	DAA195AE1	Sprocket, 23 teeth, Duplex for 512NCE_ANSI, indoor
48	DAA195AG8	Sprocket, 23 teeth, Triplex for 512NCE_ANSI, indoor
46-1	DAA195AE104	Sprocket, 19 teeth, Duplex for 508NCE_ANSI, outdoor/semi-outdoor
47-1	DAA195AE101	Sprocket, 23 teeth, Duplex for 512NCE_ANSI, outdoor/semi-outdoor
48-1	DAA195AG108	Sprocket, 23 teeth, Triplex for 512NCE_ANSI, outdoor/semi-outdoor
49	DAA131AX1	Sprocket holder, indoor
50	DAA131AX101	Sprocket holder, outdoor / semi-outdoor
51	GAA33BG1	Gear box oil (MoBil Glygoyle 460, 12.5L, CRW160, EC-W1a_L-ANSI machine)
68	GAA33BG2	Gear box oil (MoBil Glygoyle 220, 12L, FTJ160R, EC-W1a_R-ANSI machine)

**Escalator Machine EC-W1A-ANSI**



<b>DAA20401J</b>		
<b>REF. No.</b>	<b>PART No.</b>	<b>DESCRIPTION</b>
52	GAA28JC1	Hand wheel
53	DAA20250E1	Brake release tool
54	NSK 6212ZZ	Motor bearing, lower
55	NSK 6210ZZ	Motor bearing, upper
56	DAA349A1	Funnel tube
57	GAA65ES1	Oil plunger (for transportation)
58	DAA180FD1	Machine bottom plate (as shown), indoor
59	DAA180FD2	Machine bottom plate (opposite), indoor
60	DAA180FD101	Machine bottom plate (as shown), outdoor / semi-outdoor
61	DAA180FD102	Machine bottom plate (opposite) , outdoor / semi-outdoor
62	DAA65AW1	Oil plug
63	DAA174AFW2	Motor power supply cable
64	DAA174AFW11	Brake magnet power supply cable.
65	DAA270AK1	Wrench adapter

**Escalator Machine EC-W1A-ANSI**



<b>DAA20401J</b>		
<b>REF. No.</b>	<b>PART No.</b>	<b>DESCRIPTION</b>
46-2	GAA195QA4	Sprocket, 19 teeth, Duplex for 508NCE_ANSI, indoor
47-2	GAA195QA1	Sprocket, 23 teeth, Duplex for 512NCE_ANSI, indoor
48-2	DAA195J8	Sprocket, 23 teeth, Triplex for 512NCE_ANSI, indoor
46-3	GAA195QA104	Sprocket, 19 teeth, Duplex for 508NCE_ANSI, outdoor/semi-outdoor
47-3	GAA195QA101	Sprocket, 23 teeth, Duplex for 512NCE_ANSI, outdoor/semi-outdoor
48-3	DAA195J108	Sprocket, 23 teeth, Triplex for 512NCE_ANSI, outdoor/semi-outdoor
49-1	GAA131AAH1	Sprocket holder, indoor
50-1	GAA131AAH2	Sprocket holder, outdoor / semi-outdoor