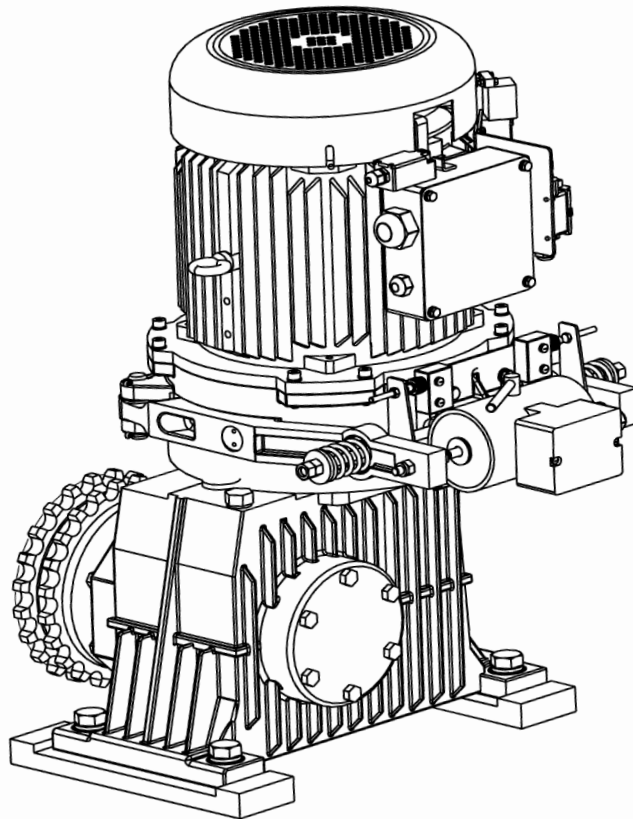
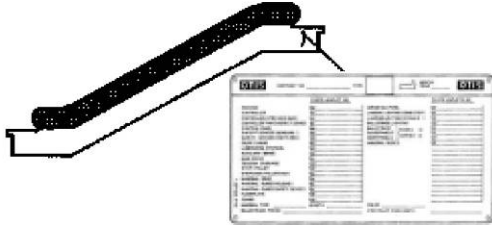


# ESCALATOR MACHINE EC-W1

**Spare Parts Leaflet**  
**06-DBA20401K**



Unpublished Work—© Otis Elevator Co.

**OTIS**

**Safety First!**

**ESCALATOR ENGINEERING**  
**Otis Elevator Company**  
**OEC SHANGHAI**

# ESCALATOR MACHINE EC-W1

**Spare Parts Leaflet**  
**06-DBA20401K**

## Leaflet Description

Machine EC-W1 for Escalator 508NCE ANSI, 512NCE ANSI.

## Leaflet Revisions

Date Revised	Subject Matter Expert	Reason for Revision
May 22 2014	Andy Xie	Original document.CN538812
May 27 2014	Andy Xie	Page 12.Change gearbox name to FTJ125AR-2.CN540254
April 13 2016	Jarvis Wu	Page 8. Change magnet to DAA234AQ1and DAA234J1 . CN834686
June 12 2016	Mark Zhao	Page8, Add parts 79 and 80. CN878338

## Related Drawings

Drawing No.	Title	Drawing No.	Title
DBA20401K	Machine EC-W1-ANSI-7.5/9		

## Related Documents

Document ID	Title
DBA20401K_ODS_2	Machine EC-W1-ANSI-7.5/9

## Subject Matter Expert

Name	Department
Andy Xie	OECA

## About Spare Parts Leaflets

# **ESCALATOR MACHINE EC-W1**

**Spare Parts Leaflet  
06-DBA20401K**

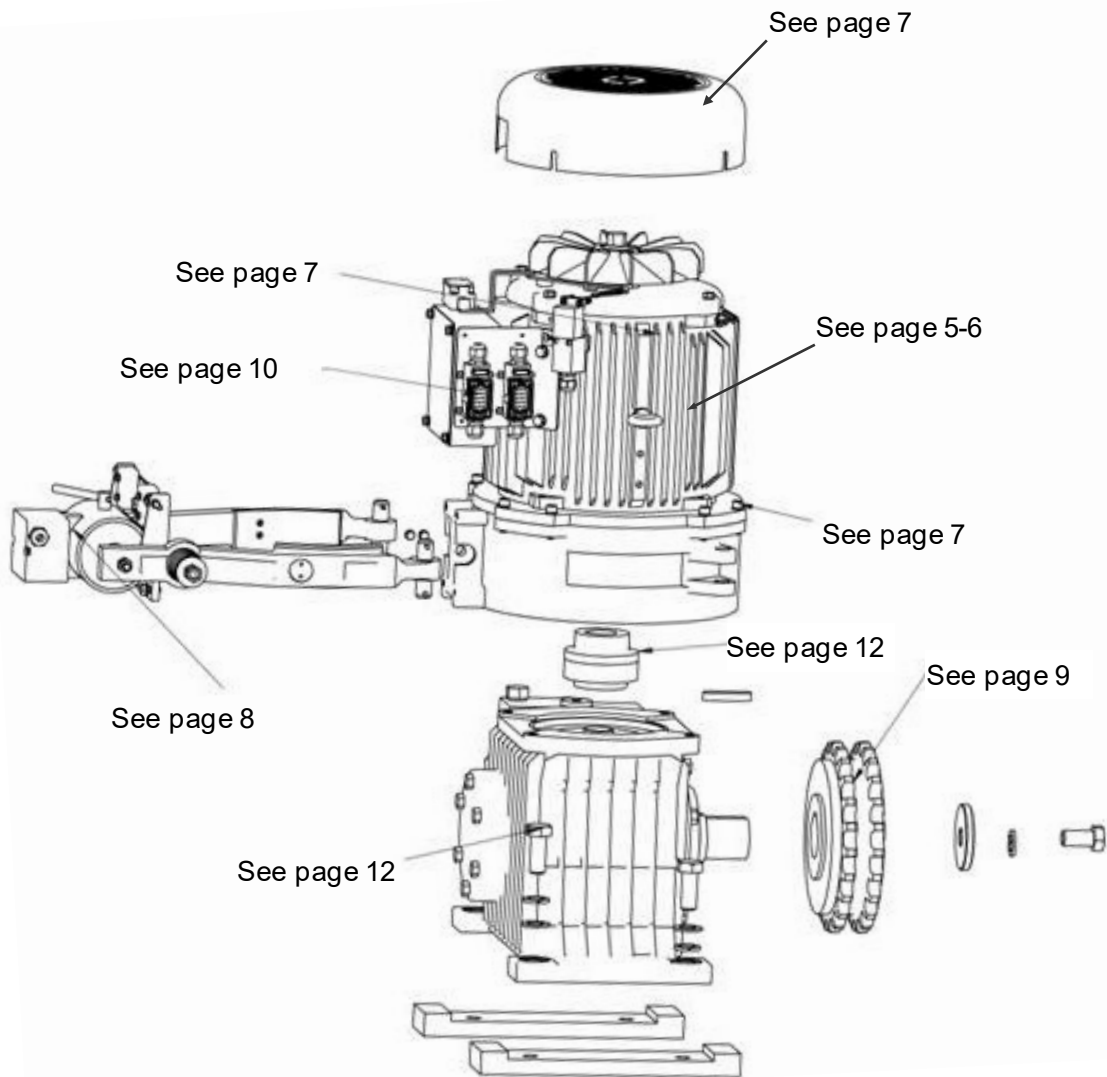
This document lists the lowest replaceable units (LRUs) for the standard version of the product. The LRUs are chosen by a team of Otis associates representing engineering and manufacturing.

While goal of this document is to make parts identification as easy as possible, the document cannot be all-inclusive. Elevator and escalator contracts classified as "special" or "custom" are not addressed here. For such contracts, please refer to specified information, the contract folder, TIPs, Field Education Articles, Construction Letters, etc. for further information.

If you have any suggestions about this document, please contact the subject matter expert listed on this page.

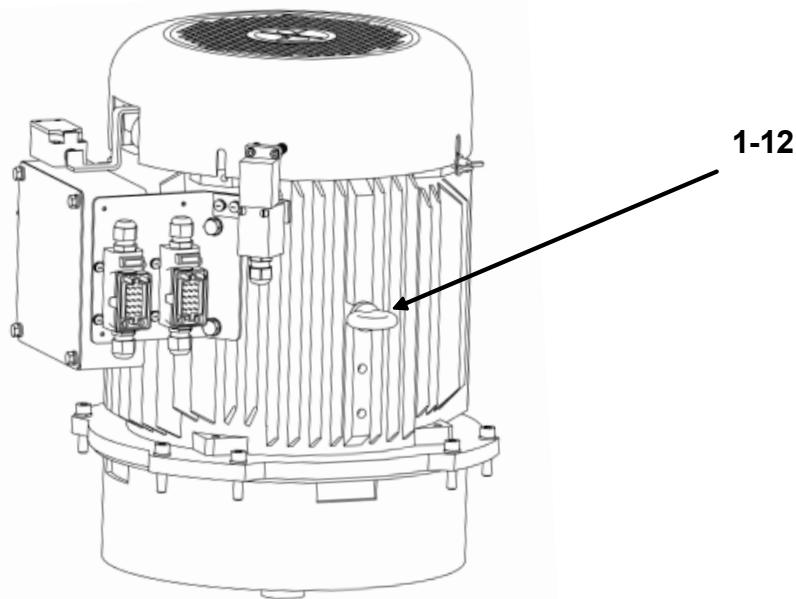
# ESCALATOR MACHINE EC-W1

**Spare Parts Leaflet**  
**06-DBA20401K**



# ESCALATOR MACHINE EC-W1

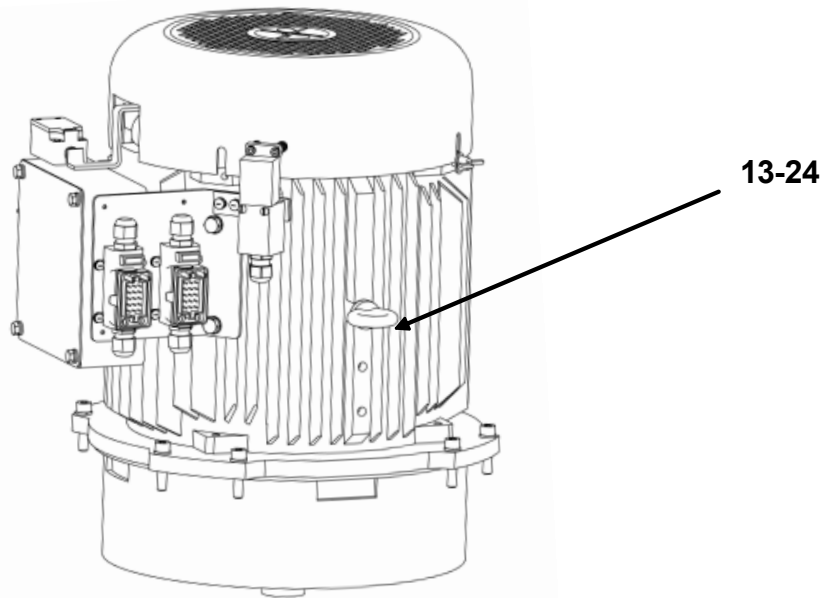
**Spare Parts Leaflet**  
**06-DBA20401K**



DBA20401K		
REF. No	PART No.	DESCRIPTION
1	DAA20550Z73	Motor (7.5kW, 200~220V, 60Hz, 1200rpm, IP44, with over speed governor)
2	DAA20550Z74	Motor (7.5kW, 200~220V, 60Hz, 1200rpm, IP44, without over speed governor)
3	DAA20550Z75	Motor (9kW, 200~220V, 60Hz, 1200rpm, IP44, with over speed governor)
4	DAA20550Z76	Motor (9kW, 200~220V, 60Hz, 1200rpm, IP44, without over speed governor)
5	DAA20550Z77	Motor (7.5kW, 480V, 60Hz, 1200rpm, IP44, with over speed governor)
6	DAA20550Z78	Motor (7.5kW, 480V, 60Hz, 1200rpm, IP44, without over speed governor)
7	DAA20550Z79	Motor (9kW, 480V, 60Hz, 1200rpm, IP44, with over speed governor)
8	DAA20550Z80	Motor (9kW, 480V, 60Hz, 1200rpm, IP44, without over speed governor)
9	DAA20550Z81	Motor (7.5kW, 600V, 60Hz, 1200rpm, IP44, with over speed governor)
10	DAA20550Z82	Motor (7.5kW, 600V, 60Hz, 1200rpm, IP44, without over speed governor)
11	DAA20550Z83	Motor (9kW, 600V, 60Hz, 1200rpm, IP44, with over speed governor)
12	DAA20550Z84	Motor (9kW, 600V, 60Hz, 1200rpm, IP44, without over speed governor)

# ESCALATOR MACHINE EC-W1

## Spare Parts Leaflet 06-DBA20401K

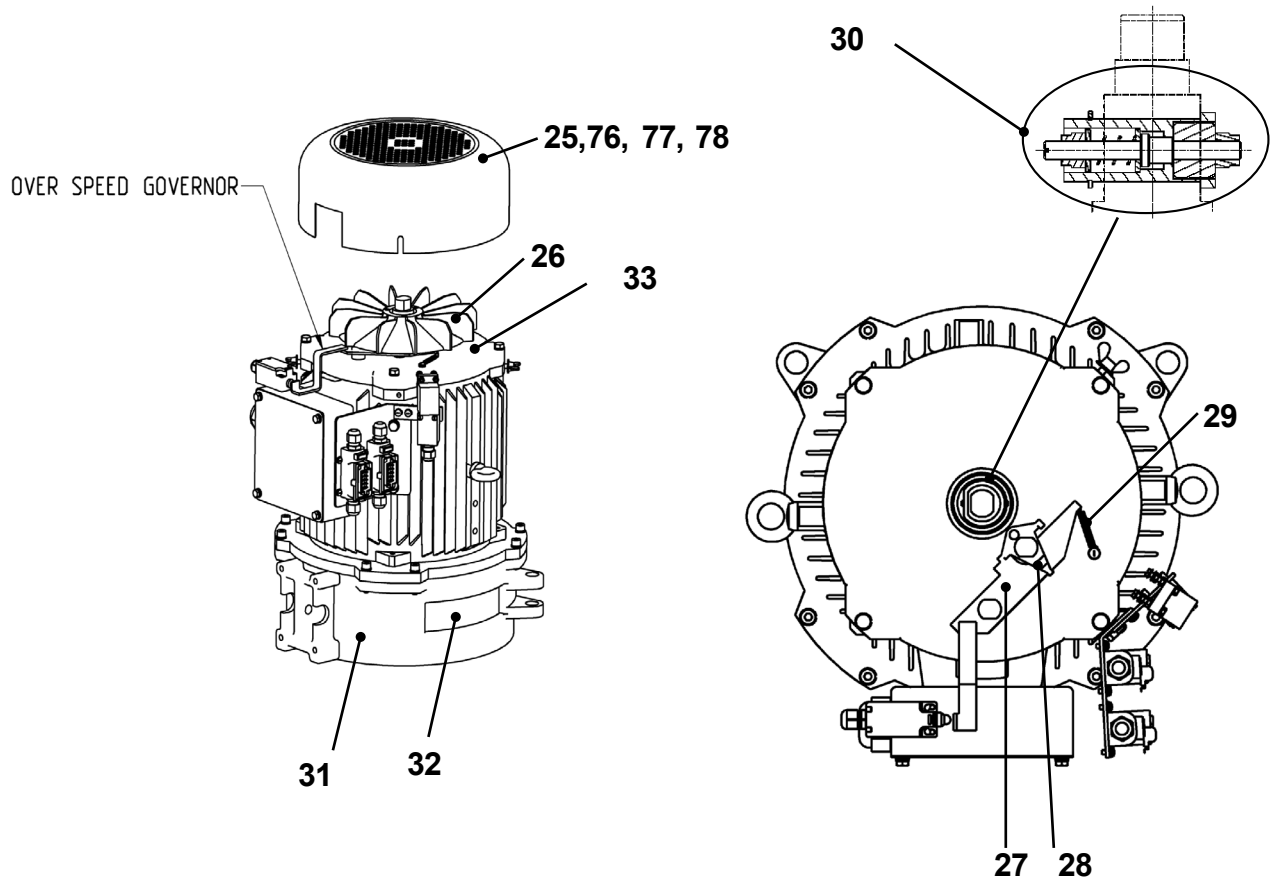


DBA20401K		
REF. No	PART No.	DESCRIPTION
13	DAA20550Z85	Motor (7.5kW/200~220V/60Hz/1200rpm/IP55/ <b>w</b> / over speed governor/outdoor)
14	DAA20550Z86	Motor (7.5kW/200~220V/60Hz/1200rpm/IP55/ <b>w/o</b> over speed governor/outdoor)
15	DAA20550Z87	Motor (9kW/200~220V/60Hz/1200rpm/IP55/ <b>w</b> / over speed governor/outdoor)
16	DAA20550Z88	Motor (9kW/200~220V/60Hz/1200rpm/IP55/ <b>w/o</b> over speed governor/outdoor)
17	DAA20550Z89	Motor (7.5kW/480V/60Hz/1200rpm/IP55/ <b>w</b> / over speed governor/outdoor)
18	DAA20550Z90	Motor (7.5kW/480V/60Hz/1200rpm/IP55/ <b>w/o</b> over speed governor/outdoor)
19	DAA20550Z91	Motor (9kW/480V/60Hz/1200rpm/IP55/ <b>w</b> / over speed governor/outdoor)
20	DAA20550Z92	Motor (9kW/480V/60Hz/1200rpm/IP55/ <b>w/o</b> over speed governor/outdoor)
21	DAA20550Z93	Motor (7.5kW/600V/60Hz/1200rpm/IP55/ <b>w</b> / over speed governor/outdoor)
22	DAA20550Z94	Motor (7.5kW/600V/60Hz/1200rpm/IP55/ <b>w/o</b> over speed governor/outdoor)
23	DAA20550Z95	Motor (9kW/600V/60Hz/1200rpm/IP55/ <b>w</b> / over speed governor/outdoor)
24	DAA20550Z96	Motor (9kW/600V/60Hz/1200rpm/IP55/ <b>w/o</b> over speed governor/outdoor)

Note: Item 1~24 are motors WITHOUT brake wheel housing.

# ESCALATOR MACHINE EC-W1

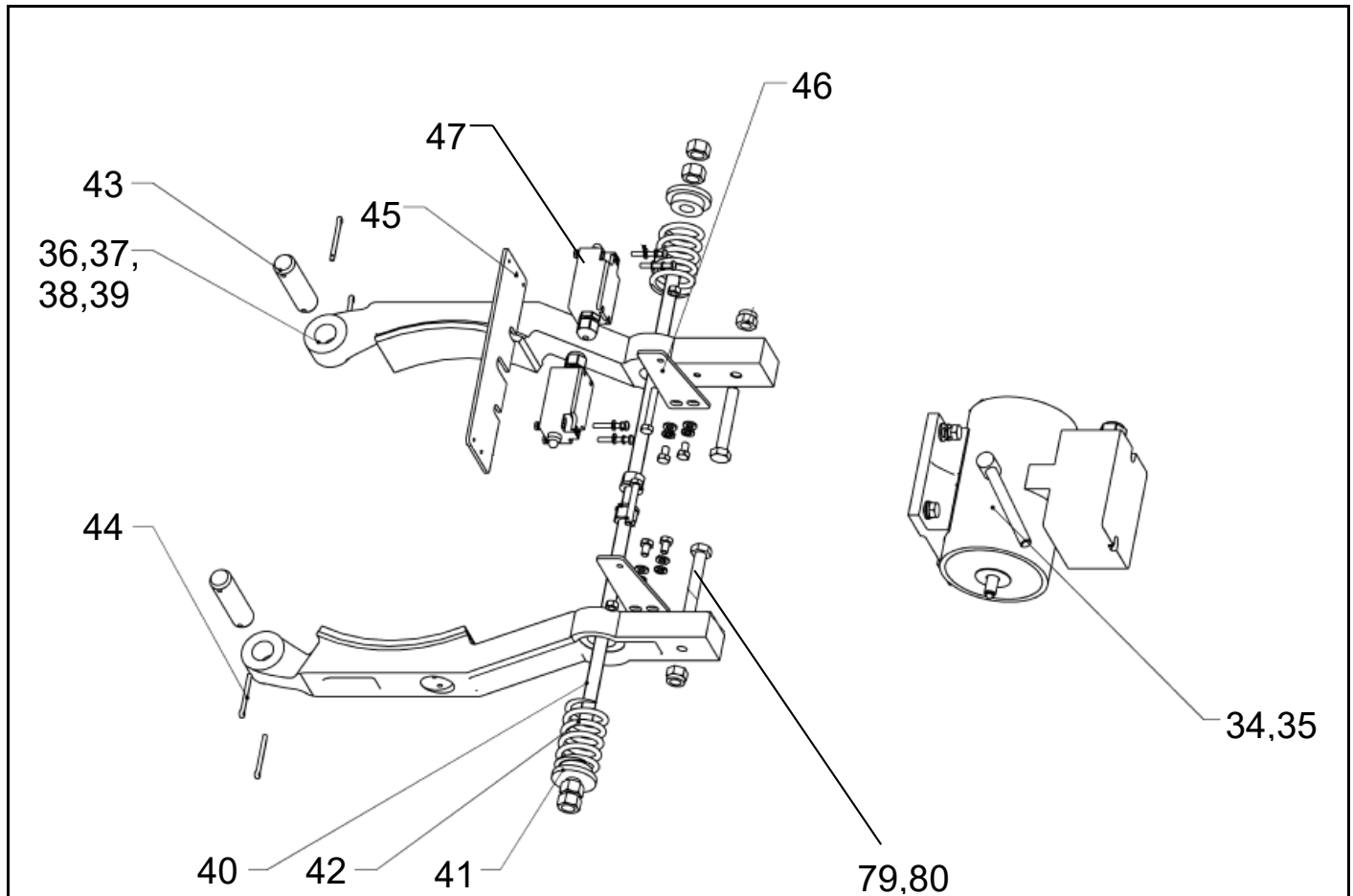
## Spare Parts Leaflet 06-DBA20401K



DBA20401K		
REF. No	PART No.	DESCRIPTION
25	DAA20550Z-HX122G1	Motor cover, RAL 5019(blue for indoor), for motor with OS
76	DAA20550Z-HX122G2	Motor cover, RAL 5019(blue for indoor), for motor without OS
77	DAA20550Z-HX122G3	Motor cover, RAL 7035(grey for outdoor/semi-outdoor), for motor with OS
78	DAA20550Z-HX122G4	Motor cover, RAL 7035(grey for outdoor/semi-outdoor), for motor without OS
26	DAA20550Z-HX116D	Fan
27	DAA20550Z-HX142CV	Over speed switch plate
28	DAA20550Z-HX118M	Tripper of over speed governor
29	DAA20550Z-HX133D	Spring of over speed governor
30	DAA20550Z-HX160A1-60Hz	Over speed governor (1360-1380rpm)
31	DAA20550Z-HX126P	Flange connection between motor and gearbox
32	DAA20550Z-HX117L	Brake sheave
33	DAA20550Z-HX102N	Motor upper cover

# ESCALATOR MACHINE EC-W1

**Spare Parts Leaflet**  
**06-DBA20401K**

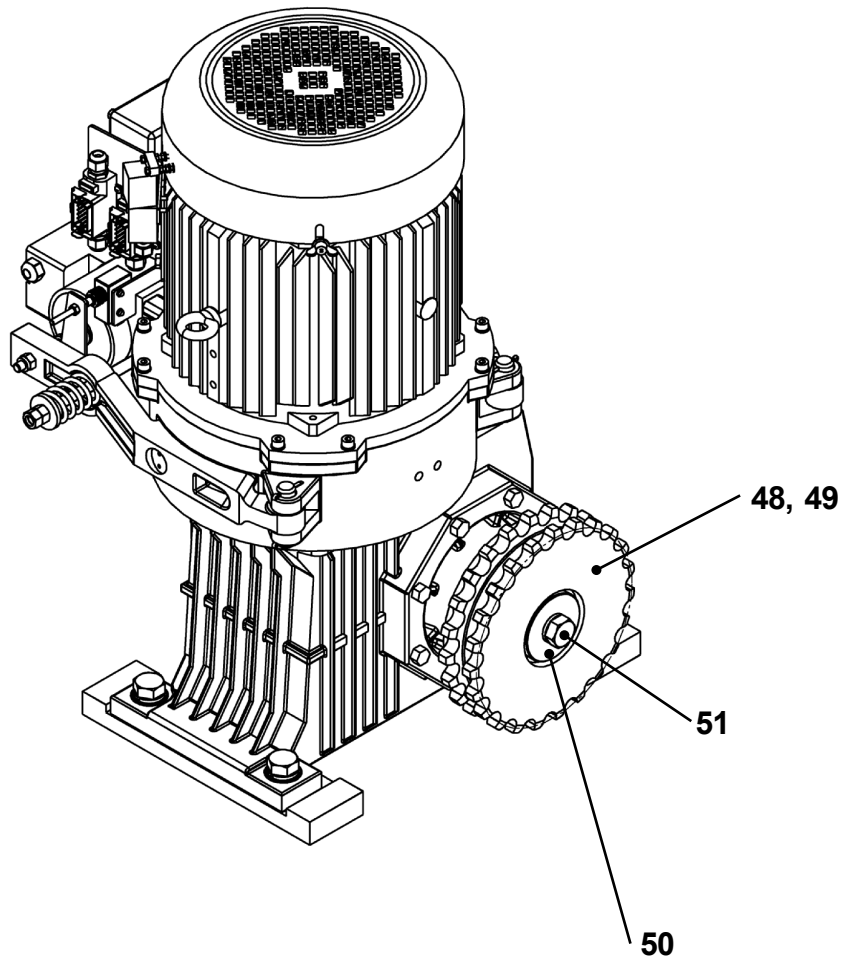


REF. No.	DBA20401K PART No.	DESCRIPTION
34-1	DAA234AQ1	Brake magnet (for 600 type escalator only)
34-2	DAA234J1	Brake magnet
35	DAA28600BE1	Circuit board of brake magnet
36	DAA286Q11	Brake arm, with lining wear, indoor
37	DAA286Q12	Brake arm, without lining wear, indoor
38	DAA286Q111	Brake arm, with lining wear, outdoor/semi-outdoor
39	DAA286Q112	Brake arm, without lining wear, outdoor/semi-outdoor
40	GAA98FG1	Brake rod
41	GAA131AAM1	Spring holder
42	DAA90AJ1	Spring
43	ISO2340B-20X75X5	Pin
44	ISO1234-4X32-Z	Split pin
45	DAA316APP1	Bracket
46	DAA316AND1	Bracket
47	GOA 177BX1	Switch
79	ISO4017M10X65-8-8Z-A7(sunk mark)	Hexagon head screw (sunk mark, outdoor/semi-outdoor)
80	ISO4017M10X65-8-8Z(sunk mark)	Hexagon head screw (sunk mark, indoor)



# ESCALATOR MACHINE EC-W1

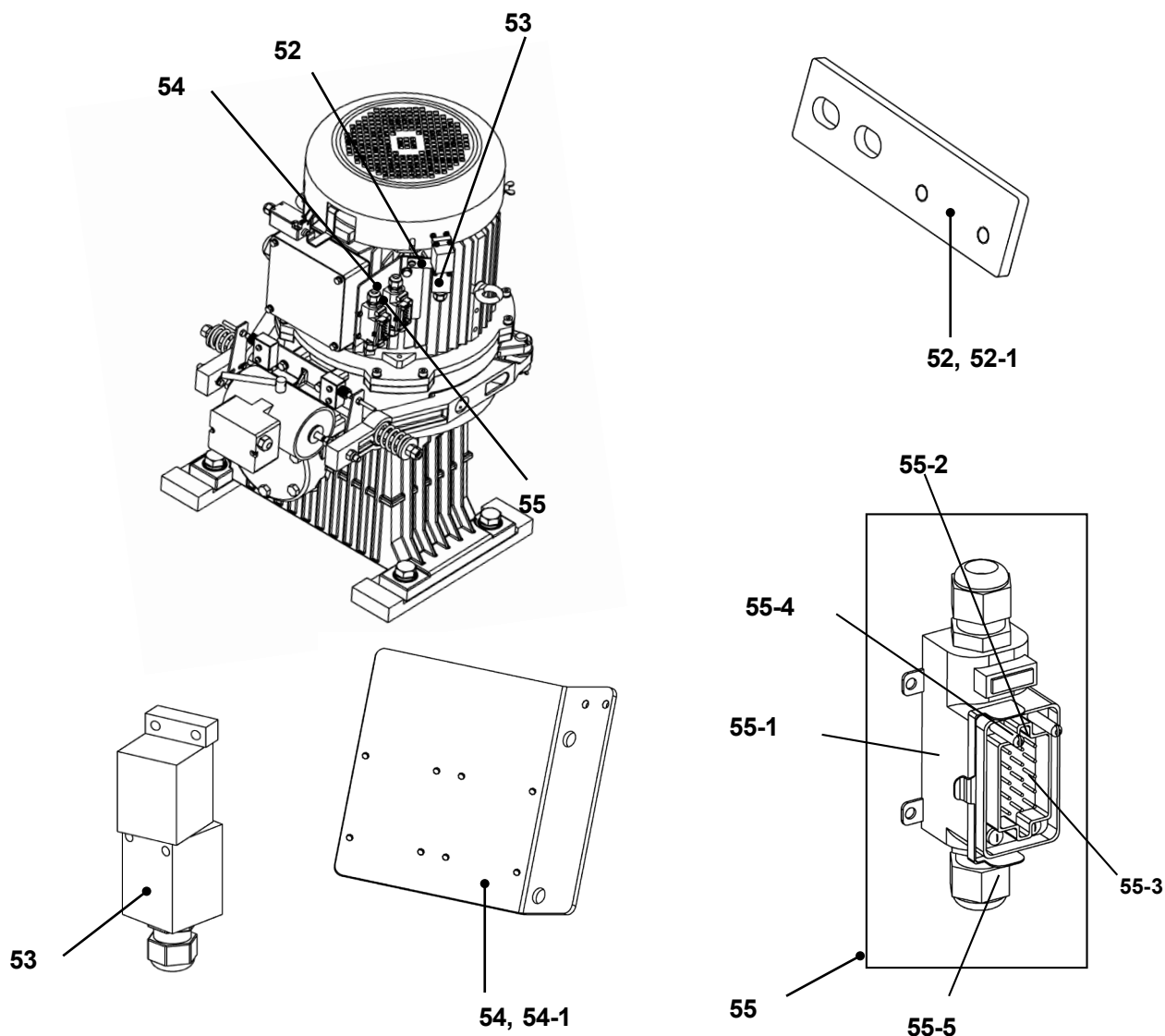
**Spare Parts Leaflet**  
**06-DBA20401K**



DBA20401K			
REF. No.	PART No.	DESCRIPTION	
48	DAA195BM1	Sprocket, machine teeth 23,indoor	For 512 NCE
49	DAA195BM4	Sprocket, machine teeth 19,indoor	For 508 NCE
76	DAA195BM101	Sprocket, machine teeth 23,outdoor/semi-outdoor	For 512 NCE
77	DAA195BM104	Sprocket, machine teeth 19,outdoor/semi-outdoor	For 508 NCE
50	DAA131AJ1	Sprocket holder	
51	ISO4017M20X40_8 8Z	Hexagon head screw	

# ESCALATOR MACHINE EC-W1

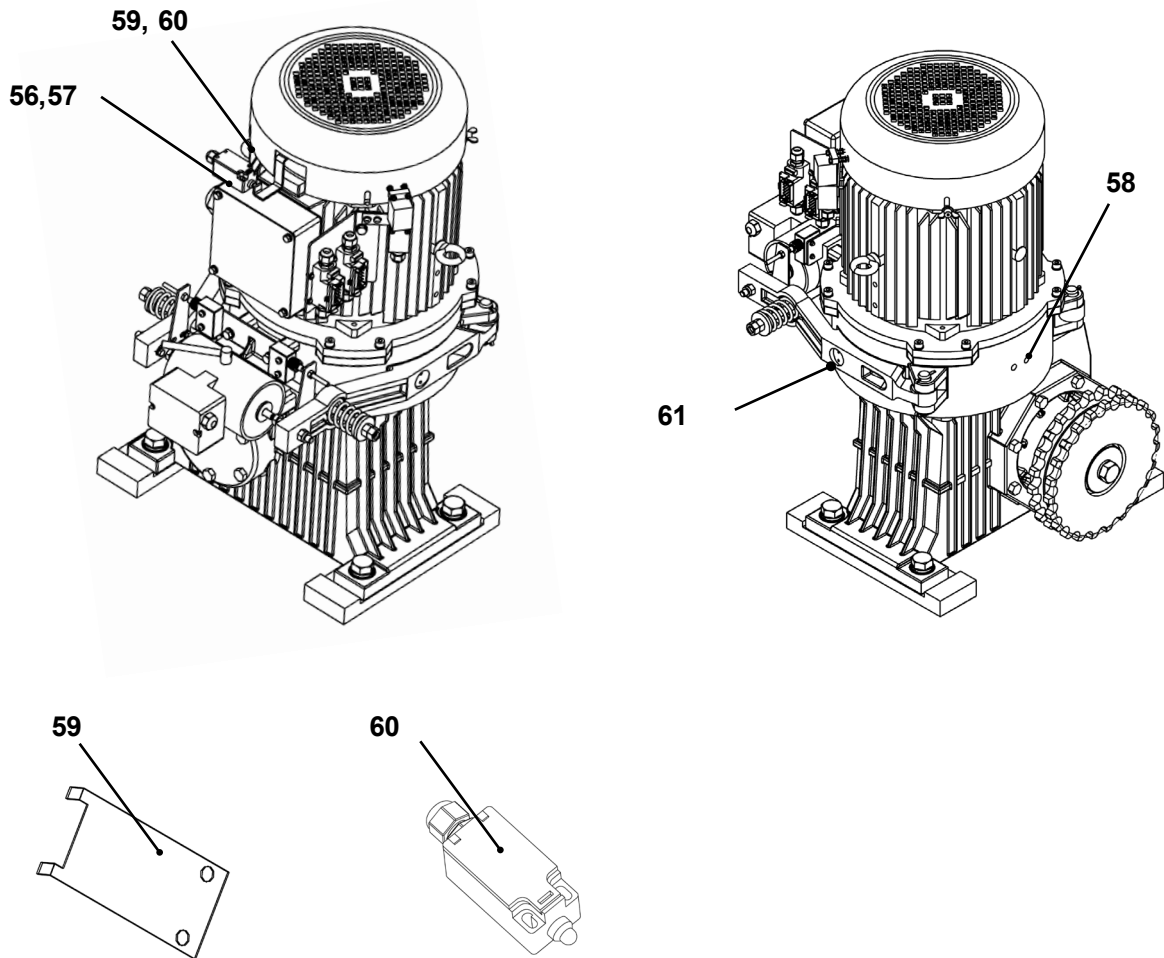
## Spare Parts Leaflet 06-DBA20401K



DBA20401K		
REF. No.	PART No.	DESCRIPTION
52	DAA316ACX1	Bracket of hand wheel safety device, indoor
52-1	DAA316ACX2	Bracket of hand wheel safety device, outdoor & semi-outdoor
53	DAA177AF1	Hand wheel safety switch
54	DAA316APR1	Bracket of connector subassembly, indoor
54-1	DAA316APR101	Bracket of connector subassembly, outdoor & semi-outdoor
55	DAA176BB1	Connector (Assembly, vendor: Wain)
55-1	DAA396R1	Connector housing (vendor: Wain)
55-2	DAA176Y1	Connector socket (vendor: Wain)
55-3	DAA614L2	Connector plug (vendor: Wain)
55-4	DAA614M1	Locating piece (vendor: Wain)
55-5	DAA444E1/2/3	Plug

# ESCALATOR MACHINE EC-W1

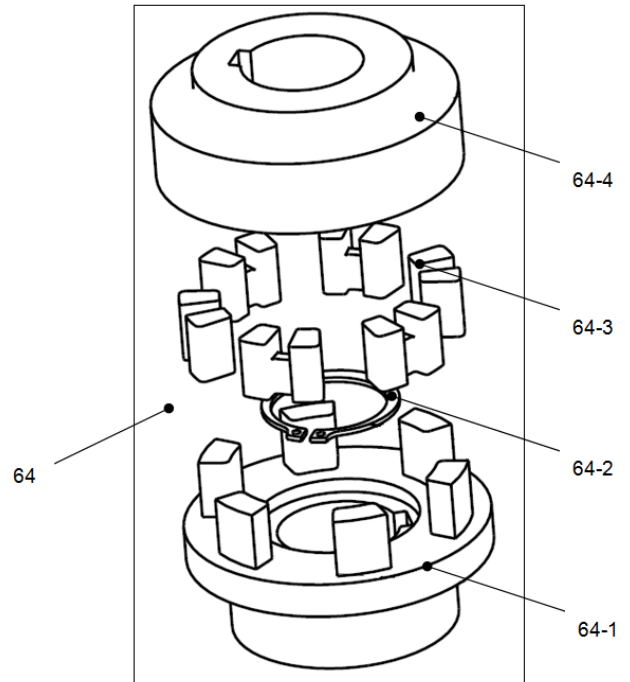
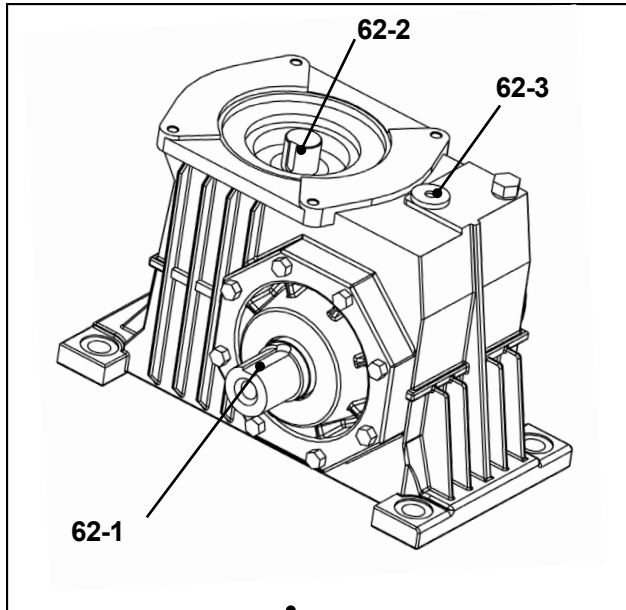
**Spare Parts Leaflet**  
**06-DBA20401K**



DBA20401K		
REF. No.	PART No.	DESCRIPTION
56	DAA174AFW1	Motor power supply cable, 6xAWG11 + PE
57	DAA174AFW11	Brake power supply cable, 2Xawg18 + PE
58	DAA27086E2	Machine speed sensors
59	GAA316CXD42	Bracket of over speed device
60	DAA177BX4	Over speed switch
61	DAA27086E4	Brake lining wear device

# ESCALATOR MACHINE EC-W1

## Spare Parts Leaflet 06-DBA20401K

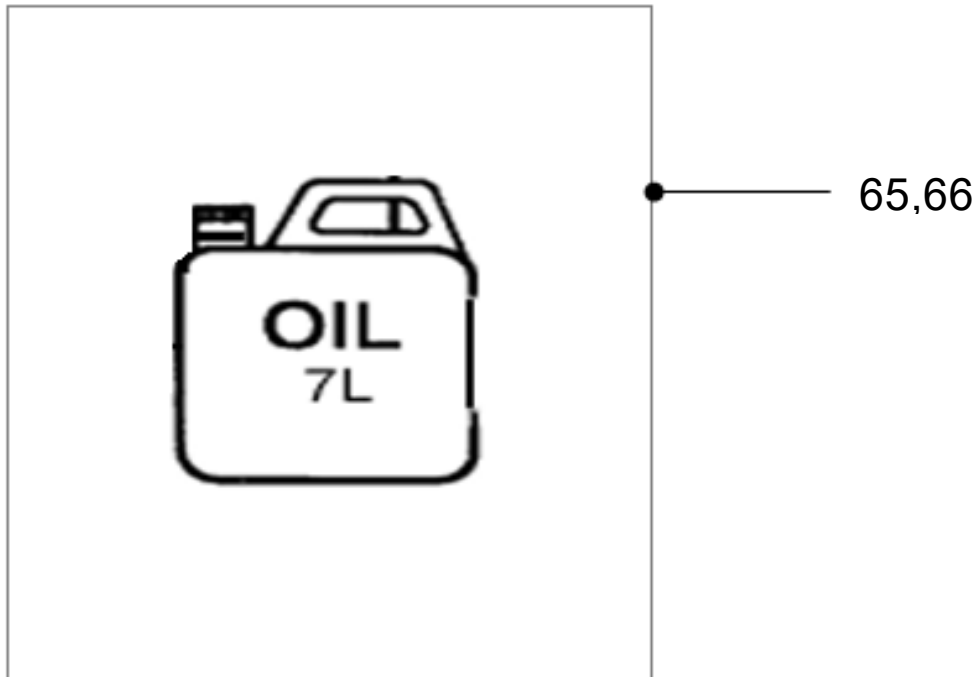


62, 63

DBA20401K		
REF. No.	PART No.	DESCRIPTION
62	DAA20000V1	Tsubaki Emerson gearbox, FTJ125AR-2, 24.5:1 Indoor
63	DAA20000V101	Tsubaki Emerson gearbox, FTJ125AR-2, 24.5:1 Outdoor/semi-outdoor
62-1	DIN6885A16X10X63	Key
62-2	DIN6885B10X8X50	Key
62-3	DAA20000V1-OIL-PUG	Ventilation oil plug
64	DAA218AM1	EC-W1 coupling assembly
64-1	DAA218AN1	Coupling upper
64-2	DIN471_38_480HV_B	Retaining Ring
64-3	DAA320BA1	Rubber buffer
64-4	DAA218S1	Coupling lower

**ESCALATOR  
MACHINE EC-W1**

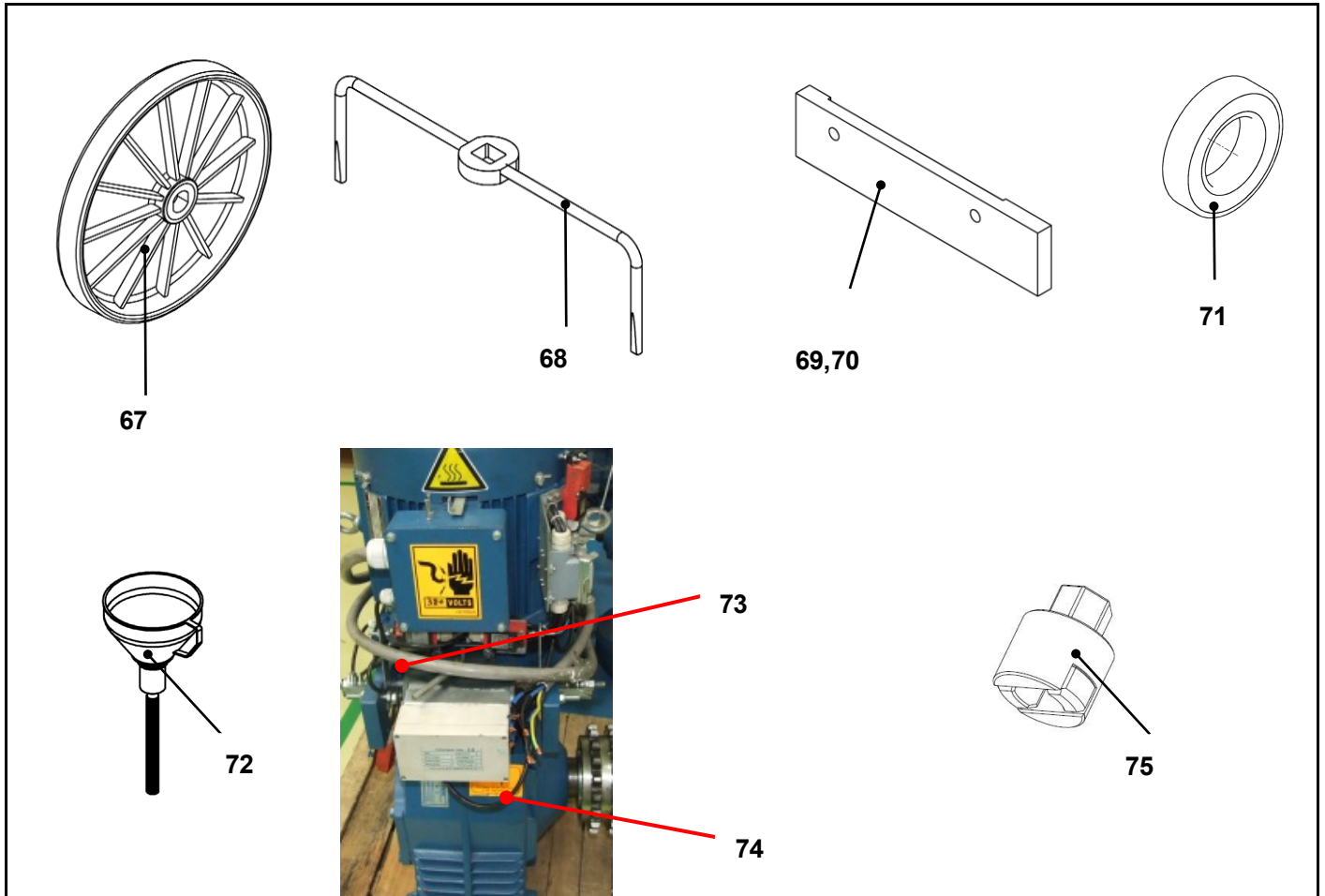
**Spare Parts Leaflet  
06-DBA20401K**



DBA20401K		
REF. No.	PART No.	DESCRIPTION
65	GAA33BG1	Oil for 9kW, 7L, Mobil Glygoyle 460
66	GAA33BG4	Oil for 7.5kW, 7L, Mobilgear 600XP 460

# ESCALATOR MACHINE EC-W1

**Spare Parts Leaflet**  
**06-DBA20401K**



REF. No.	PART No.	DESCRIPTION
67	GAA28JC1	Hand wheel
68	DAA20250L1	Brake release tool
69	DAA180GX1	Machine bottom plate, Indoor
70	DAA180GX101	Machine bottom plate, outdoor/semi-outdoor
71	NSK-6210ZZ	EC-W1 motor bearing
72	DAA349A1	Funnel tube
73	DAA174AFW1	Motor power supply cable
74	DAA174AFW11	Brake magnet power supply cable
75	DAA270AK1	Wrench adapter

Note: Last REF. No.: 80