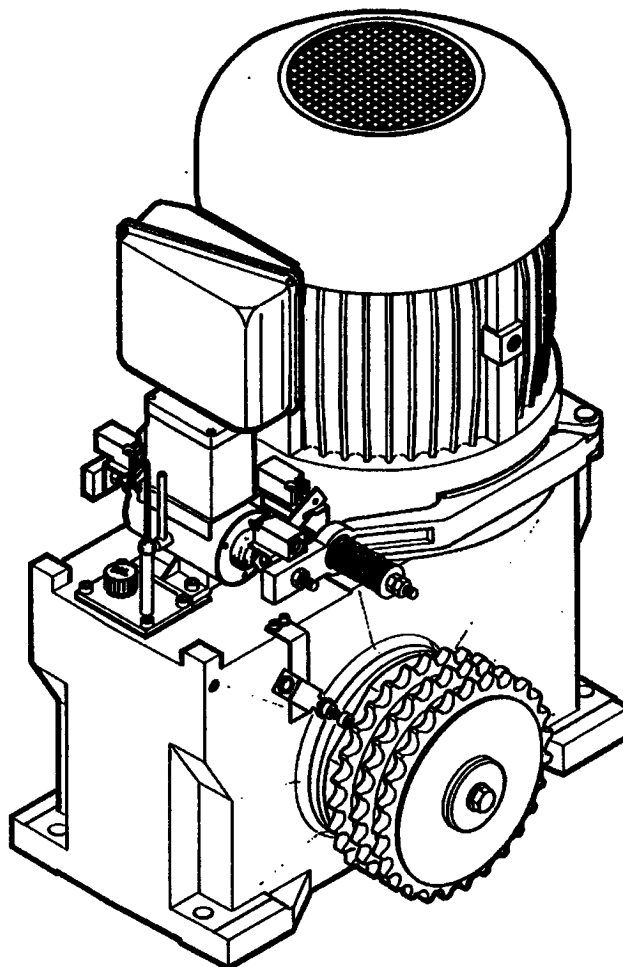
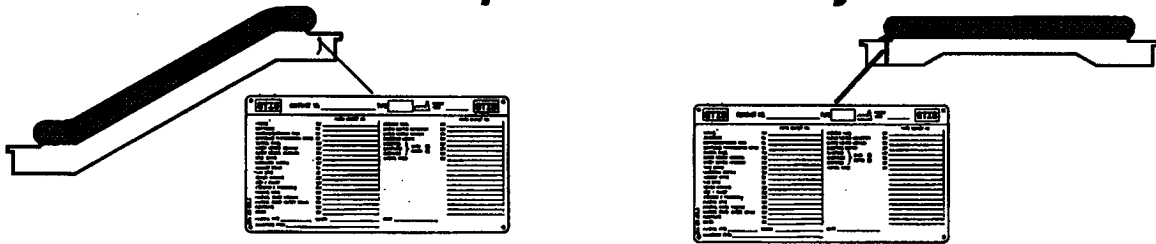


MACHINE ESCALATOR / MACHINE TRAV-O-LATOR CHAIN - / GEAR DRIVE EC 203

* 06-G..20401B

for replacements only



OTIS

TYPE TAG GEARBOX
PLAQUE DE CARACTERISTIQUES L'ENGRENAGE
GETRIEBETYPENSCHILD
TARGA DATI DELL'INGRANAGGIO
CHAPA DE CHARACTERISTICAS DEL ENGRANAJE

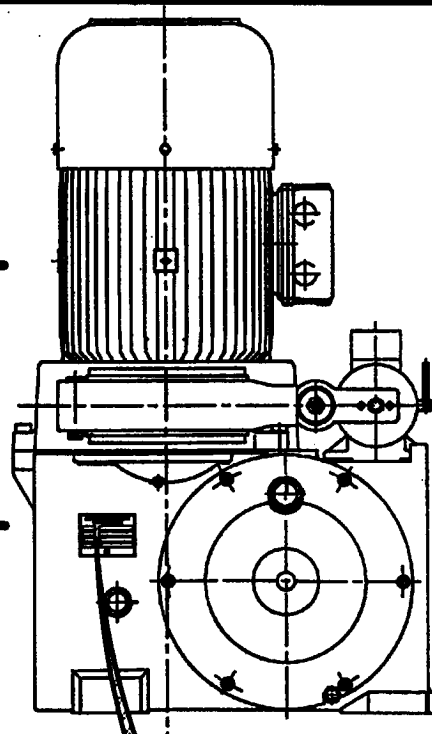
OMS NO GEAR
OMS NO L'ENGRENAGE
OMS NR GETRIEBE
OMS NO DELL'INGRANAGGIO
OMS NO DEL ENGRANAJE

DELIVERY DATE
DATE DE LIVRAISON
LIEFERDATUM
DATI DE CONSENGA
FECHA DE ENTREGA

CONTRACT NUMBER
NOMBRE DE COMMANDE
AUFTRAGSNUMMER
NUMERO DI CONTRATTO
NUMERO DE CONTRATTO

TYPE OF GEAR
TYPE DE L'ENGRANAGE
GETRIEBETYP
TIPPI DELL'INGRANAGGIO
TIPOS DE ENRANAJE

GEAR RATIO
RAPPORT DE REDUCTION
GETRIEBEÜBERSETZUNG
RAPPORTO DI RIDUZIONE
RELACION DE DESMULTI-
PLICATION DEL ENGRANAJE



FRANZÖSISCHER
FAHRER
GERÄT

| | |
|---------|-------|
| OMS NO | _____ |
| DELIV-D | _____ |
| UNIT NO | _____ |
| TYPE | _____ |
| RATIO | _____ |

GAA 20401 B

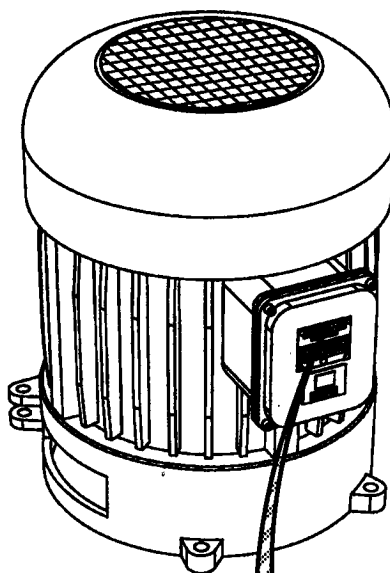
REF.NO.

PART OR M.L.

DESCRIPTION

TYPE TAG MOTOR
PLAQUE DE CARACTERISTIQUES MOTEUR
MOTORTYPENSCHILD
TARGA DATI DI MOTORE
CHAPA DE CHARACTERISTICAS DE MOTOR

OMS NO MOTOR
 OMS NO MOTEUR
 OMS NR MOTOR
 OMS NO MOTORE
 OMS NO MOTOR



DELIVERY DATE
 DATE DE LIVRAISON
 LIEFERDATUM
 DATI DE CONSENZA
 FECHA DE ENTREGA

CONTRACT NUMBER
 NOMBRE DE COMMANDE
 AUFTRAGSNUMMER
 NUMERO DI CONTRATTO
 NUMERO DE CONTRATTO

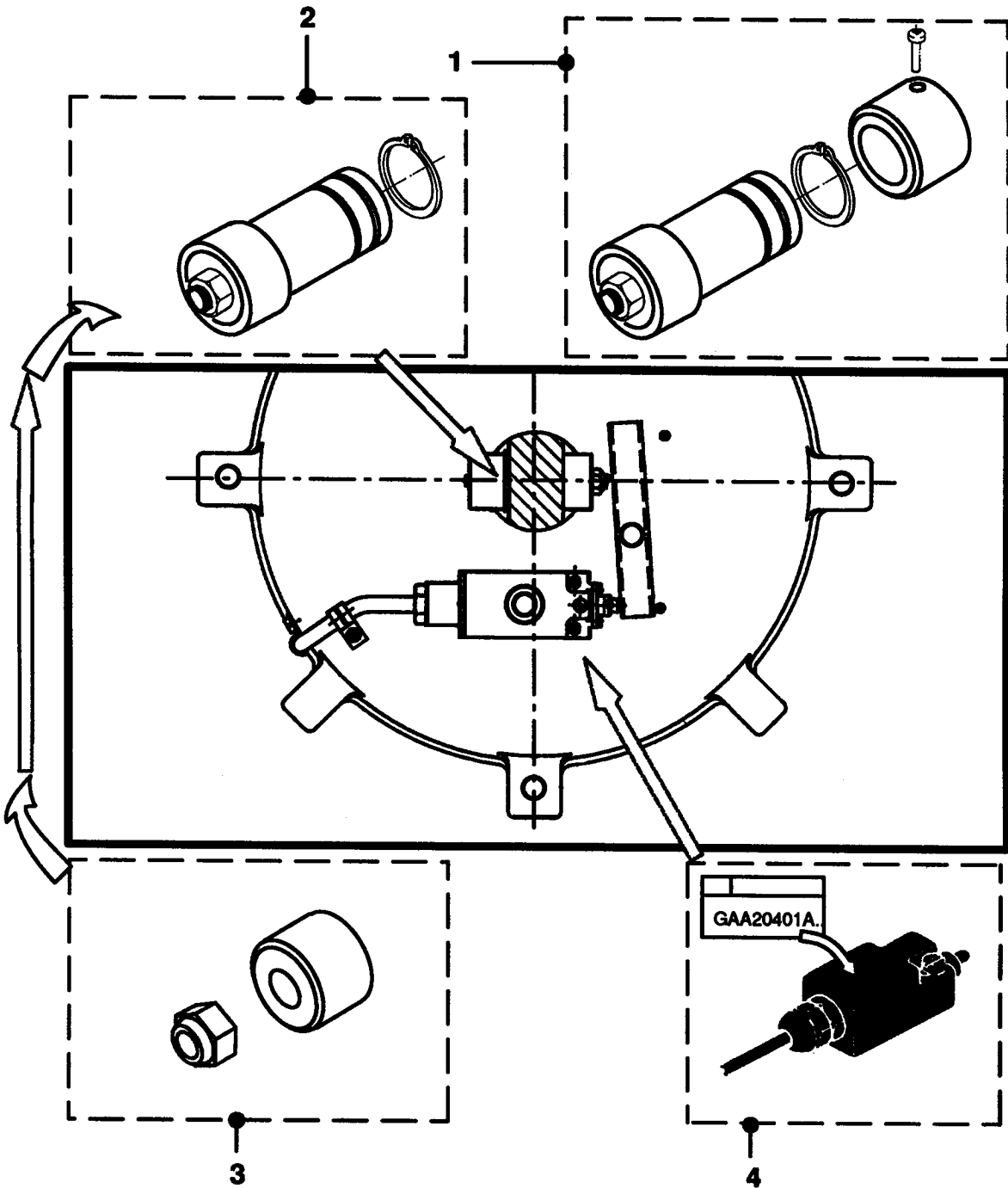
TYPE OF MOTOR
 TYPE DE MOTEUR
 MOTORTYP
 TIPI DE MOTORE
 TIPOS DE MOTOR

kW _____
 V _____
 Hz _____

| | |
|------------|---------------|
| OMS NO | _____ |
| DELIV-D | _____ |
| UNIT NO | _____ |
| TYPE | _____ |
| KW | _____ |
| S6 | _____ |
| _____ HZ | _____ V |
| _____ A | COS PHI _____ |
| | _____ /MM |
| INSUL CL F | 105° C |
| PROTEC CL | IP55 |

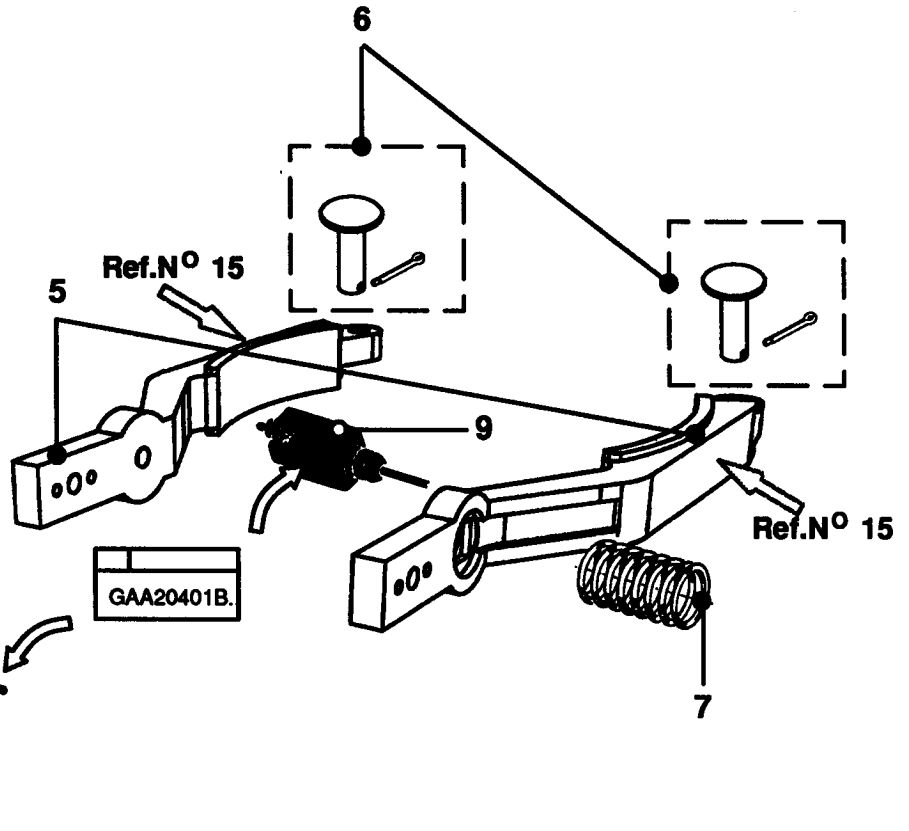
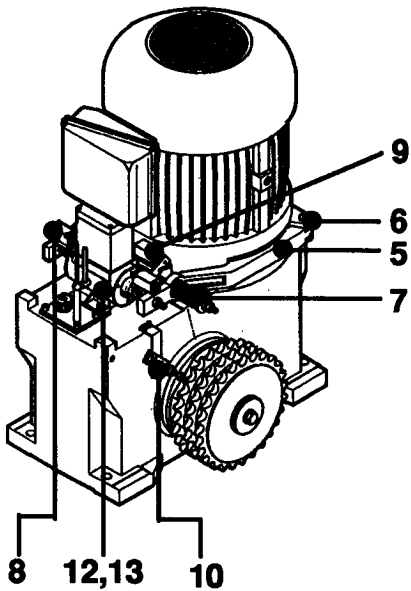
GAA 20401 B

| REF.NO. | PART OR M.L. | DESCRIPTION |
|---------|--------------|-------------|
|---------|--------------|-------------|



GAA 20401 B

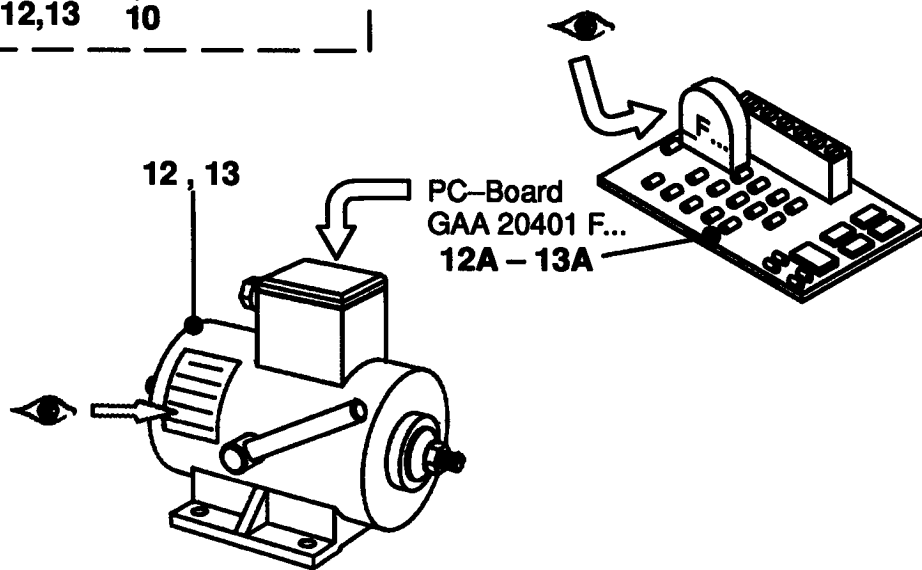
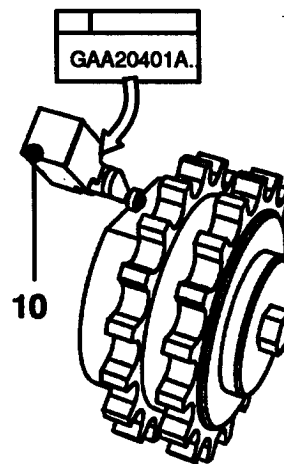
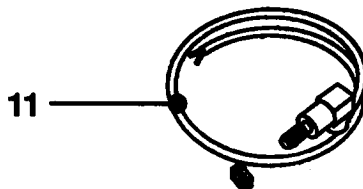
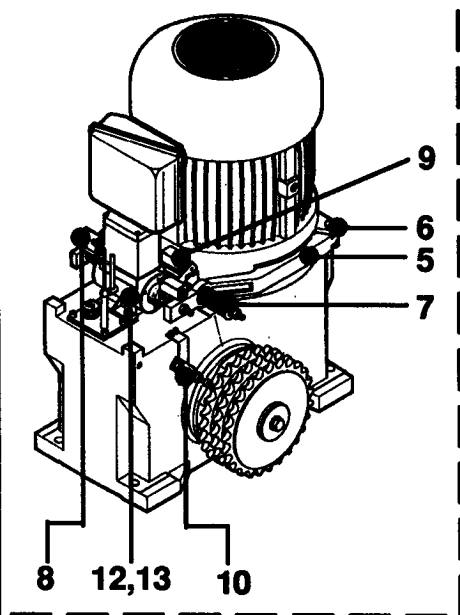
| REF.NO. | PART OR M.L. | DESCRIPTION |
|---------|-----------------|---|
| 1 | GAA 20401 A 500 | * Overspeed Governor 50 Hz Motor Type 160 |
| | GAA 20401 A 501 | * Overspeed Governor 60 Hz Motor Type 160 |
| 2 | GAA 20401 B 502 | * Overspeed Governor 50 Hz Motor Type 225 |
| | GAA 20401 B 503 | * Overspeed Governor 60 Hz Motor Type 225 |
| 3 | GO 2000 BG 1 | Test set for Overspeed Governor |
| 4 | GAA 20401 A 505 | * Overspeed Governor Switch |



GAA 20401 B

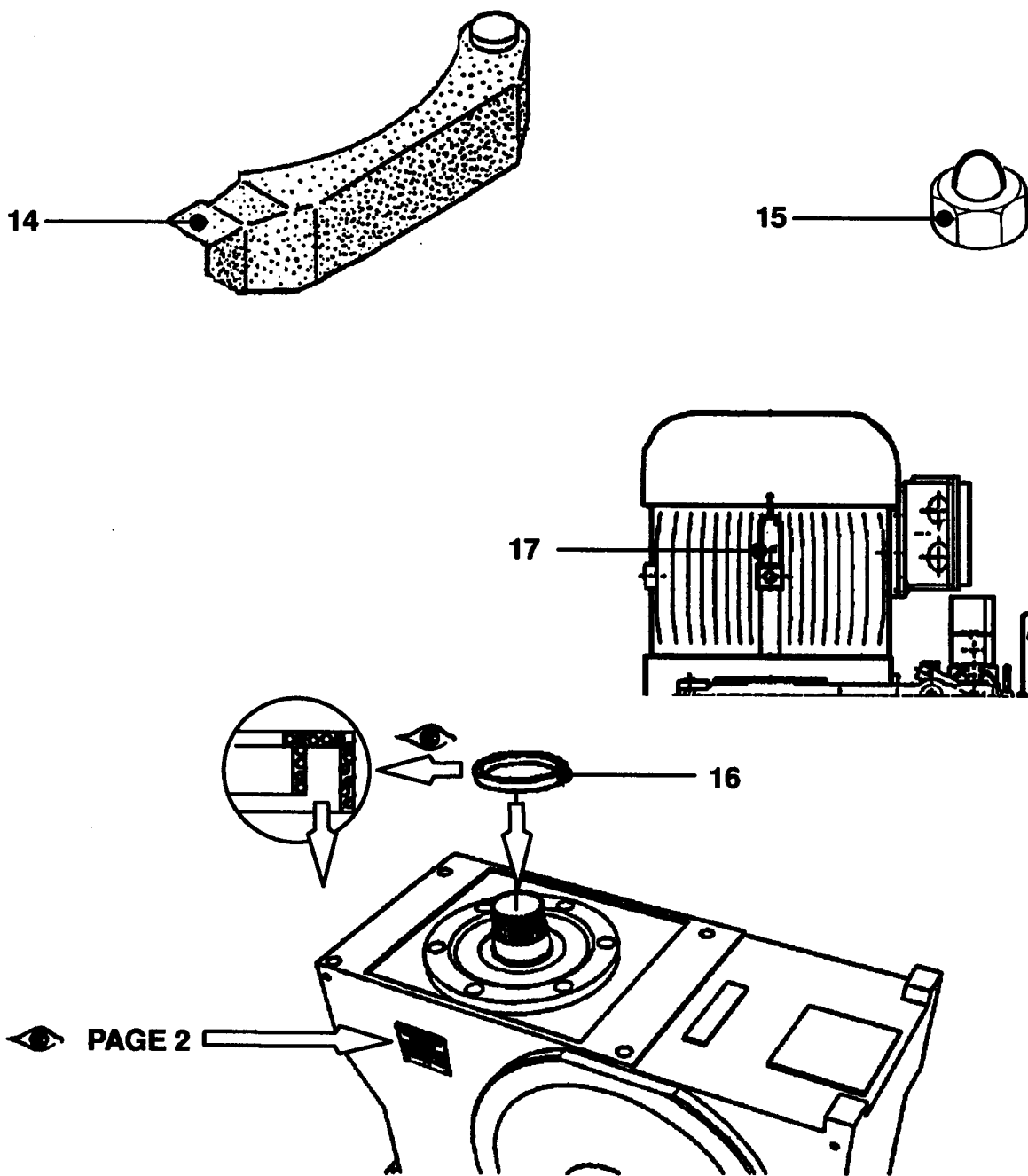
| REF.NO. | PART OR M.L. | DESCRIPTION |
|---------|-------------------|--|
| 5 | GAA 20401 B 505 * | Set : Brake Lever Motor Type 160 |
| | GAA 20401 B 506 * | Set : Brake Lever Motor Type 225 |
| | GAA 20401 B 507 * | Set : Brake Lever Motor Type 160 (w brake lining wear control contact) |
| | GAA 20401 B 508 * | Set : Brake Lever Motor Type 225 (w brake lining wear control contact) |
| 6 | GAA 20401 A 507 ↻ | Set: Pin & Cotter pin |
| 7 | GAA 20401 A 508 ↻ | Spring |
| 8 | GAA 20401 B 512 ↻ | Brake Lining Wear Switch |
| 9 | GAA 20401 B 512 | Brake Function Switch |

page 3



GAA 20401 B

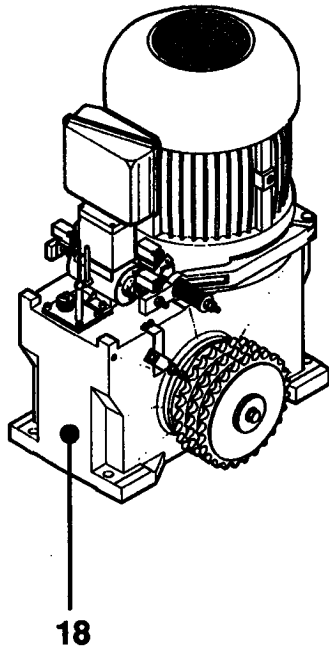
| REF.NO. | PART OR M.L. | DESCRIPTION |
|---------|-----------------|--|
| 10 | GAA 20401 B 513 | Friction Reversing Switch |
| | GAC 20401 A 513 | |
| 11 | GAA 20401 B 515 | Impuls Generator M 12 x 1 (for breaking distance emergency device ,NRD) |
| | GAA 20401 A 515 | |
| 12 | GAA 20401 B 520 | Brake Solenoid GO222P5 / M3 230V |
| | GAA 20401 C 502 | |
| | GAA 20401 F 552 | |
| 12A | GAA 20401 F 582 | PC - Board for GAA 20401 F 552 |
| 13 | GAA 20401 B 521 | Brake Solenoid GO222P2 / M2 230V |
| | GAA 20401 F 551 | |
| 13A | GAA 20401 F 581 | PC - Board for GAA 20401 F 551 |
| 13 | GAA 20401 B 522 | Brake Solenoid GO222P8 230V |
| | GAA 20401 F 555 | |
| 13A | GAA 20401 F 581 | PC - Board for GAA 20401 F 555 |



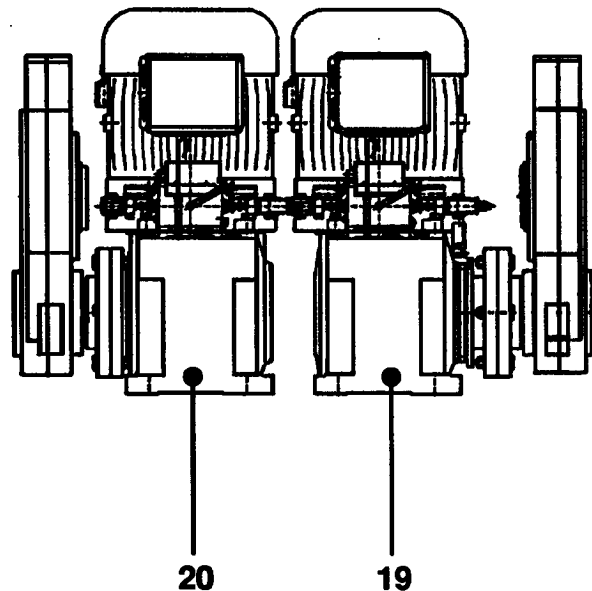
GAA 20401 B

| REF.NO. | PART OR M.L. | DESCRIPTION |
|---------|-----------------|---|
| 14 | GAA 20401 B 530 | Brake Lever Cover Motor Type 160 |
| | GAA 20401 B 531 | Brake Lever Cover Motor Type 225 |
| | GAA 20401 B 532 | Brake Lever Cover Motor Type 160 (w Holes for Brake Lining Wear Contact) |
| | GAA 20401 B 533 | Brake Lever Cover Motor Type 225 (w Holes for Brake Lining Wear Contact) |
| 15 | GAA 20401 B 534 | Set : Cap for Brake Lining Wear Switch |
| 16 | GAA 20401 B 540 | Worm Shaft Seal |
| 17 | GAA 20401 B 541 | Hand Wheel Safety Switch |

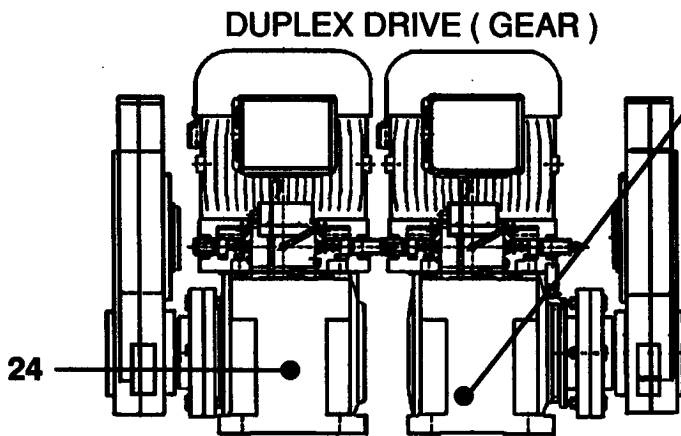
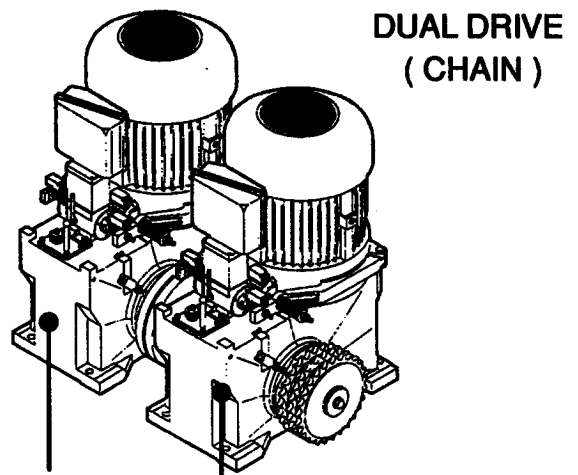
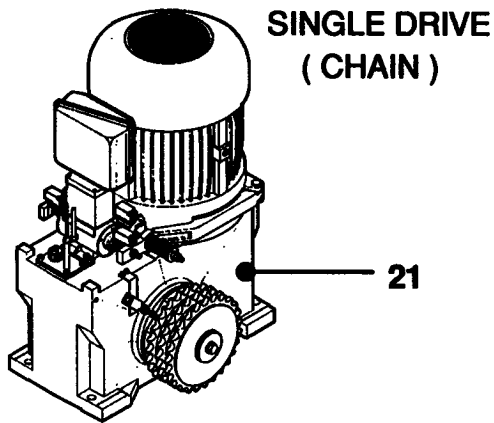
**SINGLE DRIVE
(CHAIN)**



DUPLEX DRIVE (GEAR)

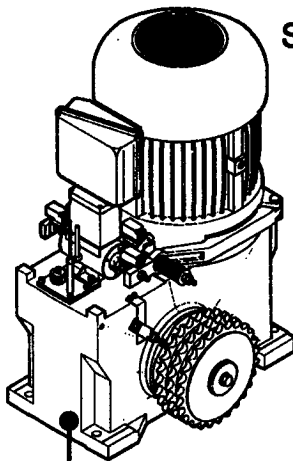


| GAA 20401 B | | |
|---|---------------------|---|
| REF.NO. | PART OR M.L. | DESCRIPTION |
| ESCALATOR motor type 160 (P ≤ 11,7 kW) | | |
| 18 | GAA 20401 B 542 | Gear Case (Single Drive) i = 20,0 : 1 |
| | GAA 20401 B 543 | Gear Case (Single Drive) i = 26,5 : 1 |
| | GAA 20401 B 544 | Gear Case (Single Drive) i = 31,0 : 1 |
| 19 | GAA 20401 B 545 | Gear Case (Coupling Machine left side for Intermediate Gear) i = 20,0 : 1 |
| | GAA 20401 B 546 | Gear Case (Coupling Machine left side for Intermediate Gear) i = 26,5 : 1 |
| | GAA 20401 B 547 | Gear Case (Coupling Machine left side for Intermediate Gear) i = 31,0 : 1 |
| 20 | GAA 20401 B 548 | Gear Case (Coupling Machine right side for Intermediate Gear) i = 20,0 : 1 |
| | GAA 20401 B 549 | Gear Case (Coupling Machine right side for Intermediate Gear) i = 26,5 : 1 |
| | GAA 20401 B 550 | Gear Case (Coupling Machine right side for Intermediate Gear) i = 31,0 : 1 |



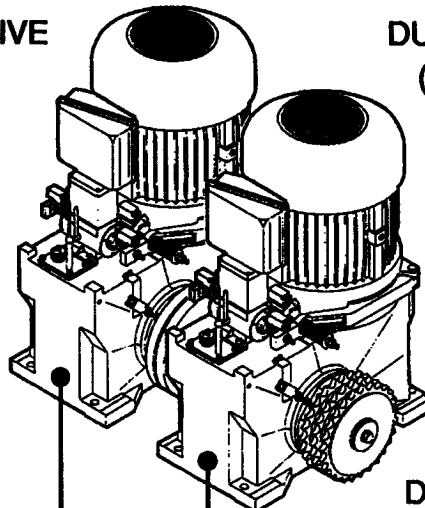
GAA 20401 B

| REF.NO. | PART OR M.L. | DESCRIPTION |
|--|-----------------|--|
| ESCALATOR motor type 225 (P > 11,7 kW) | | |
| 21 | GAA 20401 B 560 | Gear Case (Single Drive) i = 20,0 : 1 |
| | GAA 20401 B 561 | Gear Case (Single Drive) i = 26,5 : 1 |
| | GAA 20401 B 562 | Gear Case (Single Drive) i = 31,0 : 1 |
| 22 | GAA 20401 B 563 | Gear Case (Dual Drive Chain Machine) i = 20,0 : 1 |
| | GAA 20401 B 564 | Gear Case (Dual Drive Chain Machine) i = 26,5 : 1 |
| | GAA 20401 B 565 | Gear Case (Dual Drive Chain Machine) i = 31,0 : 1 |
| 23 | GAA 20401 B 566 | Gear Case (Coupling Machine left side for Dual Drive & Duplex Drive) i = 20,0 : 1 |
| | GAA 20401 B 567 | Gear Case (Coupling Machine left side for Dual Drive & Duplex Drive) i = 26,5 : 1 |
| | GAA 20401 B 568 | Gear Case (Coupling Machine left side for Dual Drive & Duplex Drive) i = 31,0 : 1 |
| 24 | GAA 20401 B 569 | Gear Case (Coupling Machine right side for Intermediate Gear) i = 20,0 : 1 |
| | GAA 20401 B 570 | Gear Case (Coupling Machine right side for Intermediate Gear) i = 26,5 : 1 |
| | GAA 20401 B 571 | Gear Case (Coupling Machine right side for Intermediate Gear) i = 31,0 : 1 |



**SINGLE DRIVE
(CHAIN)**

25

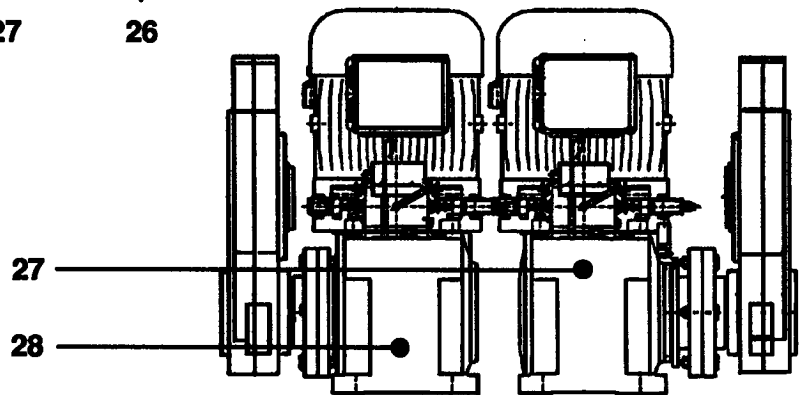


**DUAL DRIVE
(CHAIN)**

27

26

DUPLEX DRIVE (GEAR)



27

28

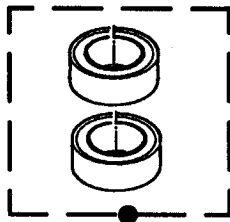
GAA 20401 B

| REF.NO. | PART OR M.L. | DESCRIPTION |
|---------|-----------------|---|
| | | TRAVOLATOR <math>10^0</math> Incline angle motor type 225 (P > 11,7 kW) |
| 25 | GAA 20401 B 580 | Gear Case (Single Drive) $i = 20,0 : 1$ |
| | GAA 20401 B 581 | Gear Case (Single Drive) $i = 26,5 : 1$ |
| | GAA 20401 B 582 | Gear Case (Single Drive) $i = 31,0 : 1$ |
| 26 | GAA 20401 B 583 | Gear Case (Dual Drive Chain Machine) $i = 20,0 : 1$ |
| | GAA 20401 B 584 | Gear Case (Dual Drive Chain Machine) $i = 26,5 : 1$ |
| | GAA 20401 B 585 | Gear Case (Dual Drive Chain Machine) $i = 31,0 : 1$ |
| 27 | GAA 20401 B 586 | Gear Case (Coupling Machine left side for Dual Drive & Duplex Drive) $i = 20,0 : 1$ |
| | GAA 20401 B 587 | Gear Case (Coupling Machine left side for Dual Drive & Duplex Drive) $i = 26,5 : 1$ |
| | GAA 20401 B 588 | Gear Case (Coupling Machine left side for Dual Drive & Duplex Drive) $i = 31,0 : 1$ |
| 28 | GAA 20401 B 589 | Gear Case (Coupling Machine right side for Dual Drive & Duplex Drive) $i = 20,0 : 1$ |
| | GAA 20401 B 590 | Gear Case (Coupling Machine right side for Dual Drive & Duplex Drive) $i = 26,5 : 1$ |
| | GAA 20401 B 591 | Gear Case (Coupling Machine right side for Dual Drive & Duplex Drive) $i = 31,0 : 1$ |

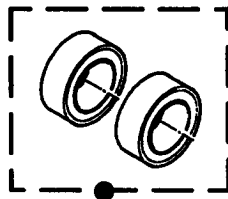
**MACHINE ESCALATOR / TRAVOLATOR
CHAIN - / GEAR DRIVE EC 203**

06 | G..20401 B

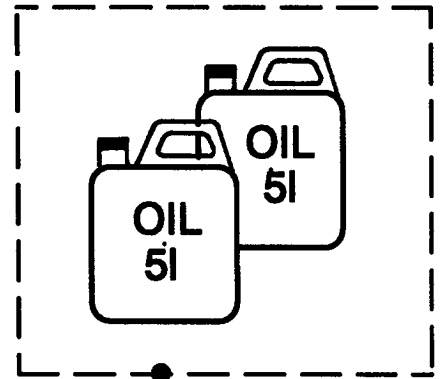
DATE: APRIL 1999 PAGE 11/13



29 , 30



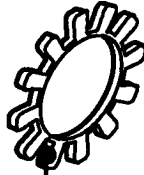
32 , 33



36



31




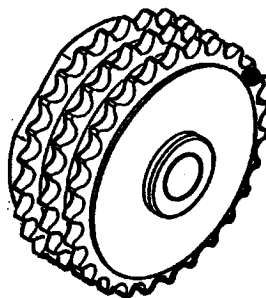
34



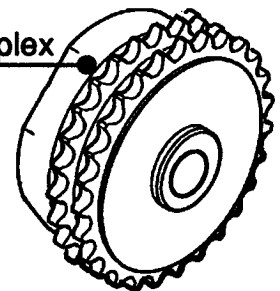
35

GAA 20401 B

| REF.NO. | PART OR M.L. | DESCRIPTION |
|---------|-----------------|--|
| 29 | GAA 20401 B 595 | KIT : Gear Bearing Worm Shaft (Motor Type 160 & 225) |
| 30 | GAA 20401 B 596 | KIT : Gear Bearing Worm Shaft Travolator (Motor Type 225) |
| 31 | GAA 20401 B 597 | Buffer for Dual Drive & Intermediate Gear (12 Piece compl. w ) |
| 32 | GAA 20401 B 760 | KIT : Bearing Motor Type 160 |
| 33 | GAA 20401 B 761 | KIT : Bearing Motor Type 225 |
| 34 | GAA 20401 B 762 | Motor Coupling Clutch Buffer-Ring (only Motor Type 160) |
| 35 | GAA 20401 B 763 | KIT : Distance Washer (Gear) |
| 36 | GAA 20401 A 534 | Oil , 2 x 5 l Synthetic oil : Klüber Syntheso HT 150 (FO16) |



1 1/4" Triplex
1 1/2" Triplex 38



1 1/4" Duplex 37

| | | NO. of TEETH | | | | | | | | | | |
|----------------|----------------|--------------|--------|--------|--------|--------|--------|--------|--------|--------|--------|--------|
| GAA 20401 B... | | 17 | 18 | 19 | 20 | 21 | 22 | 23 | 24 | 25 | 26 | 27 |
| CHAIN | | PART OR M.L. | | | | | | | | | | |
| 37 | 1 1/4" Duplex | ...601 | ...602 | ...603 | ...604 | ...605 | ...606 | ...607 | ...608 | ...609 | ...610 | ...611 |
| 38 | 1 1/4" Triplex | ...612 | ...613 | ...614 | ...615 | ...616 | ...617 | ...618 | ...619 | ...620 | ...621 | ...622 |
| | 1 1/2" Triplex | ...623 | ...624 | ...625 | ...626 | ...627 | ...628 | ...629 | ...630 | ...631 | ...632 | ...633 |

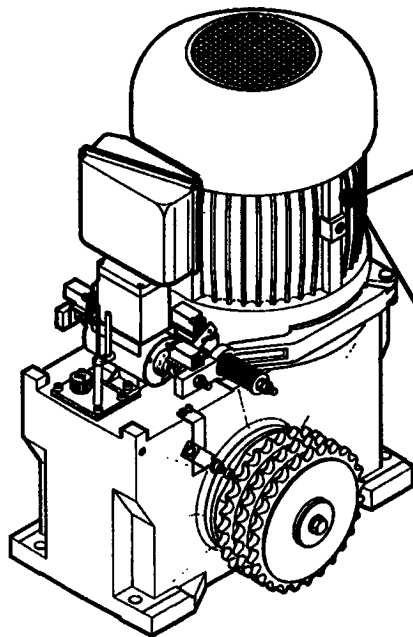
**MACHINE ESCALATOR / TRAVOLATOR
CHAIN - / GEAR DRIVE EC 203**

06

G..20401 B

DATE: APRIL 1999

PAGE: 12/13

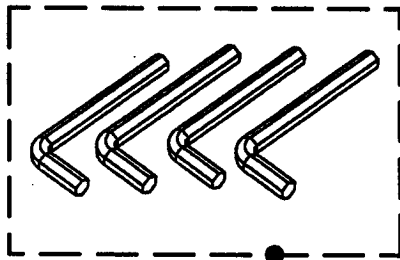


FREQUENCY 50HZ

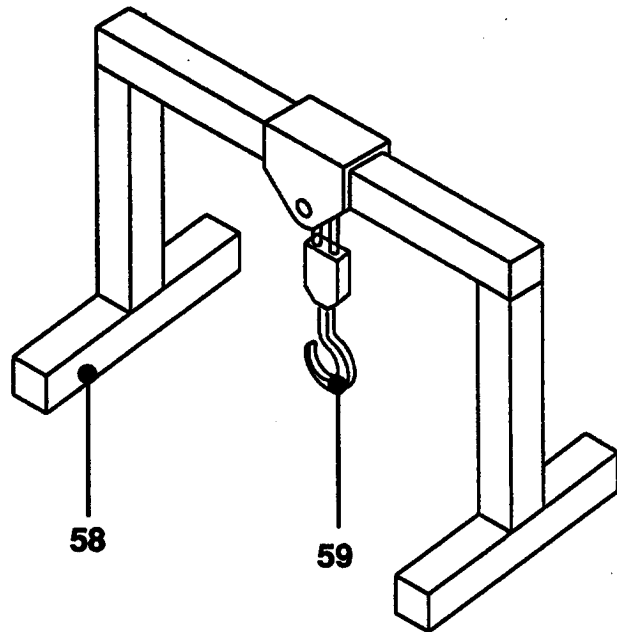
FREQUENCY 60 HZ

- Motor Type } 7,5kW ← 39
- 160 } 11,7kW ← 40
- Motor Type } 15,0kW ← 41
- 225 } 18,6kW ← 42
- 24,0kW ← 43
- Motor Type } 7,5kW ← 44
- 160 } 11,7kW ← 45
- Motor Type } 15,0kW ← 46
- 225 } 18,6kW ← 47
- 24,0kW ← 48

| | | FREQUENCY 50HZ | | | | | | | | | |
|---------|--------------|----------------|--------|--------|--------|---------------|---------|--------|---------|--------|--------|
| REF.NO. | PART OR M.L. | VOLTAGE (V) | | | | | | | | | |
| | | 200-208 | 220 | 350 | 380 | 400 IEC 38 | 400-415 | 440 | 460-480 | 575 | 600 |
| 39 | GAA 20401 B | ...650 | X | ...652 | ...653 | ...654 | ...655 | ...656 | ...657 | X | X |
| 40 | GAA 20401 B | ...660 | X | ...662 | ...663 | ...664 | ...665 | ...666 | ...667 | X | X |
| 41 | GAA 20401 B | ...670 | X | ...672 | ...673 | ...674 | ...675 | ...676 | ...677 | X | X |
| 42 | GAA 20401 B | ...680 | X | ...682 | ...683 | ...684 | ...685 | ...686 | ...687 | X | X |
| 43 | GAA 20401 B | ...690 | X | ...692 | ...693 | ...694 | ...695 | ...696 | ...697 | X | X |
| | | FREQUENCY 60HZ | | | | | | | | | |
| | PART OR M.L. | VOLTAGE (V) | | | | | | | | | |
| | | 200-208 | 220 | 350 | 380 | 400 IEC 38 | 400-415 | 440 | 460-480 | 575 | 600 |
| 44 | GAA 20401 B | ...700 | ...701 | X | ...703 | X | X | ...706 | ...707 | ...708 | ...709 |
| 45 | GAA 20401 B | ...710 | ...711 | X | ...713 | X | X | ...716 | ...717 | ...718 | ...719 |
| 46 | GAA 20401 B | ...720 | ...721 | X | ...723 | X | X | ...726 | ...727 | ...728 | ...729 |
| 47 | GAA 20401 B | ...730 | ...731 | X | ...733 | X | X | ...736 | ...737 | ...738 | ...739 |
| 48 | GAA 20401 B | ...740 | ...741 | X | ...743 | X | X | ...746 | ...747 | ...748 | ...749 |



55



58

59



51



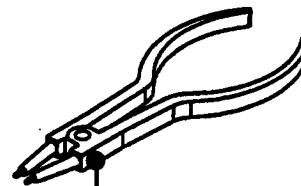
49



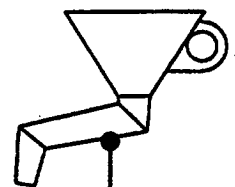
53



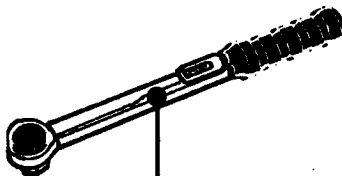
54



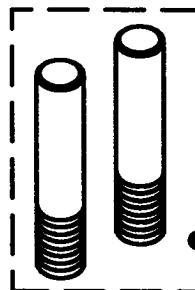
57



60



56



50

GAA 20401 B

| REF.NO. | PART OR M.L. | DESCRIPTION |
|---------|-----------------|---|
| 49 | GAA 20401 B 764 | Mounting paste |
| 50 | GAA 20401 B 765 | Set of guide screw (motor type 160) |
| 51 | GAA 20401 B 766 | Screw retaining paste |
| 52 | GAA 20401 B 767 | Set of special tools for replacement of worm shaft bearings |
| 53 | GAA 20401 B 768 | Grease for V-Seal |
| 54 | GAA 20401 B 769 | Sealing compound |
| 55 | GAA 20401 B 770 | Set of allen key |
| 56 | GAA 20401 B 771 | torque wrench 50-200 Nm |
| 57 | GAA 20401 B 772 | Retaining ring plier |
| 58 | GAA 20401 B 773 | Assembly stand |
| 59 | GAA 20401 B 774 | Lifting device |
| 60 | GAA 20401 B 775 | Funnel tube |