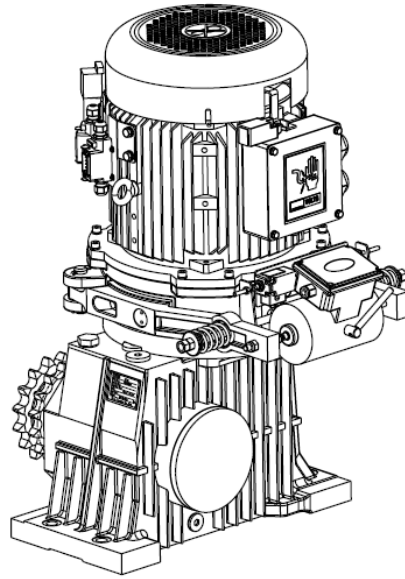
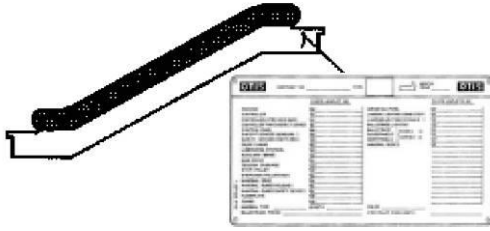


**ESCALATOR MACHINE EMC-W1-
ANSI
(7.5 / 9 kW)**

Spare Parts Leaflet

06-HAA20401L

March 2, 2023, Page 1 of 14



Unpublished Work—© Otis Elevator Co.

OTIS

Safety First!

**ESCALATOR ENGINEERING
Otis Elevator Company**

**ESCALATOR MACHINE EMC-W1-
ANSI
(7.5 / 9 kW)**

**Spare Parts Leaflet
06-HAA20401L
March 2, 2023, Page 2 of 14**

Leaflet Description

Machine EMC-W1 for Escalator Link.

Leaflet Revisions

Date Revised	Subject Matter Expert	Reason for Revision
2019-03-29	Alex Lu	Original document CNT1900378.
2020-03-06	Alex Lu	P8. Update brake lifting switch type CNT2000119.
2020-12-14	SUNNY PENG	P11, Add another bracket of connector subassembly. CNE2000972.
2022-09-23	Ling Huang	P8, change ref 34 to be DAA234J1-600, CNE2200425.
2023-03-02	Li Shengbo	P8, change the Part NO. of REF.NO.34, 35; change the description of REF.NO.36, 37, 38, 39. CNT2300186

Related Drawings

Drawing No.	Title	Drawing No.	Title
HAA20401L	Machine EMC-W1-ANSI-7.5/9kW		

Related Documents

Document ID	Title
HE0201R	Machine EMC-W1-ANSI-7.5/9kW ODS

Subject Matter Expert

Name	Department

About Spare Parts Leaflets

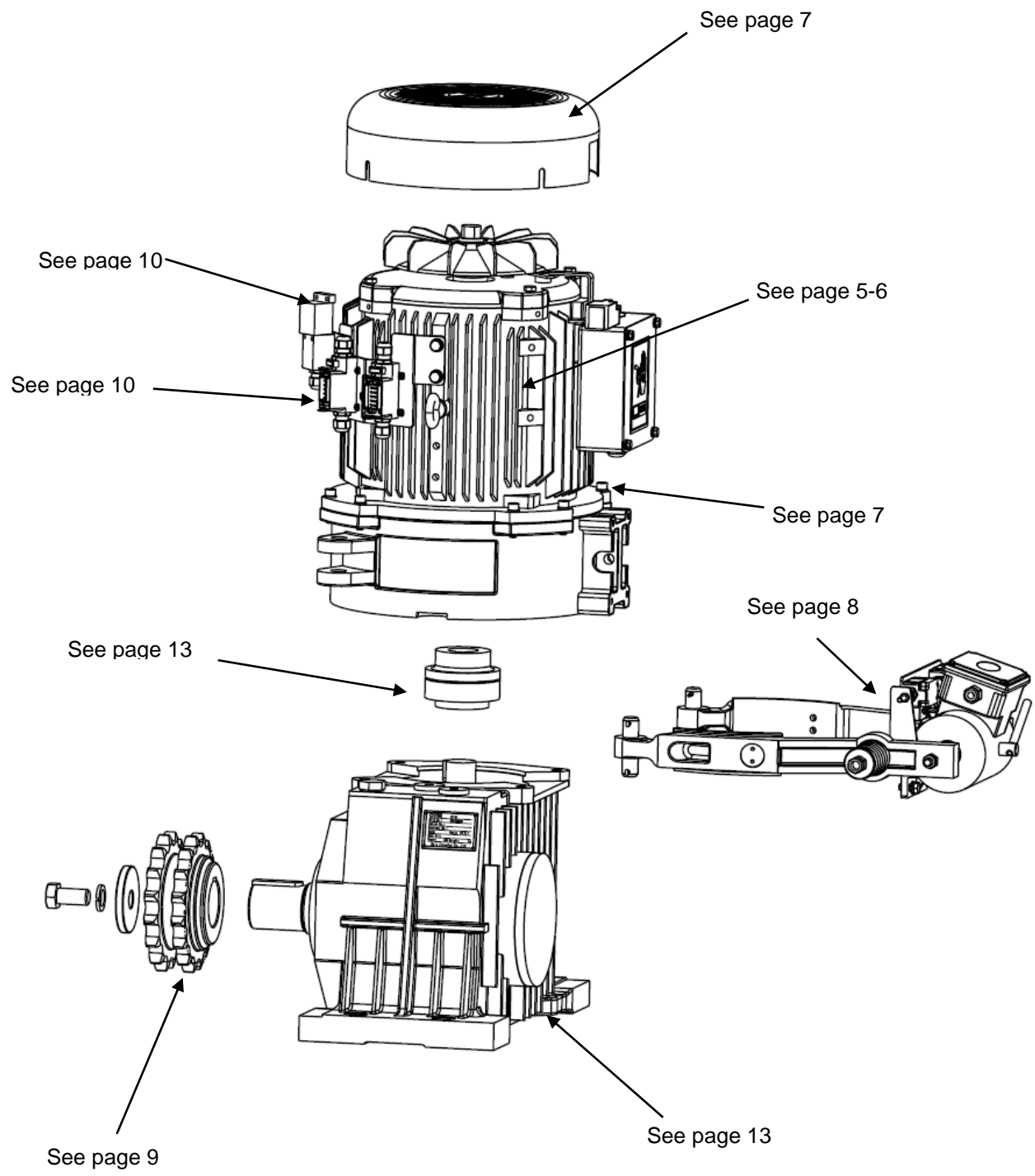
This document lists the lowest replaceable units (LRUs) for the standard version of the product. The LRUs are chosen by a team of Otis associates representing engineering and manufacturing.

While goal of this document is to make parts identification as easy as possible, the document cannot be all-inclusive. Elevator and escalator contracts classified as "special" or "custom" are not addressed here. For such contracts, please refer to specified information, the contract folder, TIPs, Field Education Articles, Construction Letters, etc. for further information.

If you have any suggestions about this document, please contact the subject matter expert listed on this page.

ESCALATOR MACHINE EMC-W1-ANSI
(7.5 / 9 kW)

Spare Parts Leaflet
06-HAA20401L
March 2, 2023, Page 3 of 14

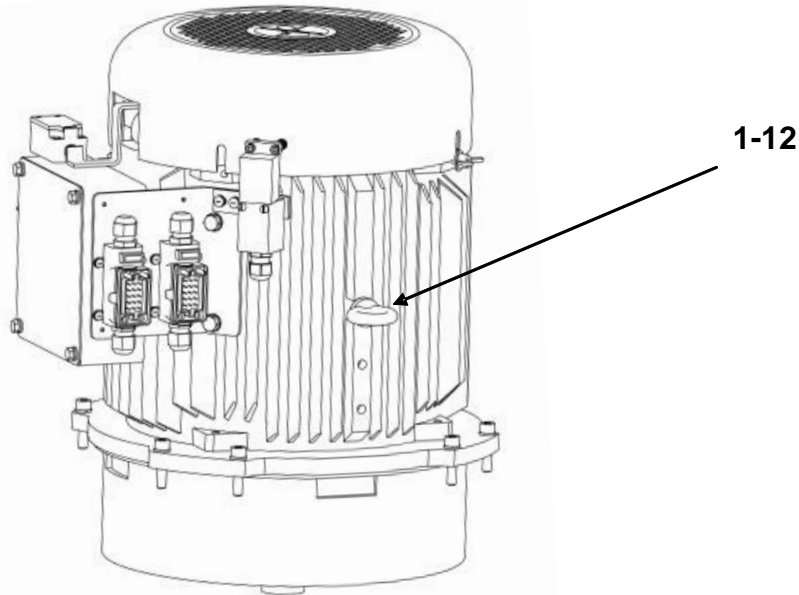


**ESCALATOR MACHINE EMC-W1-
ANSI
(7.5 / 9 kW)**

Spare Parts Leaflet

06-HAA20401L

March 2, 2023, Page 4 of 14



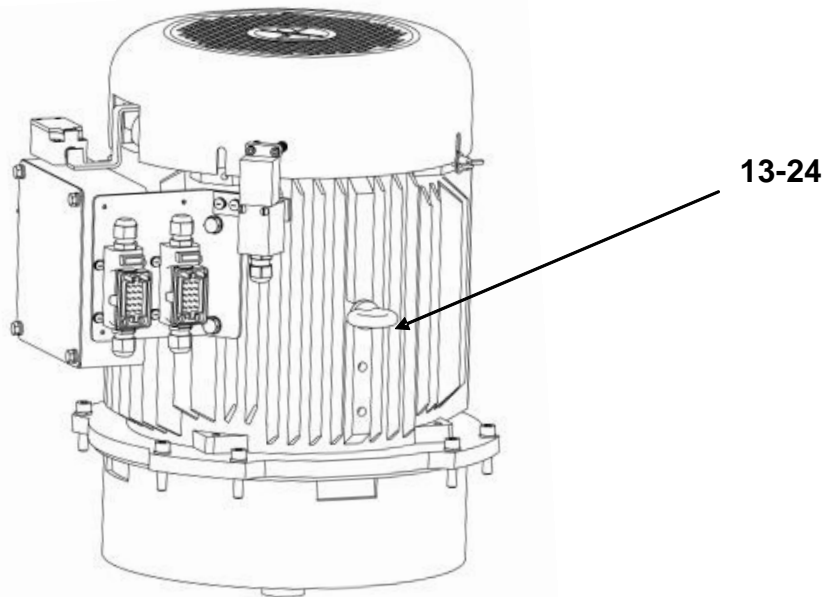
HAA20401L		
REF. No	PART No.	DESCRIPTION
1	DAA20550Z73	Motor (7.5kW, 200~220V, 60Hz, 1200rpm, IP44, w/ overspeed governor)
2	DAA20550Z74	Motor (7.5kW, 200~220V, 60Hz, 1200rpm, IP44, w/o overspeed governor)
3	DAA20550Z75	Motor (9kW, 200~220V, 60Hz, 1200rpm, IP44, w/ overspeed governor)
4	DAA20550Z76	Motor (9kW, 200~220V, 60Hz, 1200rpm, IP44, w/o overspeed governor)
5	DAA20550Z77	Motor (7.5kW, 480V, 60Hz, 1200rpm, IP44, w/ overspeed governor)
6	DAA20550Z78	Motor (7.5kW, 480V, 60Hz, 1200rpm, IP44, w/o overspeed governor)
7	DAA20550Z79	Motor (9kW, 480V, 60Hz, 1200rpm, IP44, w/ overspeed governor)
8	DAA20550Z80	Motor (9kW, 480V, 60Hz, 1200rpm, IP44, w/o overspeed governor)
9	DAA20550Z81	Motor (7.5kW, 600V, 60Hz, 1200rpm, IP44, w/ overspeed governor)
10	DAA20550Z82	Motor (7.5kW, 600V, 60Hz, 1200rpm, IP44, w/o overspeed governor)
11	DAA20550Z83	Motor (9kW, 600V, 60Hz, 1200rpm, IP44, w/ overspeed governor)
12	DAA20550Z84	Motor (9kW, 600V, 60Hz, 1200rpm, IP44, w/o overspeed governor)

**ESCALATOR MACHINE EMC-W1-ANSI
(7.5 / 9 kW)**

Spare Parts Leaflet

06-HAA20401L

March 2, 2023, Page 5 of 14



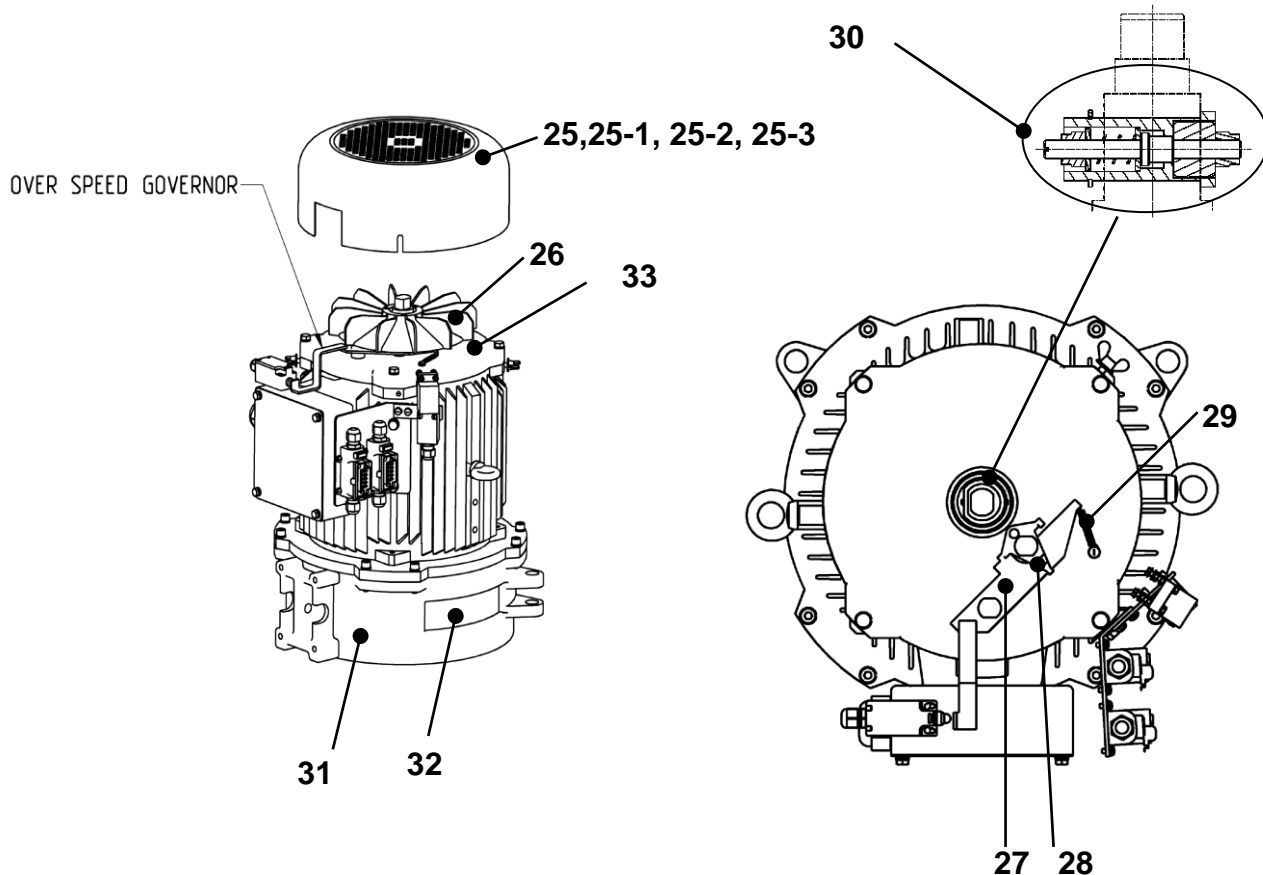
HAA20401L		
REF. No	PART No.	DESCRIPTION
13	DAA20550Z85	Motor (7.5kW/200~220V/60Hz/1200rpm/IP55/ w / overspeed governor/outdoor)
14	DAA20550Z86	Motor (7.5kW/200~220V/60Hz/1200rpm/IP55/ w/o overspeed governor/outdoor)
15	DAA20550Z87	Motor (9kW/200~220V/60Hz/1200rpm/IP55/ w / overspeed governor/outdoor)
16	DAA20550Z88	Motor (9kW/200~220V/60Hz/1200rpm/IP55/ w/o overspeed governor/outdoor)
17	DAA20550Z89	Motor (7.5kW/480V/60Hz/1200rpm/IP55/ w / overspeed governor/outdoor)
18	DAA20550Z90	Motor (7.5kW/480V/60Hz/1200rpm/IP55/ w/o overspeed governor/outdoor)
19	DAA20550Z91	Motor (9kW/480V/60Hz/1200rpm/IP55/ w / overspeed governor/outdoor)
20	DAA20550Z92	Motor (9kW/480V/60Hz/1200rpm/IP55/ w/o overspeed governor/outdoor)
21	DAA20550Z93	Motor (7.5kW/600V/60Hz/1200rpm/IP55/ w / overspeed governor/outdoor)
22	DAA20550Z94	Motor (7.5kW/600V/60Hz/1200rpm/IP55/ w/o overspeed governor/outdoor)
23	DAA20550Z95	Motor (9kW/600V/60Hz/1200rpm/IP55/ w / overspeed governor/outdoor)
24	DAA20550Z96	Motor (9kW/600V/60Hz/1200rpm/IP55/ w/o overspeed governor/outdoor)

Note: Item 1~24 are motors WITHOUT brake wheel housing.

ESCALATOR MACHINE EMC-W1-ANSI
(7.5 / 9 kW)

Spare Parts Leaflet
06-HAA20401L

March 2, 2023, Page 6 of 14



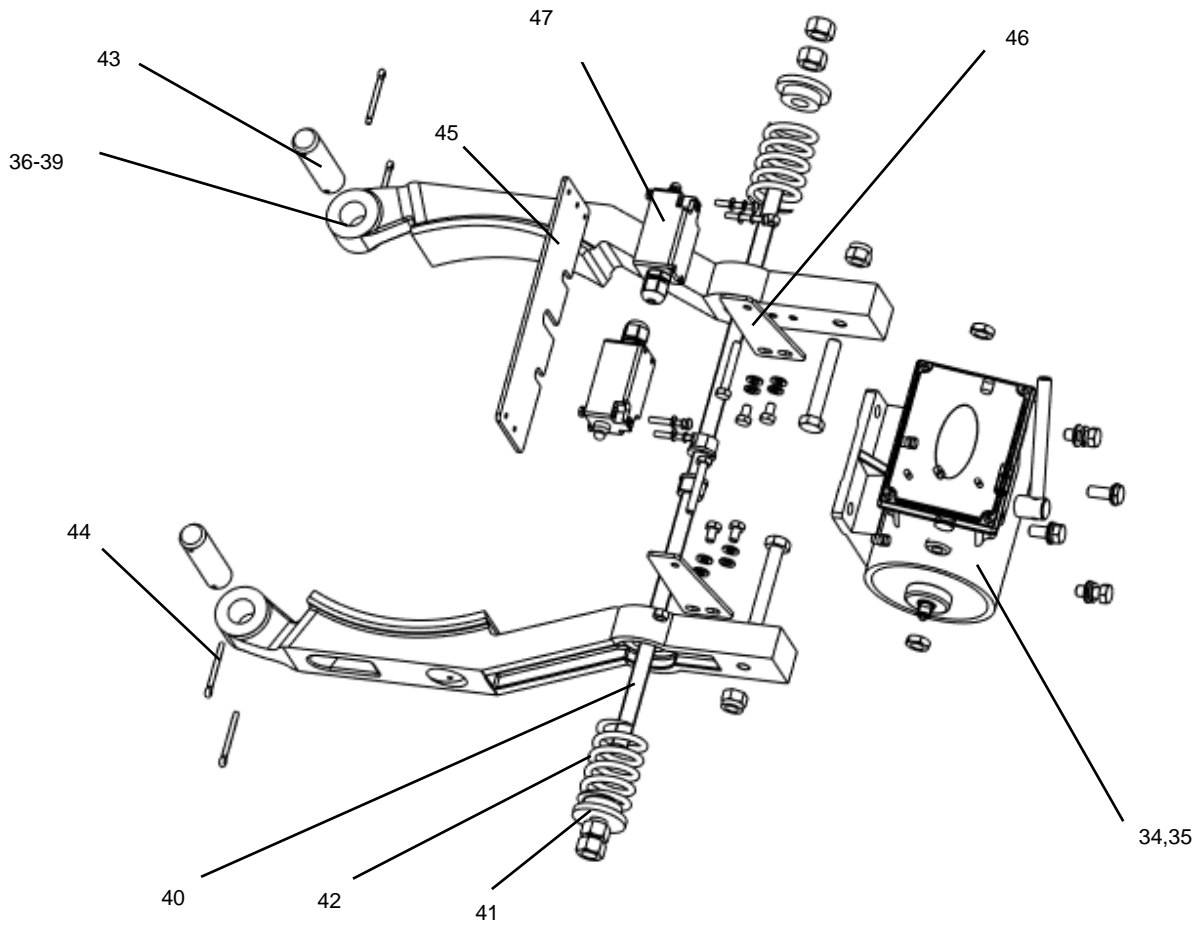
HAA20401L		
REF. No	PART No.	DESCRIPTION
25	DAA20550Z-HX122G1	Motor cover, RAL 5019(blue for indoor), for motor with OS
25-1	DAA20550Z-HX122G2	Motor cover, RAL 5019(blue for indoor), for motor without OS
25-2	DAA20550Z-HX122G3	Motor cover, RAL 7035(grey for outdoor/semi-outdoor), for motor with OS
25-3	DAA20550Z-HX122G4	Motor cover, RAL 7035(grey for outdoor/semi-outdoor), for motor without OS
26	DAA20550Z-HX116D	Fan
27	DAA20550Z-HX142CV	Overspeed switch plate
28	DAA20550Z-HX118M	Tripper of overspeed governor
29	DAA20550Z-HX133D	Spring of overspeed governor
30	DAA20550Z-HX160A1-60Hz	Overspeed governor (1360-1380rpm)
31	DAA20550Z-HX126P	Flange connection between motor and gearbox
32	DAA20550Z-HX117L	Brake sheave
33	DAA20550Z-HX102N	Motor upper cover

**ESCALATOR MACHINE EMC-W1-
ANSI
(7.5 / 9 kW)**

Spare Parts Leaflet

06-HAA20401L

March 2, 2023, Page 7 of 14



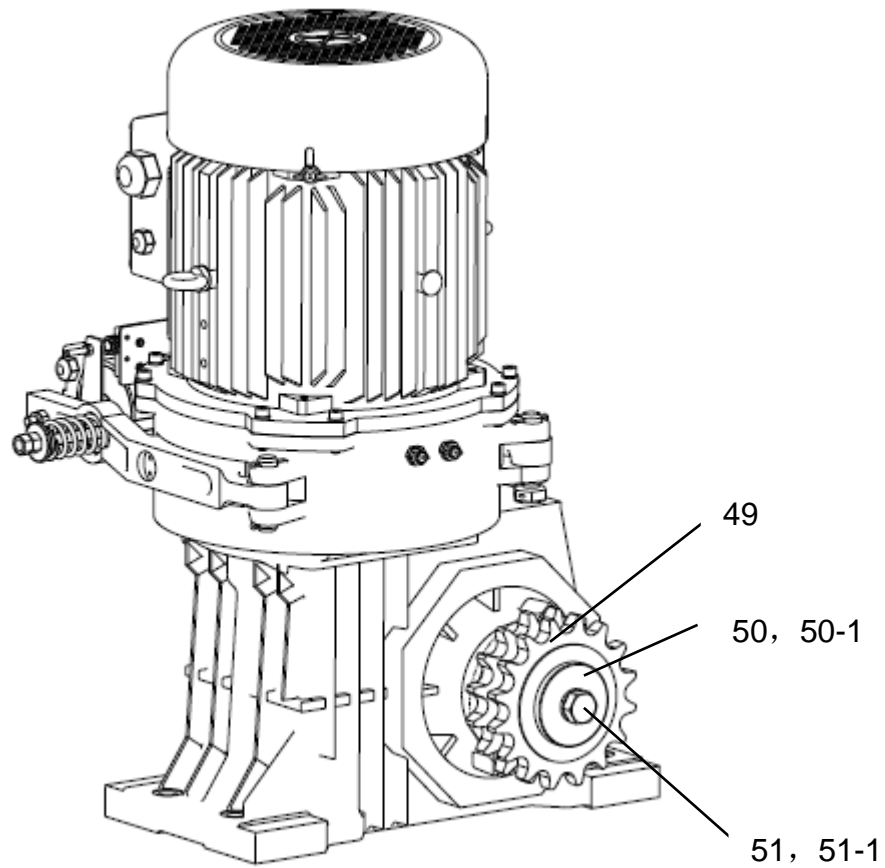
HAA20401L		
REF. No.	PART No.	DESCRIPTION
34	DAA234J1-600	Brake magnet
35	DAA26800BE1	Circuit board of brake magnet
36	DAA286Q11	Brake arm, w/ brake lining monitor, indoor
37	DAA286Q12	Brake arm, w/o brake lining monitor, indoor
38	DAA286Q111	Brake arm, w/ brake lining monitor, outdoor / semi-outdoor
39	DAA286Q112	Brake arm, w/o brake lining monitor, outdoor / semi-outdoor
40	GAA98FG1	Brake rod
41	GAA131AAM1	Spring holder
42	DAA90AJ1	Spring
43	ISO2340B-20X75X5	Pin
44	ISO1234-4X32-Z	Split pin
45	DAA316APP1	Bracket
46	DAA316AND1	Bracket
47	GBA177HA1	Brake lifting switch
48	ISO4017M10X65-8-8Z-A7(sunk mark)	Hexagon head screw (sunk mark, outdoor/semi-outdoor)
48-1	ISO4017M10X65-8-8Z(sunk mark)	Hexagon head screw (sunk mark, indoor)

**ESCALATOR MACHINE EMC-W1-
ANSI
(7.5 / 9 kW)**

Spare Parts Leaflet

06-HAA20401L

March 2, 2023, Page 8 of 14

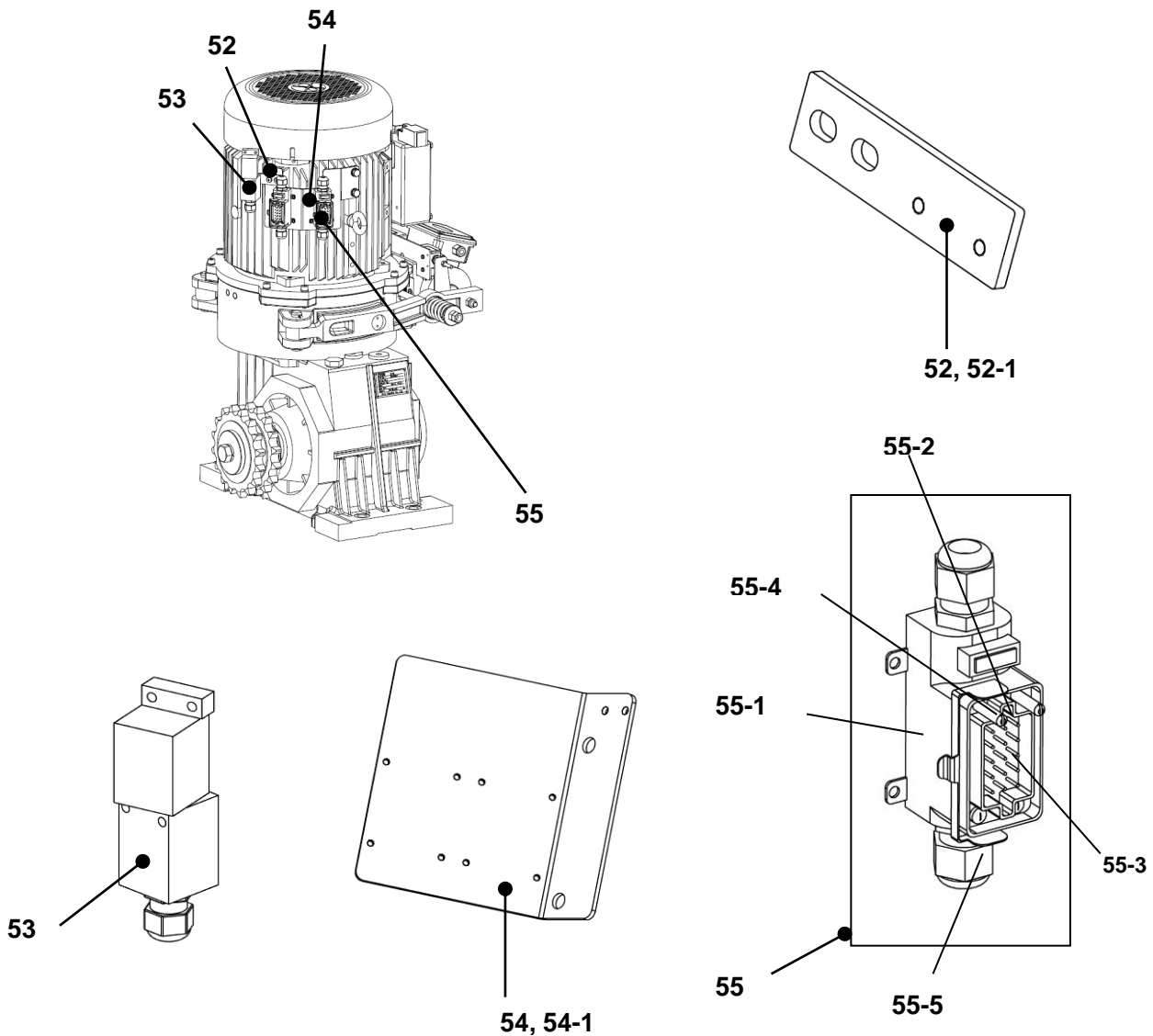


HAA20401L			
REF. No.	PART No.	DESCRIPTION	
49	XAA195DP27	Sprocket, machine teeth 19	For Link
50	DAA131AJ1	Sprocket holder	
50-1	DAA131AJ101	Sprocket holder, outdoor/semi-outdoor	
51	ISO4017M20X55_8_8Z	Hexagon head screw	
51-1	ISO4017M20X55_8_8Z-A7	Hexagon head screw, outdoor/semi-outdoor	

**ESCALATOR MACHINE EMC-W1-ANSI
(7.5 / 9 kW)**

**Spare Parts Leaflet
06-HAA20401L**

March 2, 2023, Page 9 of 14



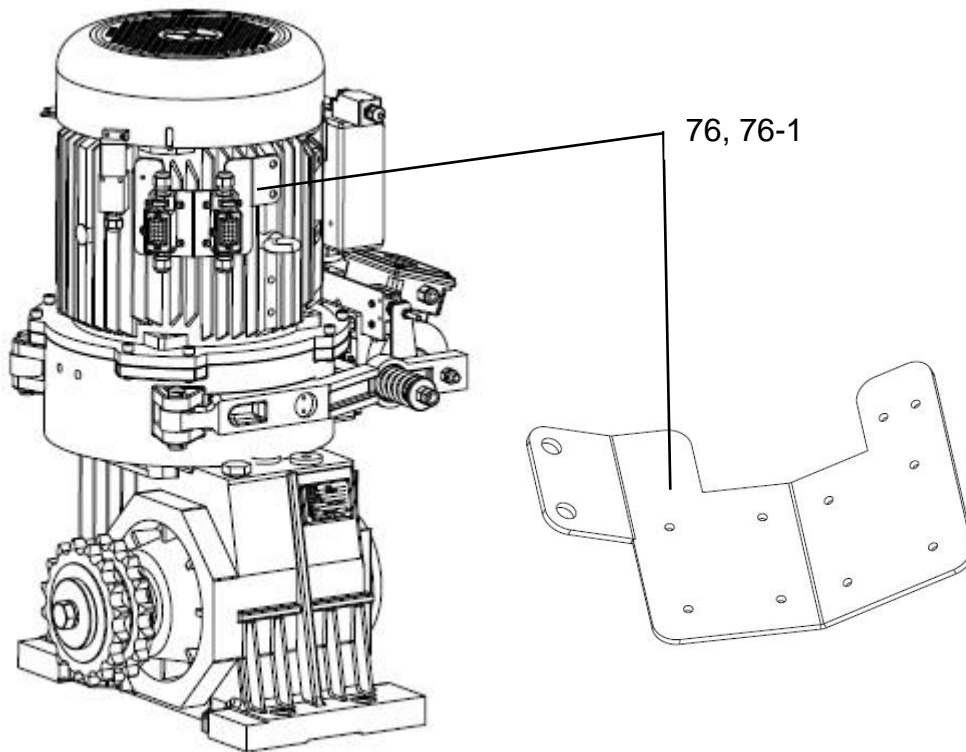
HAA20401L		
REF. No.	PART No.	DESCRIPTION
52	DAA316ACX1	Bracket of handwheel safety device, indoor
52-1	DAA316ACX2	Bracket of handwheel safety device, outdoor & semi-outdoor
53	DAA177AF1	Handwheel safety switch
54	DAA316APR1	Bracket of connector subassembly, indoor
54-1	DAA316APR101	Bracket of connector subassembly, outdoor & semi-outdoor
55	DAA176BB1	Connector (Assembly, vendor: Wain)
55-1	DAA396R1	Connector housing (vendor: Wain)
55-2	DAA176Y1	Connector socket (vendor: Wain)
55-3	DAA614L2	Connector plug (vendor: Wain)
55-4	DAA614M1	Locating piece (vendor: Wain)
55-5	DAA444E1/2/3	Plug

**ESCALATOR MACHINE EMC-W1-ANSI
(7.5 / 9 kW)**

Spare Parts Leaflet

06-HAA20401L

March 2, 2023, Page 10 of 14



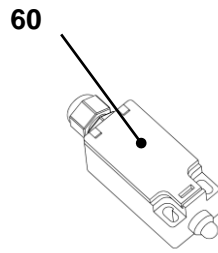
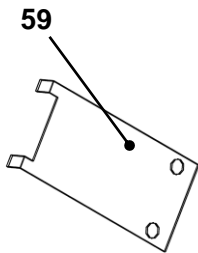
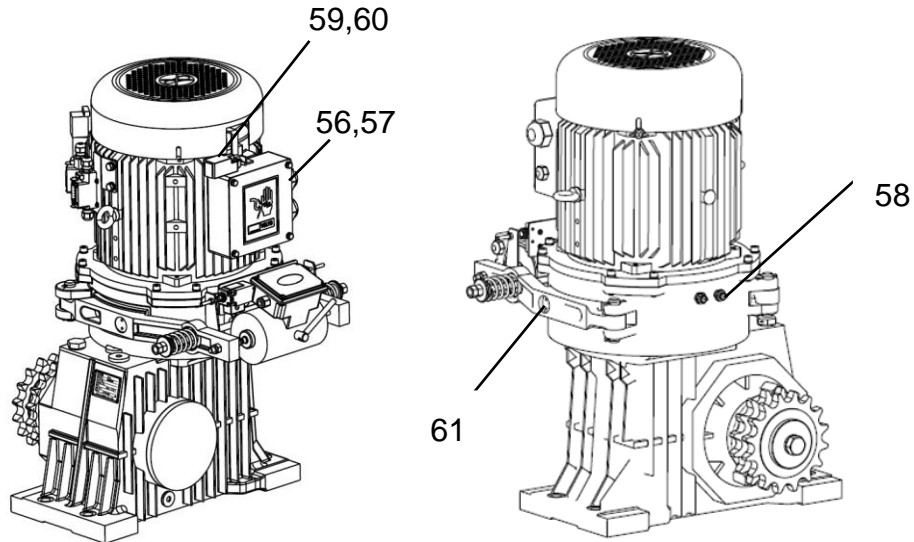
HAA20401L		
REF. No.	PART No.	DESCRIPTION
76	HAA316FWM1	Bracket of connector subassembly, indoor
76-1	HAA316FWM101	Bracket of connector subassembly, outdoor & semi-outdoor

**ESCALATOR MACHINE EMC-W1-ANSI
(7.5 / 9 kW)**

Spare Parts Leaflet

06-HAA20401L

March 2, 2023, Page 11 of 14

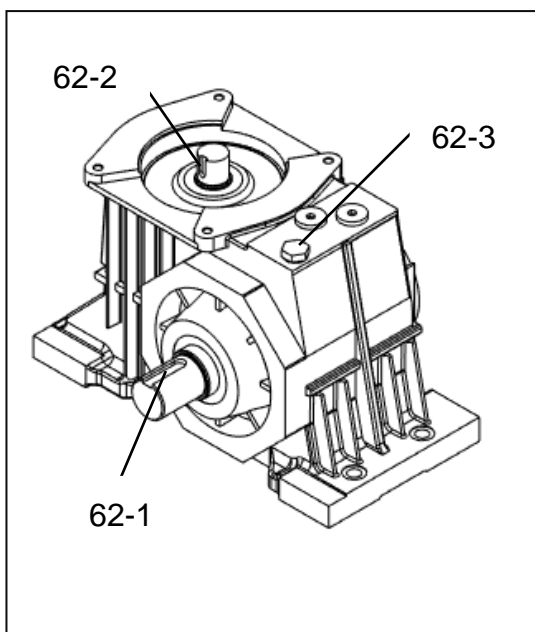


HAA20401L		
REF. No.	PART No.	DESCRIPTION
56	DAA174AFW1	Motor power supply cable, 6xAWG11 + PE
57	DAA174AFW11	Brake power supply cable, 2Xawg18 + PE
58	DAA27086E2	Machine speed sensors
59	GAA316CXD42	Bracket of over speed device
60	GOA177BX4	Overspeed switch
61	DAA27086E4	Brake lining wear device

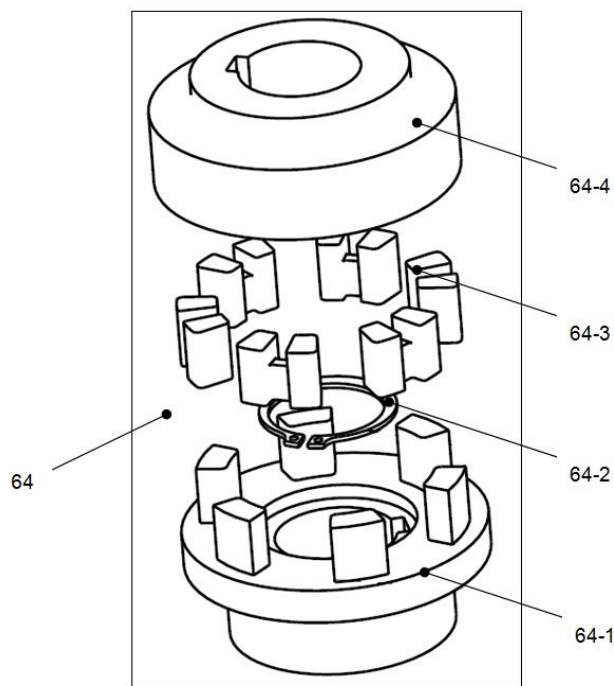
**ESCALATOR MACHINE EMC-W1-
ANSI
(7.5 / 9 kW)**

**Spare Parts Leaflet
06-HAA20401L**

March 2, 2023, Page 12 of 14



62, 63



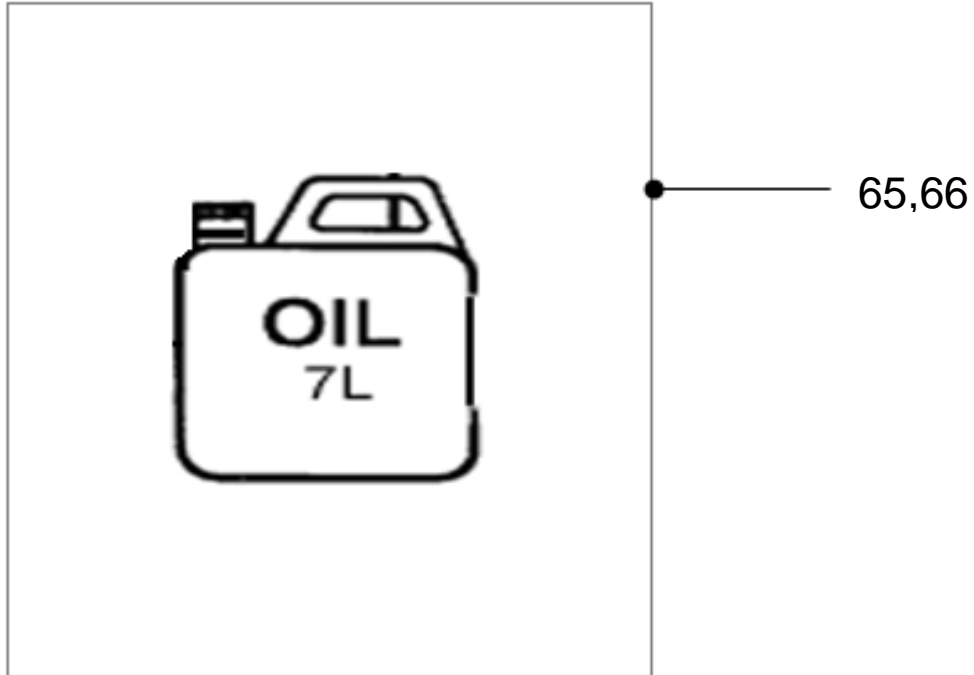
HAA20401L		
REF. No.	PART No.	DESCRIPTION
62	HAA20065B1	Tsubaki Emerson gearbox, FTJ125AR-3, 24.5:1 Indoor
63	HAA20065B101	Tsubaki Emerson gearbox, FTJ125AR-3, 24.5:1 Outdoor/semi-outdoor
62-1	HAA20065B-output key	Key
62-2	HAA20065B-input key	Key
62-3	HAA20065B-OIL-PUG	Ventilation oil plug
64	DAA218AM1	EC-W1 coupling assembly
64-1	DAA218AN1	Coupling upper (motor)
64-2	DIN471_38_480HV_B	Retaining Ring
64-3	DAA320BA1	Rubber buffer
64-4	DAA218S1	Coupling lower (gearbox)

**ESCALATOR MACHINE EMC-W1-
ANSI
(7.5 / 9 kW)**

Spare Parts Leaflet

06-HAA20401L

March 2, 2023, Page 13 of 14



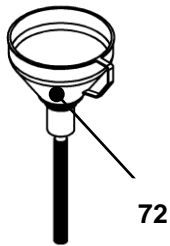
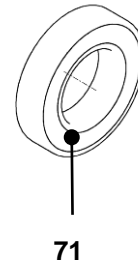
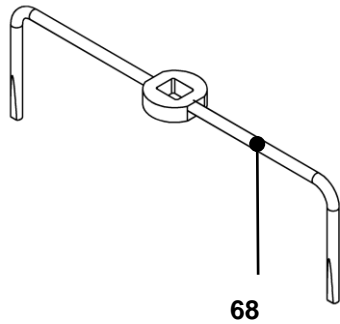
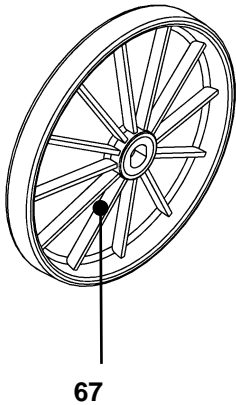
REF. No.	PART No.	DESCRIPTION
	HAA20401L	
65	GAA33BG1	Oil for 9kW, 7L, Mobil Glygoyle 460
66	GAA33BG4	Oil for 7.5kW, 7L, Mobil Gear 600XP 460

ESCALATOR MACHINE EMC-W1-ANSI
(7.5 / 9 kW)

Spare Parts Leaflet

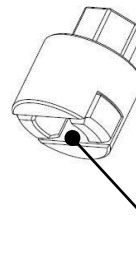
06-HAA20401L

March 2, 2023, Page 14 of 14

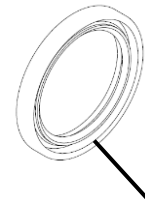


73

74



75



69,70

HAA20401L		
REF. No.	PART No.	DESCRIPTION
67	GAA28JC1	Handwheel
68	DAA20250L1	Brake release tool
69	NAK-TC45X70X8-FKM	Seal for input shaft
70	NAK-TC65X90X10-FKM	Inner seal for output shaft
	NAK-TC65X90X10-NBR	Outer seal for output shaft
71	NSK-6210ZZ	Motor bearing
72	DAA349A1	Funnel tube
73	DAA174AFW1	Motor power supply cable
74	DAA174AFW11	Brake magnet power supply cable
75	DAA270AK1	Wrench adapter