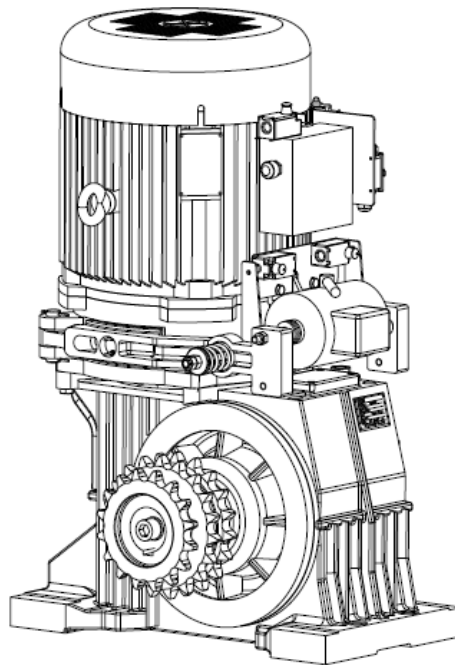
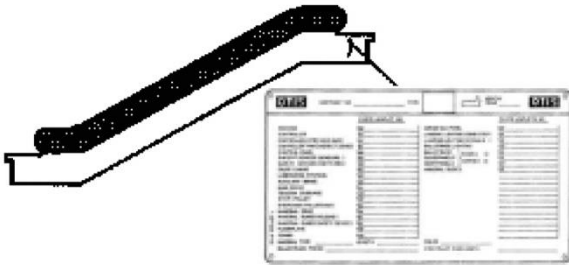


**ESCALATOR
Machine EMC-W1-ANSI**

**Spare Parts Leaflet
06-HAA20401M
2019-04-11, Page 1 of 11**



Unpublished Work—© Otis Elevator Co.



Safety First!

**ESCALATOR ENGINEERING
Otis Elevator Company**

06-HAA20401M

History

Leaflet Description

Machine EMC-W1-ANSI-13KW, for Link;

Leaflet Revisions

Date Revised	CN	Subject Matter Expert	Reason for Revision
2019-04-11	CNT1900378	Kefu Chen	Original document

Related Drawings

Drawing No.	Title	Drawing No.	Title
HAA20401M	EMC-W1-ANSI-13		

Related Documents

Document ID	Title
HE0201S	EMC-W1-ANSI-13 ODS

Subject Matter Expert

Name	Department

About Spare Parts Leaflets

This document lists the lowest replaceable units (LRUs) for the standard version of the product. The LRUs are chosen by a team of Otis associates representing engineering and manufacturing.

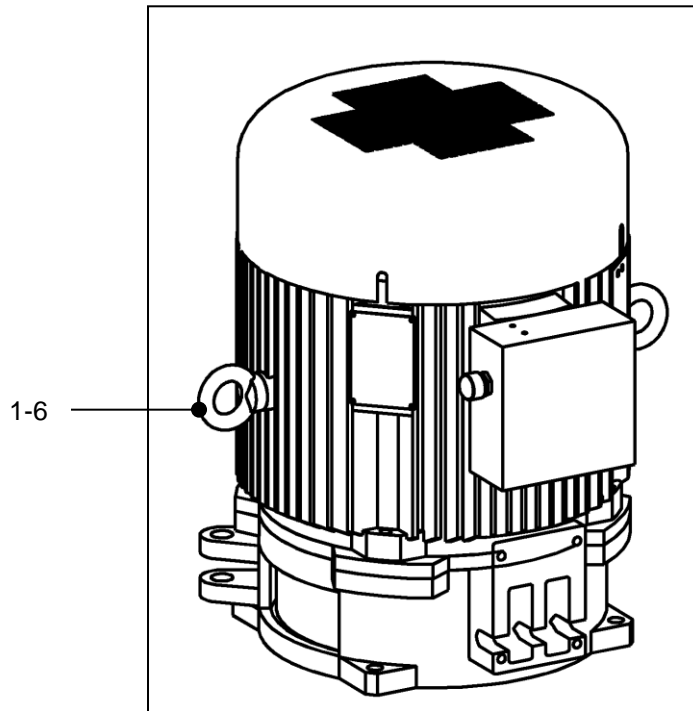
While goal of this document is to make parts identification as easy as possible, the document cannot be all-inclusive. Elevator and escalator contracts classified as "special" or "custom" are not addressed here. For such contracts, please refer to specified information, the contract folder, TIPs, Field Education Articles, Construction Letters, etc. for further information.

If you have any suggestions about this document, please contact the subject matter expert listed on this page.

ESCALATOR
Machine EMC-W1-ANSI

06-HAA20401M

Motor , for indoor

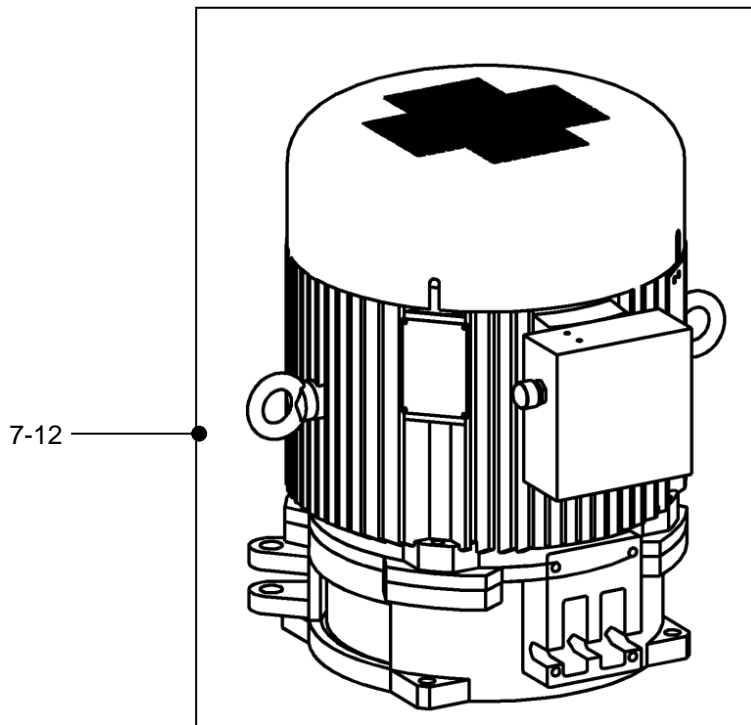


HAA20401M		
REF. No.	PART No.	DESCRIPTION
1	DAA20550H1	Motor (13Kw, 60Hz, 1200rpm, IP55, 200/220V, w/ over speed governor), for indoor
2	DAA20550H 2	Motor (13Kw, 60Hz, 1200rpm, IP55, 200/220V, w/o over speed governor) , for indoor
3	DAA20550H 3	Motor (13Kw, 60Hz, 1200rpm, IP55, 480V, w/ over speed governor) , for indoor
4	DAA20550H 4	Motor (13Kw, 60Hz, 1200rpm, IP55, 480V, w/o over speed governor) , for indoor
5	DAA20550H 5	Motor (13Kw, 60Hz, 1200rpm, IP55, 600V, w/ over speed governor) , for indoor
6	DAA20550H 6	Motor (13Kw, 60Hz, 1200rpm, IP55, 600V, w/o over speed governor) , for indoor

ESCALATOR
Machine EMC-W1-ANSI

06-HAA20401M

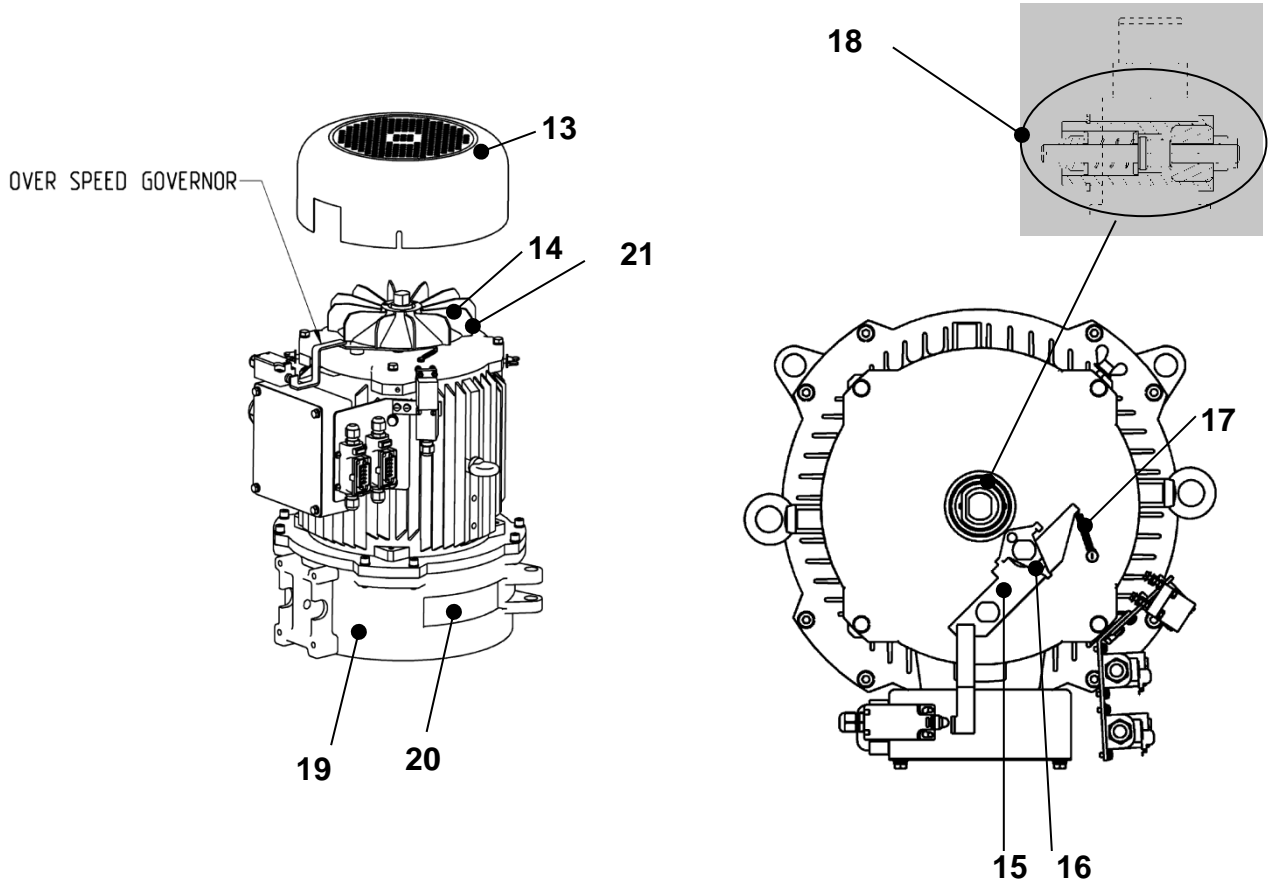
Motor, for outdoor / semi-outdoor



HAA20401M		
REF. No.	PART No.	DESCRIPTION
7	DAA20550H 101	Motor (13Kw, 60Hz, 1200rpm, IP55, 200/220V, w/ over speed governor), for outdoor / semi-outdoor
8	DAA20550H 102	Motor (13Kw, 60Hz, 1200rpm, IP55, 200/220V, w/o over speed governor) , for outdoor / semi-outdoor
9	DAA20550H 103	Motor (13Kw, 60Hz, 1200rpm, IP55, 480V, w/ over speed governor) , for outdoor / semi-outdoor
10	DAA20550H 104	Motor (13Kw, 60Hz, 1200rpm, IP55, 480V, w/o over speed governor) , for outdoor / semi-outdoor
11	DAA20550H 105	Motor (13Kw, 60Hz, 1200rpm, IP55, 600V, w/ over speed governor) , for outdoor / semi-outdoor
12	DAA20550H 106	Motor (13Kw, 60Hz, 1200rpm, IP55, 600V, w/o over speed governor) , for outdoor / semi-outdoor

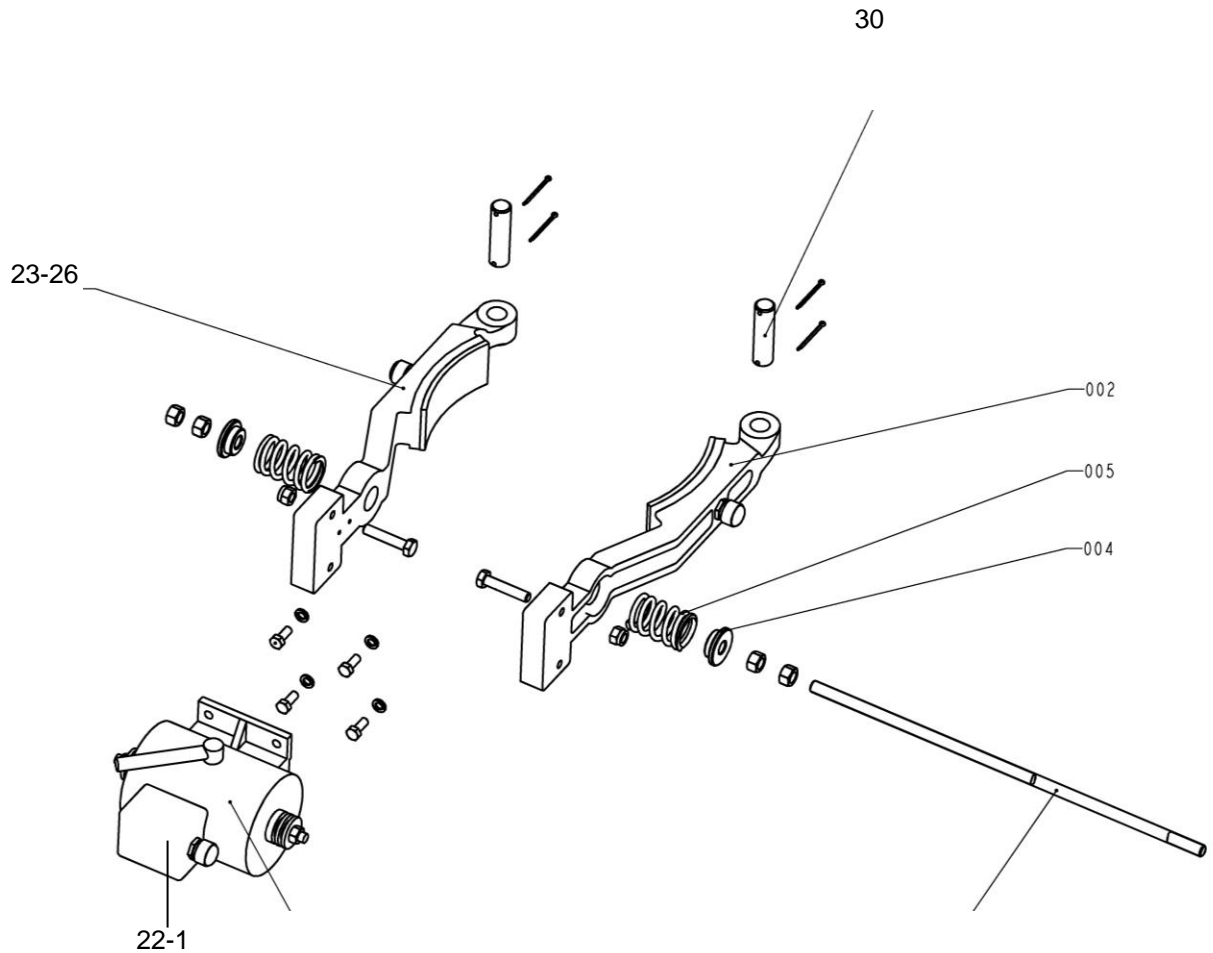
ESCALATOR
Machine EMC-W1-ANSI

06-HAA20401M



HAA20401M		
REF. No	PART No.	DESCRIPTION
13	DAA20550H-001	Motor cover, blue
14	DAA20550H-002	Fan
15	DAA20550H-003	Over speed switch plate
16	DAA20550H-004	Tripper of over speed governor
17	DAA20550H-005	Spring of over speed governor
18	DAA20550H-006	Over speed governor (1360-1380rpm)
19	DAA20550H-007	Flange connection between motor and gearbox
20	DAA20550H-008	Brake sheave
21	DAA20550H-009	Motor upper cover

Brake parts

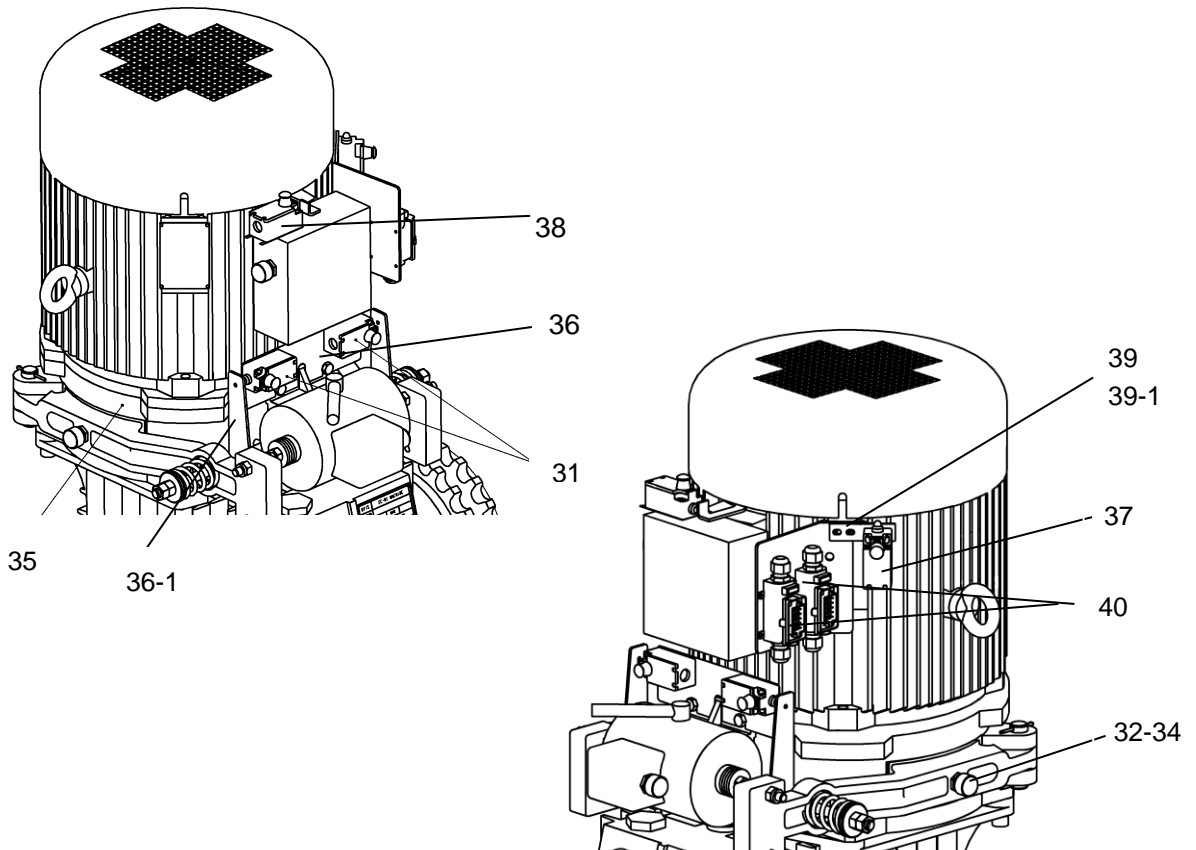


HAA20401M		
REF. No.	PART No.	DESCRIPTION
22	DAA234J1	Brake magnet
22-1	DAA26800BE1	Brake magnet circuit board
23	DAA286K1	Brake arm , w/ break lining wear, indoor
24	DAA286K2	Brake arm, w/o break lining wear, indoor
25	DAA286K101	Brake arm , w/ break lining wear, outdoor / semi-outdoor
26	DAA286K102	Brake arm, w/o break lining wear, outdoor / semi-outdoor
27	GAA98FG1	Rod
28	GAA131AAM1	Spring holder
29	DAA90AJ1	Spring
30	ISO2340-20X75	Pin

ESCALATOR
Machine EMC-W1-ANSI

06-HAA20401M

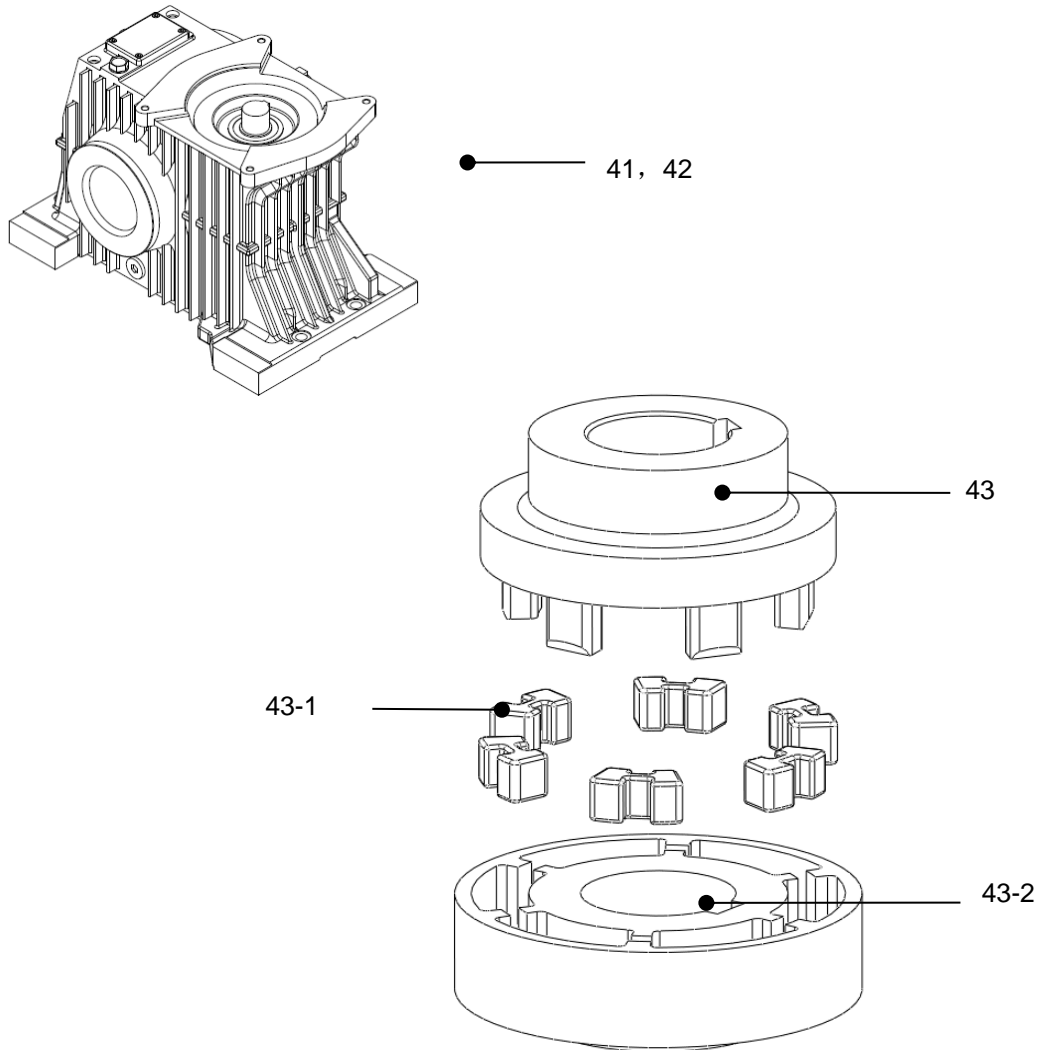
Safety device



HAA20401M		
REF. No.	PART No.	DESCRIPTION
31	GOA177BX1	Switch for brake lift monitoring device
32	GAA174APJ4	Cable for Brake lining wear device
33	GAA174APJ9	Cable for Brake lining wear device
34	GAA174APJ10	Cable for Brake lining wear device
35	HAA177CH1	Sensor for non reversing device, 2 pieces
36	DAA316ADA1	Bracket
36-1	DAA316ACZ1	Bracket
37	DAA177AF1	Switch for hand wheel safety contact
38	GOA177BX4	Switch for over speed device
39	DAA316ACX1	Bracket for Hand wheel safety device, indoor
39-1	DAA316ACX2	Bracket for Hand wheel safety device, outdoor/ semi-outdoor
40	DAA176BB1	Connector housing

ESCALATOR
Machine EMC-W1-ANSI

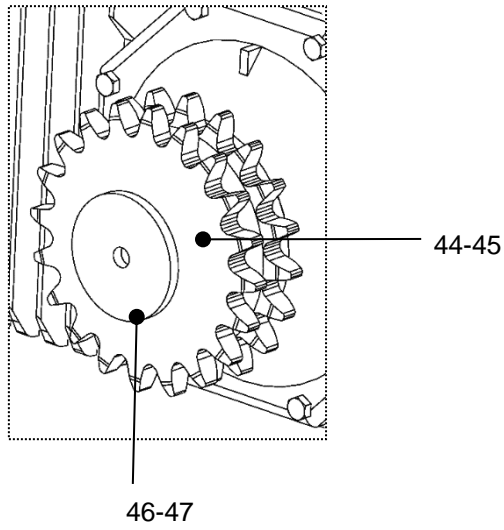
06-HAA20401M



HAA20401M		
REF. No.	PART No.	DESCRIPTION
41	HAA20065B3	Gear box (FTJ160R-1 for EMC-W1-ANSI), indoor
42	HAA20065B103	Gear box (FTJ160R-1 for EMC-W1-ANSI), outdoor/ semi-outdoor
43	DAA218F1	Coupling, motor side
43-1	DAA320AZ1	Coupling, gear side Coupling bumper
43-2	DAA218G1	Coupling, gear side

ESCALATOR
Machine EMC-W1-ANSI

06-HAA20401M

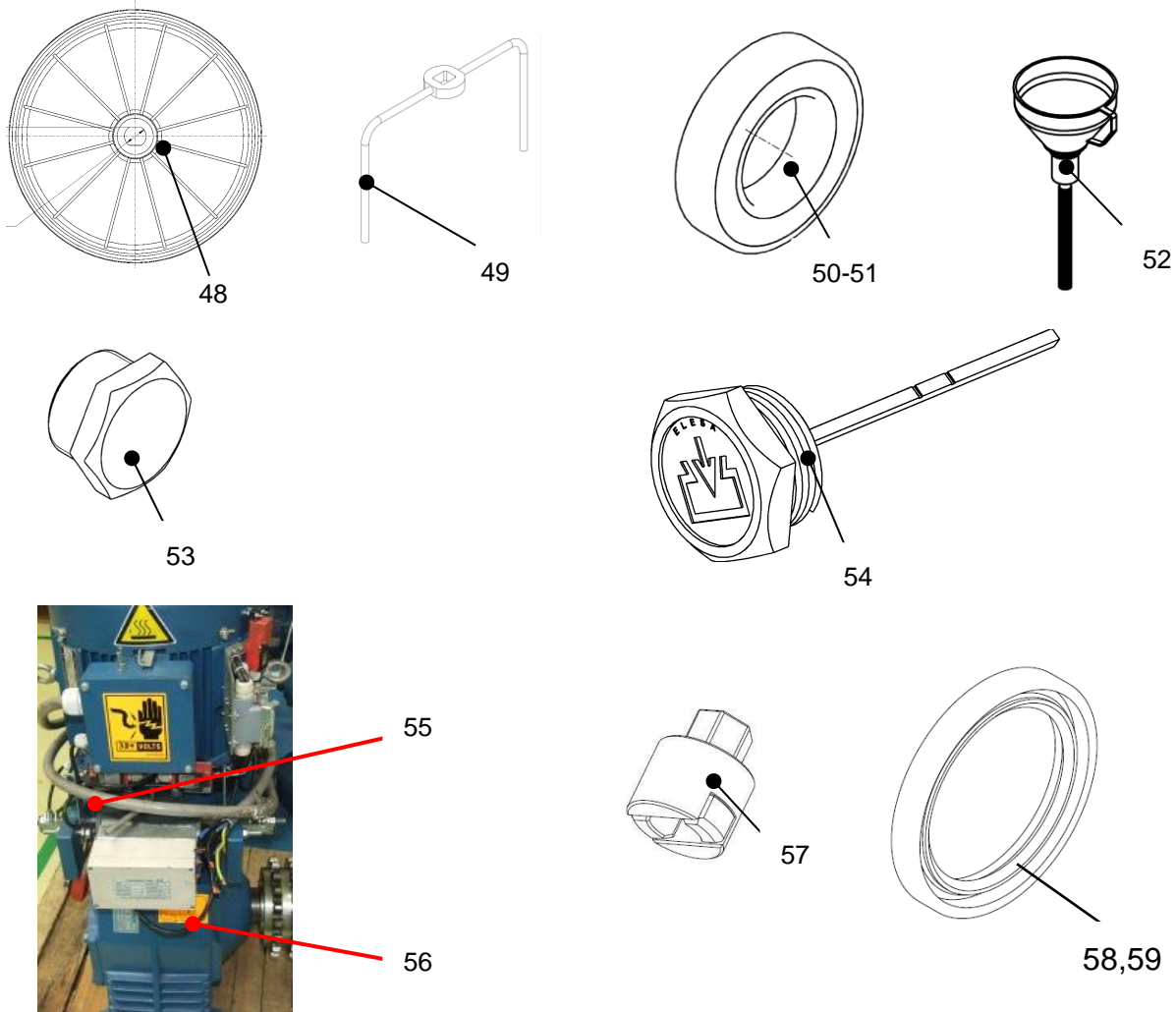


HAA20401M		
REF. No.	PART No.	DESCRIPTION
44	XAA195DP4	Sprocket, 19 teeth, Duplex for LINK
45	XAA195DP12	Sprocket, 19 teeth, Triplex for LINK
46	DAA131AX1	Sprocket holder, indoor
47	DAA131AX101	Sprocket holder, outdoor / semi-outdoor

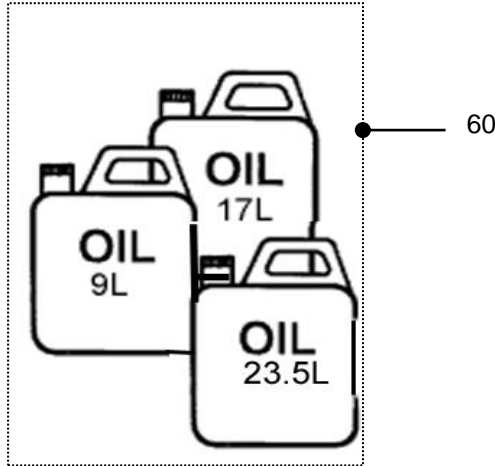
ESCALATOR

Machine EMC-W1-ANSI

06-HAA20401M



REF. No.	PART No.	DESCRIPTION
48	GAA28JC1	Hand wheel
49	DAA20250E1	Brake release tool
50	NSK 6212ZZ	Motor bearing, lower
51	NSK 6210ZZ	Motor bearing, upper
52	DAA349A1	Funnel tube
53	GAA65ES1	Oil plunger (for transportation)
54	DAA65AW1	Oil plug
55	DAA174AFW2	Motor power supply cable
56	DAA174AFW11	Brake magnet power supply cable.
57	DAA270AK1	Wrench adapter
58	NAK-TC80X100X12-FKM	Seal for output shaft
59	NAK-TC50X70X8-FKM	Seal for input shaft



HAA20401M		
REF. No.	PART No.	DESCRIPTION
60	GAA33BG2	Gear box oil (MoBil Glygoyle 220, 12L, FTJ160R-1, EMC-W1 -ANSI machine)