

156MST Machine

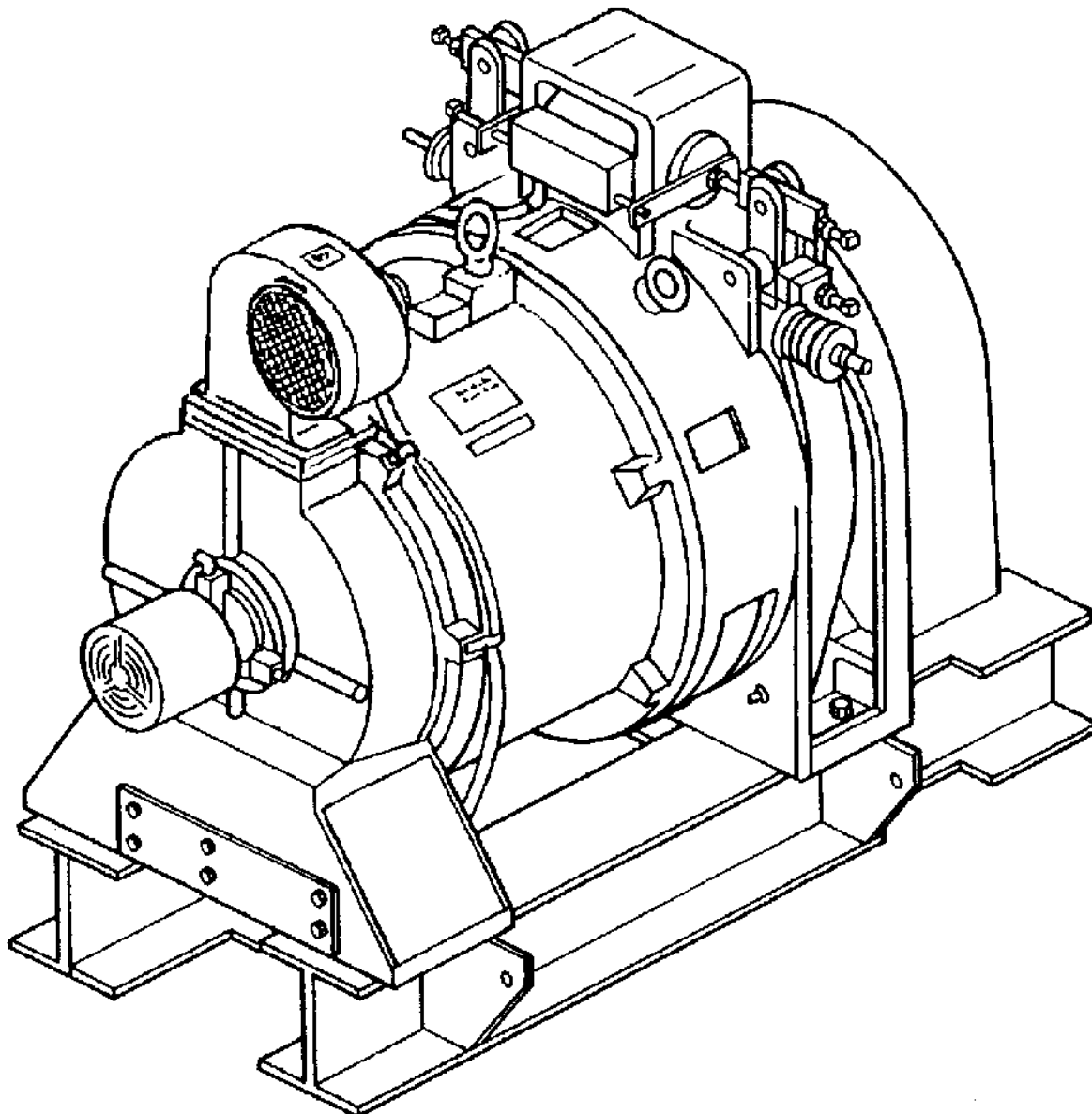
(TATUNG, OVF416,
CSA / CEN)

Spare Parts Leaflet

06-JAA20220AAF

February 9, 2018 / Page 1 of 13

Supersedes SPL 06-JAA20220AAF September 1, 2009



Unpublished Work—© Otis Elevator Co.

OTIS



Safety First!

SERVICE ENGINEERING

**Otis Elevator Company
Shibayama Factory, Japan**

History
06-JAA20220AAF
First Published: September, 2009

156MST machine (TATUNG, OVF416, CSA/CEN)

REVISED DATE	AUTHOR	PRIMARY REASON FOR REVISION
September 1, 2009	Yamaoka, Takayuki	New SPL
February 9, 2018	Yamaoka, Takayuki	Changed Encoder AAA659C1⇒AAA659C3  p10 Error corrected 153C3⇒145C3  p12

Leaflet Description

This leaflet provides spare parts information for 156MST machine.
Made in TATUNG.
Used for OVF416 DRIVE and CSA / CEN code.

RELATED LEAFLET NUMBERS	TITLES
---	---
---	---




DRAWING REFERENCES		
JAA20220AAF	JAA20220AAL	JAA21410AAJ

RELATED DOCUMENT NUMBERS	TITLES




This Spare Parts Leaflet (SPL) is prepared to assist you in determining the Lowest Replaceable Units (LRU) supported by the Otis Service Center for the standard version of the product titled on the preceding page. The parts are chosen by Otis associates from: Engineering, Field Engineering, Service Engineering, and Manufacturing. We attempt to make part identification as easy as possible. The SPL, however, cannot be all inclusive. Elevator and escalator contracts classified as either "special" or "custom" are not addressed. Alternative sources of information such as: the Contract Folder, Technical Information Publications, Field Education Articles, Construction Letters, etc. may give the information you are after. You live in the real world of maintaining your elevator and escalator contracts. On a daily basis, situations arise regarding parts identification and at times, for some reason, the part you need is not in the SPL. If you think a standard part not listed should be—let us know. We will respond.

Yamaoka, Takayuki-Nippon OTIS Service Center

ARRANGEMENT

ARR. NO.	M / C ASS'Y ( Page 7 ~ 12)	MOTOR ASS'Y ( Page 13)		DRIVING SHEAVE ( Page 6)	APPLICATION
JAA20220AAF001	JAA20220AAL209	JAA00751 AAD407	28kW (2.5MPS)	JAA00261AAB102	CSA VERSION
JAA20220AAF002				JAA00261AAB106	
JAA20220AAF003		JAA00751 AAD408	35kW (3.5MPS)	JAA00261AAB102	
JAA20220AAF004				JAA00261AAB106	
JAA20220AAF005		JAA00751 AAD409	40kW (4.0MPS)	JAA00261AAB102	
JAA20220AAF006				JAA00261AAB106	
JAA20220AAF007	JAA20220AAL109	JAA20220 AAM001	35kW	JAA00261AAB102	
JAA20220AAF008				JAA00261AAB106	
JAA20220AAF101	JAA20220AAL201	JAA00751 AAD407	28kW (2.5MPS)	JAA00261AAB201	GEN VERSION
JAA20220AAF102				JAA00261AAB202	
JAA20220AAF103		JAA00751 AAD408	35kW (3.5MPS)	JAA00261AAB201	
JAA20220AAF104				JAA00261AAB202	
JAA20220AAF105		JAA00751 AAD409	40kW (4.0MPS)	JAA00261AAB201	
JAA20220AAF106				JAA00261AAB202	
JAA20220AAF107	JAA20220AAL202	JAA00751 AAD407	28kW (2.5MPS)	JAA00261AAB201	GEN VERSION
JAA20220AAF108				JAA00261AAB202	
JAA20220AAF109		JAA00751 AAD408	35kW (3.5MPS)	JAA00261AAB201	
JAA20220AAF110				JAA00261AAB202	
JAA20220AAF111		JAA00751 AAD409	40kW (4.0MPS)	JAA00261AAB201	
JAA20220AAF112				JAA00261AAB202	
JAA20220AAF113	JAA20220AAL203	JAA00751 AAD407	28kW (2.5MPS)	JAA00261AAB201	GEN VERSION
JAA20220AAF114				JAA00261AAB202	
JAA20220AAF115		JAA00751 AAD408	35kW (3.5MPS)	JAA00261AAB201	
JAA20220AAF116				JAA00261AAB202	
JAA20220AAF117		JAA00751 AAD409	40kW (4.0MPS)	JAA00261AAB201	
JAA20220AAF118				JAA00261AAB202	
JAA20220AAF119	JAA20220AAL204	JAA00751 AAD407	28kW (2.5MPS)	JAA00261AAB201	GEN VERSION
JAA20220AAF120				JAA00261AAB202	
JAA20220AAF121		JAA00751 AAD408	35kW (3.5MPS)	JAA00261AAB201	
JAA20220AAF122				JAA00261AAB202	
JAA20220AAF123		JAA00751 AAD409	40kW (4.0MPS)	JAA00261AAB201	
JAA20220AAF124				JAA00261AAB202	

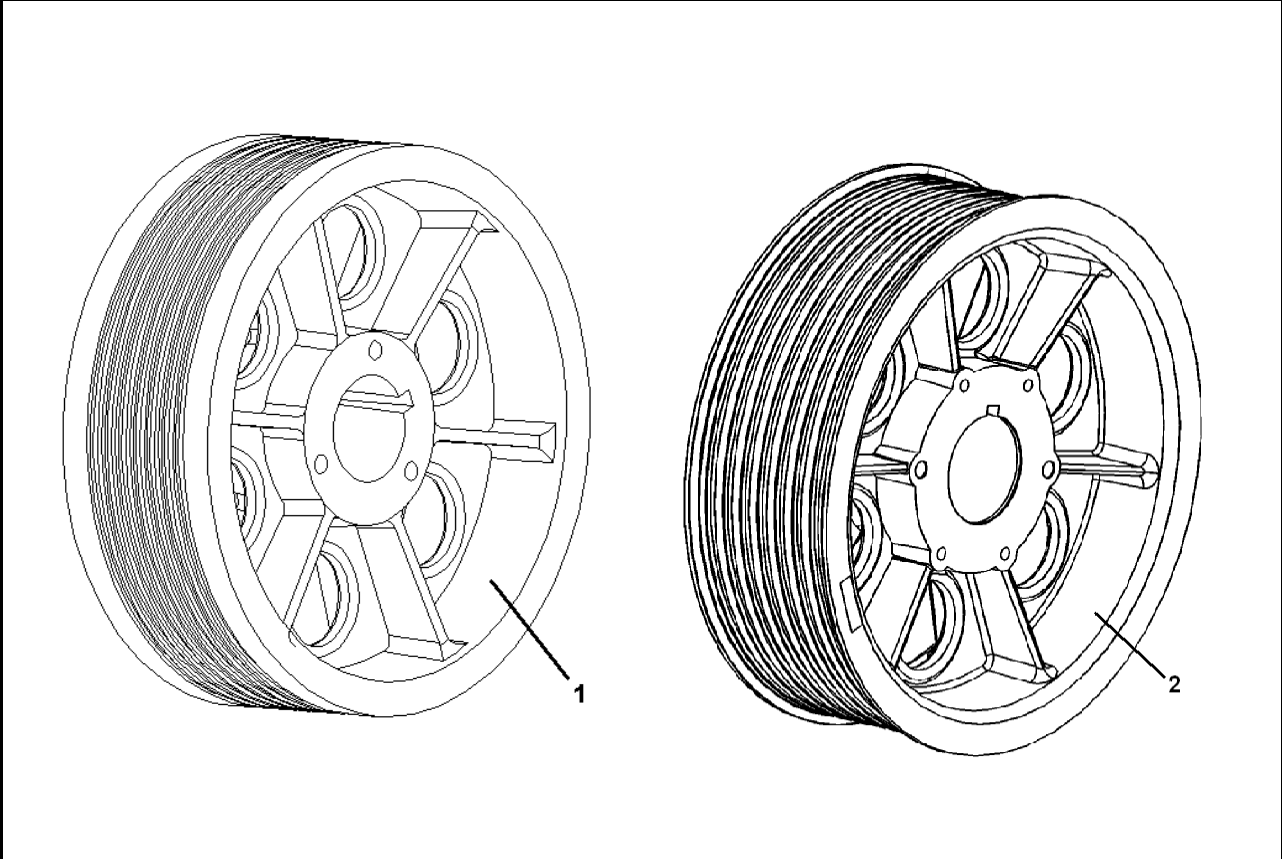
ARRANGEMENT

ARR. NO.	M / C ASS'Y ( Page 7 ~ 12)	MOTOR ASS'Y ( Page 13)		DRIVING SHEAVE ( Page 6)	APPLICA TION
JAA20220AAF125	JAA20220AAL205	JAA00751 AAD407	28kW	JAA00261AAB201	CEN VERSION
JAA20220AAF126			(2.5MPS)	JAA00261AAB202	
JAA20220AAF127		JAA00751 AAD408	35kW	JAA00261AAB201	
JAA20220AAF128			(3.5MPS)	JAA00261AAB202	
JAA20220AAF129		JAA00751 AAD409	40kW	JAA00261AAB201	
JAA20220AAF130			(4.0MPS)	JAA00261AAB202	
JAA20220AAF131	JAA20220AAL206	JAA00751 AAD407	28kW	JAA00261AAB201	
JAA20220AAF132			(2.5MPS)	JAA00261AAB202	
JAA20220AAF133		JAA00751 AAD408	35kW	JAA00261AAB201	
JAA20220AAF134			(3.5MPS)	JAA00261AAB202	
JAA20220AAF135		JAA00751 AAD409	40kW	JAA00261AAB201	
JAA20220AAF136			(4.0MPS)	JAA00261AAB202	
JAA20220AAF137	JAA20220AAL207	JAA00751 AAD407	28kW	JAA00261AAB201	
JAA20220AAF138			(2.5MPS)	JAA00261AAB202	
JAA20220AAF139		JAA00751 AAD408	35kW	JAA00261AAB201	
JAA20220AAF140			(3.5MPS)	JAA00261AAB202	
JAA20220AAF141		JAA00751 AAD409	40kW	JAA00261AAB201	
JAA20220AAF142			(4.0MPS)	JAA00261AAB202	
JAA20220AAF143	JAA20220AAL208	JAA00751 AAD407	28kW	JAA00261AAB201	
JAA20220AAF144			(2.5MPS)	JAA00261AAB202	
JAA20220AAF145		JAA00751 AAD408	35kW	JAA00261AAB201	
JAA20220AAF146			(3.5MPS)	JAA00261AAB202	
JAA20220AAF147		JAA00751 AAD409	40kW	JAA00261AAB201	
JAA20220AAF148			(4.0MPS)	JAA00261AAB202	

ARRANGEMENT


















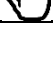
ARR. NO.	M / C ASS'Y (Page 7 ~ 12)	MOTOR ASS'Y (Page 13)		DRIVING SHEAVE (Page 6)	APPLICA TION
JAA20220AAF201	JAA20220AAL101	JAA20220 AAM001	35kW	JAA00261AAB201	CEN VERSION
JAA20220AAF202				JAA00261AAB202	
JAA20220AAF203	JAA20220AAL102			JAA00261AAB201	
JAA20220AAF204				JAA00261AAB202	
JAA20220AAF205	JAA20220AAL103			JAA00261AAB201	
JAA20220AAF206				JAA00261AAB202	
JAA20220AAF207	JAA20220AAL104			JAA00261AAB201	
JAA20220AAF208				JAA00261AAB202	
JAA20220AAF209	JAA20220AAL105			JAA00261AAB201	
JAA20220AAF210				JAA00261AAB202	
JAA20220AAF211	JAA20220AAL106			JAA00261AAB201	
JAA20220AAF212				JAA00261AAB202	
JAA20220AAF213	JAA20220AAL107			JAA00261AAB201	
JAA20220AAF214				JAA00261AAB202	
JAA20220AAF215	JAA20220AAL108			JAA00261AAB201	
JAA20220AAF216				JAA00261AAB202	

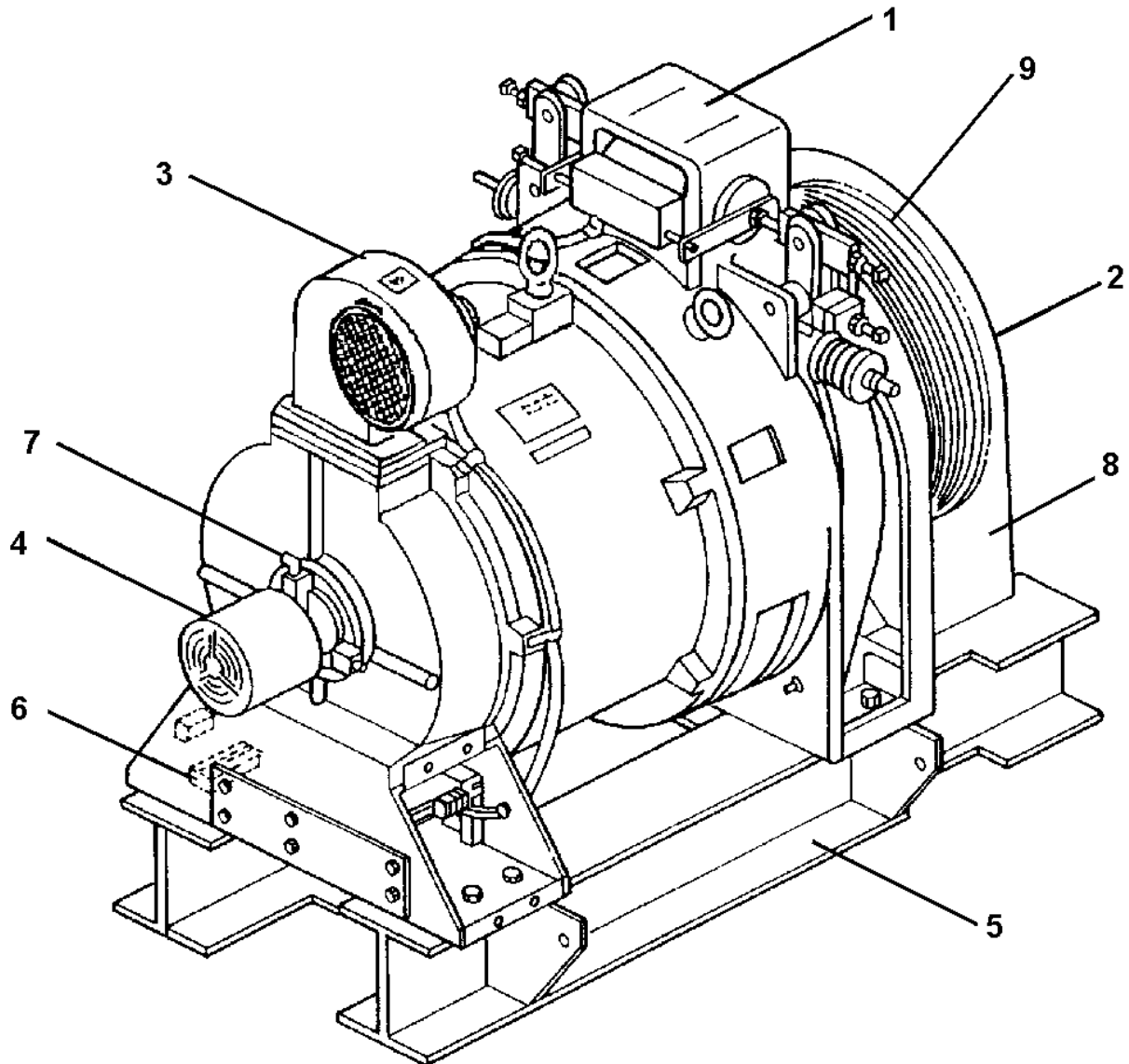
Sheave




JAA20220AAF				
REF. NO.	PART NO.	DESCRIPTION	NO.&SIZE	UNDERCUT
1	JAA00261AAB201	Sheave	(7) Φ 13	90°
	JAA00261AAB202	Sheave	(8) Φ 13	
2	JAA00261AAB102	Sheave	(7) Φ 12.7	90°
	JAA00261AAB106	Sheave	(8) Φ 12.7	

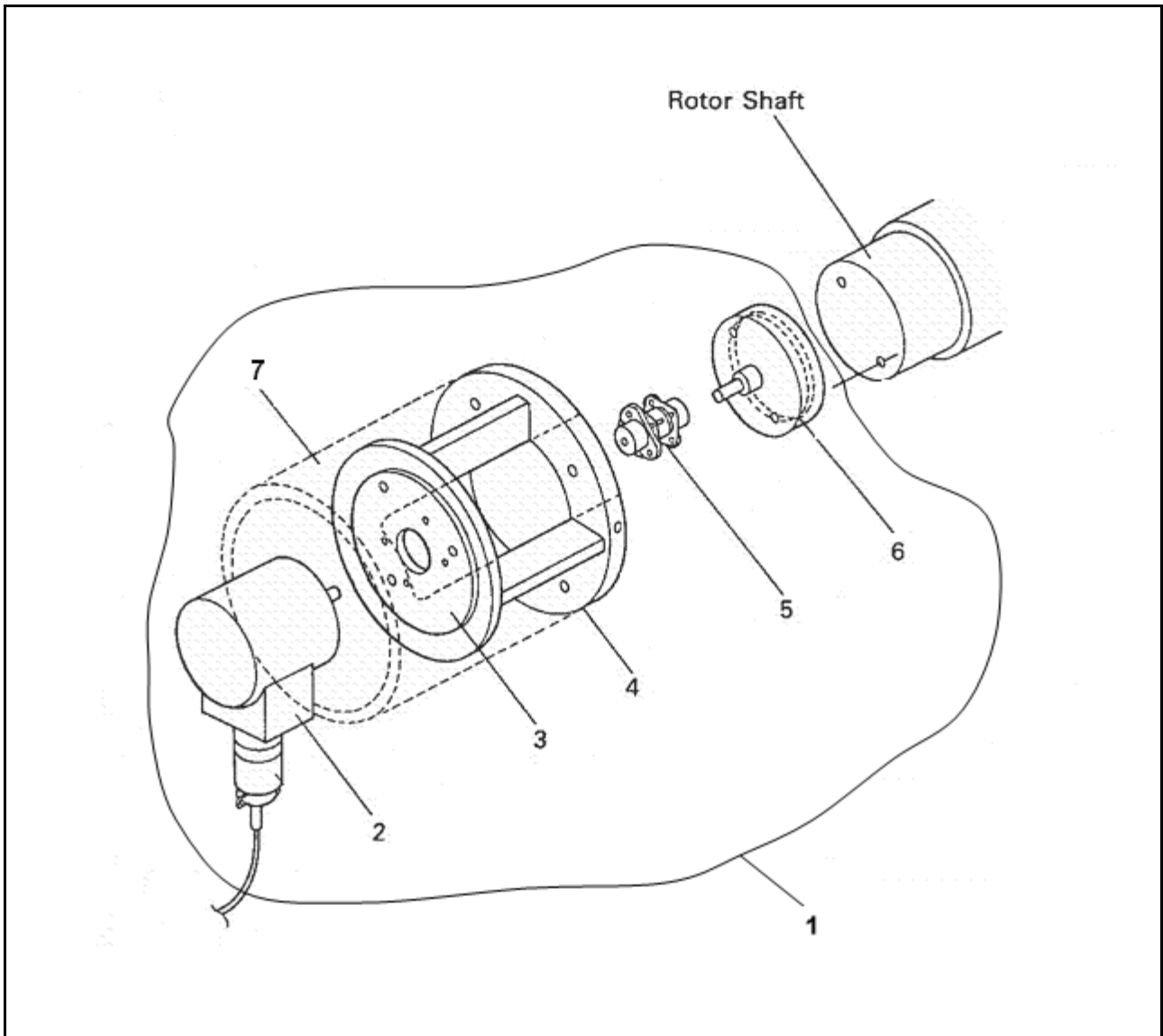
ARRANGEMENT

ASSEMBLY NO.	LOAD	VOLTAGE	HAND	APPLICATION	
JAA20220AAL101	900-1800Kg	346V - 380V		CEN Version	
JAA20220AAL102					
JAA20220AAL103		400V - 440V			
JAA20220AAL104					
JAA20220AAL105		480V / 60Hz			
JAA20220AAL106					
JAA20220AAL107		480V / 50Hz			
JAA20220AAL108					
JAA20220AAL109		480V / 60Hz		CSA Version	
JAA20220AAL201		CEN Version	346V - 380V		
JAA20220AAL202					
JAA20220AAL203			400V - 440V		
JAA20220AAL204					
JAA20220AAL205			480V / 60Hz		
JAA20220AAL206					
JAA20220AAL207			480V / 50Hz		
JAA20220AAL208					
JAA20220AAL209			480V / 60Hz		CSA Version



JAA20220AAL		
REF. NO.	PART or ML	DESCRIPTION
1	👁️ Page 11	Brake Assembly
2	👁️ Page 13	Rotor Assembly & Parts
3	👁️ Page 9	Blower
4	👁️ Page 9, 10	PVT Assembly
5	JAA00293AAA001	Bed Plate
6	👁️ Page 9	Terminal Assembly
7	AGN	Nipple Grease JIS B1575 C type
8	JAA384AHF1	Rope Guard
9	👁️ Page 6	Sheave

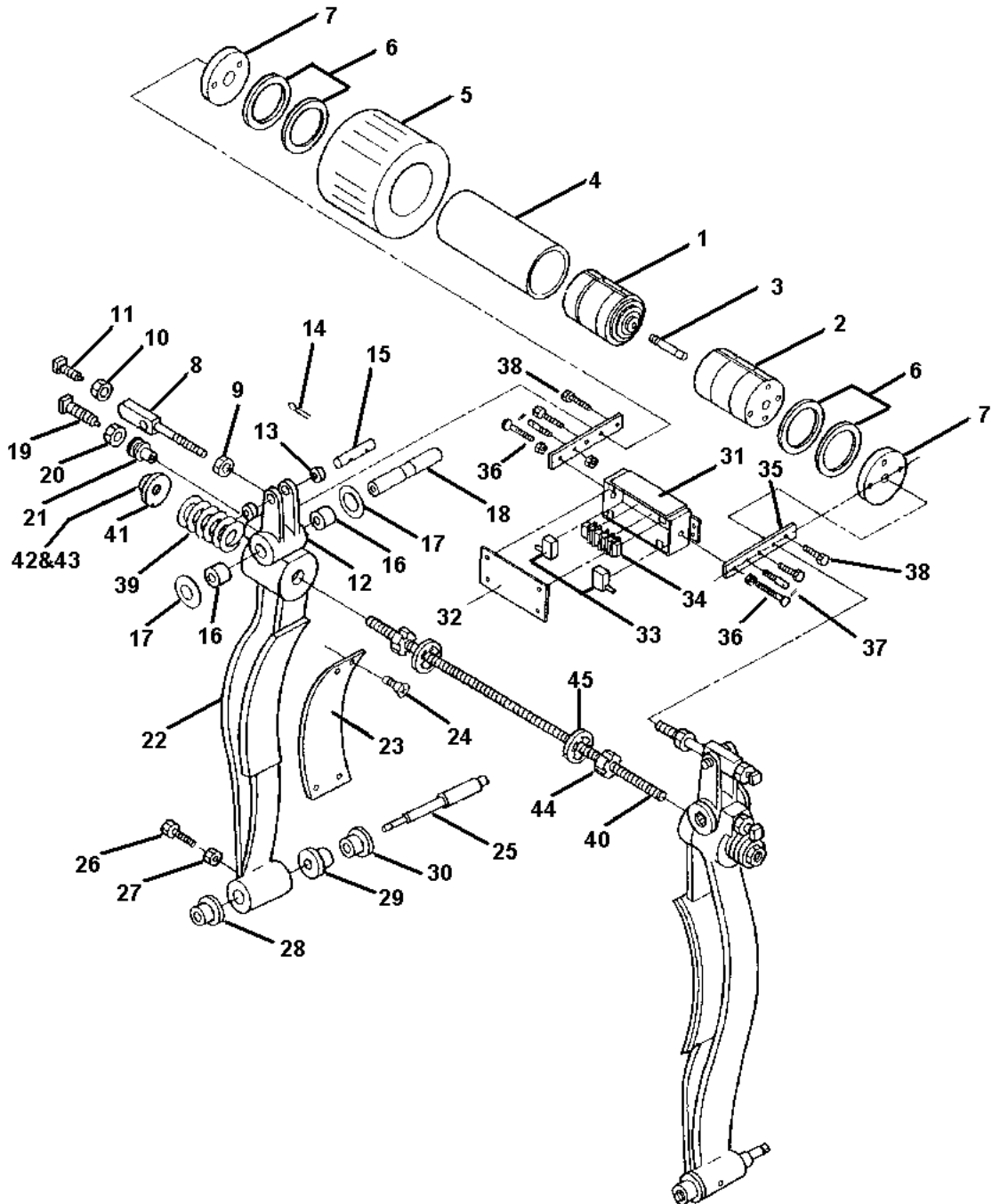
ASSEMBLY NO.	DESCRIPTION		
	Blower	PVT Assembly ( Page 10)	Terminal Assembly
JAA20220AAL101	JAA24721ABB2	JAA21410AAJ004	JBA00303ACG001
JAA20220AAL102			JBA00303ACG002
JAA20220AAL103	JAA24721ABB3		JBA00303ACG001
JAA20220AAL104			JBA00303ACG002
JAA20220AAL105			JBA00303ACG001
JAA20220AAL106			JBA00303ACG002
JAA20220AAL107	JAA24721ABB4		JBA00303ACG001
JAA20220AAL108			JBA00303ACG002
JAA20220AAL109	JAA24721ABB3		JBA00303ABZ001
JAA20220AAL201	JAA24721ABB2		JAA21410AAJ002
JAA20220AAL202		JBA00303ACG002	
JAA20220AAL203	JAA24721ABB3	JBA00303ACG001	
JAA20220AAL204		JBA00303ACG002	
JAA20220AAL205		JBA00303ACG001	
JAA20220AAL206		JBA00303ACG002	
JAA20220AAL207	JAA24721ABB4	JBA00303ACG001	
JAA20220AAL208		JBA00303ACG002	
JAA20220AAL209	JAA24721ABB3	JBA00303ABZ001	



		JAA21410AAL		
		101-109	201-209	
REF. NO.	PART or ML		DESCRIPTION	
1	JAA21410AAJ004	JAA21410AAJ002	PVT Ass'y	
2	AAA659C3 AAA659C1	-	Encoder	
3	JAA00462AES001	-	Spacer	
4	JAA00316AAZ001		Stand	
5	215BN7	-	Coupling	
6	JAA00081AAJ002		Drive Pin	
7	JBA00285AAF003	JBA00285AAF002	Cover	

Brake Assembly

06-JAA20220AAF



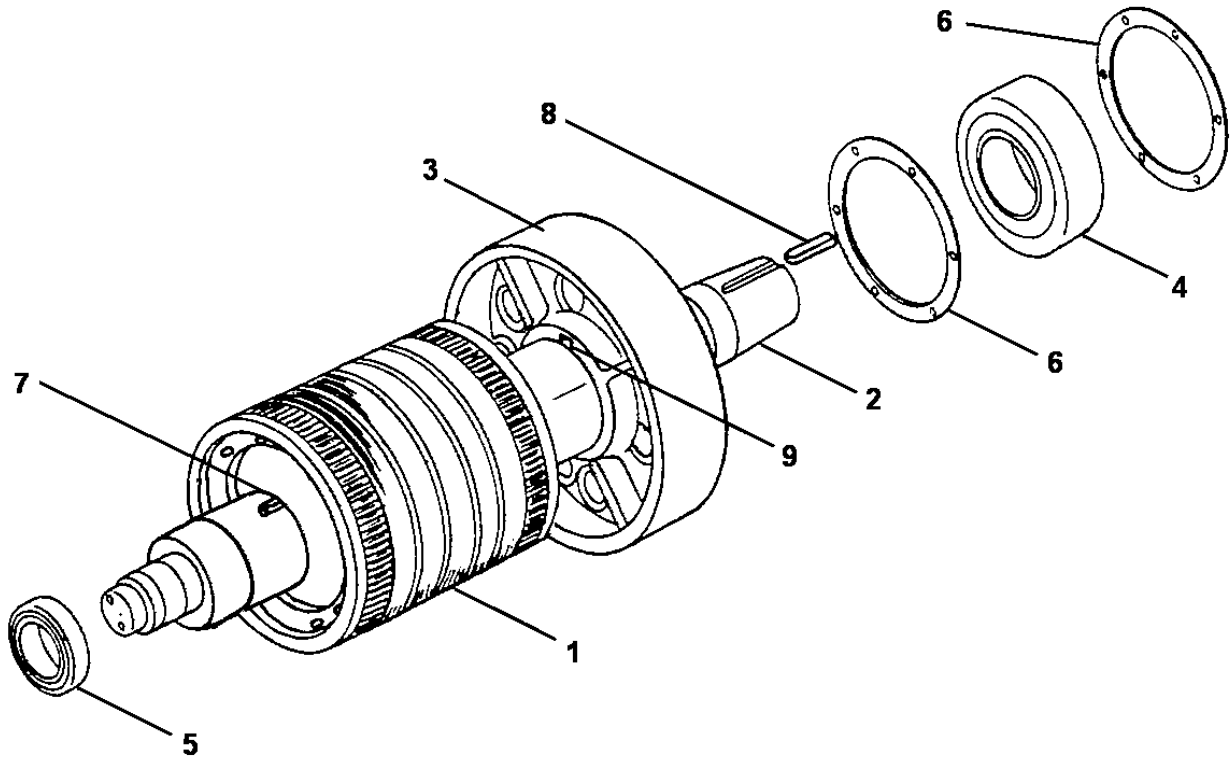
JAA20220AAL		
REF. NO.	PART or ML	DESCRIPTION
1	JAA400ABB1	Magnet Core
2&3	JAA400ABA1 (77RG2)	Magnet Core (Integrated with Pin) (Pin)
4	JM136R10	Tube
5	JAA00234AAS001	Magnet Coil
6	128AG53	Washer

06-JAA20220AAF**Brake Assembly**

7	JAA346AZV1	Cover
8	JAA65AKW1	Bolt
9	NSM20-H	Hex. Full Nut (M20 P:1.5)
10	JSM20-H	Hex. Jam Nut (M20 P:1.5)
11	BFM20X050-H	Hex. HD. Fin Bolt (M20X50 P:1.5)
12&13	JXB288HX2	Lever with Needle Bearing
	JXB288HX1	Lever
	209A6	Needle Bearing
14	PC3.2X35	Cotter Pin
15	JO82AA3	Pin
16	209A7	Needle Bearing (Assemble to Brake Frame JAA00358AAD002)
17	128AL2	Washer
18	77LG3	Pin
19	BFM20X065-H	Hex. HD. Fin Bolt (M20X65 P:1.5)
20	JSM20-H	Hex. Jam Nut (M20 P:1.5)
21	81BN2	Pin
22-24	JAA286ABD2	Lever with Lining and Rivet
	B416Y1	Lining, Brake
	145C3 153C3	Special Flat Head Copper Rivet
	JAA286ABD1	Lever
25	JAA00081AFN001	Pin
26	BFM16X050-FULL	Hex. HD. Fin. Full Bolt
27	JSM16	Hex. Jam Nut
28	JAA335AAJ1	Pole piece
29	335H14	Bushing
30	335H14	Bushing
		(Assemble to Brake Frame JAA00358AAD002)
31	JAA308AMM2	Box
32	JAA346AZW1	Cover
33	177Y1	Micro Switch
34	JAA00303ACF001	Board
35	JX288NH6	Lever
36	JAA00124AAA001, JSM12	Screw & Hex. Jam Nut
37	JAA98AKA1 , NSM10 , LWS10 , PC2.5X32	Rod, Hex. Full Nut, Spring Lock Washer & Cotter Pin
38	BFM08X045 , LWS08	Hex. HD. Fin. Bolt & Spring Lock Washer
39	90JD4	Spring
40	JAA98AKV1	Rod
41	ABA133AAB1	Washer
42	NSM24	Hex. Full Nut
43	JSM24	Hex. Jam Nut
44	NSM24	Hex. Full Nut
45	LWS24	Spring Lock Washer

Rotor Assembly & Parts

06-JAA20220AAF



	JAA20220AAL 101-109	JAA20220AAL 201-209	
REF. NO.	PART or ML		DESCRIPTION
1	JAA20220AAM001	---	Motor Assembly 35kW
	---	JAA00751AAD407	Motor Assembly 28kW
	---	JAA00751AAD408	Motor Assembly 35kW
	---	JAA00751AAD409	Motor Assembly 40kW
2	JAA00461AAB002		Shaft
3	198Y1		Brake Pulley
4	209G14		Roller Bearing
5	JAA00207AAA001		Ball Bearing
6	376T16		Gasket
7	JAA00192AAB002		Key
8	JAA00192AAB003		Key
9	192G107		Key