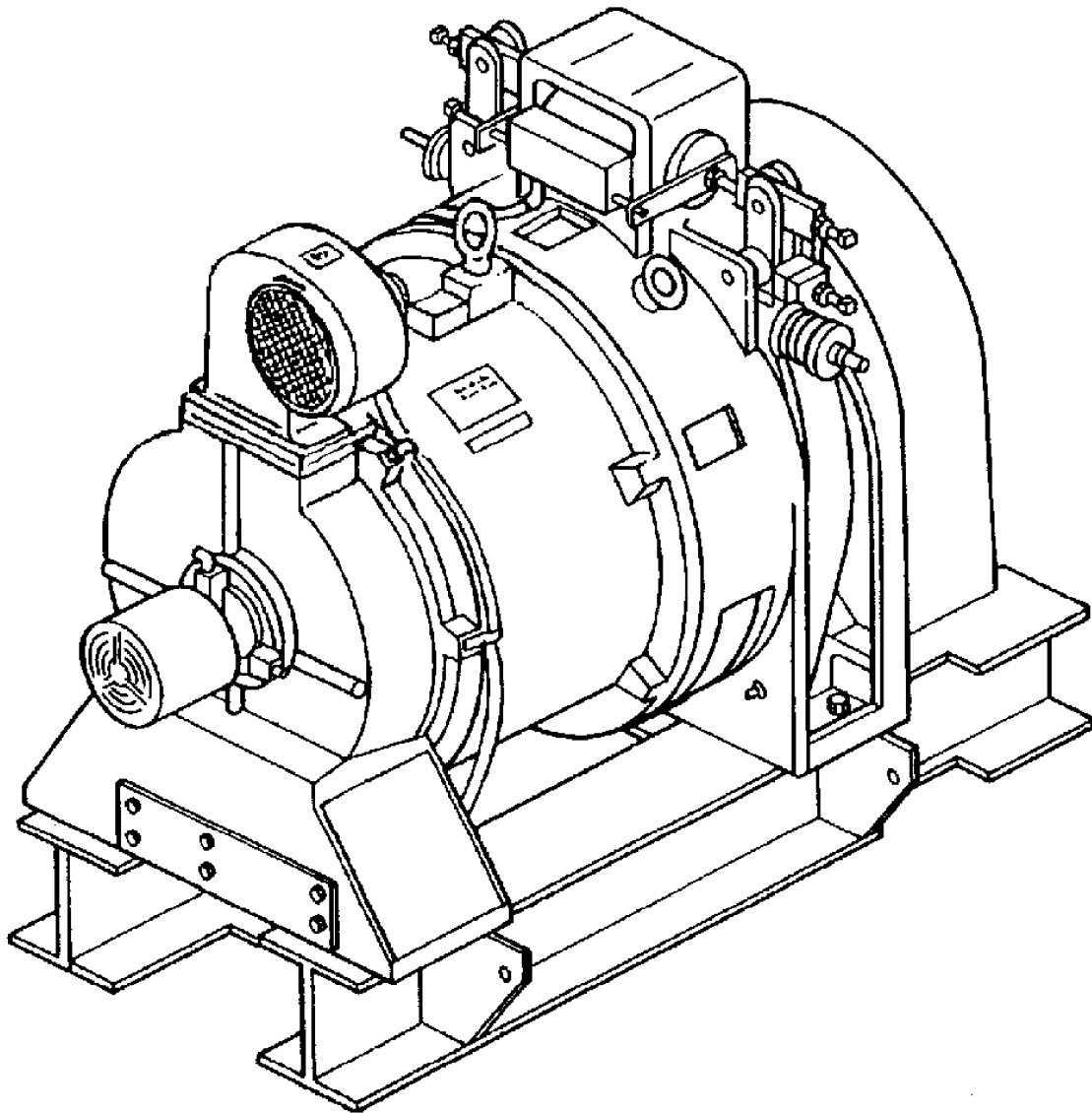


156MST machine
(TATUNG, APA/NAA, OVF)

Spare Parts Leaflet

06-JAA20220AAK

February 19, 2014 / Page 1 of 9



OTIS

SERVICE ENGINEERING
Otis Elevator Company
Shibayama Factory, Japan

Unpublished Work—© Otis Elevator Co.; 2014

Leaflet Description

This leaflet provides spare parts information for 156MST machine

Made in TATUNG.

Used for OVF DRIVE and SPS / NAAVersion.

Leaflet Revisions

| Date Revised | Subject Matter Expert | Reason for Revision |
|---------------------|------------------------------|---------------------------------|
| August 1, 2001 | Hirayama Hiroyuki | New SPL |
| August 20, 2009 | Yamaoka, Kakayuki | Update: Changed Sheave (Page 9) |
| February 19, 2014 | Val Sheynkman | Updated p. 9 |

Related Drawings

| Drawing No. | Title | Drawing No. | Title |
|--------------------|--------------|--------------------|--------------|
| --- | --- | --- | --- |
| --- | --- | --- | --- |

Related Documents

| Document ID | Title |
|--------------------|--------------|
| --- | --- |
| --- | --- |

Subject Matter Expert

| Name | Department |
|---------------|-------------------------|
| Val Sheynkman | OSC Service Engineering |

About Spare Parts Leaflets...

This document lists the lowest replaceable units (LRUs) for the standard version of the product. The LRUs are chosen by a team of Otis associates representing engineering and manufacturing.

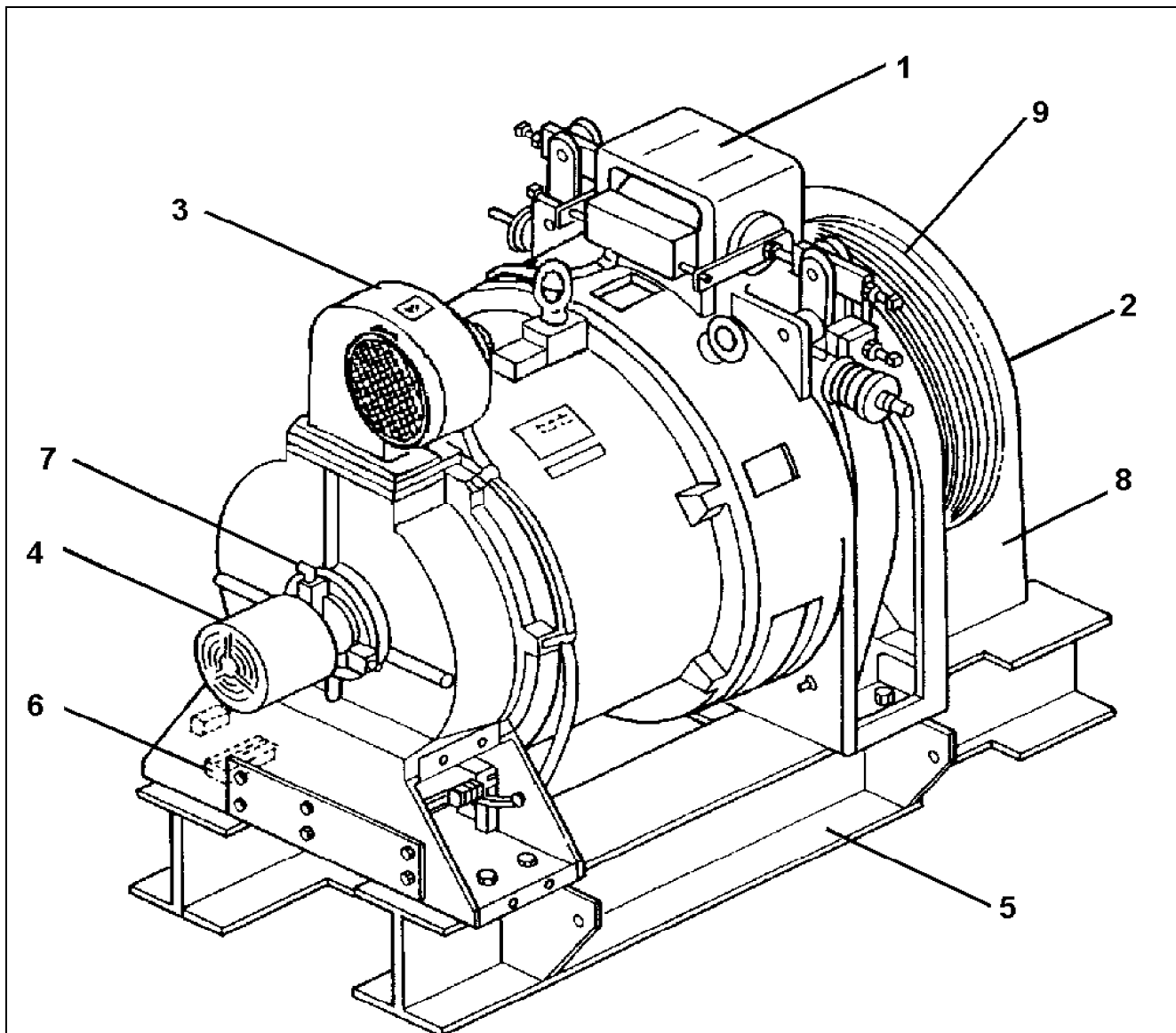
While goal of this document is to make parts identification as easy as possible, the document cannot be all-inclusive. Elevator and escalator contracts classified as “special” or “custom” are not addressed here. For such contracts, please refer to specified information, the contract folder, TIPs, Field Education Articles, Construction Letters, etc. for further information.

If you have any suggestions about this document, please contact the subject matter expert listed on this page.

Arrangement

06-JAA20220AAK

| ASSEMBLY NO. | LOAD(Kg) | VOLTAGE | HAND | APPLICATION |
|---------------------|-----------------|----------------|-------------|--------------------|
| JAA20220AAK001 | 900 - 1350 | 200V - 220V | Right Hand | APA Version |
| JAA20220AAK002 | | | Left Hand | |
| JAA20220AAK003 | | 346V - 380V | Right Hand | |
| JAA20220AAK004 | | | Left Hand | |
| JAA20220AAK005 | | 400V - 440V | Right Hand | |
| JAA20220AAK006 | | | Left Hand | |
| JAA20220AAK007 | | 480V | Right Hand | NAA Version |
| JAA20220AAK101 | 1600 - 1800 | 200V - 220V | Right Hand | APA Version |
| JAA20220AAK102 | | | Left Hand | |
| JAA20220AAK103 | | 346V - 380V | Right Hand | |
| JAA20220AAK104 | | | Left Hand | |
| JAA20220AAK105 | | 400V - 440V | Right Hand | |
| JAA20220AAK106 | | | Left Hand | |
| JAA20220AAK107 | | 480V | Right Hand | NAA Version |

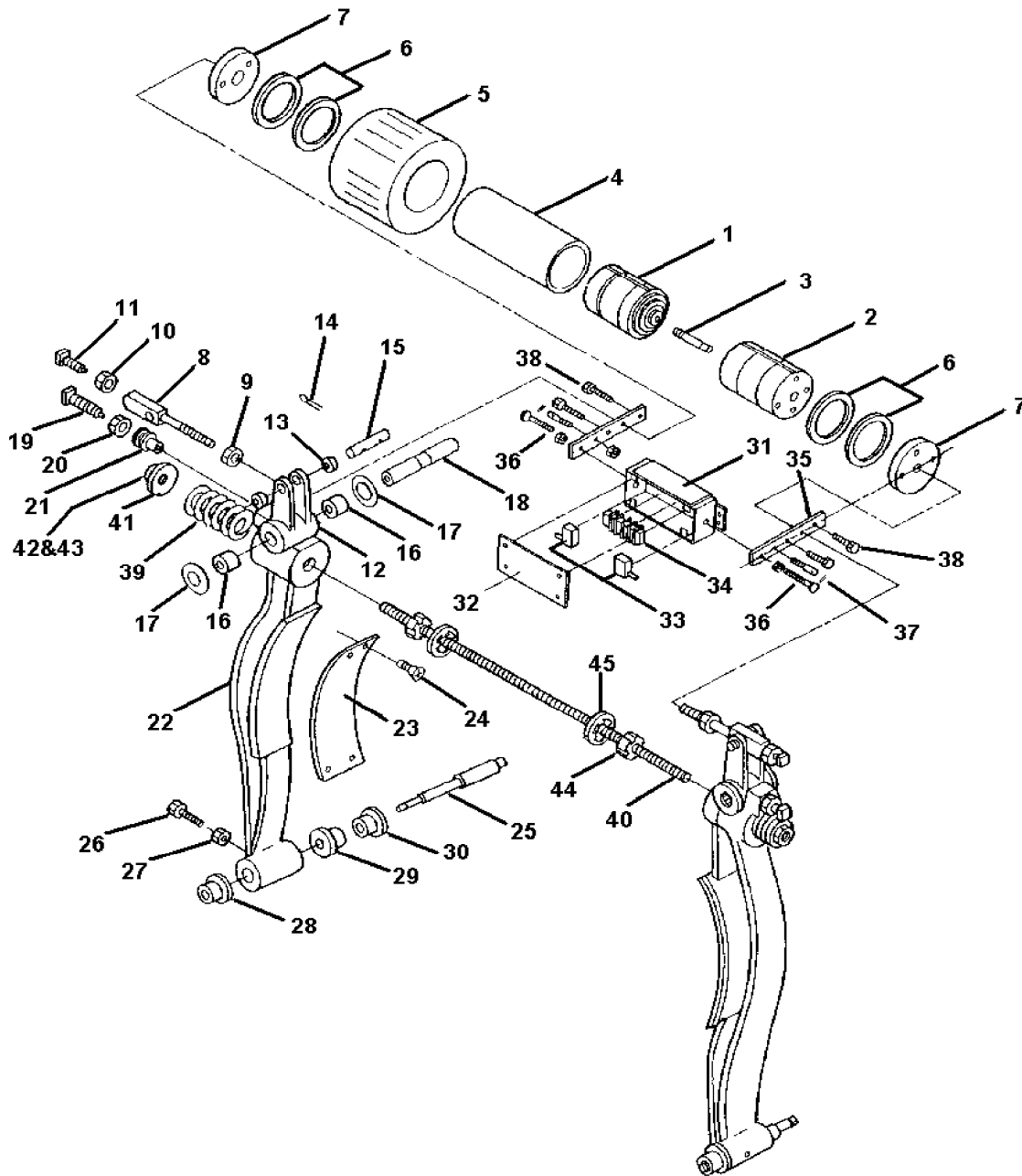


| JAA20220AAK | | |
|--------------------|-------------------|--------------------------------|
| REF. NO. | PART or ML | DESCRIPTION |
| 1 | 👁 Page 6 | Brake Assembly |
| 2 | 👁 Page 8 | Rotor Assembly & Parts |
| 3 | 👁 Page 5 | Blower |
| 4 | 👁 Page 5 | PVT Assembly |
| 5 | JAA00293AAA001 | Bed Plate |
| 6 | 👁 Page 5 | Terminal Assembly |
| 7 | AGN | Nipple Grease JIS B1575 C type |
| 8 | LX384SR1 | Rope Guard |
| 9 | 👁 Page 9 | Sheave |

Machine Assembly

06-JAA20220AAK

| ASSEMBLY NO. | DESCRIPTION | | |
|----------------|----------------|----------------|-------------------|
| | Blower | PVT Assembly | Terminal Assembly |
| JAA20220AAK001 | JAA00301AAG001 | JAA21410AAJ003 | JBA00303ACG001 |
| JAA20220AAK002 | | | JBA00303ACG002 |
| JAA20220AAK003 | JAA00301AAG002 | | JBA00303ACG001 |
| JAA20220AAK004 | | | JBA00303ACG002 |
| JAA20220AAK005 | JAA00301AAG003 | | JBA00303ACG001 |
| JAA20220AAK006 | | | JBA00303ACG002 |
| JAA20220AAK007 | | JAA21410AAJ002 | JBA00303ABZ001 |
| JAA20220AAK101 | JAA00301AAG001 | JAA21410AAJ003 | JBA00303ACG001 |
| JAA20220AAK102 | | | JBA00303ACG002 |
| JAA20220AAK103 | JAA00301AAG002 | | JBA00303ACG001 |
| JAA20220AAK104 | | | JBA00303ACG002 |
| JAA20220AAK105 | JAA00301AAG003 | | JBA00303ACG001 |
| JAA20220AAK106 | | | JBA00303ACG002 |
| JAA20220AAK107 | | JAA21410AAJ002 | JBA00303ABZ001 |



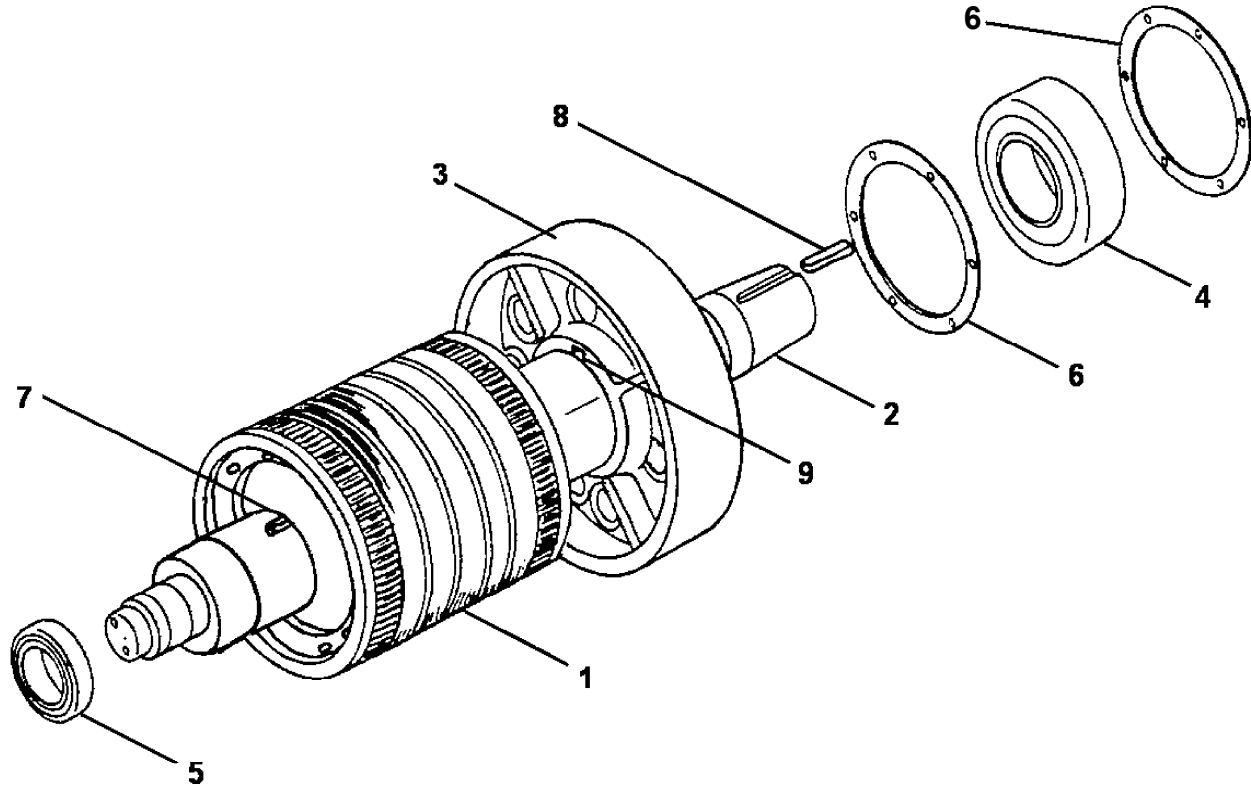
| | |
|--|--|
| JAA20220AAK 001 - 006 101 - 106 | JAA20220AAK 007 & 107 |
|--|--|

| REF. NO. | PART or ML | DESCRIPTION |
|-----------------|-------------------|--------------------|
| 1 | LX400DB1 | Magnet Core |
| 2 | LX400DD1 | Magnet Core |
| 3 | 77RG2 | Pin |
| 4 | 136R10 | Tube |

Brake Assembly

06-JAA20220AAK

| | | | |
|----|------------------------------------|------------|--|
| 5 | JAA00234AAS001 | | Magnet Coil |
| 6 | 128AG53 | | Washer |
| 7 | 346AMA1 | | Cover |
| 8 | GX65GA501 | | Bolt |
| 9 | NSM20-H | | Hex. Full Nut |
| 10 | JSM20-H | | Hex. Jam Nut |
| 11 | BFM20X050-H | | Hex. HD. Fin Bolt |
| 12 | JXB288HX2 | | Lever |
| 13 | 209A6 | | Needle Bearing |
| 14 | PC3.2X35 | | Cotter Pin |
| 15 | JO82AA3 | | Pin |
| 16 | 209A7 | | Needle Bearing |
| 17 | 128AL2 | | Washer |
| 18 | LX77LG3 | | Pin |
| 19 | BFM20X065-H | | Hex. HD. Fin Bolt |
| 20 | NSM20-H | | Hex. Full Nut |
| 21 | 81BN2 | | Pin |
| 22 | GOA286F2 | ACA286AAA2 | Lever |
| 23 | GXA416Y1 | B416Y1 | Lining, Brake |
| 24 | 145C3 | | Special Flat Head Copper Rivet |
| 25 | JAA00081AFN001 | | Pin |
| 26 | BFM16X050-FULL | | Hex. HD. Fin. Full Bolt |
| 27 | JSM16 | | Hex. Jam Nut |
| 28 | JAA335AAJ1 | | Bushing |
| 29 | 335H14 | | Bushing |
| 30 | 335H14 | | Bushing |
| 31 | JX308HS1 | | Box |
| 32 | 346XC15 | | Cover |
| 33 | 177Y1 | | Micro Switch |
| 34 | 303G2 | | Board |
| 35 | 288NH5 | | Lever |
| 36 | JAA00124AAA001, JSM12 | | Screw & Hex. Jam Nut |
| 37 | JX96H98 , NSM10 , JSM10 , LWS10 | | Rod, Hex. Full Nut, Hex. Jam Nut & Spring Lock Washer |
| 38 | BFM08X045 , LWS08 | | Hex. HD. Fin. Bolt & Spring Lock Washer |
| 39 | 90JD11 | 90JD4 | Spring |
| 40 | LXMCO96A505 | | Rod |
| 41 | LX133AD500 | ABA133AAB1 | Washer |
| 42 | NSM24 | | Hex. Full Nut |
| 43 | JSM24 | | Hex. Jam Nut |
| 44 | NSM24 | | Hex. Full Nut |
| 45 | LWS24 | | Spring Lock Washer |

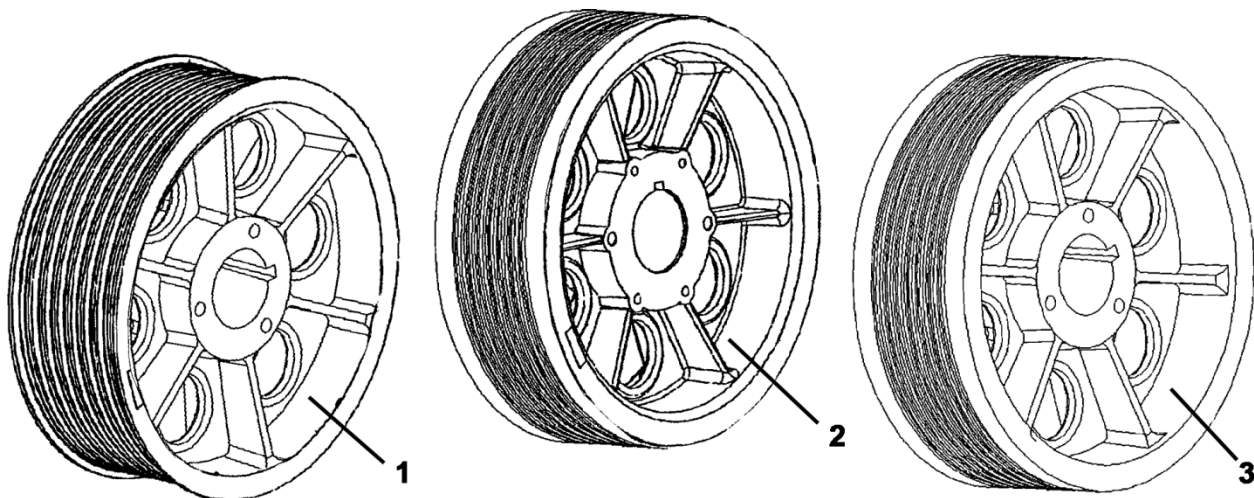


| | |
|----------------------------------|----------------------------------|
| JAA20220AAK 001 - 007 | JAA20220AAK 101 - 107 |
|----------------------------------|----------------------------------|

| REF. NO. | PART or ML | DESCRIPTION |
|-----------------|---------------------------------|--------------------|
| 1 | JAA00751AAF | Motor Assembly |
| 2 | JAA00461AAB001 JAA00461AAB002 | Shaft |
| 3 | LX198Y2 | Brake Pulley |
| 4 | 209G14 | Roller Bearing |
| 5 | JAA00207AAA001 | Ball Bearing |
| 6 | 376T16 | Gasket |
| 7 | JAA00192AAB001 JAA00192AAB002 | Key |
| 8 | 192D37 | Key |
| 9 | 192G107 | Key |

Sheave

06-JAA20220AAK



| JAA20220AAK | | | | |
|--------------------|-----------------|--------------------|-----------------------|-----------------|
| REF. No. | PART No. | DESCRIPTION | NO. & SIZE | UNDERCUT |
| 1 | JAA00261AAB001 | Sheave | (6) Ø 12.7 | 90° |
| | JAA00261AAB002 | Sheave | (7) Ø 12.7 | |
| | JAA00261AAB003 | Sheave | (6) Ø 12.7 | 105° |
| | JAA00261AAB004 | Sheave | (7) Ø 12.7 | |
| | JAA00261AAB005 | Sheave | (5) Ø 12.7 | 90° |
| | JAA00261AAB006 | Sheave | (5) Ø 12.7 | 105° |
| 2 | JAA00261AAB101 | Sheave | (6) Ø 12.7 | 90° |
| | JAA00261AAB102 | Sheave | (7) Ø 12.7 | |
| | JAA00261AAB103 | Sheave | (6) Ø 12.7 | 105° |
| | JAA00261AAB104 | Sheave | (7) Ø 12.7 | |
| | JAA00261AAB105 | Sheave | (5) Ø 12.7 | 90° |
| | JAA00261AAB106 | Sheave | (8) Ø 12.7 | |
| 3 | JAA00261AAB201 | Sheave | (7) Ø 13 | 90° |
| | JAA00261AAB202 | Sheave | (8) Ø 13 | |