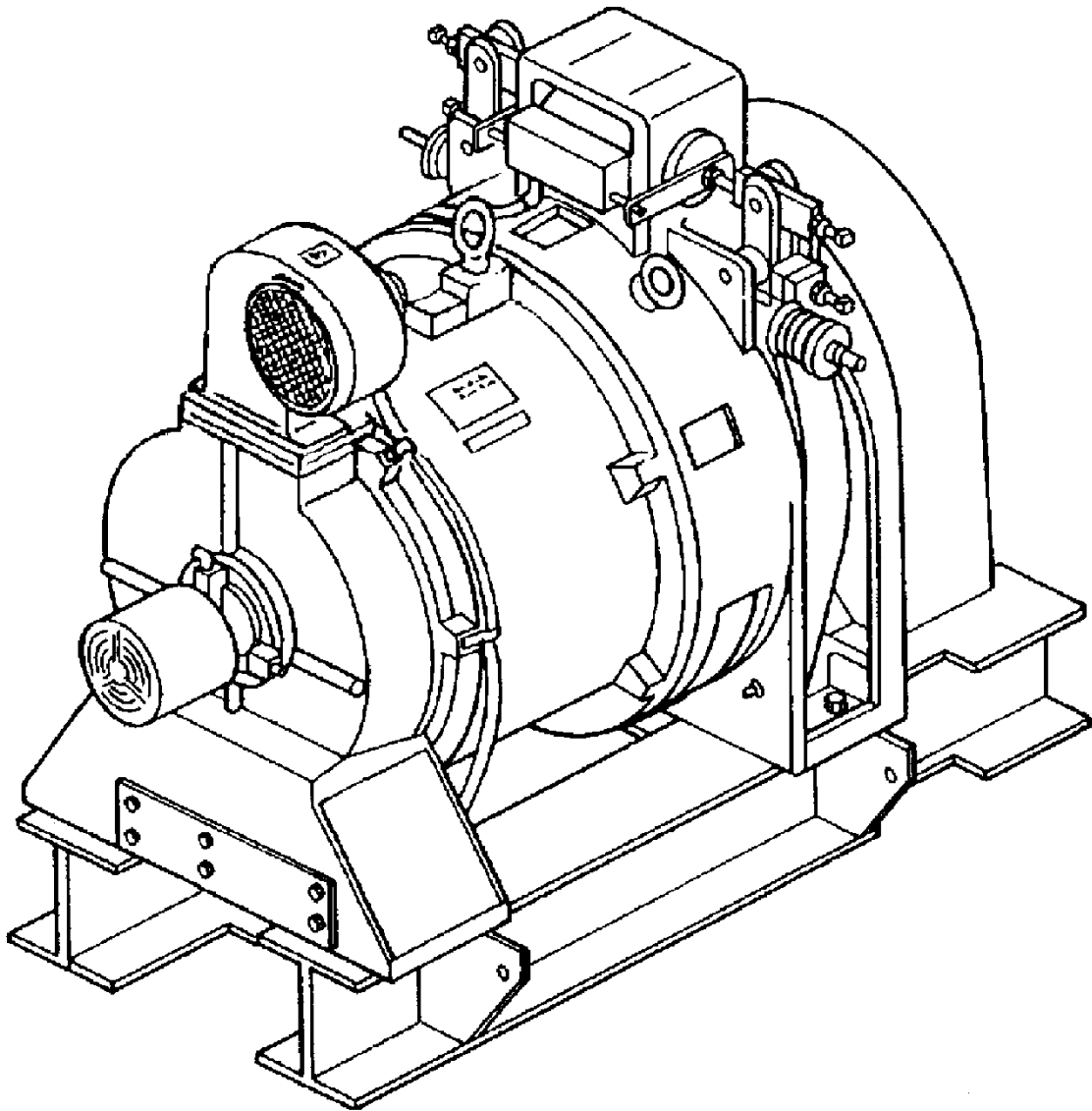


**156MST machine**  
(OVF416, CSA/CEN)

**Spare Parts Leaflet**

**06-JAA20220AAL**

**February 19, 2014 / Page 1 of 10**



**OTIS**

**SERVICE ENGINEERING**  
**Otis Elevator Company**  
**Shibayama Factory, Japan**

Unpublished Work—© Otis Elevator Co.; 2014

**Leaflet Description**

This leaflet provides spare parts information for 156MST machine.  
Used for OVF DRIVE and CSA / CEN code.

**Leaflet Revisions**

<b>Date Revised</b>	<b>Subject Matter Expert</b>	<b>Reason for Revision</b>
August 1, 2001	Hirayama Hiroyuki	New SPL
August 20, 2009	Yamaoka, Takayuki	Update: Changed Sheave (Page 8)
February 19, 2014	Val Sheynkman	Updated p. 9

**Related Drawings**

<b>Drawing No.</b>	<b>Title</b>	<b>Drawing No.</b>	<b>Title</b>
---	---	---	---

**Related Documents**

<b>Document ID</b>	<b>Title</b>
---	---

**Subject Matter Expert**

<b>Name</b>	<b>Department</b>
Val Sheynkman	OSC Service Engineering

**About Spare Parts Leaflets...**

This document lists the lowest replaceable units (LRUs) for the standard version of the product. The LRUs are chosen by a team of Otis associates representing engineering and manufacturing.

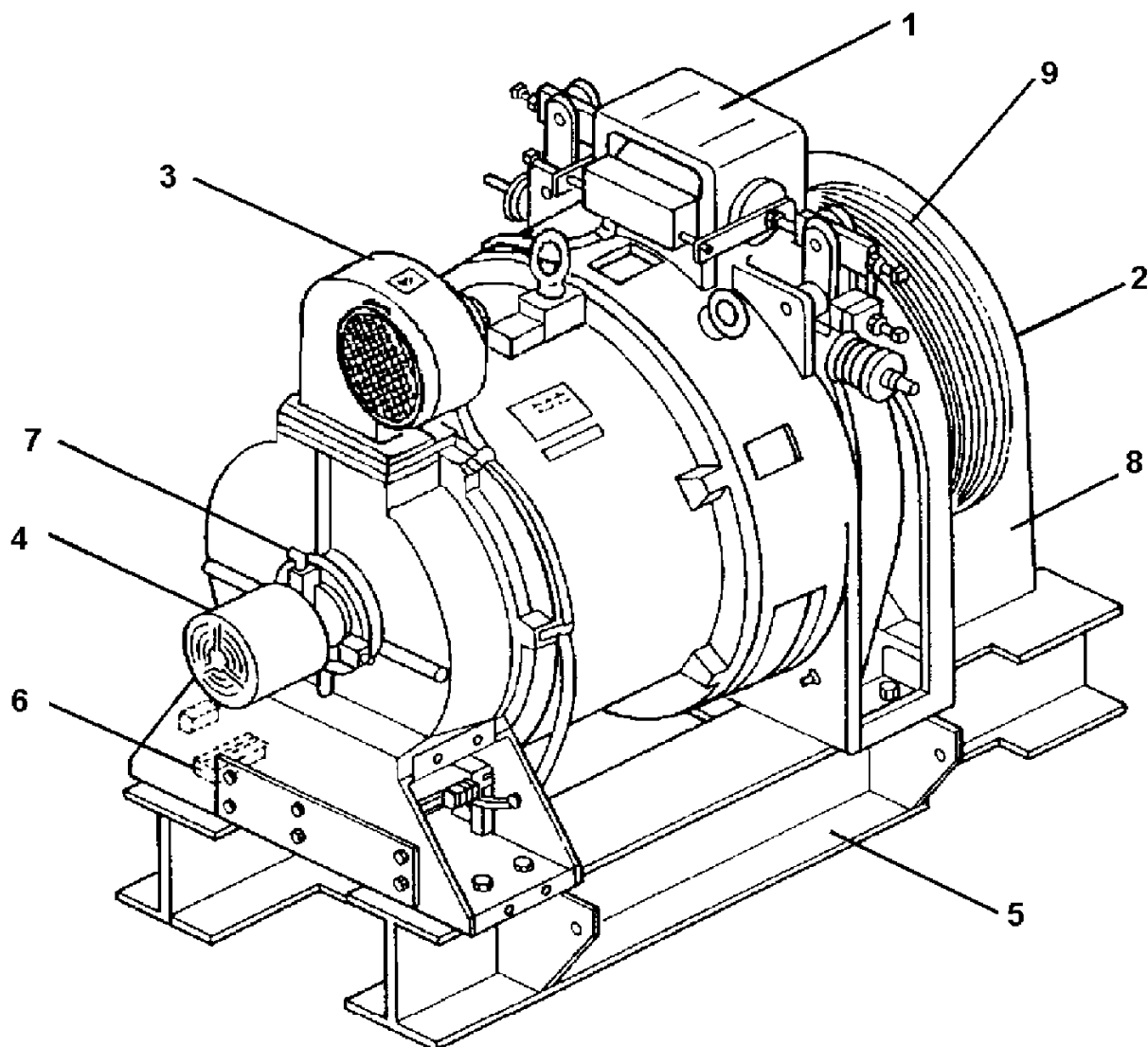
While goal of this document is to make parts identification as easy as possible, the document cannot be all-inclusive. Elevator and escalator contracts classified as “special” or “custom” are not addressed here. For such contracts, please refer to specified information, the contract folder, TIPS, Field Education Articles, Construction Letters, etc. for further information.

If you have any suggestions about this document, please contact the subject matter expert listed on this page.

# Arrangement

**06-JAA20220AAL**

ASSEMBLY NO.	LOAD	VOLTAGE	HAND	APPLICATION		
JAA20220AAL101	900-1800Kg	346V - 380V	Right Hand	CEN Version		
JAA20220AAL102			Left Hand			
JAA20220AAL103		400V - 440V	Right Hand			
JAA20220AAL104			Left Hand			
JAA20220AAL105		480V / 60Hz	Right Hand			
JAA20220AAL106			Left Hand			
JAA20220AAL107		480V / 50Hz	Right Hand			
JAA20220AAL108			Left Hand			
JAA20220AAL109		480V / 60Hz	Right Hand	CSA Version		
JAA20220AAL201		900-1800Kg	346V - 380V	Right Hand	CEN Version	
JAA20220AAL202				Left Hand		
JAA20220AAL203			400V - 440V	Right Hand		
JAA20220AAL204				Left Hand		
JAA20220AAL205			480V / 60Hz	Right Hand		
JAA20220AAL206				Left Hand		
JAA20220AAL207			480V / 50Hz	Right Hand		
JAA20220AAL208				Left Hand		
JAA20220AAL209			480V / 60Hz	Right Hand	CSA Version	
JAA20220AAL301			900-1800Kg	346V - 380V	Right Hand	CEN Version
JAA20220AAL302					Left Hand	
JAA20220AAL303				400V - 440V	Right Hand	
JAA20220AAL304		Left Hand				
JAA20220AAL305		480V / 60Hz		Right Hand		
JAA20220AAL306				Left Hand		
JAA20220AAL307		480V / 50Hz		Right Hand		
JAA20220AAL308				Left Hand		
JAA20220AAL309		480V / 60Hz		Right Hand	CSA Version	
JAA20220AAL401		900-1800Kg		346V - 380V	Right Hand	CEN Version
JAA20220AAL402					Left Hand	
JAA20220AAL403				400V - 440V	Right Hand	
JAA20220AAL404			Left Hand			
JAA20220AAL405			480V / 60Hz	Right Hand		
JAA20220AAL406				Left Hand		
JAA20220AAL407			480V / 50Hz	Right Hand		
JAA20220AAL408				Left Hand		
JAA20220AAL409			480V / 60Hz	Right Hand	CSA Version	



**JAA20220AAL**

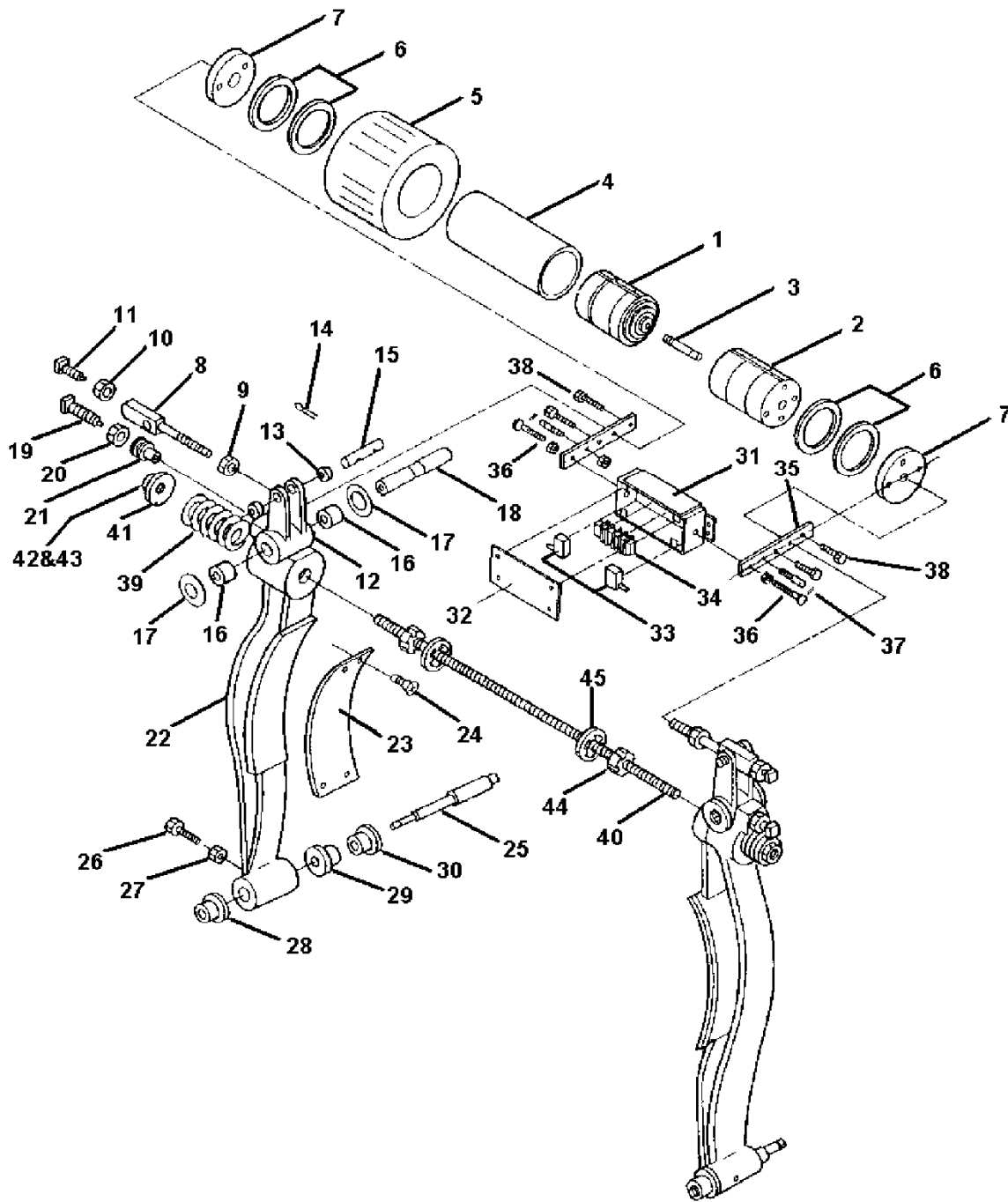
<b>REF. NO.</b>	<b>PART or ML</b>	<b>DESCRIPTION</b>
1	☞ Page 6	Brake Assembly
2	☞ Page 8	Rotor Assembly & Parts
3	☞ Page 5	Blower
4	☞ Page 5	PVT Assembly
5	JAA00293AAA001	Bed Plate
6	☞ Page 5	Terminal Assembly
7	AGN	Nipple Grease JIS B1575 C type
8	JAA384AHF1	Rope Guard
9	☞ Page 9	Sheave

# Machine Assembly

**06-JAA20220AAL**

ASSEMBLY NO.	DESCRIPTION		
	Blower	PVT Assembly	Terminal Assembly
JAA20220AAL101	JAA24721ABB2	JAA21410AAJ004	JBA00303ACG001
JAA20220AAL102			JBA00303ACG002
JAA20220AAL103	JAA24721ABB3		JBA00303ACG001
JAA20220AAL104			JBA00303ACG002
JAA20220AAL105			JBA00303ACG001
JAA20220AAL106			JBA00303ACG002
JAA20220AAL107	JAA24721ABB4		JBA00303ACG001
JAA20220AAL108			JBA00303ACG002
JAA20220AAL109			JBA00303ABZ001
JAA20220AAL201	JAA24721ABB2		JAA21410AAJ002
JAA20220AAL202		JBA00303ACG002	
JAA20220AAL203	JAA24721ABB3	JBA00303ACG001	
JAA20220AAL204		JBA00303ACG002	
JAA20220AAL205		JBA00303ACG001	
JAA20220AAL206		JBA00303ACG002	
JAA20220AAL207	JAA24721ABB4	JBA00303ACG001	
JAA20220AAL208		JBA00303ACG002	
JAA20220AAL209	JAA24721ABB3	JBA00303ABZ001	
JAA20220AAL301	JAA24721ABB2	JAA21410ABH1	
JAA20220AAL302			JBA00303ACG002
JAA20220AAL303	JAA24721ABB3		JBA00303ACG001
JAA20220AAL304			JBA00303ACG002
JAA20220AAL305			JBA00303ACG001
JAA20220AAL306			JBA00303ACG002
JAA20220AAL307	JAA24721ABB4		JBA00303ACG001
JAA20220AAL308			JBA00303ACG002
JAA20220AAL309	JAA24721ABB3		JBA00303ABZ001
JAA20220AAL401	JAA24721ABB2		JBA00303ACG001
JAA20220AAL402		JBA00303ACG002	
JAA20220AAL403	JAA24721ABB3	JBA00303ACG001	
JAA20220AAL404		JBA00303ACG002	
JAA20220AAL405		JBA00303ACG001	
JAA20220AAL406		JBA00303ACG002	
JAA20220AAL407	JAA24721ABB4	JBA00303ACG001	
JAA20220AAL408		JBA00303ACG002	
JAA20220AAL409	JAA24721ABB3	JBA00303ABZ001	

Page 10



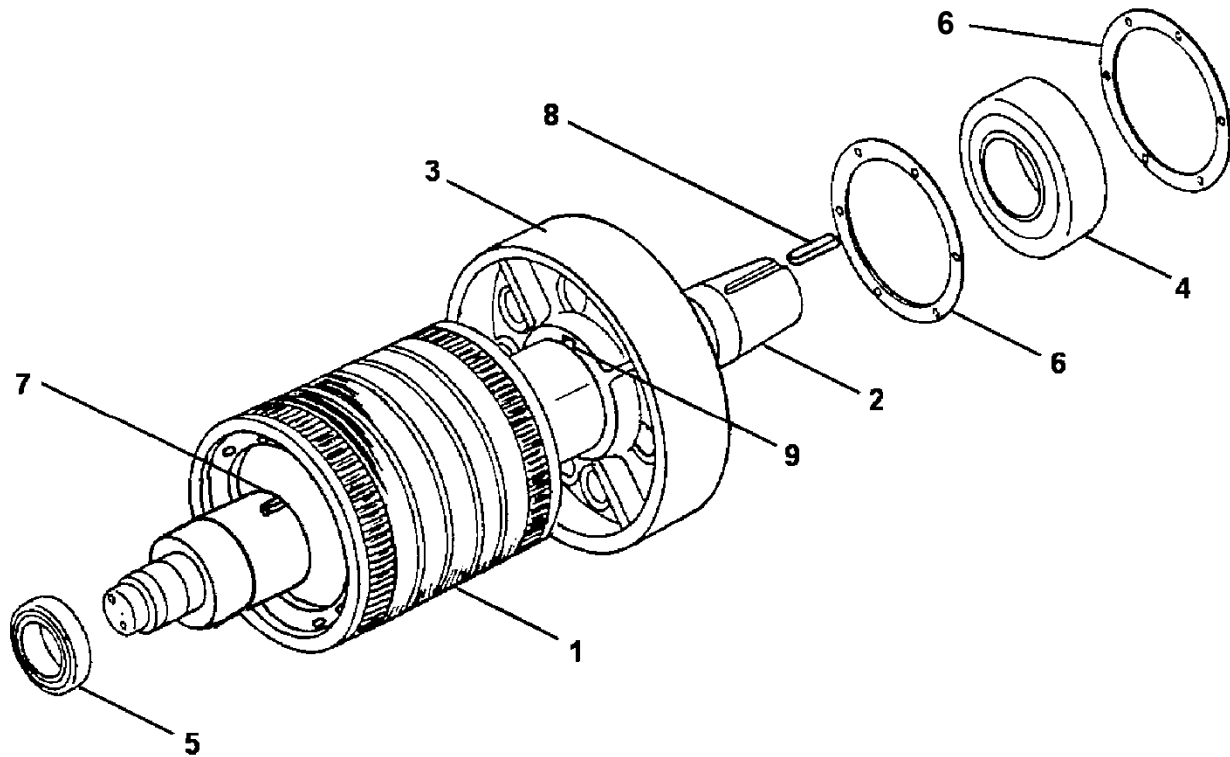
**JAA20220AAL**

REF. NO.	PART or ML	DESCRIPTION
1	JAA400ABA1	Magnet Core
2	JAA400ABB1	Magnet Core
3	77RG2	Pin
4	JM136R10	Tube

# Brake Assembly

**06-JAA20220AAL**

5	JAA00234AAS001	Magnet Coil
6	128AG53	Washer
7	JAA346AZV1	Cover
8	JAA65AKW1	Bolt
9	NSM20-H	Hex. Full Nut
10	JSM20-H	Hex. Jam Nut
11	BFM20X050-H	Hex. HD. Fin Bolt
12	JXB288HX2	Lever
13	209A6	Needle Bearing
14	PC3.2X35	Cotter Pin
15	JO82AA3	Pin
16	209A7	Needle Bearing
17	128AL2	Washer
18	77LG3	Pin
19	BFM20X065-H	Hex. HD. Fin Bolt
20	JSM20-H	Hex. Jam Nut
21	81BN2	Pin
22	JAA286ABD2	Lever
23	B416Y1	Lining, Brake
24	145C3	Special Flat Head Copper Rivet
25	JAA00081AFN001	Pin
26	BFM16X050-FULL	Hex. HD. Fin. Full Bolt
27	JSM16	Hex. Jam Nut
28	JAA335AAJ1	Bushing
29	335H14	Bushing
30	335H14	Bushing
31	JAA308AMM2	Box
32	JAA346AZW1	Cover
33	177Y1	Micro Switch
34	JAA00303ACF001	Board
35	JX288NH6	Lever
36	JAA00124AAA001, JSM12	Screw & Hex. Jam Nut
37	JAA98AKA1 , NSM10 , LWS10 , PC2.5X32	Rod, Hex. Full Nut, Spring Lock Washer & Cotter Pin
38	BFM08X045 , LWS08	Hex. HD. Fin. Bolt & Spring Lock Washer
39	90JD4	Spring
40	JAA98AKV1	Rod
41	ABA133AAB1	Washer
42	NSM24	Hex. Full Nut
43	JSM24	Hex. Jam Nut
44	NSM24	Hex. Full Nut
45	LWS24	Spring Lock Washer



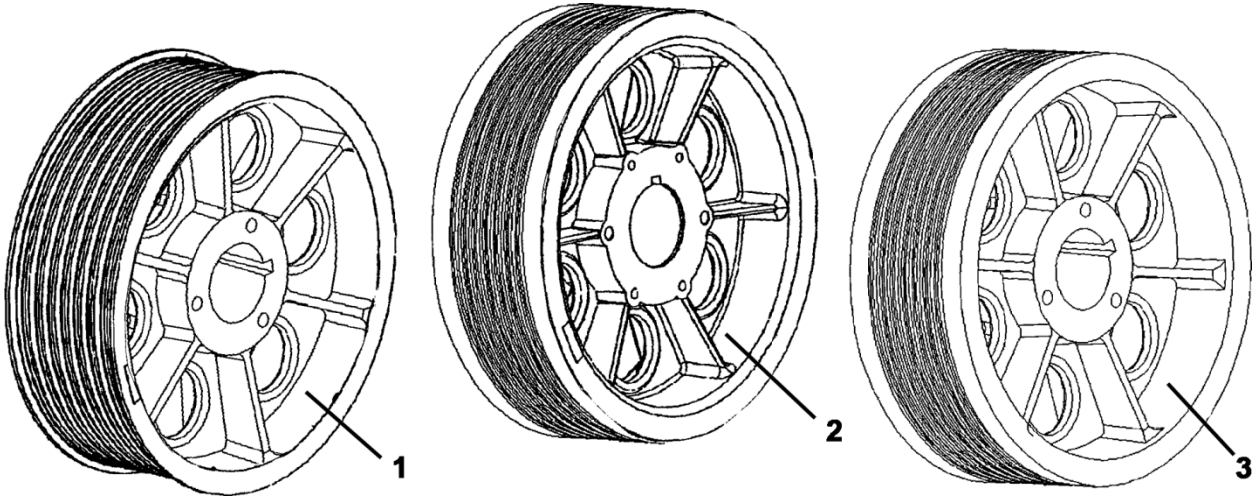
<b>JAA20220AAL 101-109 &amp; 301-309</b>	<b>JAA20220AAL 201-209 &amp; 401-409</b>
--	--

<b>REF. NO.</b>	<b>PART or ML</b>		<b>DESCRIPTION</b>
1	JAA20220AAM001	---	Motor Assembly 35kW
	---	JAA00751AAD407	Motor Assembly 28kW
	---	JAA00751AAD408	Motor Assembly 35kW
	---	JAA00751AAD409	Motor Assembly 40kW
2	JAA00461AAB002		Shaft
3	198Y1		Brake Pulley
4	209G14		Roller Bearing
5	JAA00207AAA001		Ball Bearing
6	376T16		Gasket
7	JAA00192AAB002		Key
8	JAA00192AAB003		Key
9	192G107		Key

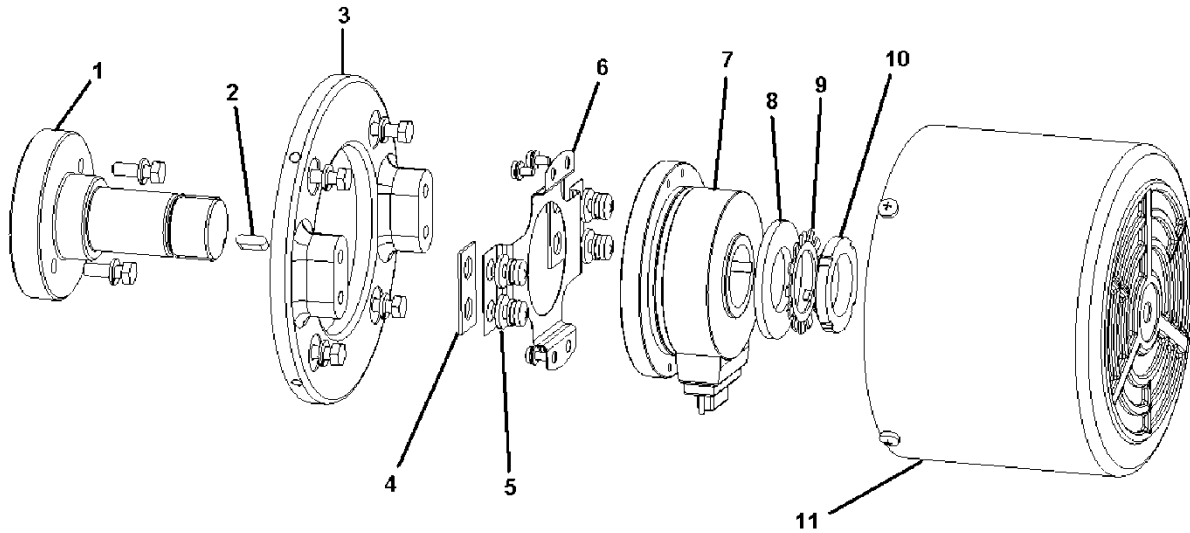


# Sheave

**06-JAA20220AAL**



<b>JAA20220AAL</b>				
<b>REF. No.</b>	<b>PART No.</b>	<b>DESCRIPTION</b>	<b>NO. &amp; SIZE</b>	<b>UNDERCUT</b>
1	JAA00261AAB001	Sheave	(6) Ø 12.7	90°
	JAA00261AAB002	Sheave	(7) Ø 12.7	
	JAA00261AAB003	Sheave	(6) Ø 12.7	105°
	JAA00261AAB004	Sheave	(7) Ø 12.7	
	JAA00261AAB005	Sheave	(5) Ø 12.7	90°
	JAA00261AAB006	Sheave	(5) Ø 12.7	105°
2	JAA00261AAB101	Sheave	(6) Ø 12.7	90°
	JAA00261AAB102	Sheave	(7) Ø 12.7	
	JAA00261AAB103	Sheave	(6) Ø 12.7	105°
	JAA00261AAB104	Sheave	(7) Ø 12.7	
	JAA00261AAB105	Sheave	(5) Ø 12.7	90°
	JAA00261AAB106	Sheave	(8) Ø 12.7	
3	JAA00261AAB201	Sheave	(7) Ø 13	90°
	JAA00261AAB202	Sheave	(8) Ø 13	



**JAA21410ABH1**

<b>REF. NO.</b>	<b>PART or ML</b>	<b>DESCRIPTION</b>
1	JAA494AED1	Shaft
2	192BA5	Key
3	JAA462AMF1	Spacer
4	JAA129ABF1	Insulator
5	JAA129ABG1	Insulator
6	JAA00316DBF001	Bracket
7	AAA633W1	Encoder
8	RWS30-UC	M30 Plain Washer (Ep-Fe/Zn 5/CM 1)
9	BWT30	AW06 Bearing Washer (Keyed Washer)
10	BNM30X1.5	M30X1.5 Bearing Nut
11	JAA285AYH1	Cover