

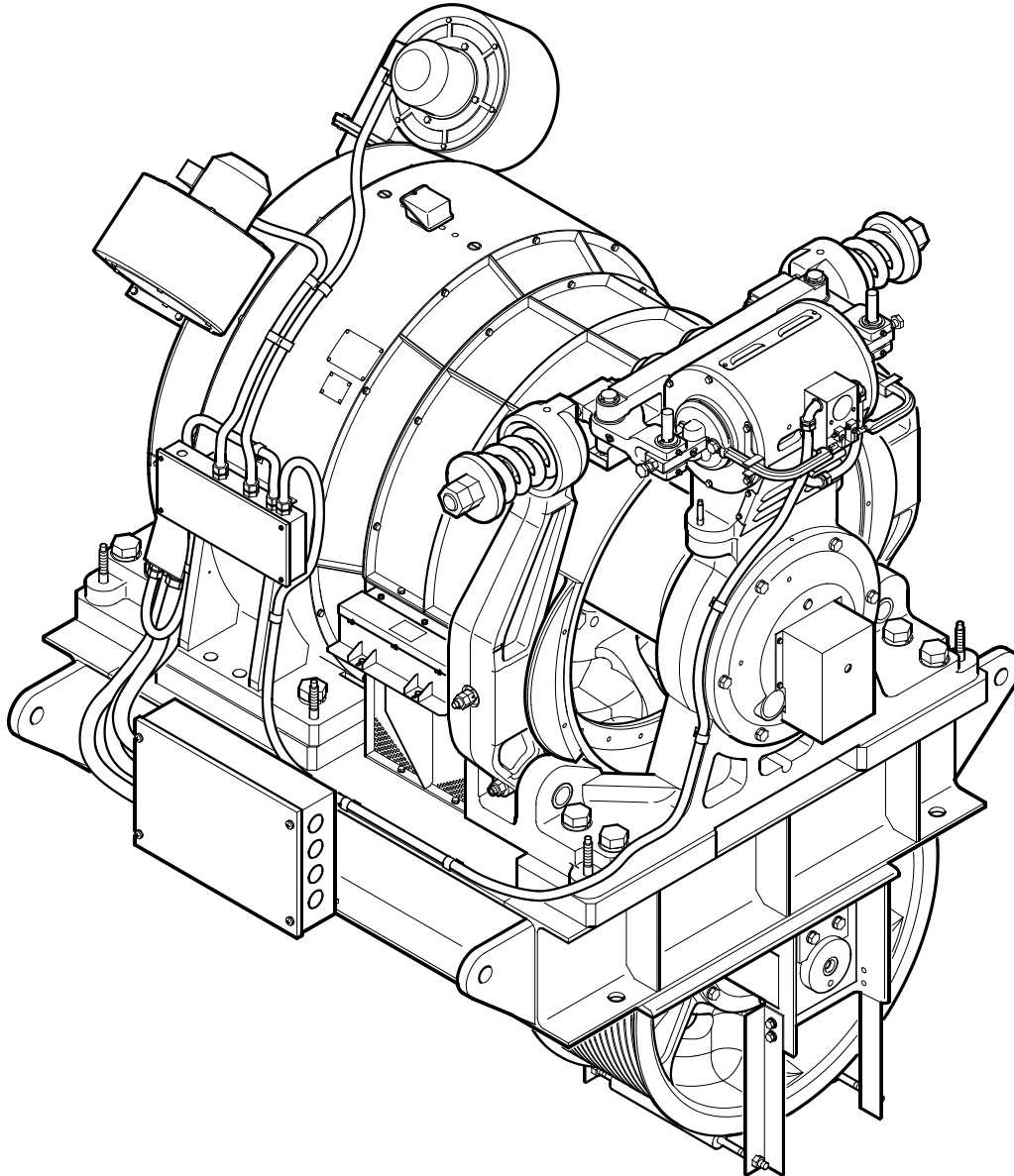
40T Machine

Spare Parts Leaflet

06-JAA20222AAB

May. 24, 2017 / Page 1 of 11

06 J-JEA20222AAB



OTIS

Safety First!

SERVICE ENGINEERING

**Otis Elevator Company
Shibayama Factory, Japan**

History
06-JAA20222AAB
First Published: December 1, 2000

40T Machine

REVISED DATE	RESPONSIBLE ENGINEER	PRIMARY REASON FOR REVISION
December 1, 2000	Hirayama, Hiroyuki	New SPL
Mar. 1, 2005	Yamaoka, Takayuki	Update parts & art work Add page 8-12
Jun. 3, 2016	Yamaoka, Takayuki	Added vintage tag. See Page 1. Changed Machine Assembly JBA20222AAB⇒JEA Changed Brake Ass'y JBA20237AAD⇒JCA. See Page 4. Changed Sec. Sheave JAA20830AAA⇒JBA. See Page 7. Changed Isolation JBA20855AAB⇒JCA. See Page 10. Added encoder JAB633ACD1. See Page 11.
May. 24, 2017	Yamaoka, Takayuki	Added Sheave JAA00261AAC001, 004 See Page 3. Added Insulator JAA129ACT1 See Page 5. Added Sheave JAA00265ABD001, 004 See Page 7. Added Fan jaa24721aan101-104 See Page 10.

Leaflet Description

This Leaflet provides spare parts information for 40T Machine

RELATED LEAFLET NUMBERS	TITLES

DRAWING REFERENCES		
JBA JEA20222AAB	JAA21410ABL	JBA JCA202855AAB
JBA JCA20237AAD	JAA JCA20830AAC	

RELATED DOCUMENT NUMBERS	TITLES

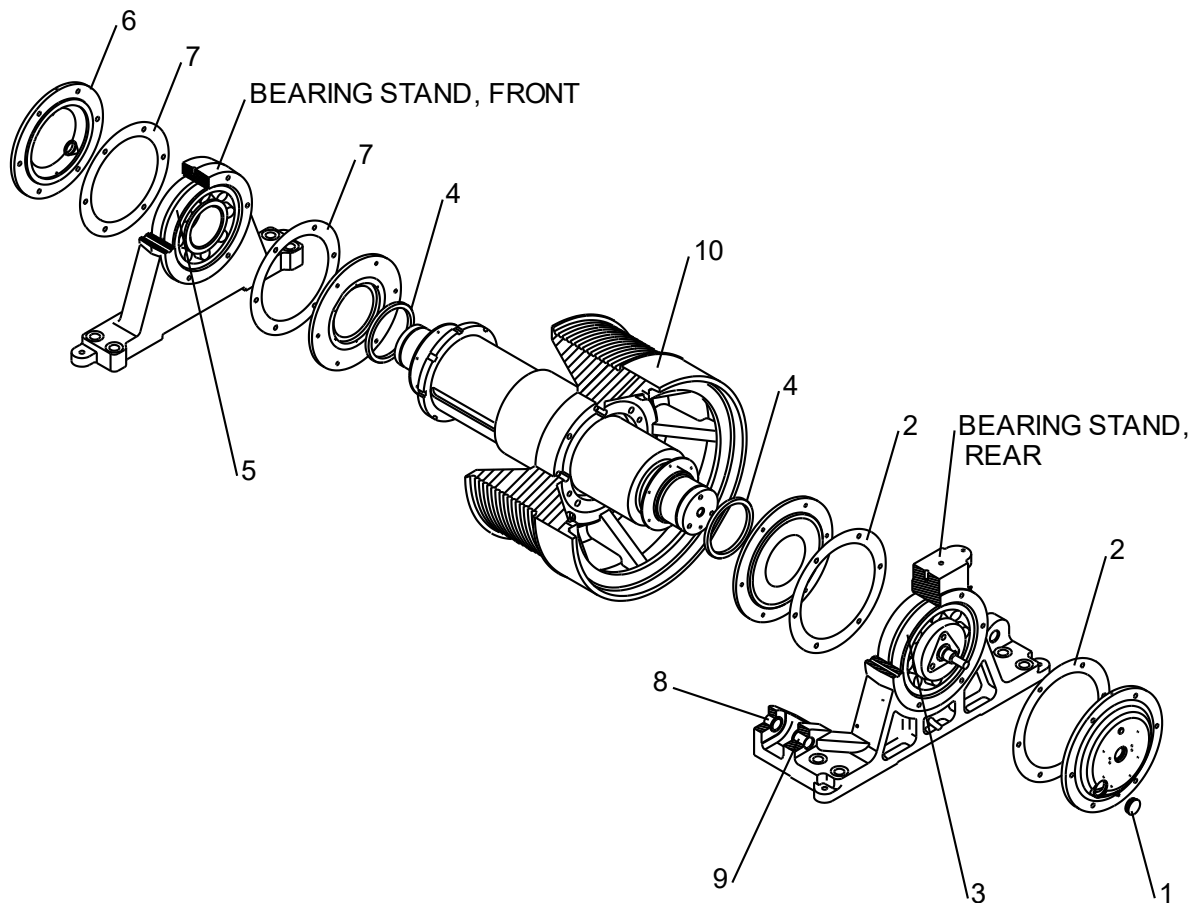
This Spare Parts Leaflet (SPL) is prepared to assist you in determining the Lowest Replaceable Units (LRU) supported by the Otis Service Center for the standard version of the product titled on the preceding page. The parts are chosen by Otis associates from: Engineering, Field Engineering, Service Engineering, and Manufacturing. We attempt to make part identification as easy as possible. The SPL, however, cannot be all inclusive. Elevator and escalator contracts classified as either "special" or "custom" are not addressed. Alternative sources of information such as: the Contract Folder, Technical Information Publications, Field Education Articles, Construction Letters, etc. may give the information you are after. You live in the real world of maintaining your elevator and escalator contracts. On a daily basis, situations arise regarding parts identification and at times, for some reason, the part you need is not in the SPL. If you think a standard part not listed should be—let us know. We will respond.



Yamaoka, Takayuki-Nippon OTIS Service Center

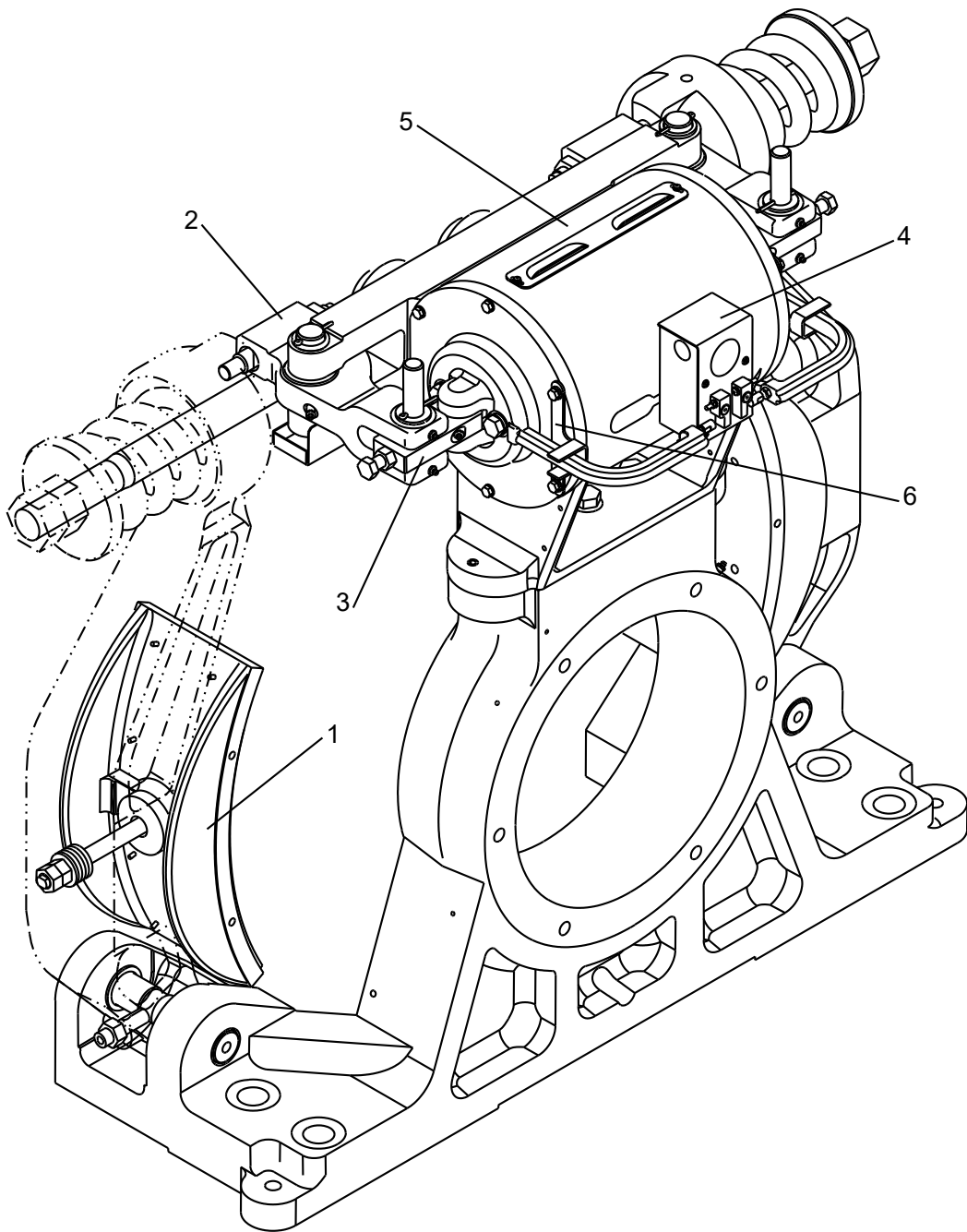
Rotor Assembly

06-JAA20222AAB



REF. NO.	PART or ML	DESCRIPTION
1	JAA00719AAF002	GUAGE
2	JAA00376AAK002	GASKET
3	JAA00209AAG001	BEARING, ROLLER
4	JAA00033AAE001	SEAL
5	JAA00209AAF001	BEARING, ROLLER
6	JAA00346AKH002	COVER
7	JAA00376AAK001	GASKET
8	JAA00335AAD001	BEARING, PLAIN
9	JAA00335AAD002	BEARING, PLAIN
10	JAA00261AAC001	SHEAVE, DRIVING ROUND SEAT 16 GROOVES ϕ 18 ROPE
	JAA00261AAC004	SHEAVE, DRIVING ROUND SEAT 18 GROOVES ϕ 16

		ROPE
--	--	------

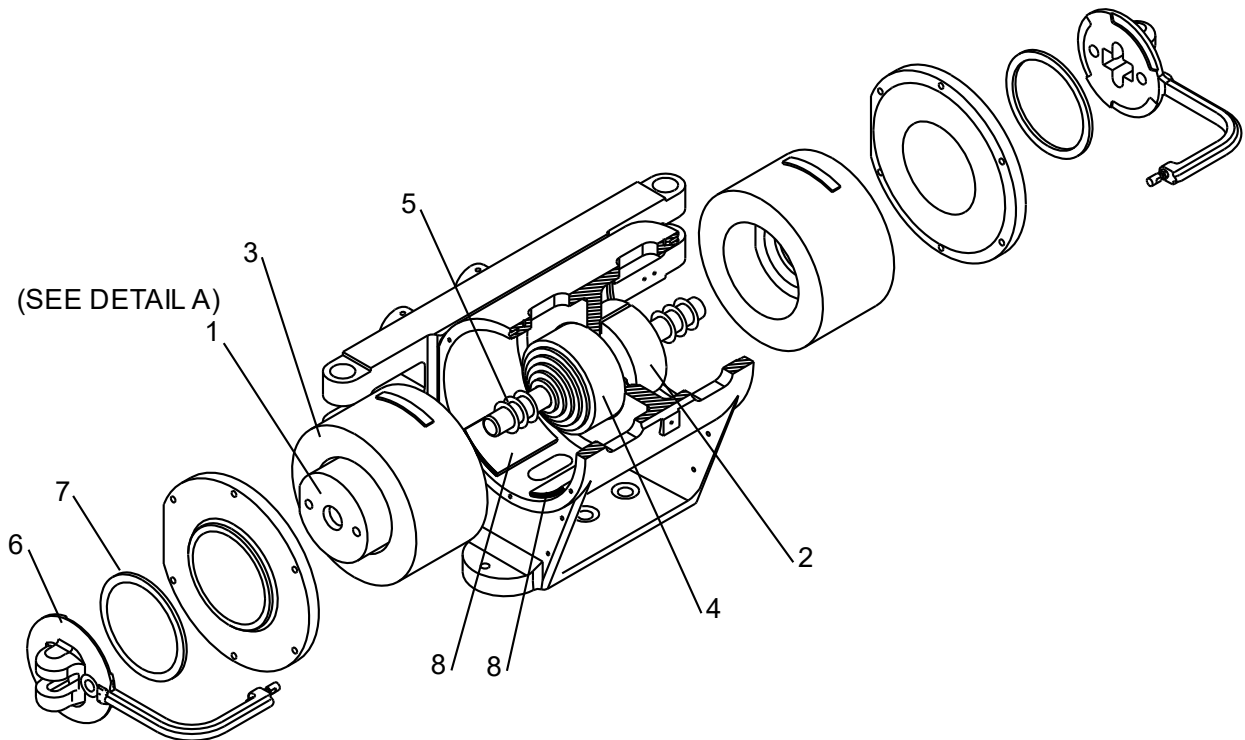
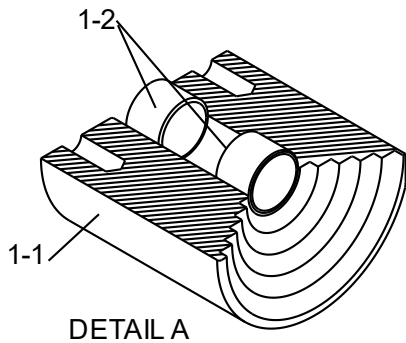


JCA20237AAD001
JBA20237AAD004

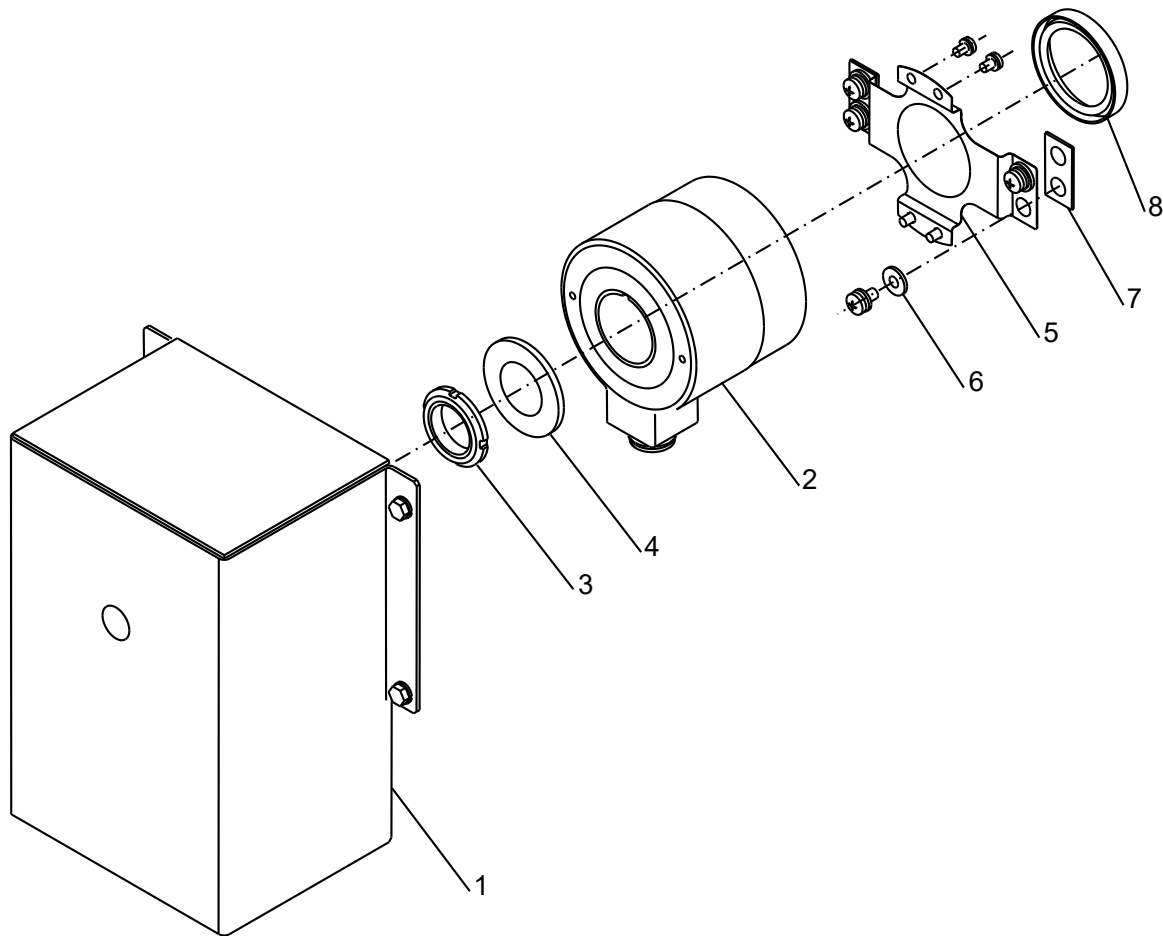
REF. NO.	PART or ML	DESCRIPTION
1	JAA00415AAA002	SHOE, BRAKE
2	Page 8	LEVER, BRAKE
3	Page 9	LINK
4	JBA26912AAA001	MECHANICAL SWITCH ASSEMBLY
5	Page 5	BRAKE COILS & CORES
6	JAA00316DCT001	BRACKET

Brake Coils & Cores

06-JAA20222AAB



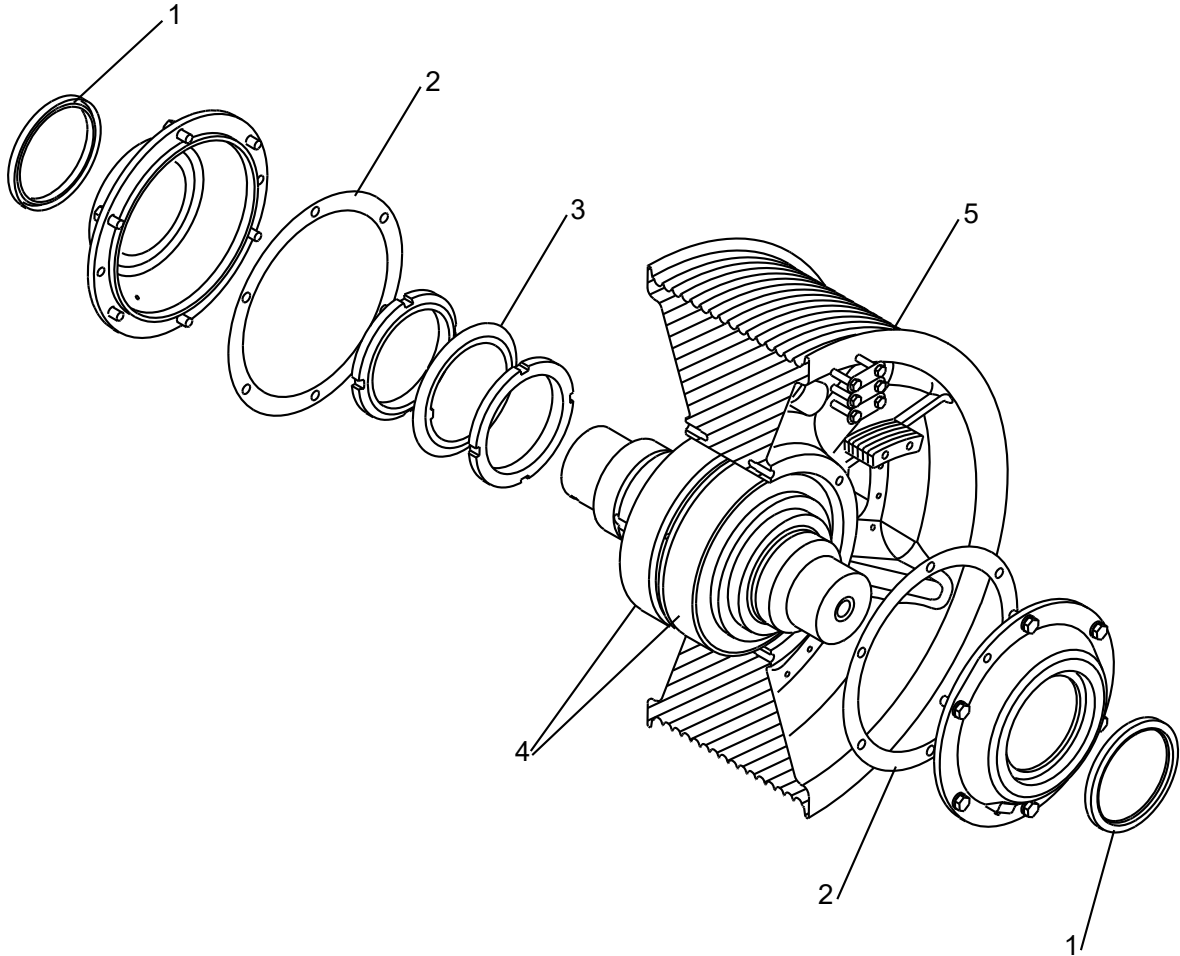
REF. NO.	PART or ML	DESCRIPTION
1	JAA00400AAH002	CORE
1-1	JAA00400AAH001	CORE
1-2	JX212T6	BEARING
2	JAA00400AAJ003	CORE
3	JAA00234ABG002	COIL
4	JAA00400AAJ004	CORE
5	JAA00131ACE001	WASHER t0.4
	JAA00131ACE002	WASHER t0.5
6	JAA00287AAF002	LEVER, SWITCH
7	JAA00376AAJ001	GASKET
8	JAA129ACT1	INSULATOR



JAA21410AAV001		
REF. NO.	PART or ML	DESCRIPTION
1	JAA285ANX1	COVER
2	JAA21410AAT001	SPEED ENCODER
3	JAA72ABP1	NUT
4	RWS30	M30 RD WASHER,(STEEL)
5	JAA00316DBF001	BRACKET
6	JAA129ABG1	INSULATOR
7	JAA129ABF1	INSULATOR
8	JAA00033AAF001	SEAL

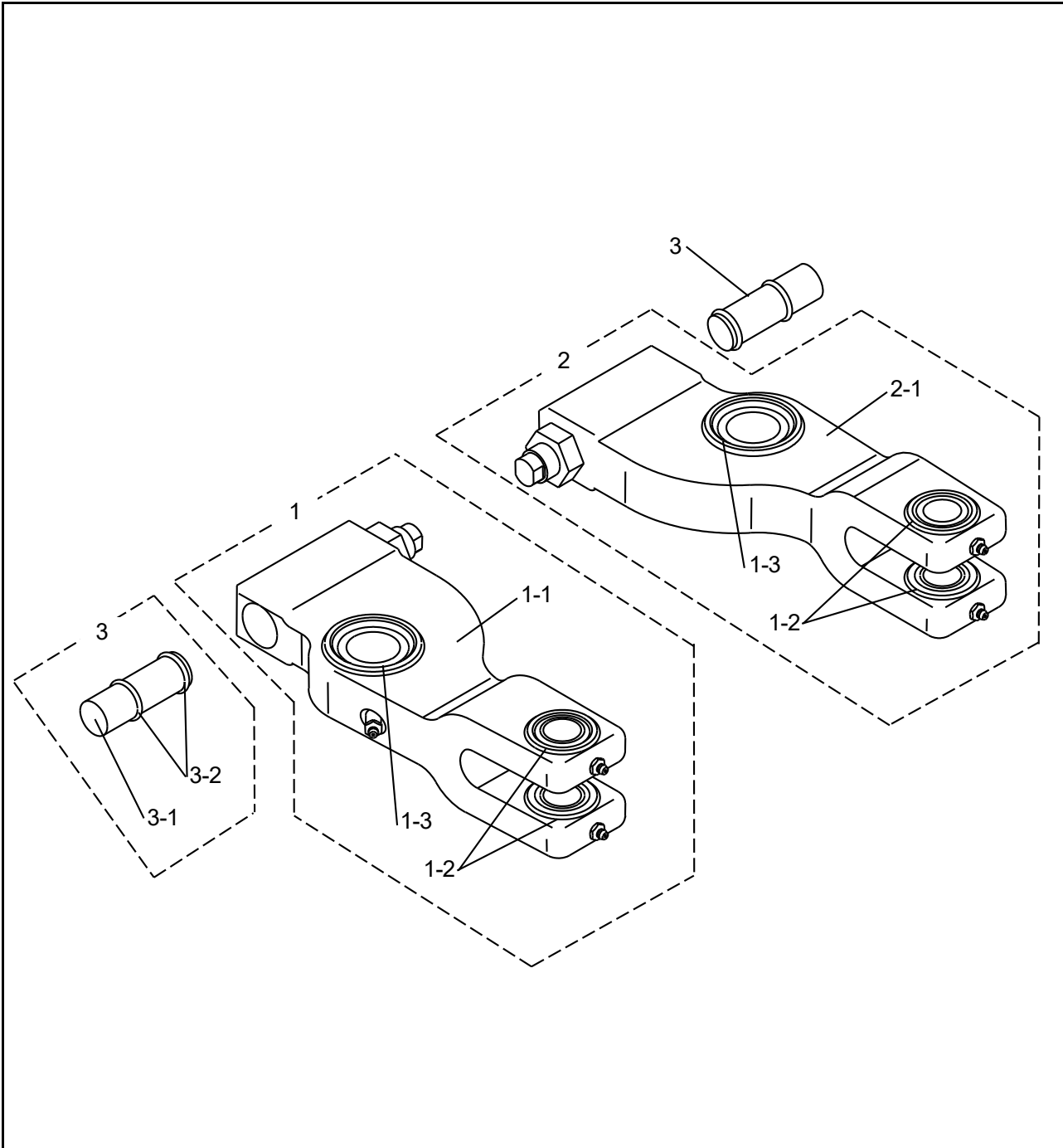
Secondary Sheave

06-JAA20222AAB



JBA20830AAA001,004
JAA20830AAA

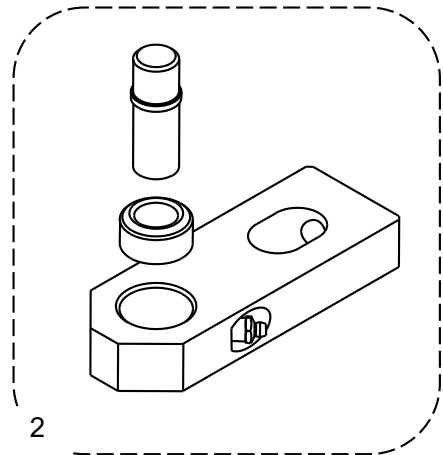
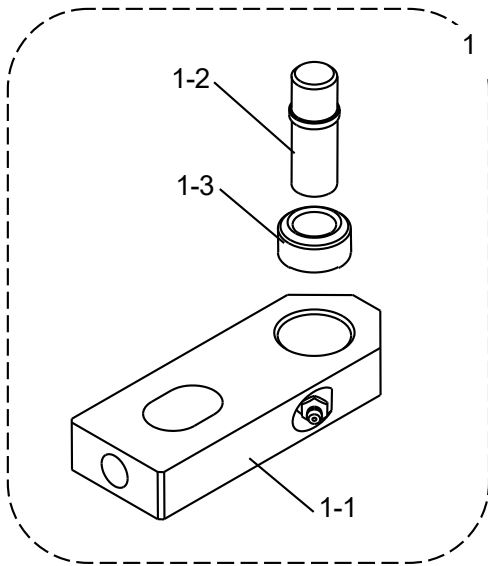
REF. NO.	PART or ML	DESCRIPTION
1	JAA00033AAH001	SEAL
2	JAA00376AAK003	GASKET
3	BWT180	BEARING WASHER, M180
4	JAA00209AAS001	BEARING,ROLLER
5	JAA00265ABD001	SHEAVE,SECONDARY ROUND SEAT 16 GROOVES ϕ 18 ROPE
	JAA00265ABD004	SHEAVE,SECONDARY ROUND SEAT 18 GROOVES ϕ 16 ROPE



REF. NO.	PART or ML	DESCRIPTION
1	JAA00286AAH002	LEVER, BRAKE
1-1	JAA00286AAH001	LEVER, BRAKE
1-2	JAA00209AAD001	BEARING, ROLLER
1-3	JAA00209AAE001	BEARING, ROLLER
2	JAA00286AAH004	LEVER, BRAKE
2-1	JAA00286AAH003	LEVER, BRAKE
3	JAA00081AHH002	PIN
3-1	JAA00081AHH001	PIN
3-2	172JK1	O-RING

Link

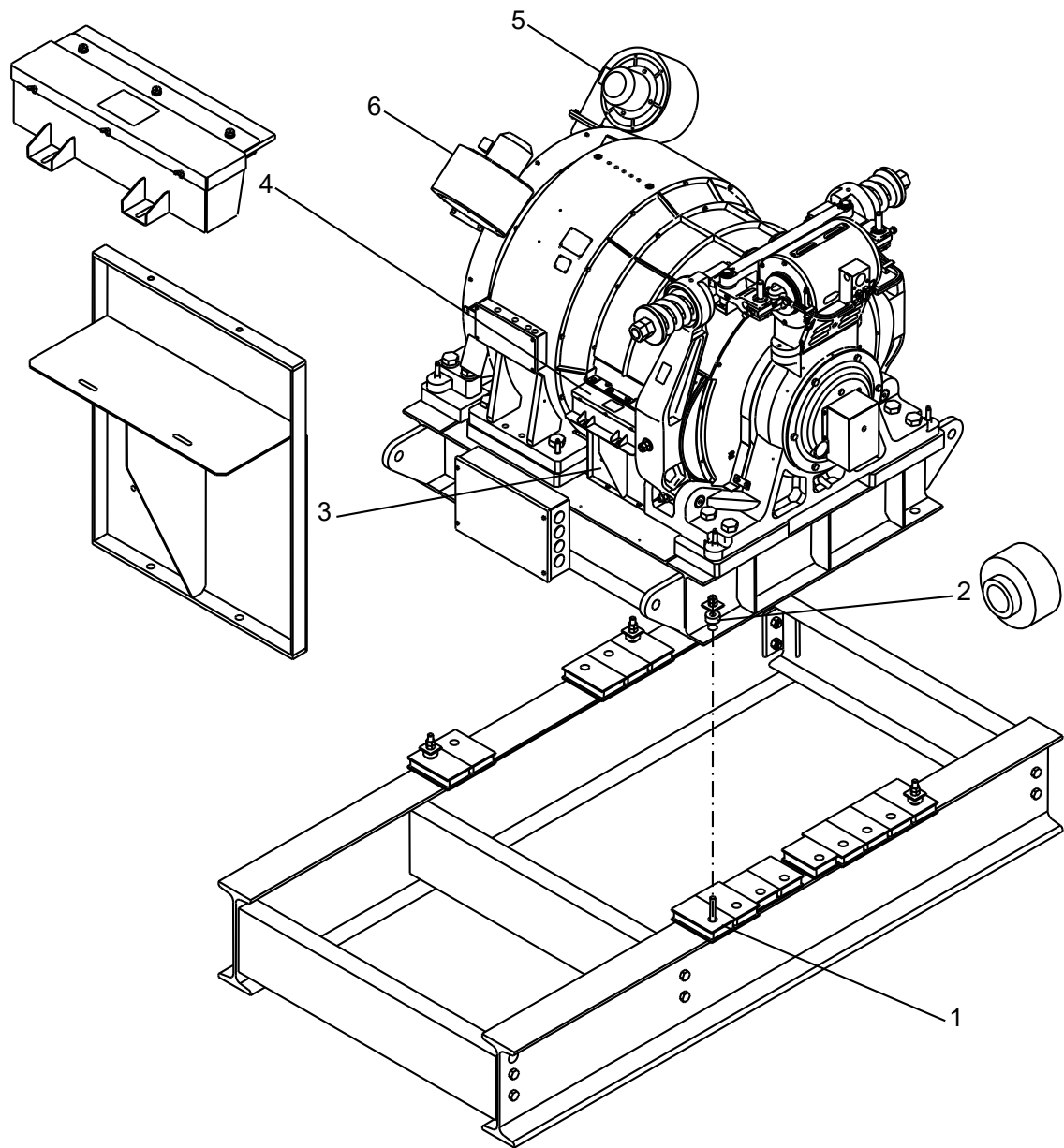
06-JAA20222AAB



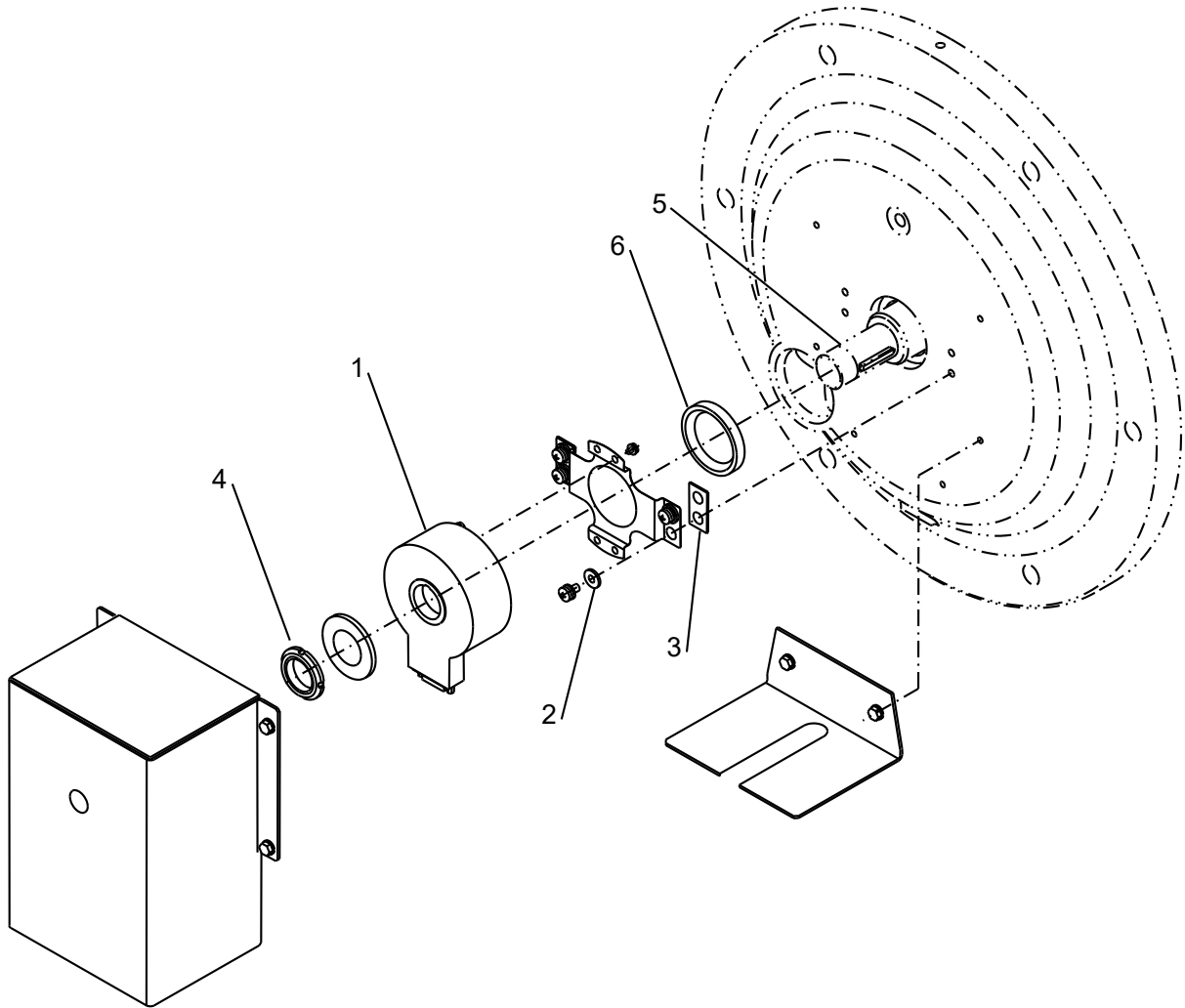
REF. NO.	PART or ML	DESCRIPTION
1	JAA430ABS2 JAA00430AAH002	LINK
1-1	JAA430ABS1 JAA00430AAH001	LINK
1-2	JAA00081AHK001	PIN
1-3	JX212W3	BEARING
2	JAA430ABS3 JAA00430AAH002	LINK

06-JAA20222AAB

Isolation & Rope Lubricator



REF. NO.	PART or ML	DESCRIPTION
1	JAA310BDM_ JAA310ASE_	BLOCK(AS PER DWG.JDA20855AAB OR JCA20855 AAE) BLOCK(AS PER DWG.JBA20855AAB OR AAE)
2	JAA321AET1	BUSHING
3	JAA384APY_	GUARD(AS PER DWG.JAA20141AAL)
4	JAA508AAP5	RESERVOIR
5	JAA24721AAN102	SIROCCO FAN 50/60Hz 380V
	JAA24721AAN104	SIROCCO FAN 50/60Hz 400 - 480V
6	JAA24721AAN101	SIROCCO FAN 50/60Hz 380V
	JAA24721AAN103	SIROCCO FAN 50/60Hz 400 - 480V



**JAA21410ABL3
JAA21410ABL1**

REF. NO.	PART or ML	DESCRIPTION
1	AAA633W1	ENCODER
	JAB633ACD1	ENCODER
2	JAA129ABG1	INSULATOR
3	JAA129ABF1	INSULATOR
4	JAA72ABP1	NUT
5	JAA494AEW1	SHAFT
6	JAA00033AAF001	SEAL

