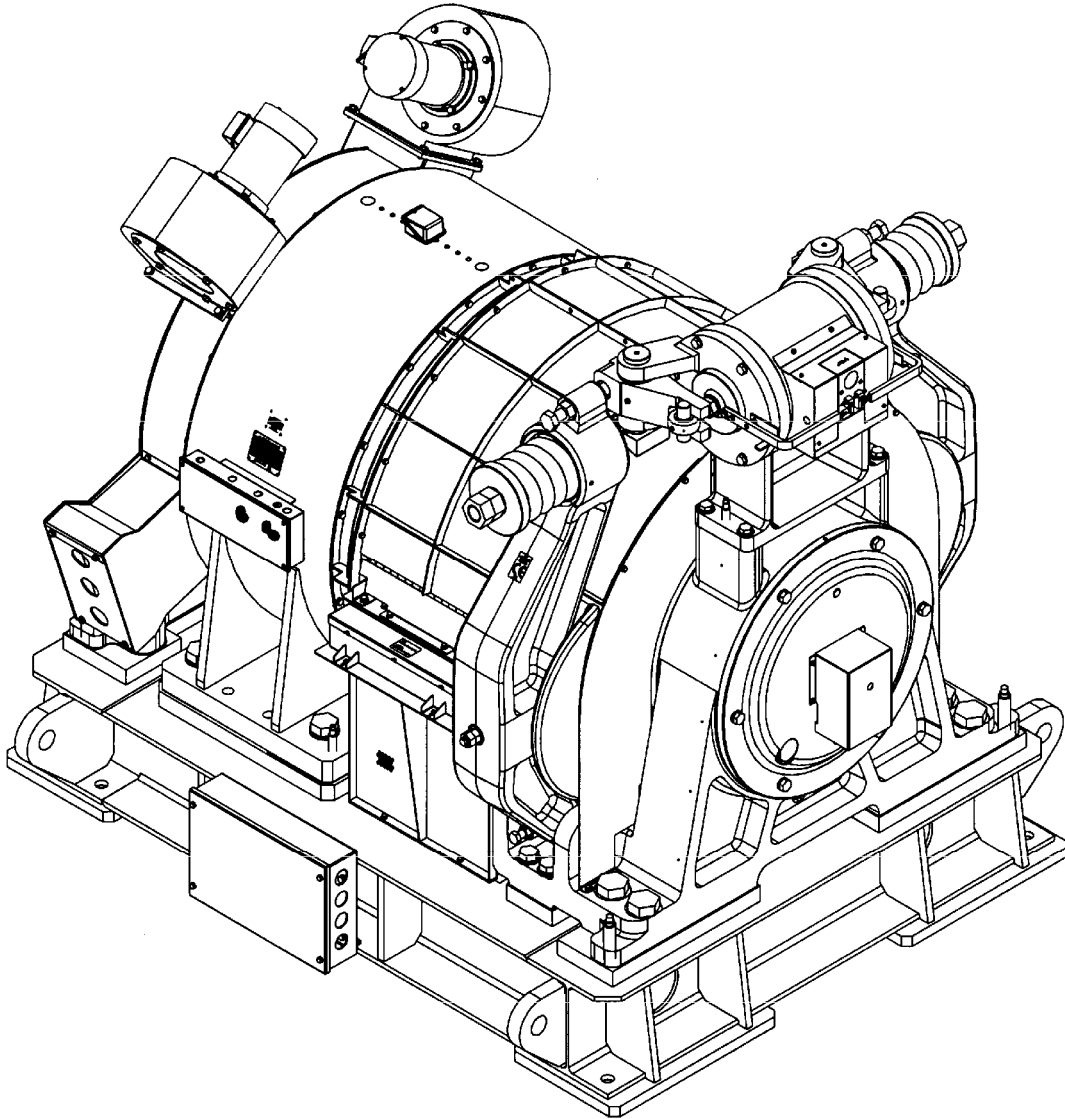


**70T Machine  
High Voltage Type**

**Spare Parts Leaflet**  
**06-JAA20223AAK**  
July 1, 2020 / Page 1 of 29



**OTIS**

This document does not contain any  
technical data subject to EAR or ITAR

**SERVICE ENGINEERING**  
**Otis Elevator Company**  
**Bloomfield, Connecticut USA**

Unpublished Work—© Otis Elevator Co.; 2020

**Leaflet Description**

This leaflet provides spare parts information for 70T machine (machine, parts, rope lubricator, junction box, PVT, brake, secondary sheave, sound isolation, carpet wiper).

**Leaflet Revisions**

<b>Date Revised</b>	<b>Subject Matter Expert</b>	<b>Reason for Revision</b>
Nov 17, 2008	Yamaoka, Takayuki	New SPL
Nov 1, 2010	Yamaoka, Takayuki	Added new p/n on pp. 16–17 Sirocco Fan (p/n JAA24721AAX)
August 20, 2014	Yamaoka, Takayuki	Updated information on p. 8
July 1, 2020	Gary Mendrala	Corrected p/n JAA00209AAL001 on p. 20

**Related Drawings**

JFA20223AAK	JAA20141AAJ	JCA21310AAR	JCA21310AAS	JAA21310ABD
JBA309ADV	JAA21410ABL	JDA20237AAF	JCA20830AAE	JCA20855AAA
JAA20141ABT				

**Related Documents**

<b>Document ID</b>	<b>Title</b>

**Subject Matter Expert**

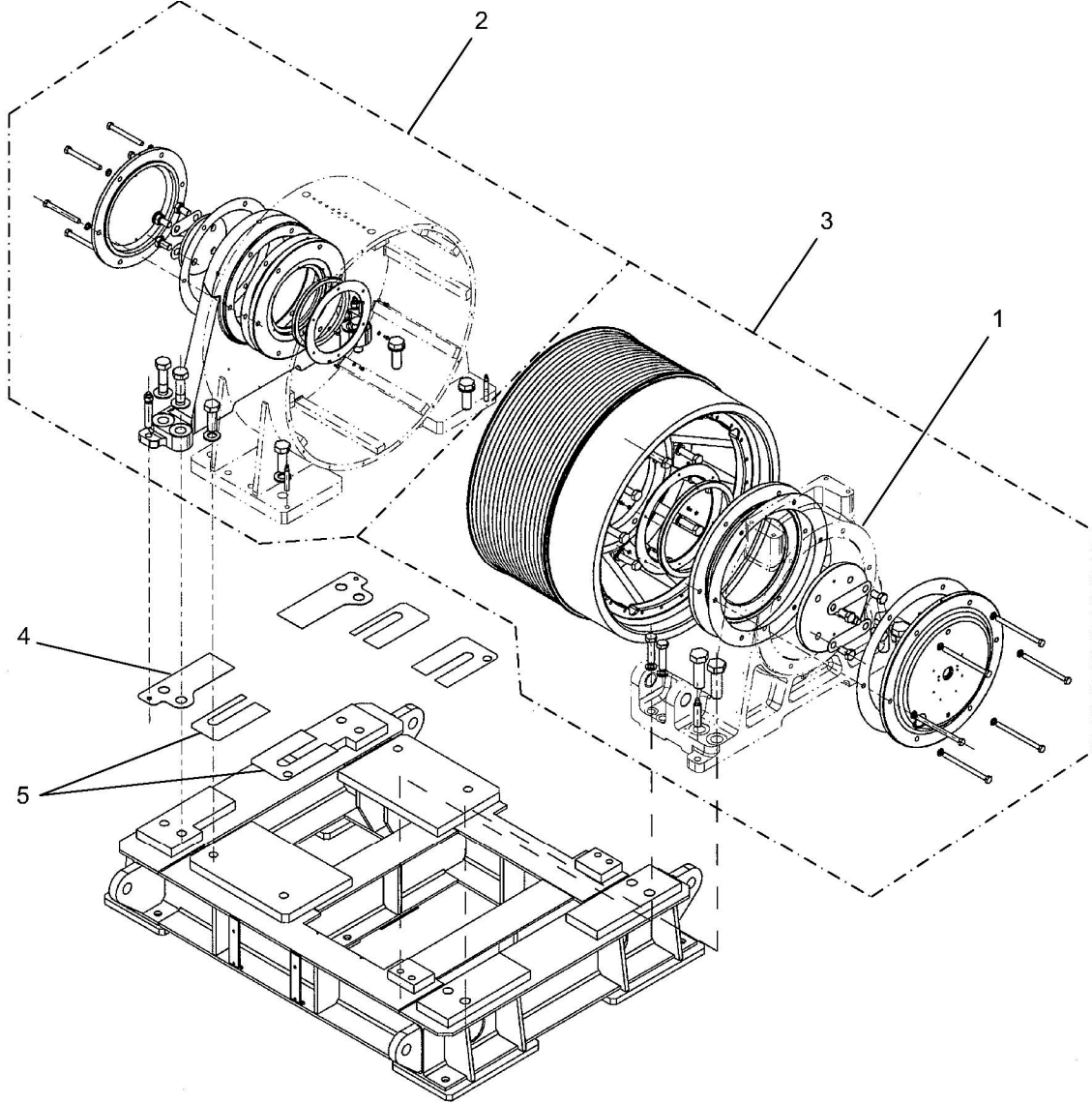
<b>Name</b>	<b>Department</b>
Gary Mendrala	OSC Service Engineering

**About Spare Parts Leaflets...**




This document lists the lowest replaceable units (LRUs) for the standard version of the product. The LRUs are chosen by a team of Otis associates representing engineering and manufacturing.

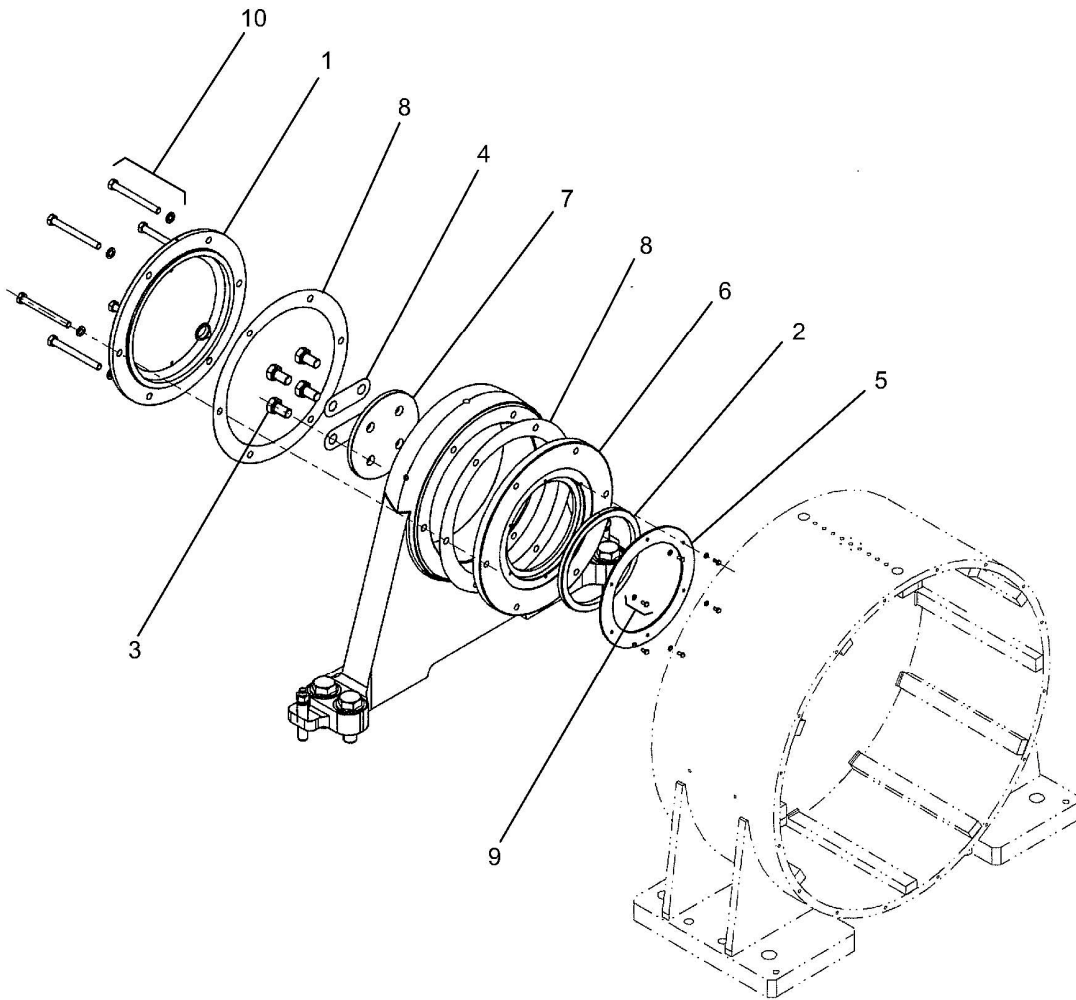
While goal of this document is to make parts identification as easy as possible, the document cannot be all-inclusive. Elevator and escalator contracts classified as “special” or “custom” are not addressed here. For such contracts, please refer to specified information, the contract folder, TIPs, Field Education Articles, Construction Letters, etc. for further information.

If you have any suggestions about this document, please contact the subject matter expert listed on this page.




**JAA ~ JFA20223AAK**

REF. No.	PART No.	DESCRIPTION
1	---	Brake Assembly  Detail, Page 19–24
2	---	Add Part Description  Detail, Page 4
3	---	Add Part Description  Detail, Page 6
4	JAA129ABE1	Insulator
5	JAA255AGG1–6	Shim

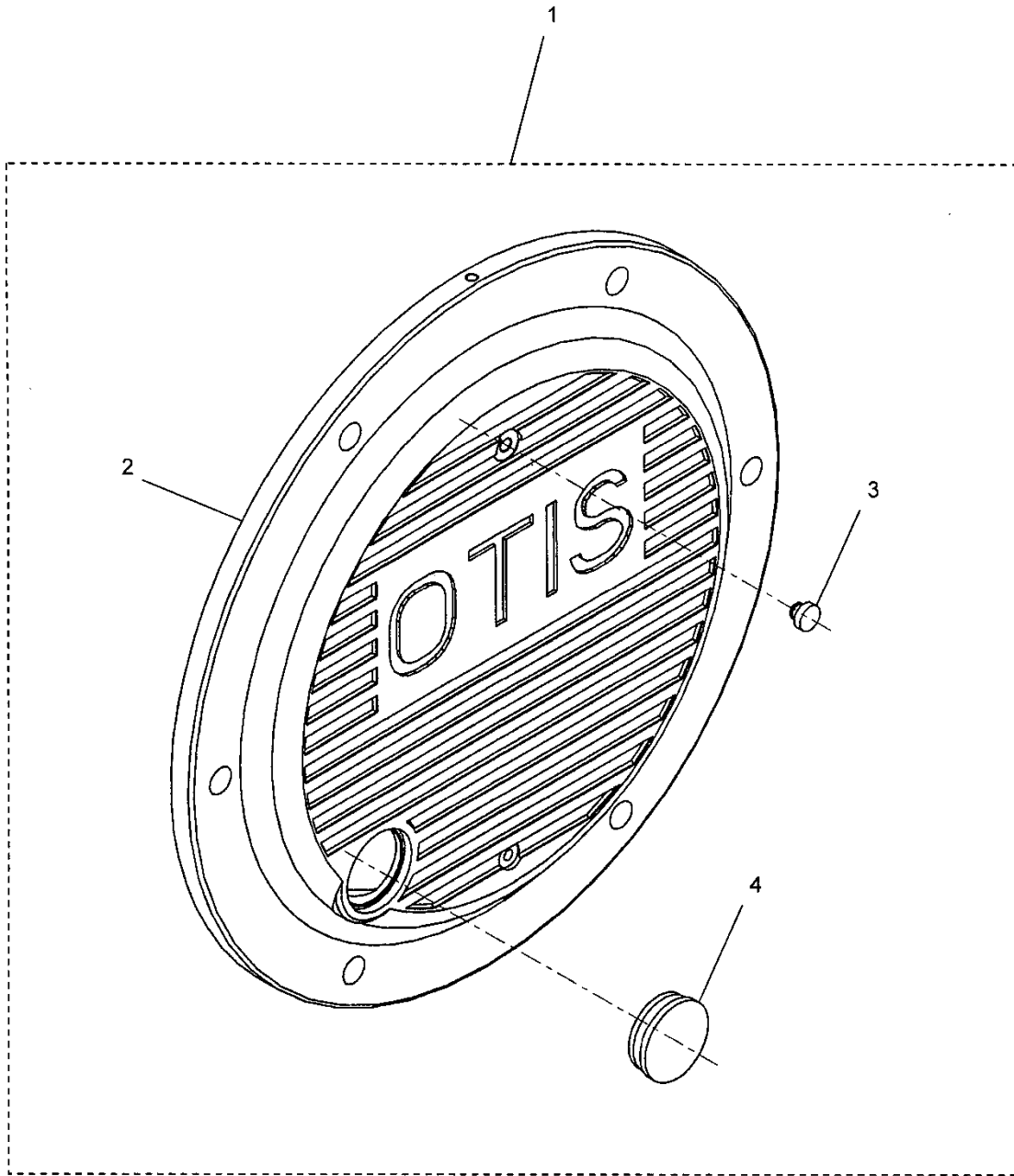


**JAA ~ JFA20223AAK**

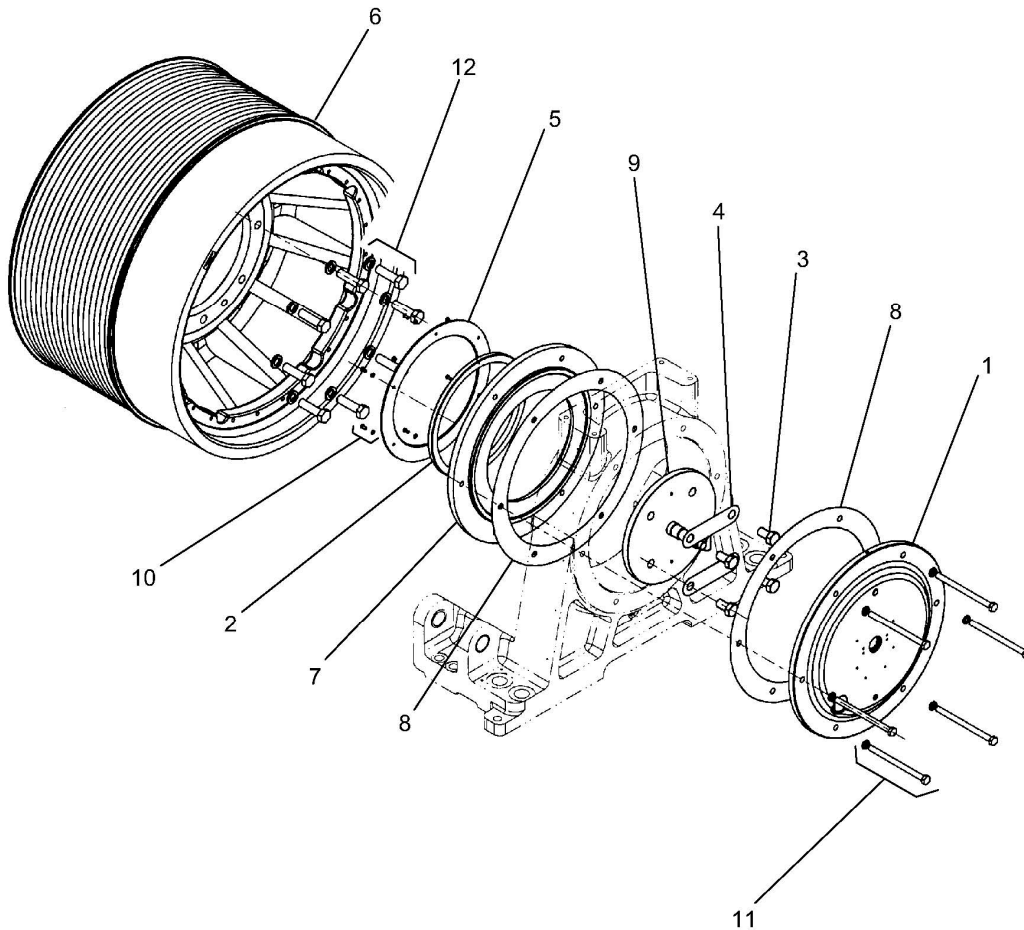
REF. NO.	PART or ML	DESCRIPTION
1	---	Cover  Detail, Page 5
2	JAA00033AAE002	Seal
3	JAA00065ADF002	Bolt
4	JAA00130AAG003	Washer, Lock
5	JAA00172AAL002	Ring
6	JAA00346AMD001	Cover
7	JAA00353AAG001	Disk
8	JAA00376AAK004	Gasket
9	BFM08X016-LW	M8x16 Hex Hd Fin Bolt W/ SLW
10	BFM20X200-C & LWS20-C	M20x200 Hex Hd Fin Bolt & M20 SLW

# Bearing Cover

**06-JAA20223AAK**



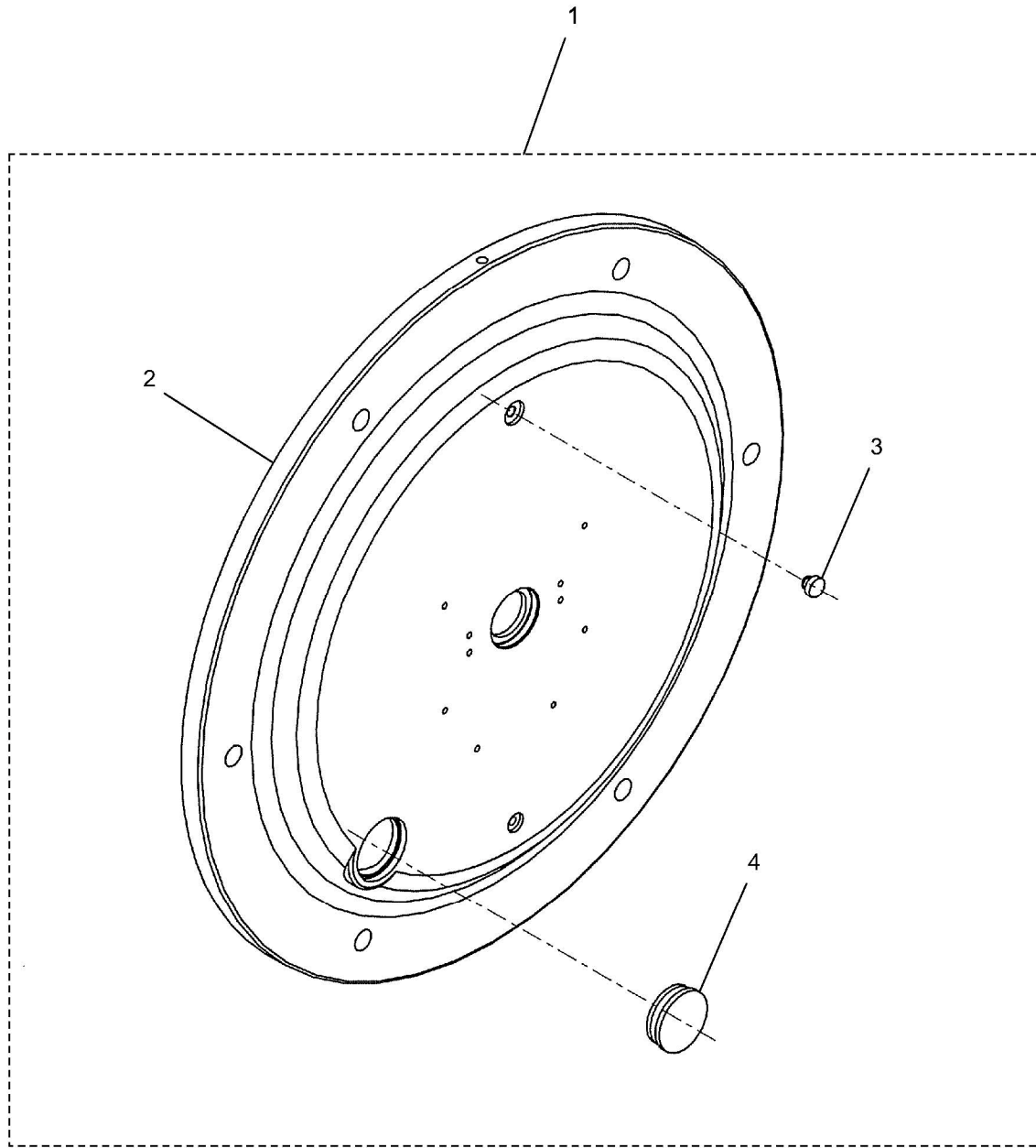
JAA ~ JFA20223AAK		
REF. No.	PART No.	DESCRIPTION
1	JAA00346ALN002	Bearing Cover Assembly
2	JAA00346ALN001	Cover
3	JAA346ASV1	Cover
4	JAA00719AAF002	Cover



<b>JAA ~ JFA20223AAK</b>		
<b>REF. NO.</b>	<b>PART or ML</b>	<b>DESCRIPTION</b>
1	---	Cover  Detail, Page 7
2	JAA00033AAE003	Seal
3	JAA00065ADF002	Bolt
4	JAA00130AAG004	Washer, Lock
5	JAA00172AAL003	Ring
6	---	Driving Sheave  Detail, Page 8
7	JAA00346AME001	Cover
8	JAA00376AAK005	Gasket
9	JAA00494ABF001	Shaft, PVT
10	BFM08X016-LW	M8x16 Hex HD Fin Bolt W/ SLW
11	BFM20X280-C & LWS20-C	M20x280 Hex HD Fin Bolt & M20 SLW
12	BFM30X110-C & LWS30-C	M30x110 Hex HD FIN Bolt & M30 SLW

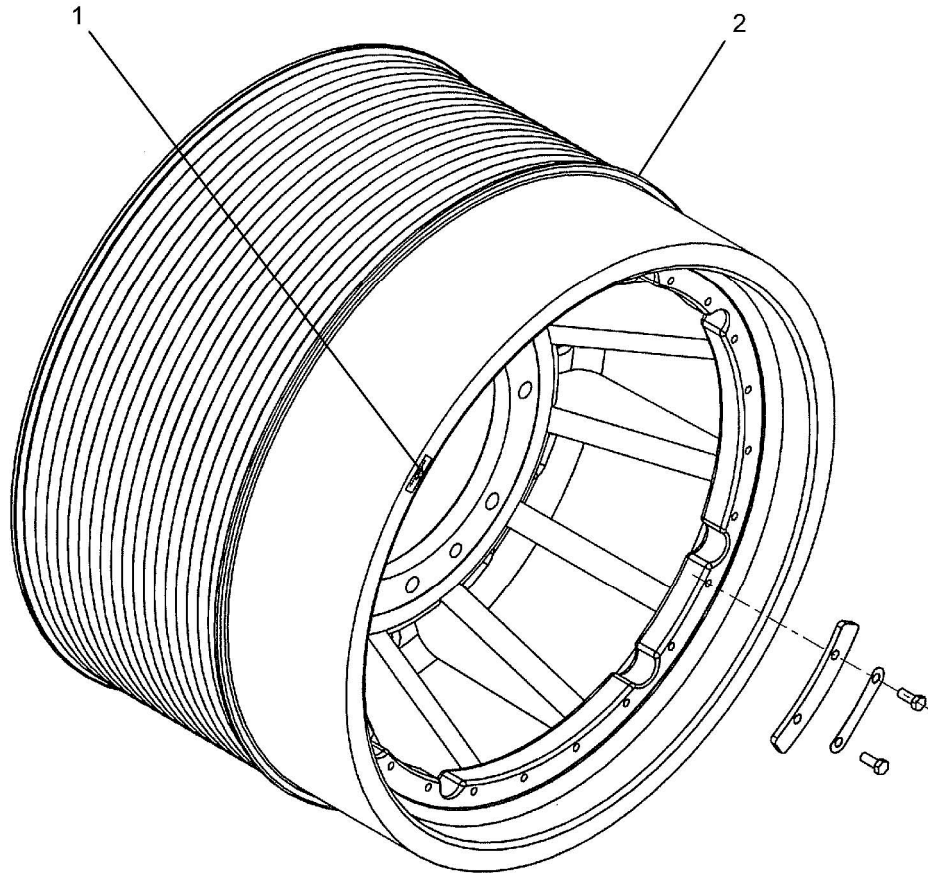
# Bearing Cover

06-JAA20223AAK



JAA~JFA20223AAK		
REF. No.	PART No.	DESCRIPTION
1	JAA00346ALP002	Bearing Cover Assembly
2	JAA00346ALP001	Cover
3	JAA346ASV1	Cover
4	JAA00719AAF002	Gauge

**Driving Sheave**

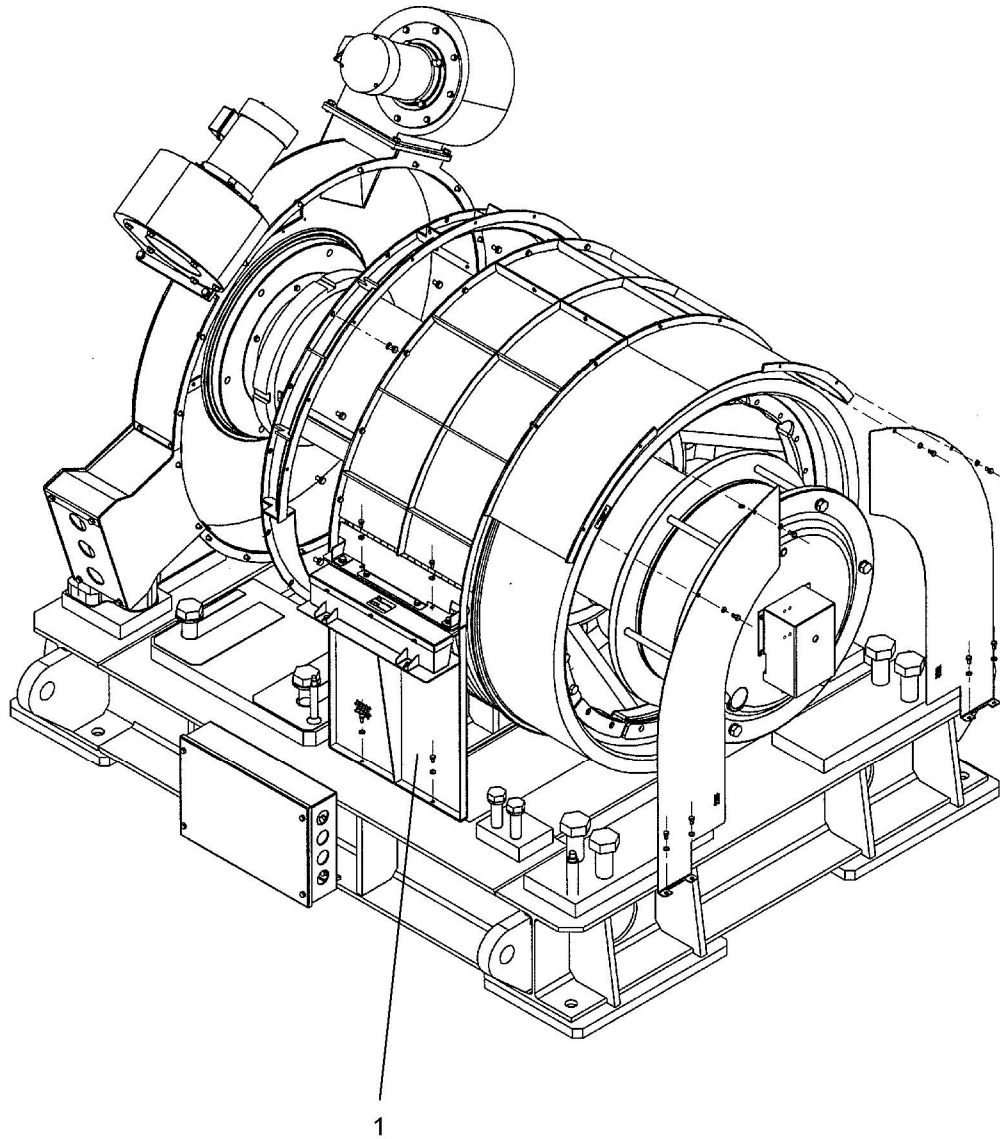


**JAA~JFA20223AAK**


REF. No.	PART or ML	DESCRIPTION	NO. OF GROOVES	ROPE SIZE (mm)	REMARKS
1	JAA102BFJ4	Plate, Data	---	---	---
2	JAA00261AAD001	Sheave	18 (  NOTE)	22.4 (  NOTE)	Round Seat
	JAA00261AAD002				45° U/C

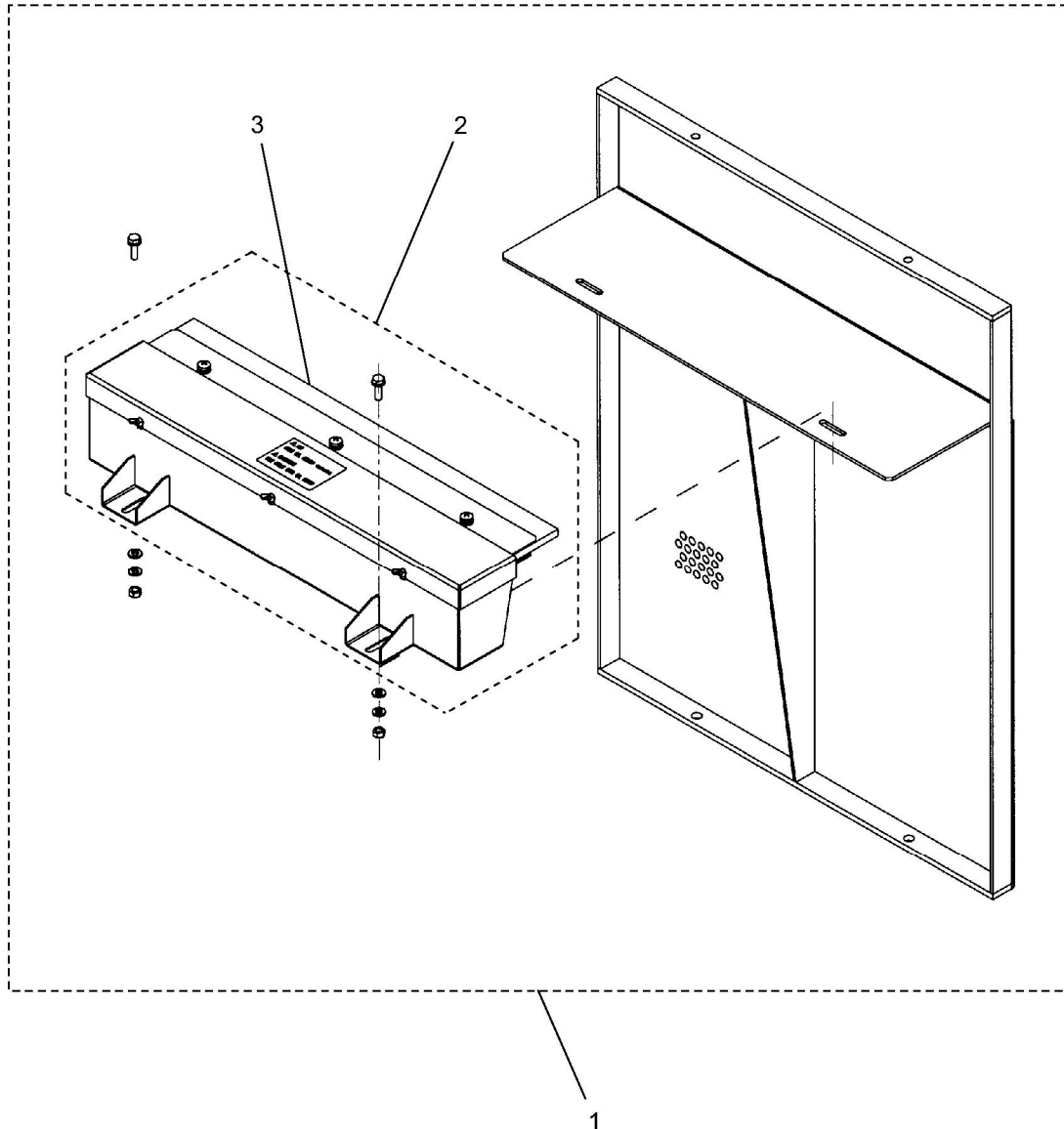
**NOTE:** Check rope size and number of grooves before ordering. If your sheave is not standard, contact the Service Center.





**JAA~JFA20223AAK**

REF. No.	PART No.	DESCRIPTION
1	---	Rope Lubricator Detail,  Page 10

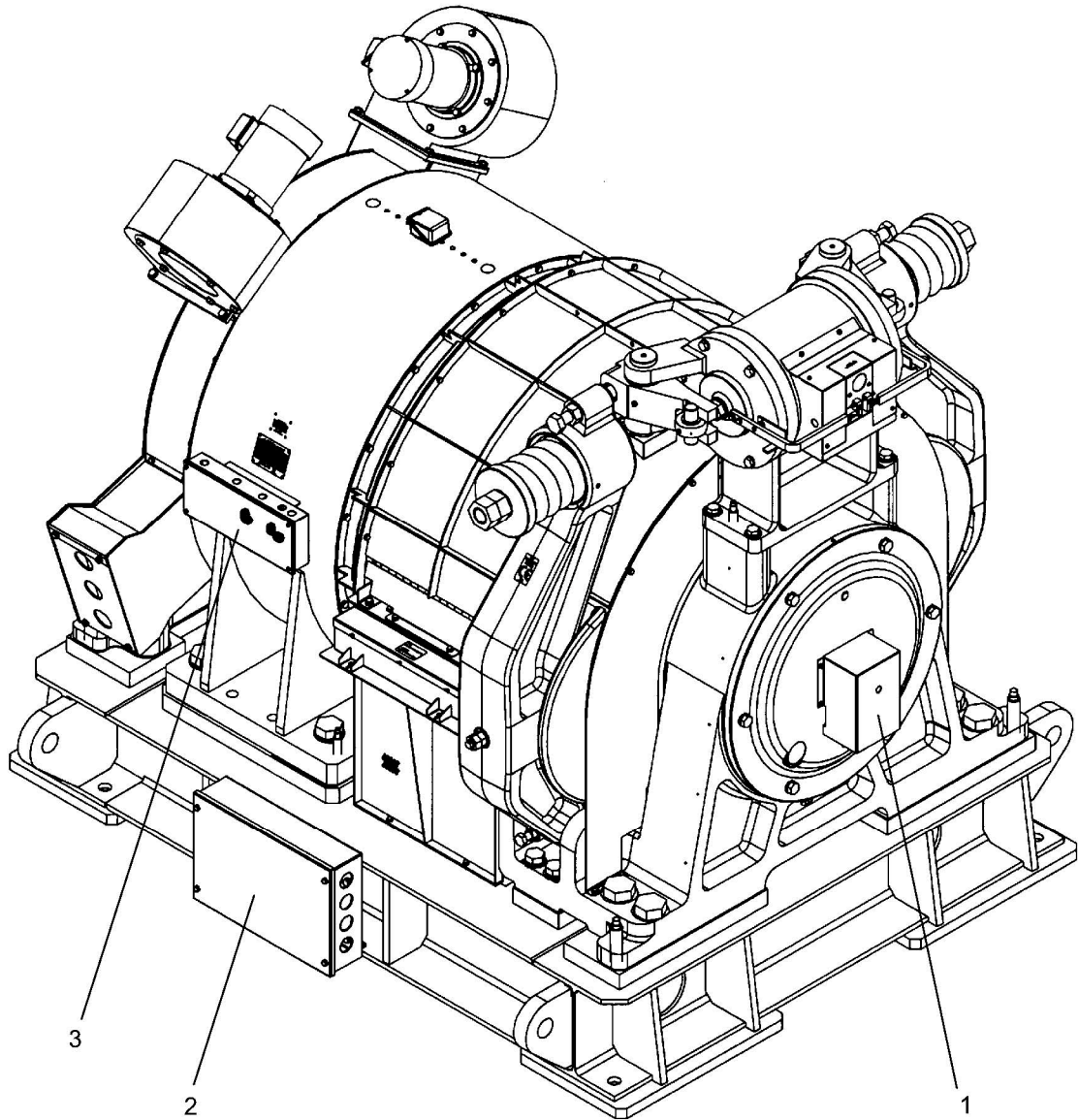





**NOTE:** If need a new, request p/n JAA20141AAJ1.

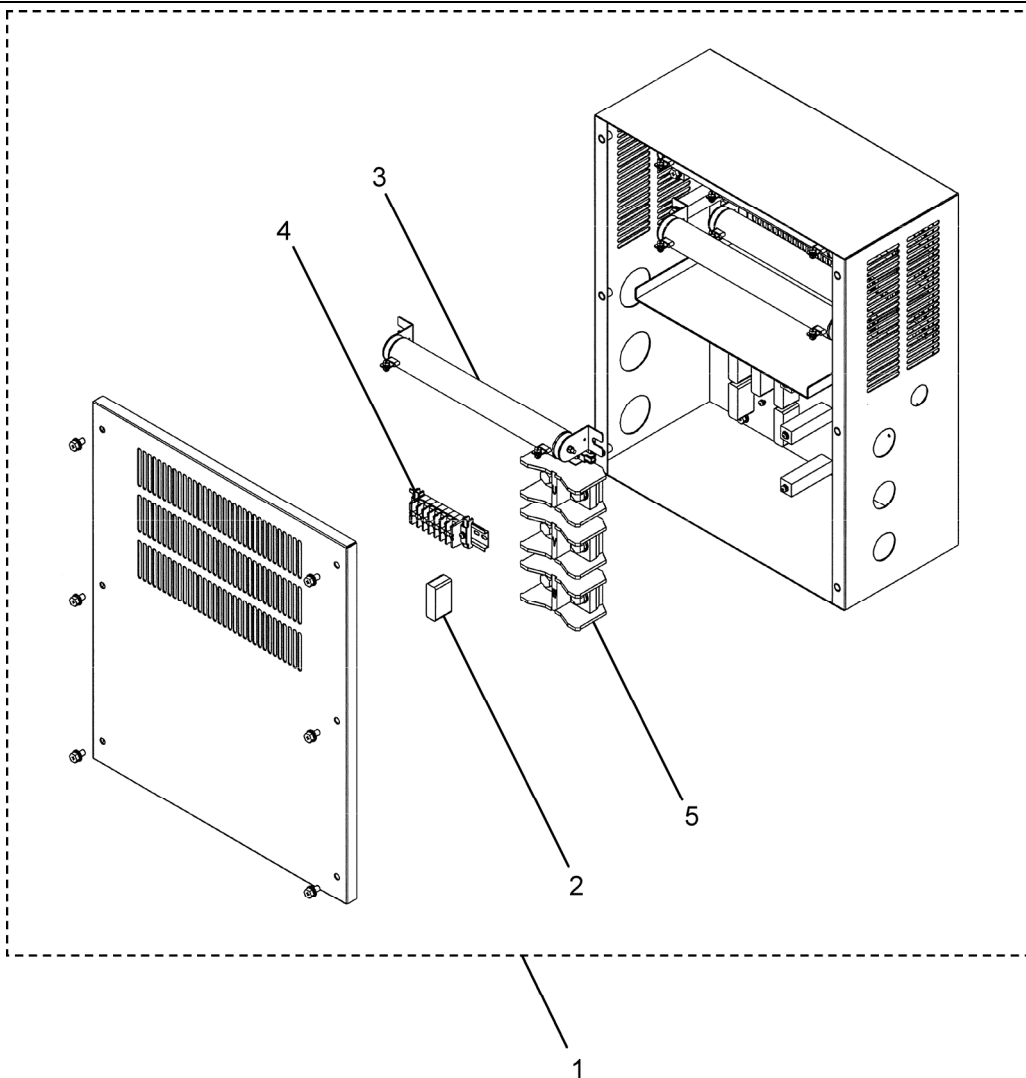
<b>JAA~JFA20223AAK</b>		
<b>REF. No.</b>	<b>PART No.</b>	<b>DESCRIPTION</b>
1	JAA20141AAJ1	Rope Lubricator Assembly
2	JAA508AAP6	Reservoir
3	JAA488AAD6	Wick

# Junction Box

**06-JAA20223AAK**



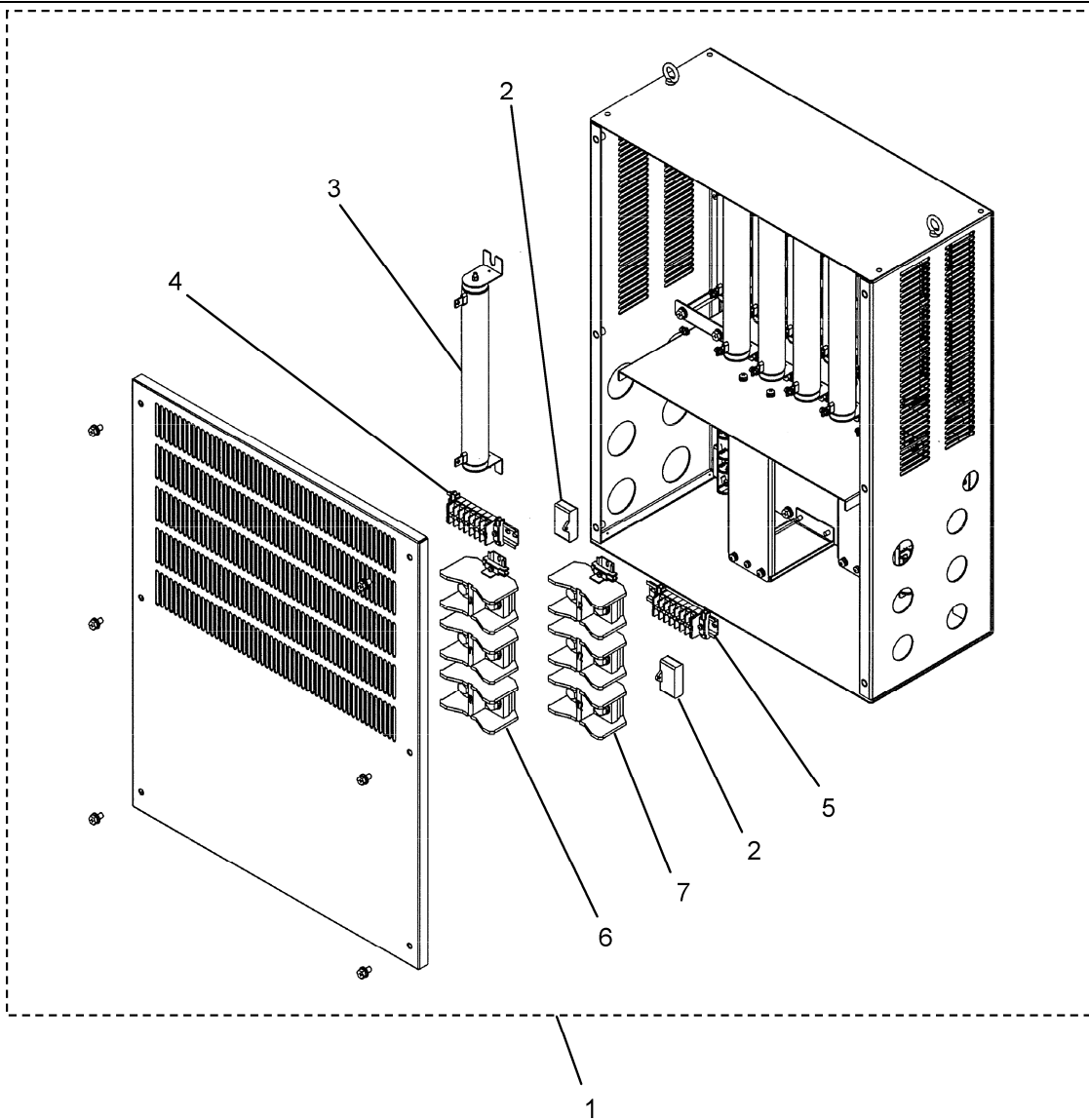
<b>JAA~JFA20223AAK</b>		
<b>REF. No.</b>	<b>PART No.</b>	<b>DESCRIPTION</b>
1	---	PVT Ass'y  Detail, Page 18
2	---	Box, Junction  Detail, Page 12–13
3	---	Box, Junction Detail,  Page 14



<b>JAA~JFA20223_ _ _ _</b>			
	<b>AAK1</b>	<b>AAK2</b>	
<b>REF. No.</b>	<b>PART No.</b>		<b>DESCRIPTION</b>
1	JCA21310AAR1 JBA21310AAR1 JAA21310AAR1	---	Motor Filter Box
	---	JCA21310AAS1 JBA21310AAS1 JAA21310AAS1	
2	JAA226AKX1		Capacitor, Fixed
3	JAA232AGV1		Resistor Assembly
4	JAA303AGB1		Terminal Block
5	JAA303AGD1		Terminal Block

# Motor Filter Box for Motor Lead

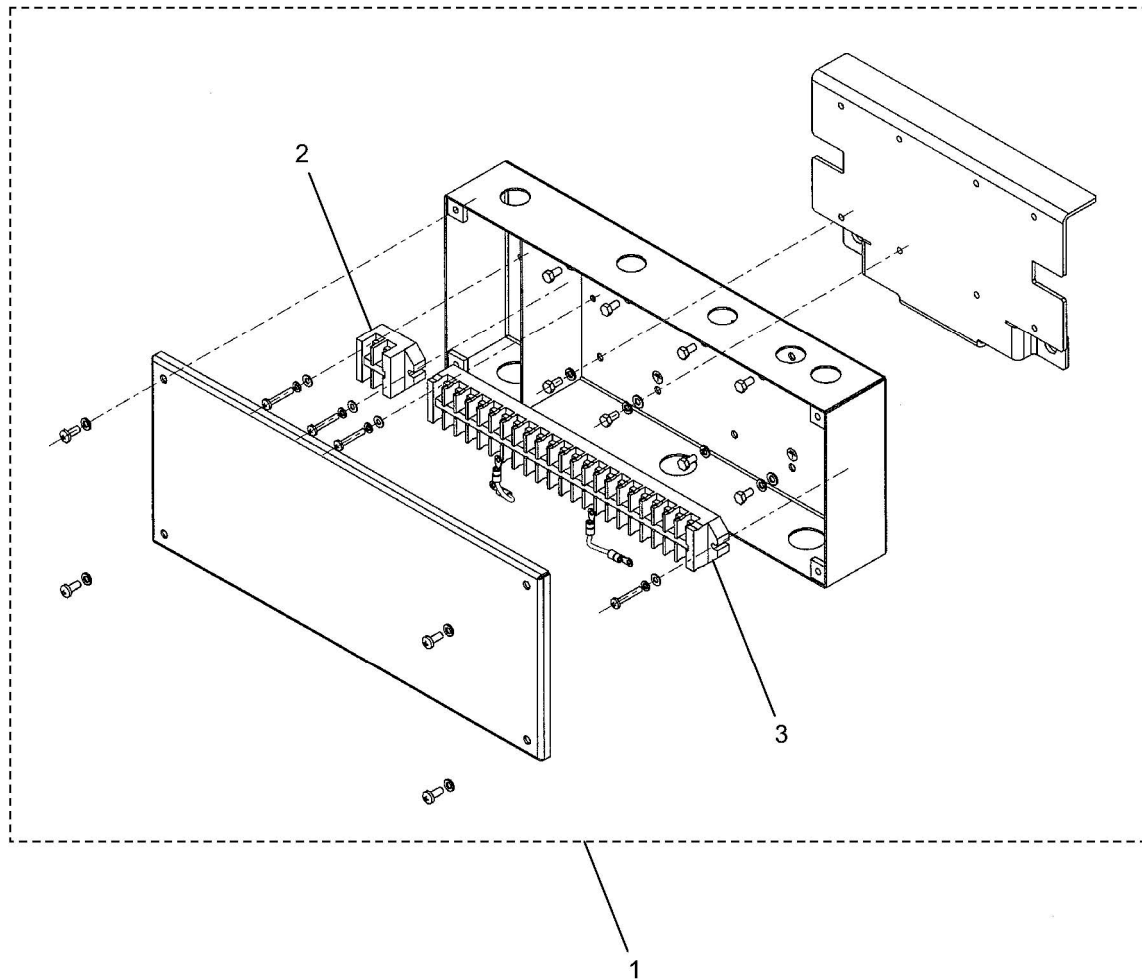
**06-JAA20223AAK**



JAA~JFA20223			
	AAK3	AAK4	
REF. No.	PART No.		DESCRIPTION
1	JAA21310ABD1	---	Motor Filter Box
	---	JAA21310ABD4	
2	JAA226AKX2		Capacitor, Fixed
3	JAA232AGV1		Resistor Assembly
4	JAA303AGB1	JAA303AGB2	Terminal Block
5	JAA303AGB2	JAA303AGB1	Terminal Block
6	JAA303AGD2	JAA303AGD3	Terminal Block
7	JAA303AGD3	JAA303AGD2	Terminal Block

**06-JAA20223AAK**

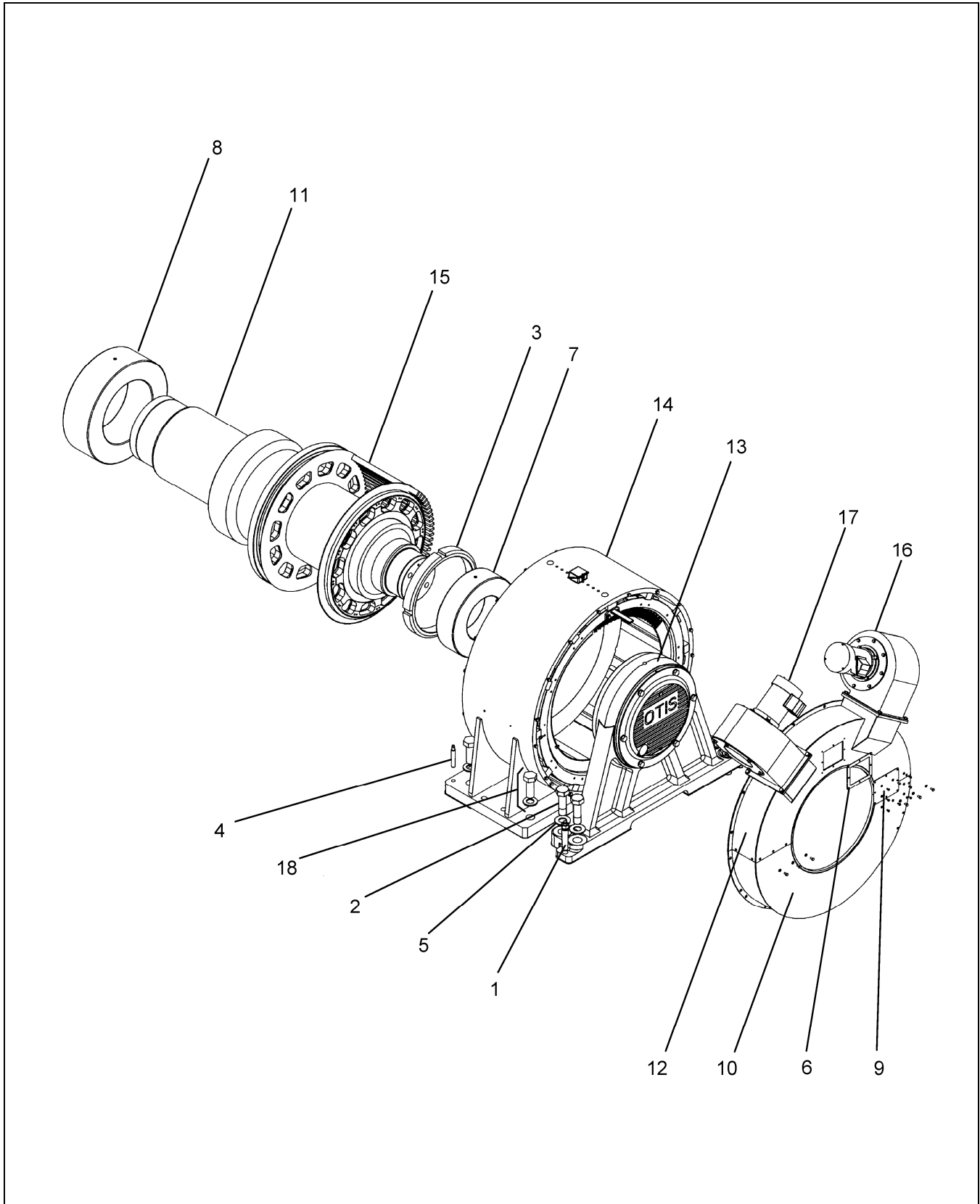
# Junction Box for Brake, Blower, and Thermo Guard



REF. No.	PART No.		DESCRIPTION
1	JBA309ADV1 JAA309ADV1	---	Junction Box
	---	JBA309ADV2	
2	JAA00303ADS001	---	Terminal Block
	---	JAA00303ADS004	
3	JAA00303ADS003	---	Terminal Block
	---	JAA00303ADS006	

# Motor, Shaft, and Bearing

06-JAA20223AAK





<b>JAA ~ JFA20223AAK</b>					
		<b>AAK1</b>	<b>AAK2</b>	<b>AAK3</b>	<b>AAK4</b>
<b>REF. NO.</b>	<b>PART or ML</b>				<b>DESCRIPTION</b>
1	JAA65AGL1				Bolt
2	JAA65AGM2				Bolt
3	JAA00072AAS001				Nut
4	JAA00080AAA004				Pin, Taper
5	JAA131ADF2				Washer
6	JAA182AAF1				Packing
7	JAA00209AAH001				Bearing, Roller
8	JAA00209AAJ001				Bearing, Roller
9	JAA285ALK1				Cover, Formed
10	JAA374BCC2	JAA374BCC2	---	---	Frame
	---	---	JAA374BCC1	JAA347BCC1	
11	JAA461AAC1				Shaft, Rotor
12	JAA471AGA2	JAA471AGA2	---	---	Stand
	---	---	JAA471AGA1	JAA471AGA1	
13	JAA00472AAE003				Stand, Bearing
14	JAA20223AAF1				Stator Assembly
15	JAA20223AAG1				Rotor Assembly
16	JAA24721AAX001  p. 17				SIRICON Fan W/ 480v, 60Hz Motor
17	JAA24721AAX002  p. 17				SIRICON Fan W/ 480v, 60Hz Motor
18	BFM42X120-C & RWS42-C				M42x120 Hex Hd. Fin Bolt & M42 Rd. Washer

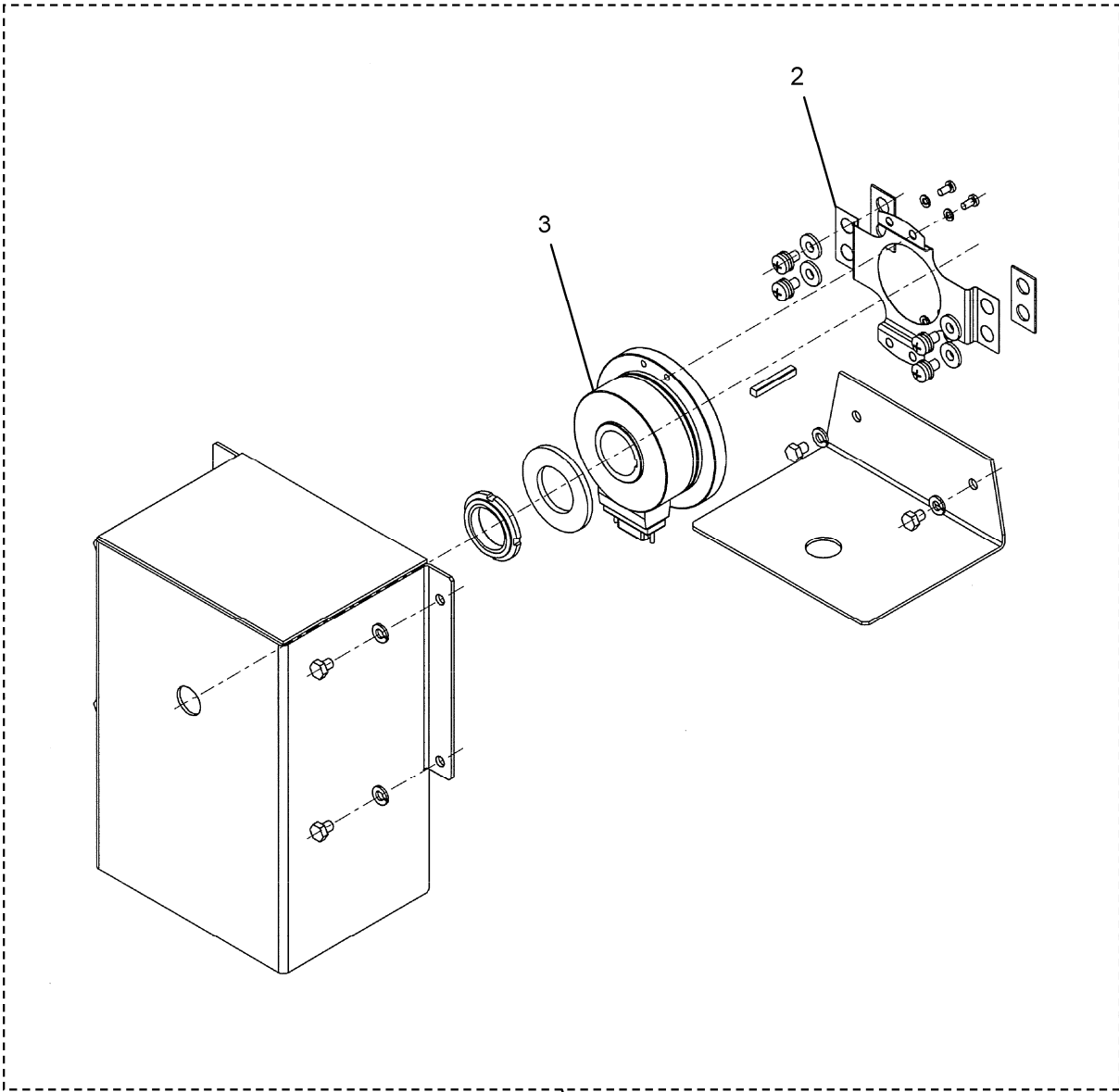


# Motor, Shaft & Bearing

**06-JAA20223AAK**

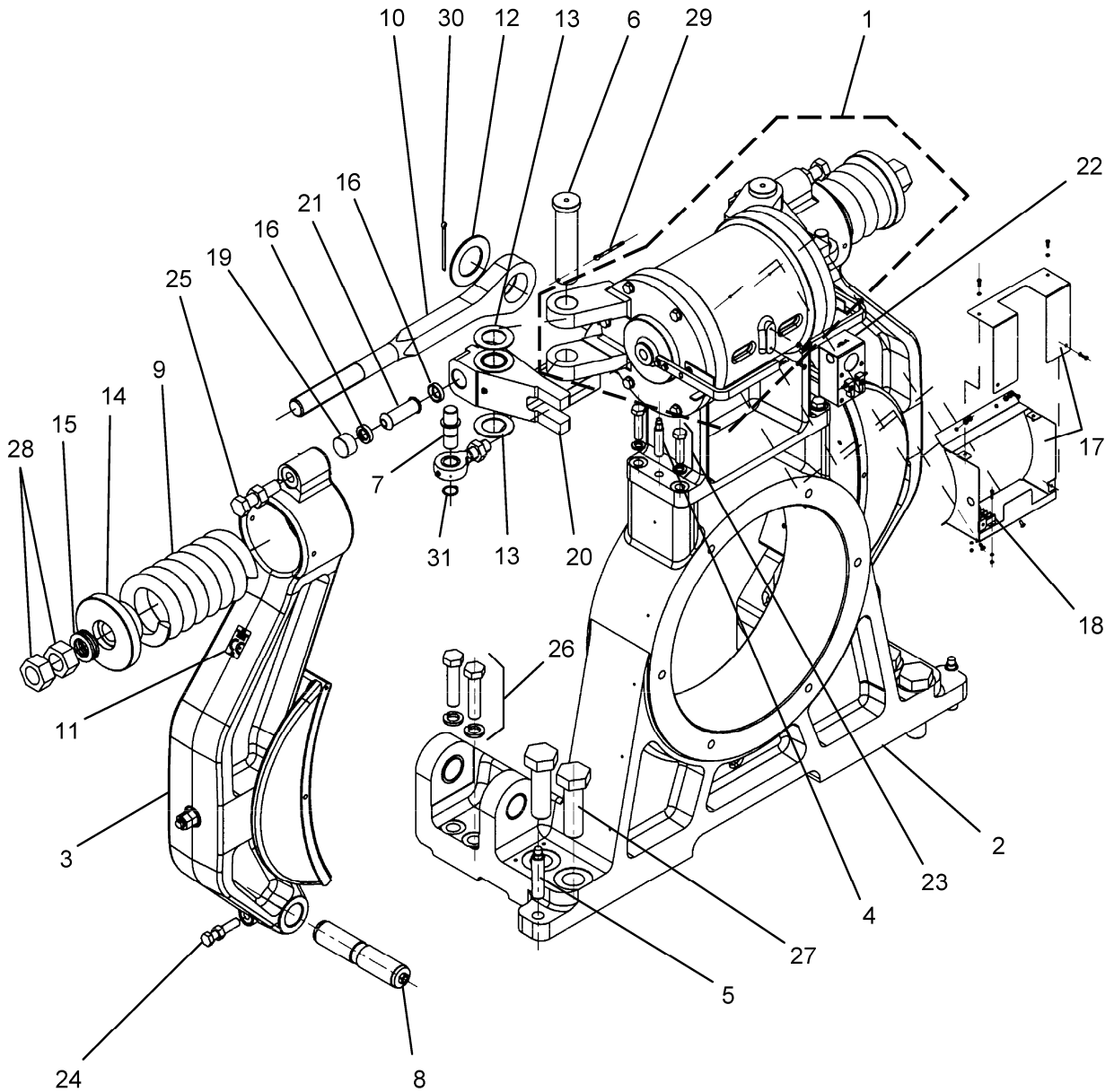
JAA ~ JFA20223AAK				
AAK1 ~ AAK4: COMMON ITEM		DESCRIPTION		
REF. No.	PART or ML	VOLTAGE	FREQUENCY	
16	JAA24721AAX101	380 V	50 Hz	Sirocco Fan w/ Motor (  NOTE)
	JAA24721AAX103	400 V		
	JAA24721AAX105	440 V		
	JAA24721AAX107	460 V		
	JAA24721AAX109	480 V		
	JAA24721AAX111	380 V	60 Hz	
	JAA24721AAX113	400 V		
	JAA24721AAX115	440 V		
	JAA24721AAX117	460 V		
	JAA24721AAX119	480 V		
17	JAA24721AAX102	380 V	50 Hz	Sirocco Fan w/ Motor (  NOTE)
	JAA24721AAX104	400 V		
	JAA24721AAX106	440 V		
	JAA24721AAX108	460 V		
	JAA24721AAX110	480 V		
	JAA24721AAX112	380 V	60 Hz	
	JAA24721AAX114	400 V		
	JAA24721AAX116	440 V		
	JAA24721AAX118	460 V		
	JAA24721AAX120	480 V		

**NOTE:** Part number is different by voltage and Hz of blower motor. Check voltage and Hz, before ordering.






**JAA ~ JFA20223AAK**

<b>REF. No.</b>	<b>PART or ML</b>	<b>DESCRIPTION</b>
1	JAA21410ABL3	PVT Assembly
2	JAA00316DBF001	Bracket
3	AAA633W1 JBA633ABK1	Speed Encoder

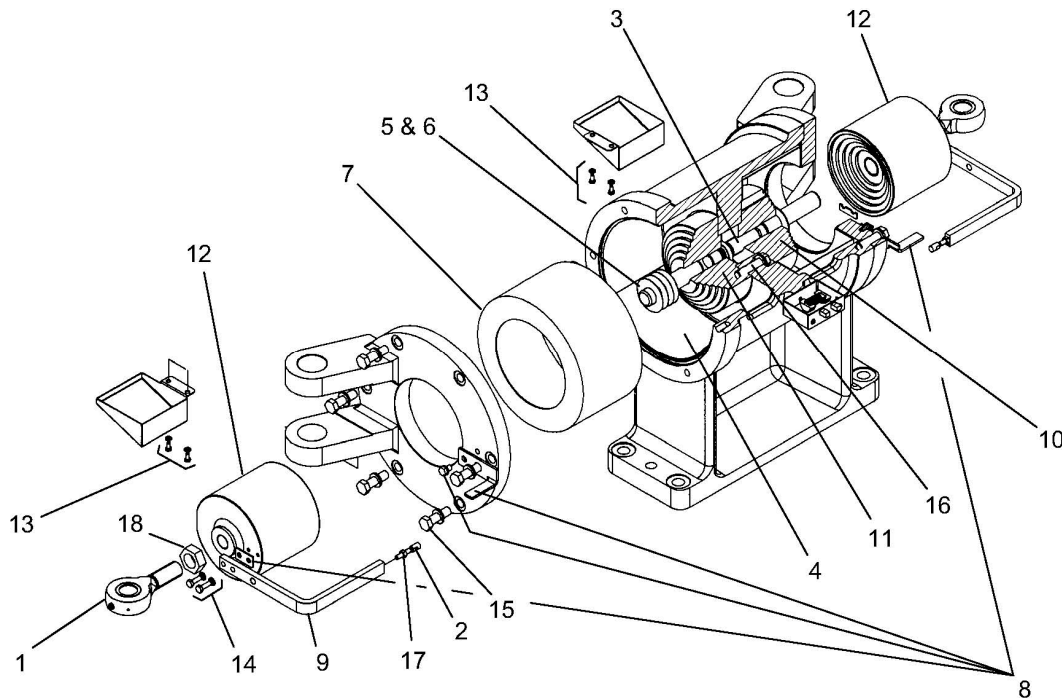


# Brake Assembly


**06-JAA20223AAK**

<b>JAA ~ JFA20223AAK</b>		
<b>REF. NO.</b>	<b>PART or ML</b>	<b>DESCRIPTION</b>
1		Brake Assembly  Detail, Page 21
2		Stand, Bearing Detail,  Page 23
3		Lever, Brake Detail,  Page 24
4	JAA00080AAA003	Pin, Taper
5	JAA00080AAA006	Pin, Taper
6	JAA00081AJZ001	Pin
7	JAA00081AKB001	Pin
8	JBA00081AKA001 JAA00081AKA001	Pin
9	JAA00090ACS001	Spring, Compression
10	JAA00098ADR001	Rod
11	JAA102BBH1	Plate, Data
12	JAA00127AAX001	Washer, Flat Ferrous
13	JAA00128AAB001	Washer, Flat Non-Ferrous
14	JAA00133AAJ001	Washer, Spring Seat
15	JAA00209AAK001	Bearing, Roller
16	JAA00209AAL001	Bearing, Roller
17	JAA285BZL1 JAA285BLJ1 JAA285APA1 & JAA285BZM1 JAA285BLK1 JAA285APB2	Cover, Formed
18	JAA00303ADS002	Terminal Block
19	JAA00329AAY001	Cap
20	JAA00430AAK002	Link
21	JAA00494ABH002	Shaft
22	JBA26912AAA001 JAA26912AAA001	Mechanical Switch Assembly
23	BFM20X080-C & LWS20-C	M20x80 Hex Hd Fin Bolt & M20 SLW
24	SHM20X100-C & NSM20-C	M20x100 Hex Hd Screws W/ Strength & M20 Hex Full Nut
25	SHM30X120-C & NSM30-C	M30x120 Hex Hd Screws W/ Strength & M30 Hex Full Nut
26	BFM30X130-C & LWS30-C	M30x130 Hex Hd Fin Bolt & M30 SLW
27	BFM48X160-C	M48x160 Hex Hd Fin Bolt
28	NSM48-C	M48 Hex Full Nut
29	PC8.0X80	8x80 Cotter Pin
30	PC8.0X125	8x125 Cotter Pin
31	RTC35S	Ø35 Retaining Ring "C" Type(S)

**Brake Assembly**

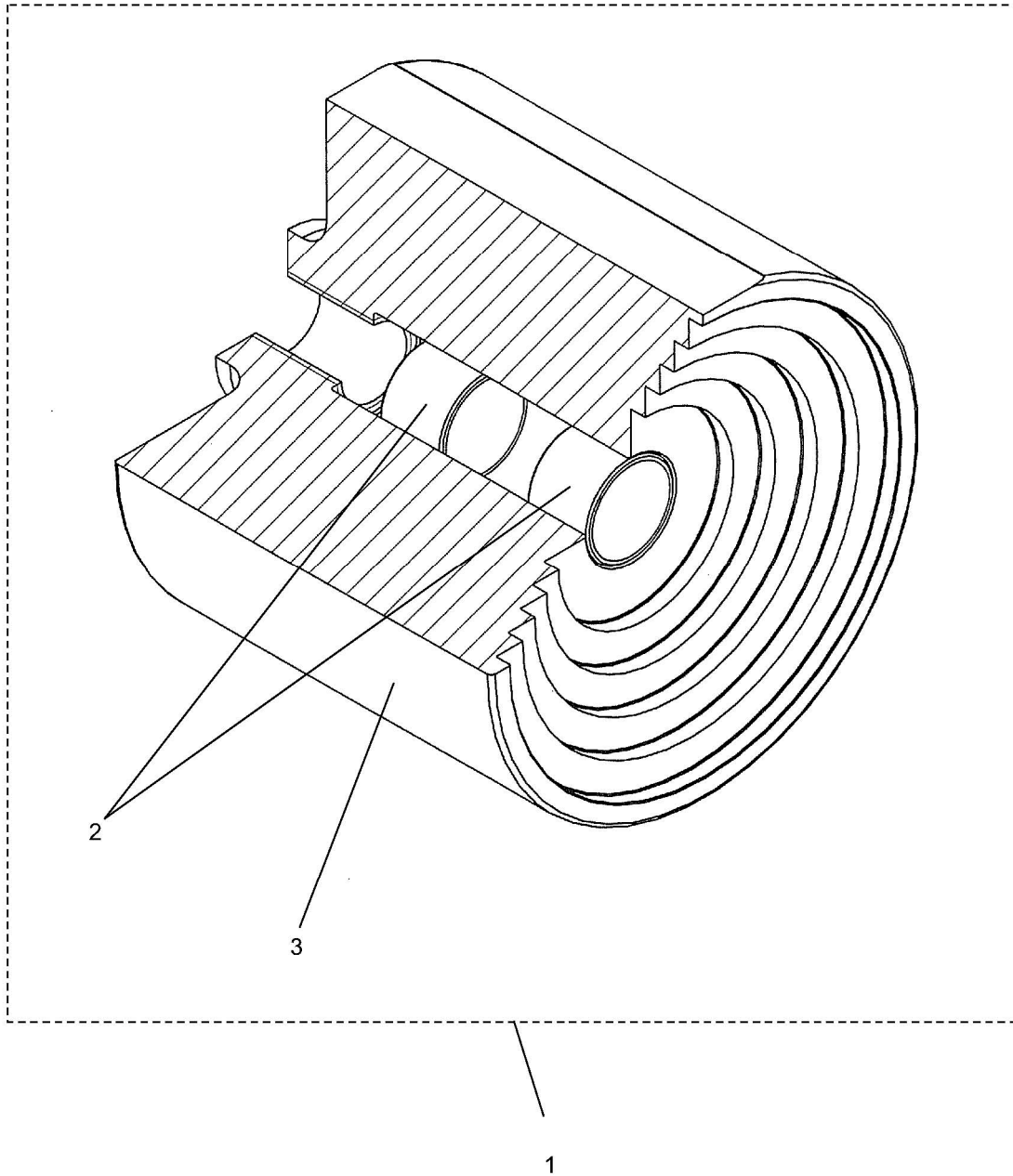


**JAA ~ JFA20223AAK**

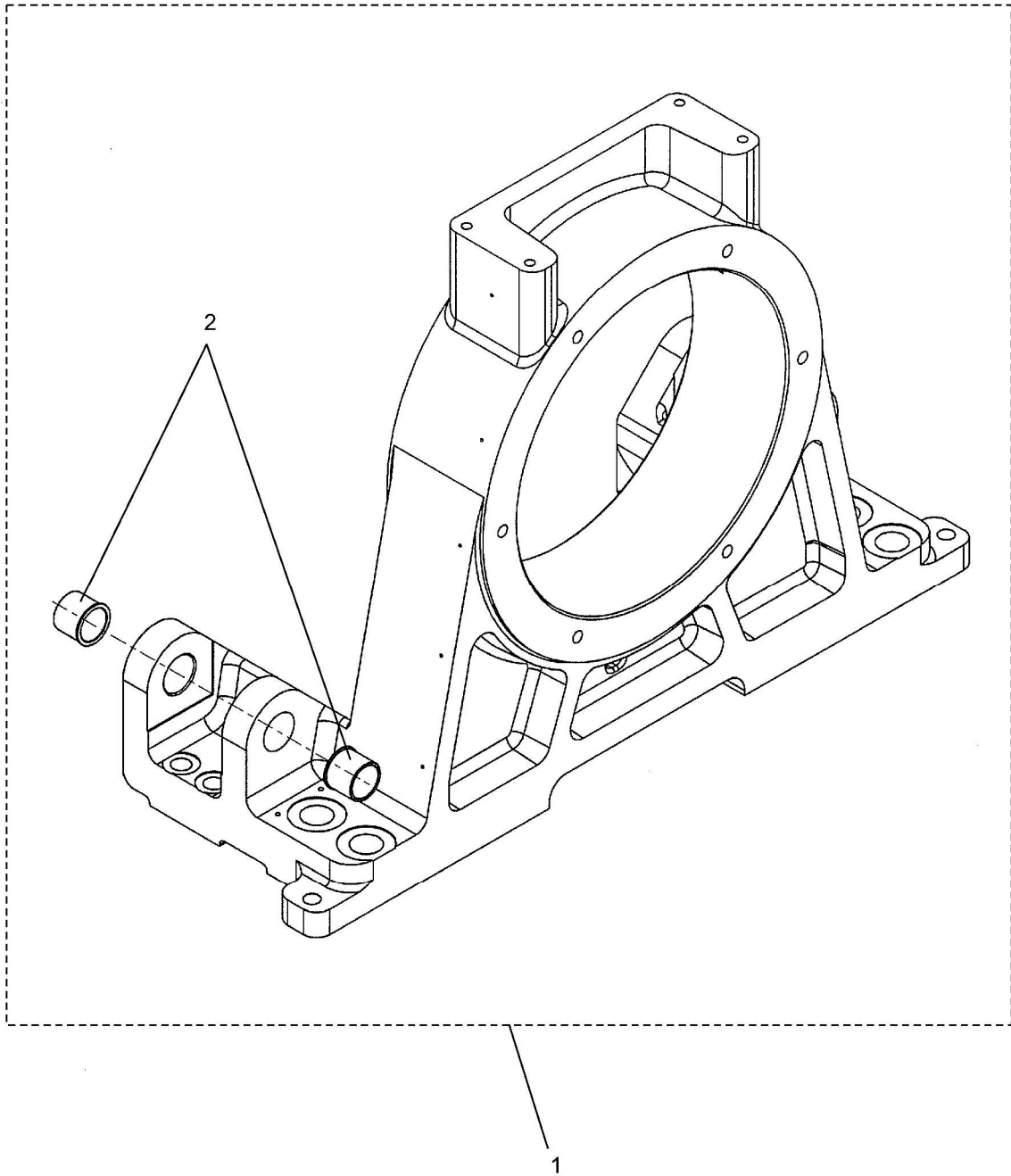
REF. NO.	PART or ML	DESCRIPTION
1	JAA00065ADX002	Bolt
2	JAA00081ANB001	Pin
3	JAA00098ADV001	Rod
4	JAA129ABC1	Insulator
5	JAA00131ACE003	Washer
6	JAA00131ACE004	Washer
7	JAA00234ABK001	Coil
8	JAA255AYM 1	Support For Brake Switch Operating Bracket
	JAA316VTK1 JAA00081AMZ001	
	JAA316VTK2 JAA00081AMZ001	
	BFM10X016-LW NSM10	
9	JAA00316DNT001	Bracket
10	JAA00400AAK003	Core
11	JAA00400AAK004	Core
12	---	Core  Detail, Page 22
13	BFM08X012-LW	M8x12 Hex Hd Fin Bolt W/ SLW
14	BFM08X025-FULL & LWS08	M8x25 Hex Hd Screw & M8 SLW
15	BFM16X055-C & LWS16-C	M16x55 Hex Hd Fin Bolt & M16 SLW
16	BFM16X065-C & LWS16-C	M16x65 Hex Hd Fin Bolt & M16 SLW
17	NSM08	M8 Hex Full Nut
18	JSM30-H-C	M30 Hex Jam Nut

# Core

06-JAA20223AAK



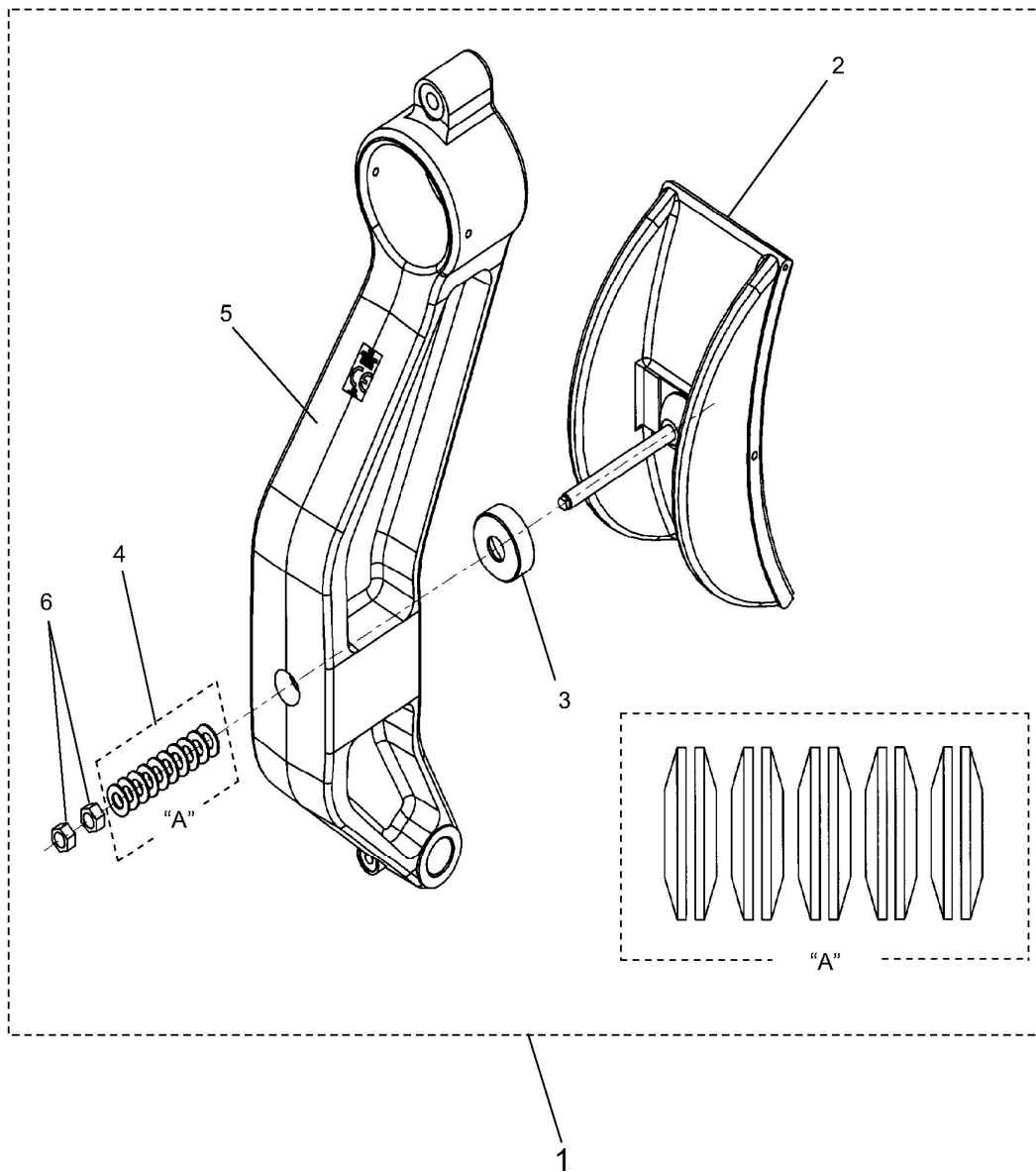
JAA ~ JFA20223AAK		
REF. No.	PART No.	DESCRIPTION
1	JAA00400AAL002	Core Assembly
2	JX212T6	Bearing
3	JAA00400AAL001	Core




<b>JAA ~ JFA20223AAK</b>		
<b>REF. No.</b>	<b>PART or ML</b>	<b>DESCRIPTION</b>
1	JAA00472AAD002	Stand, Bearing
2	JAA00335AAD003	Bearing, Plain

# Brake Arm

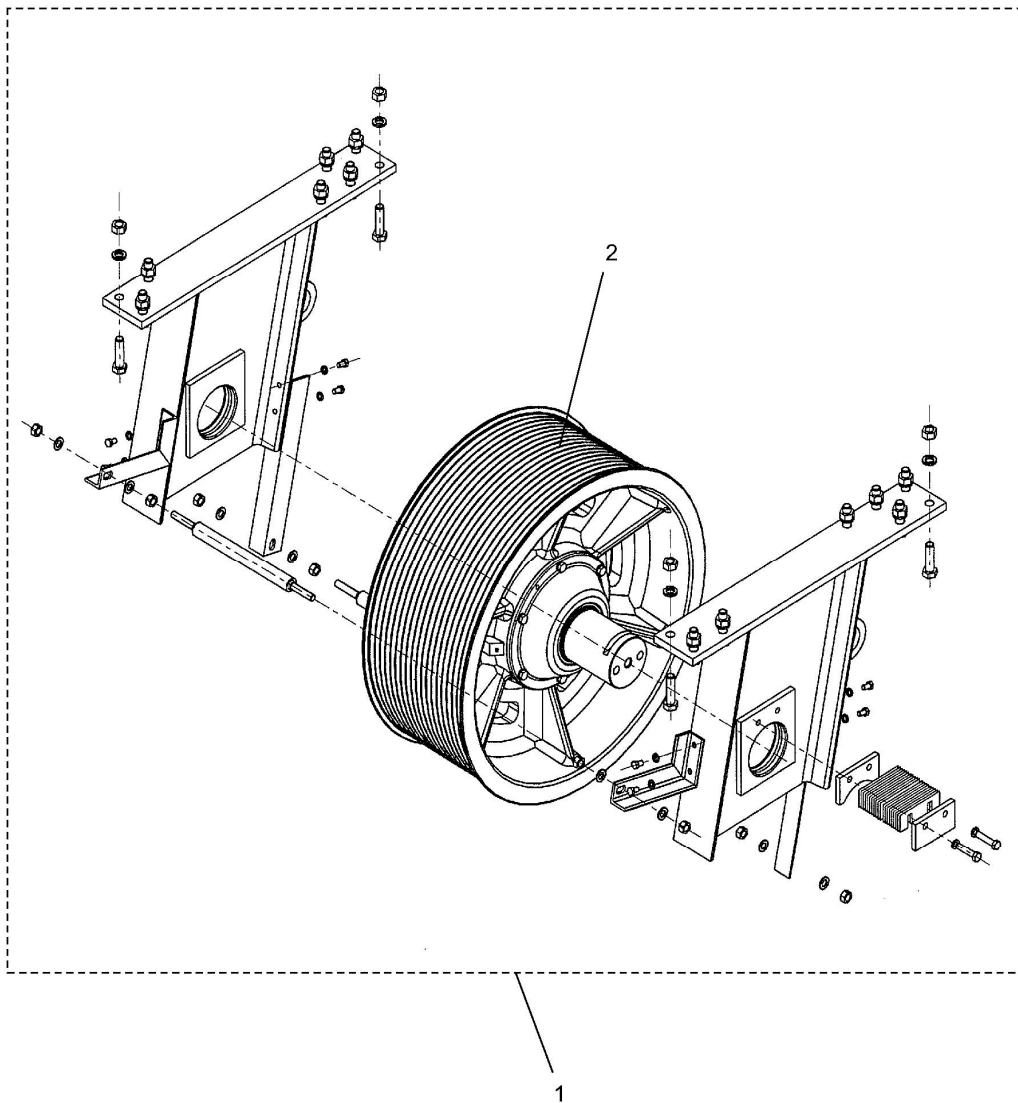
**06-JAA20223AAK**




JAA ~ JFA20223AAK		
REF. NO.	PART or ML	DESCRIPTION
1	JAA00286AAL001	Lever, Brake
2	JAA00415AAB002	Brake Shoe Assembly
3	JAA00131ACD001	Washer
4	JAA00131ACF001	Washer (10 Pcs.)  "A"
5	JAA00286AAK001	Lever, Brake
6	NSM24	M24 Hex Full Nut (2 Pcs.)

**NOTE:** All gearless machines must use brake arms or shoes that are lined with Green Gripper® lining supplied factory bonded by OSC to our offices.

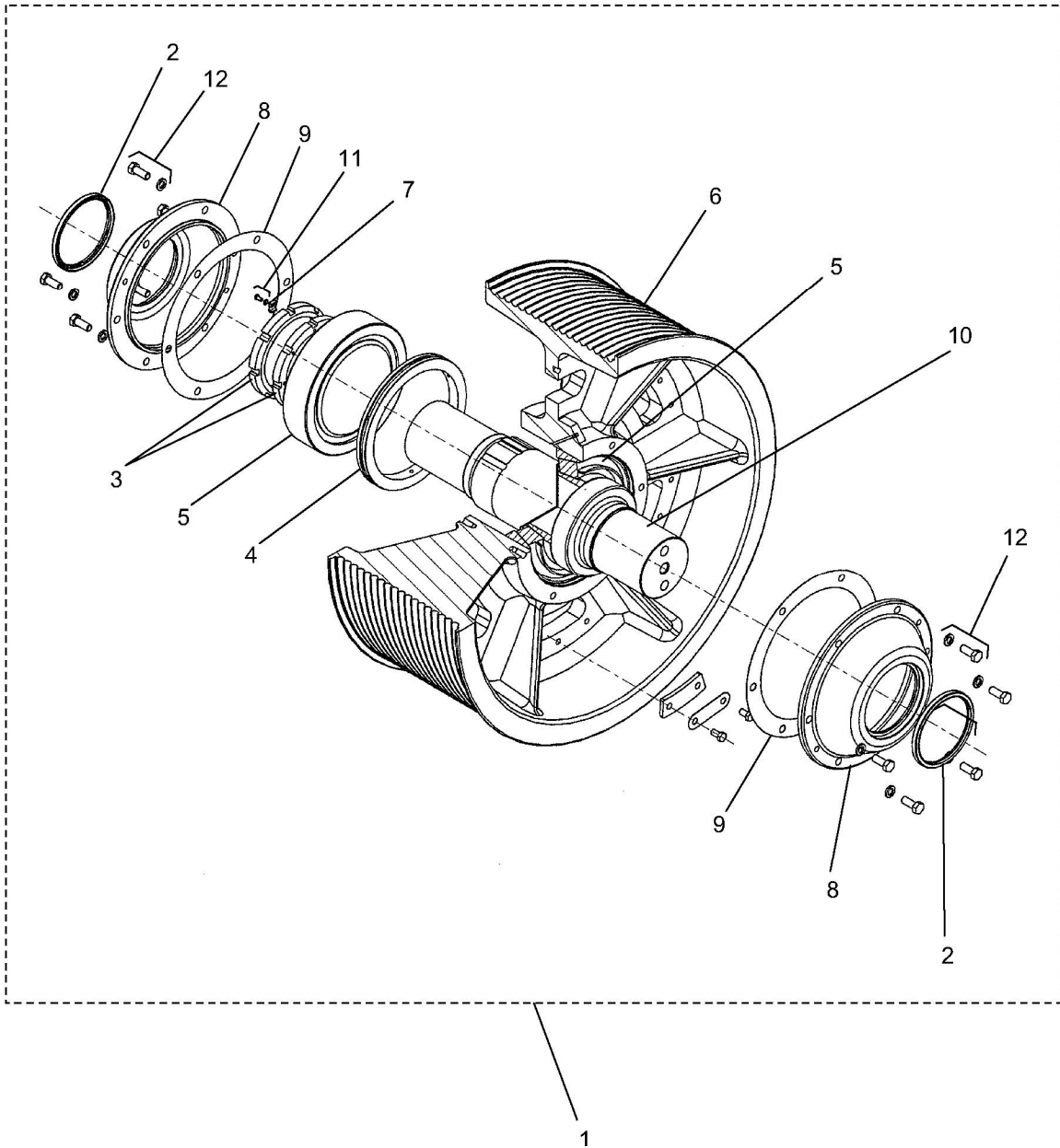




<b>JAA ~ JFA20223AAK</b>		
<b>REF. NO.</b>	<b>PART or ML</b>	<b>DESCRIPTION</b>
1	JCA20830AAE <del>JBA20830AAE</del> JAA20830AAE	Installation Secondary Sheave
2	---	Secondary Sheave Assembly  Detail, Page 26–27

**Secondary Sheave Assembly**



**06-JAA20223AAK**



**06-JAA20223AAK**

## **Secondary Sheave Assembly**

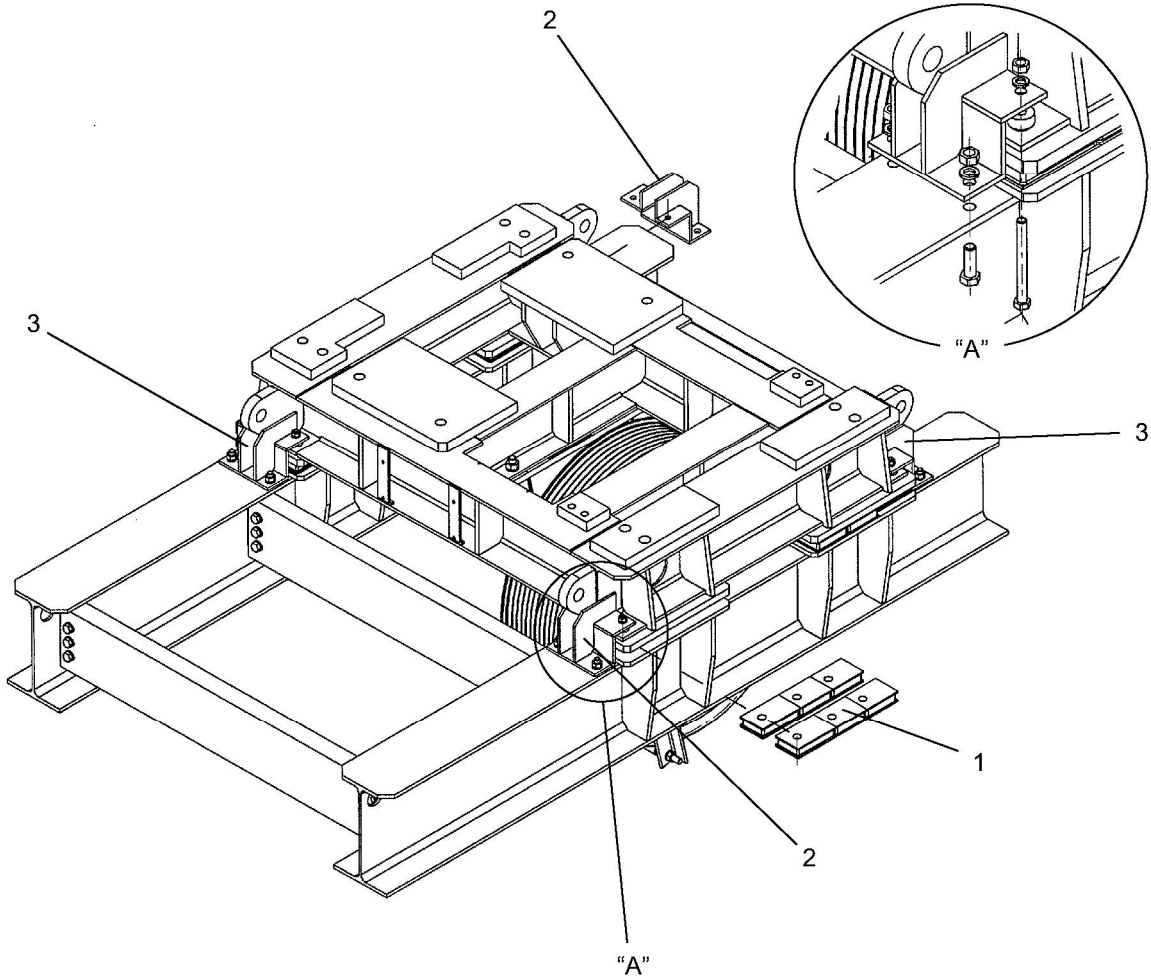
**JAA ~ JFA20223AAK**

REF. NO.	PART or ML	DESCRIPTION	NO. OF GROOVES	ROPE SIZE (mm)	REMARKS
1	JAA20830AAD1	Secondary Sheave Assembly			
2	JAA00033AAGO01	Seal			
3	JAA00072AAT001	Nut			
4	JAA00172AAP001	Ring			
5	JAA00209AAN001	Bearing, Roller			
6	JAA00265ABG001	Sheave	18  (NOTE)	22  (NOTE)	Round Seat, Grove Pitch = 26.5 mm
	JAA00265ABG002				Round Seat, Grove Pitch = 35 mm
7	JAA00339AFB001	Clip			
8	JAA00346AMN001	Cover			
9	JAA00376AAK006	Gasket			
10	JAA00495ABA001	Shaft, Sheave			
11	BFM08X016 & LWS08	M8x16 Hex Hd Fin			
		Bolt & M8 SLW			
12	BFM20X050-C & LWS20-C	M20x50 Hex Hd Fin			
		Bolt & M20 SLW			

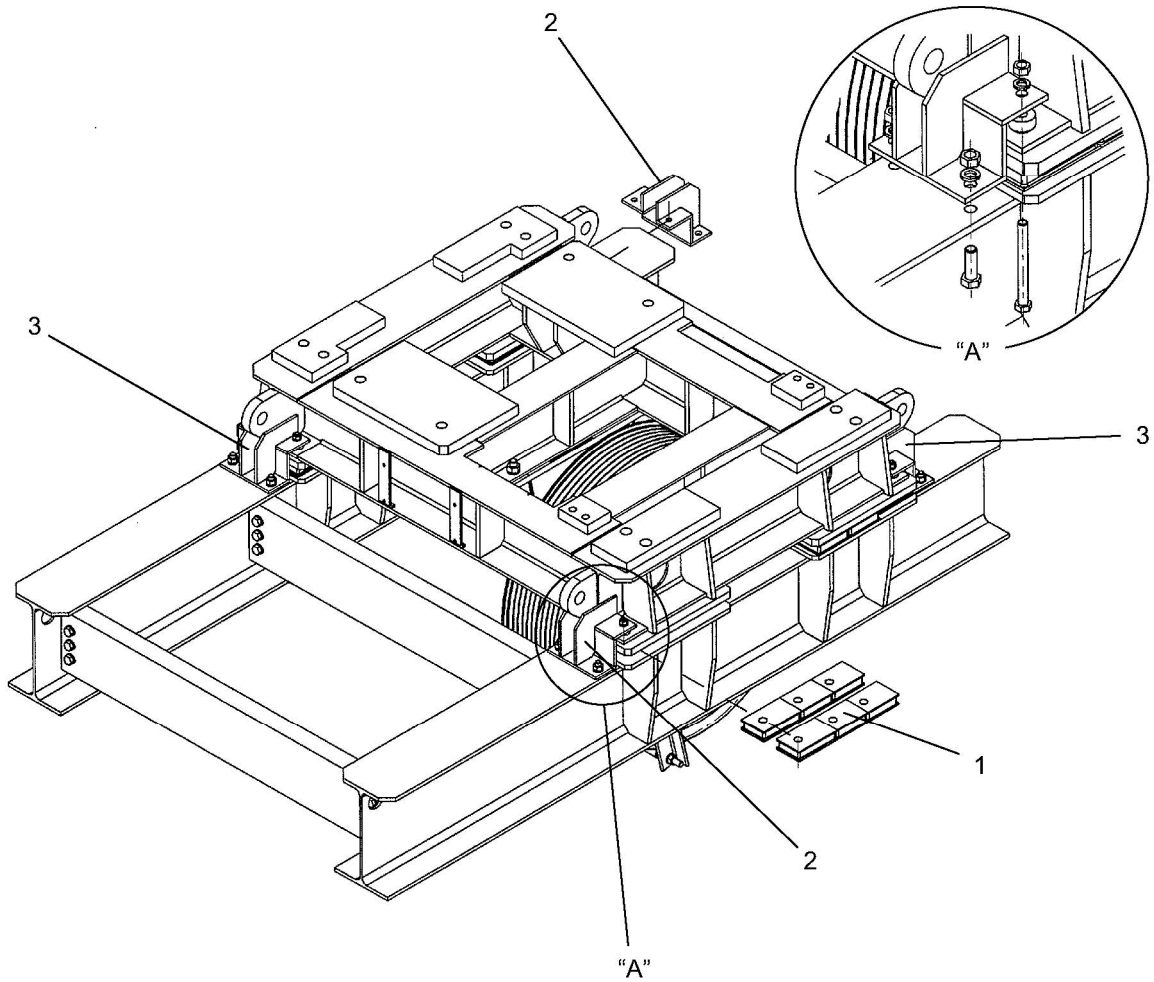
**NOTE:** Check rope size and number of grooves before ordering. If your sheave is not standard, contact the service center.

# Sound Isolation

**06-JAA20223AAK**



JAA ~ JFA20223AAK		
REF. NO.	PART or ML	DESCRIPTION
1	JAA310BDM1 JAA310ASE1	Block (220 x 130)
	JAA310BDM2 JAA310ASE2	Block (180 x 130)
2	JAA316JGS1	Bracket
3	JAA316JGS2	Bracket



<b>JAA ~ JFA20223AAK</b>		
<b>REF. NO.</b>	<b>PART or ML</b>	<b>DESCRIPTION</b>
1	JAA20141ABT1	Carpet Wiper
2	JAA297AAP8	Carpet (540 x 480 mm)
3	JAA297AP9	Carpet (400 x 480 mm)