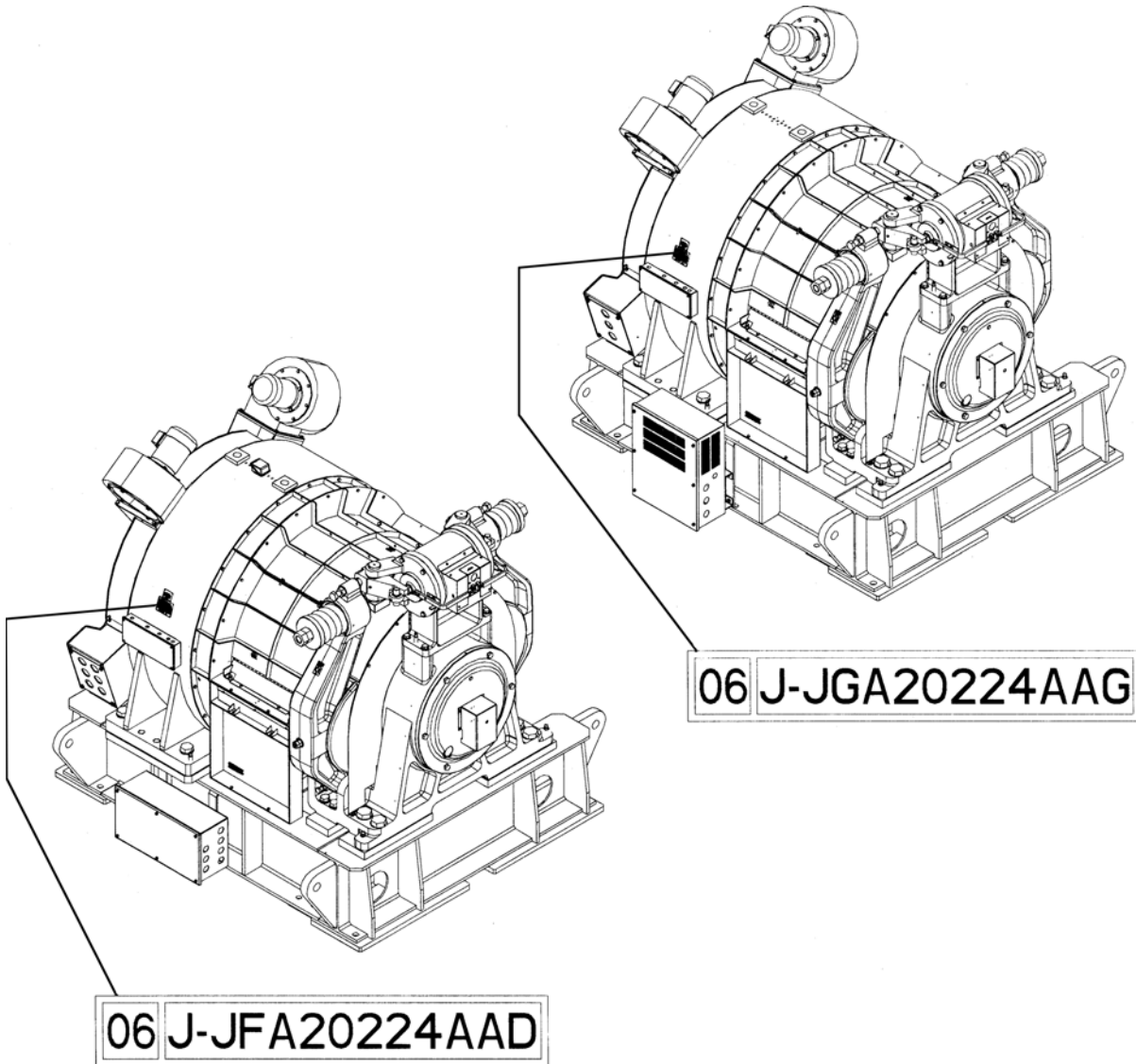


100T Machine

Spare Parts Leaflet

06-JAA20224AAG-NSAA

March 2, 2011 / Page 1 of 39



Unpublished Work—©Otis Elevator Co.; 2011

OTIS

Safety First!

SERVICE ENGINEERING
Otis Elevator Company
Bloomfield, Connecticut USA

Leaflet Description

This leaflet provides spare parts information for 100T Machine.

Leaflet Revisions

Date Revised	Subject Matter Expert	Reason for Revision
August 27, 2010	Yamaoka, Takayuki	New SPL
October 20, 2010	Val Sheynkman	Released the NSAA version of a Japanese SPL
February 16, 2011	Val Sheynkman	Updated information throughout
March 2, 2011	Val Sheynkman	Updated pp. 22–24

Related Drawings

Drawing No.	Drawing No.	Drawing No.
JFA20224AAD	JFA20224AAG	JAA00346ALN
JAA00346ALP	JAA20141ABW	JAA309ADA
JCA21310AAR	JCA21310AAS	JAA21310ABD
JBA309ADV	JBA20224AAF	JCA20224AAH
JAA21410AAV	JAA21410ABL	JDA20237AAF
JAA00400AAL	JAA00472AAD	JAA00286AAL
JCA20830AAN	JAA20830AAP	JCA20224AAJ
JAA20141ABV		

Related Documents

Document ID	Title
---	---

Subject Matter Expert

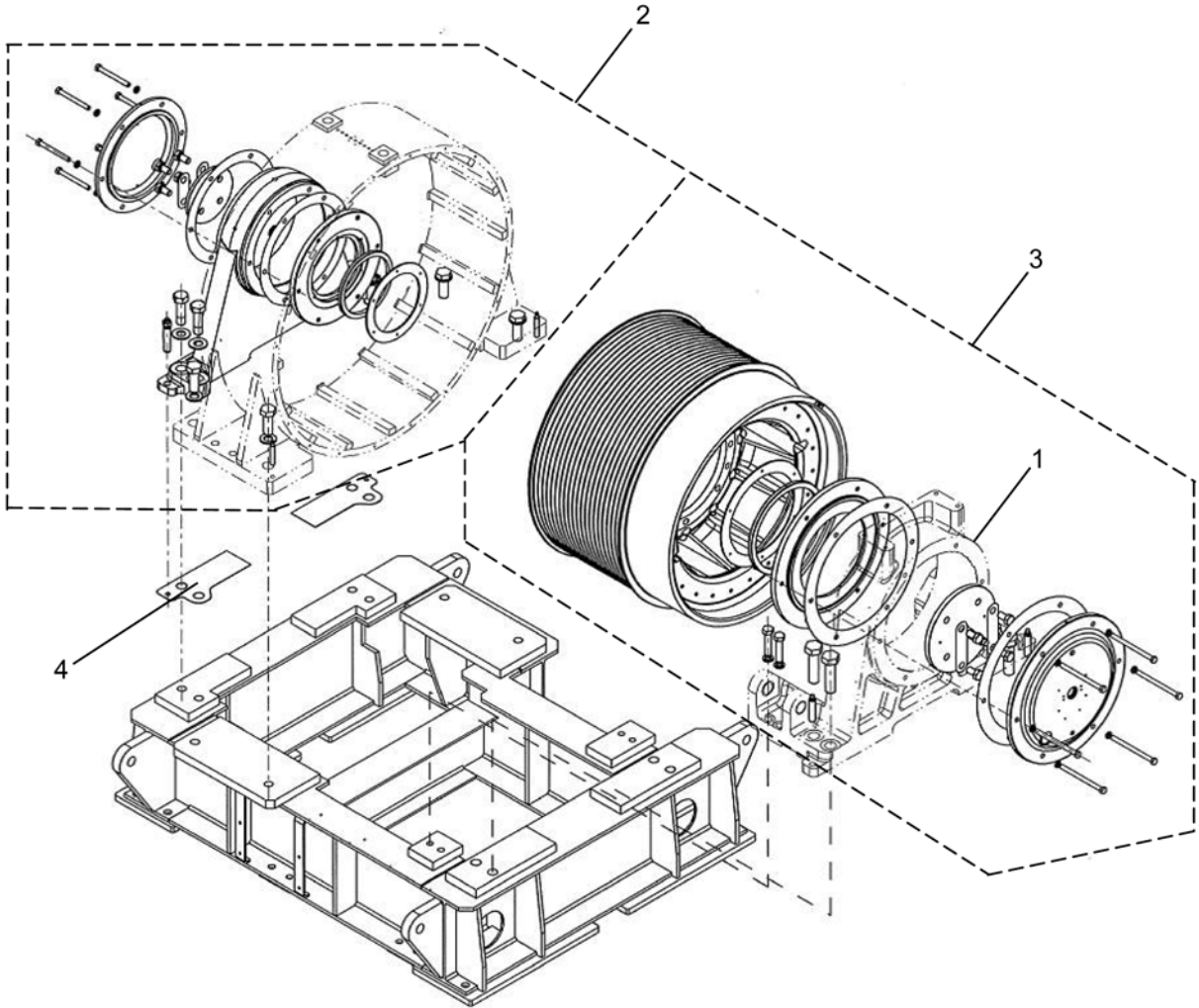
Name	Department
Val Sheynkman	OSC Service Engineering

About Spare Parts Leaflets...

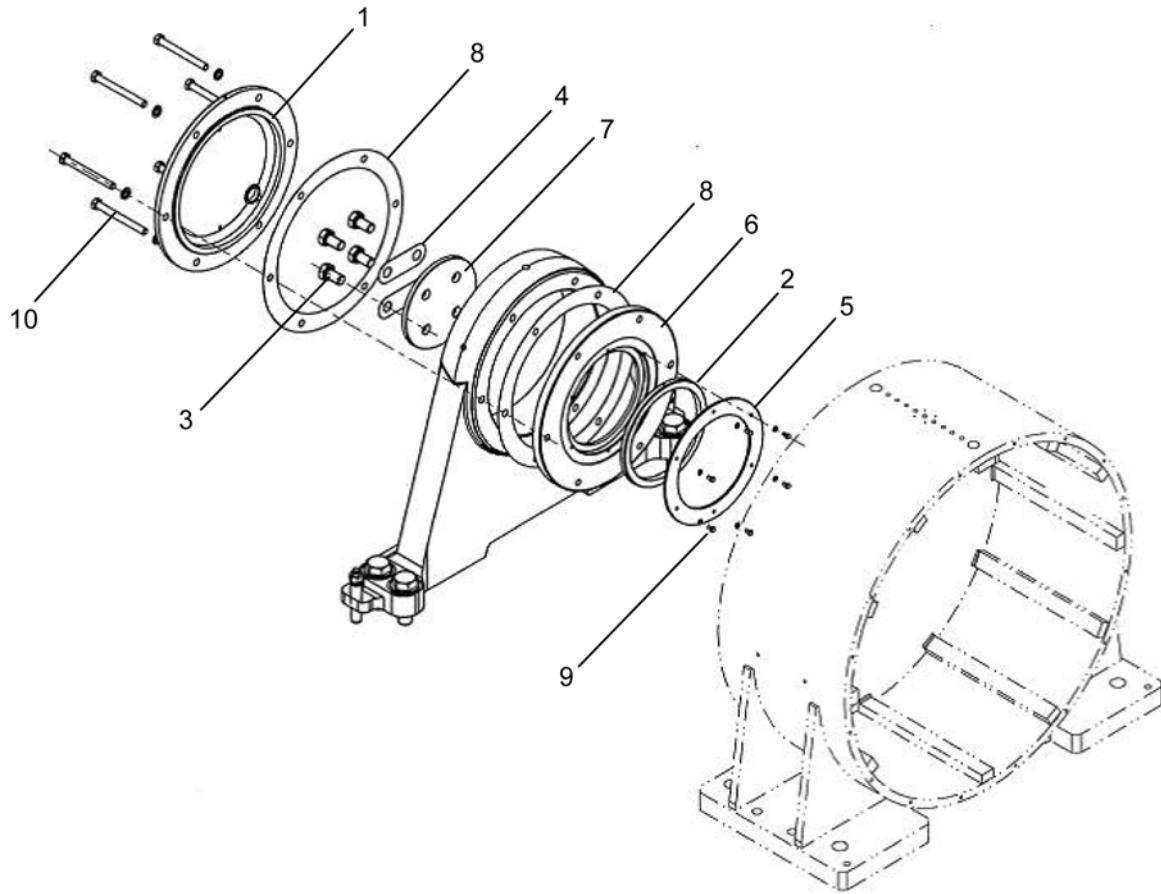
This document lists the lowest replaceable units (LRUs) for the standard version of the product. The LRUs are chosen by a team of Otis associates representing engineering and manufacturing.

While goal of this document is to make parts identification as easy as possible, the document cannot be all-inclusive. Elevator and escalator contracts classified as “special” or “custom” are not addressed here. For such contracts, please refer to specified information, the contract folder, TIPs, Field Education Articles, Construction Letters, etc. for further information.

If you have any suggestions about this document, please contact the subject matter expert listed on this page.



REF. No.	PART No.	DESCRIPTION
	JAA ~ JFA20224AAD_ JAA ~ JGA20224AAG_	
1	---	Brake Assembly, See Detail pp. 26–33
2	---	See p. 4 for Details
3	---	See p. 6 for Details
4	JAA129ABE1	Insulator

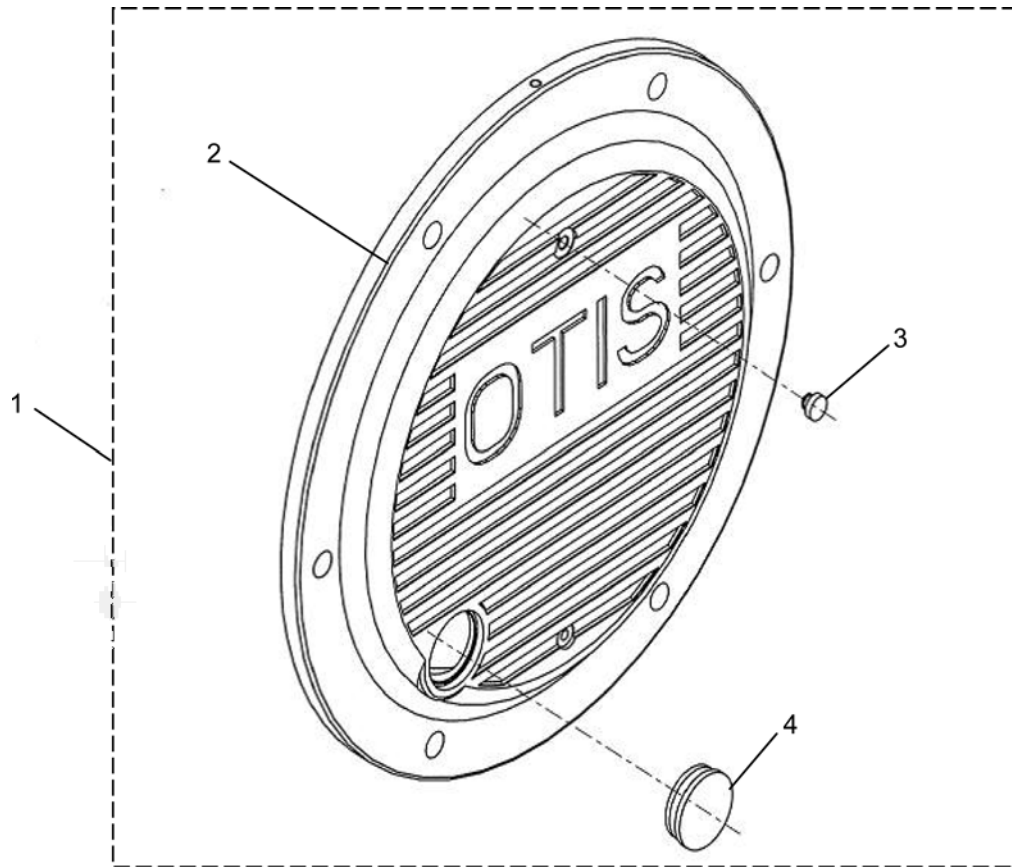


JAA ~ JFA20224AAD_
 JAA ~ JGA20224AAG_

REF. No.	PART No.	DESCRIPTION
1	---	Cover, See p. 5 for Details
2	JAA00033AAE005 JAA00033AAE002	Seal
3	JAA00065ADF002	Bolt
4	JAA00130AAG003	Washer, Lock
5	JAA00172AAL002	Ring
6	JAA00346AMD001	Cover
7	JAA00353AAG001	Disk
8	JAA00376AAK004	Gasket
9	BFM08X016 & LWS08	Bolt & Spring Washer (for reference only)
10	BFM20X200-C & LWS20-C	Bolt & Spring Washer (for reference only)

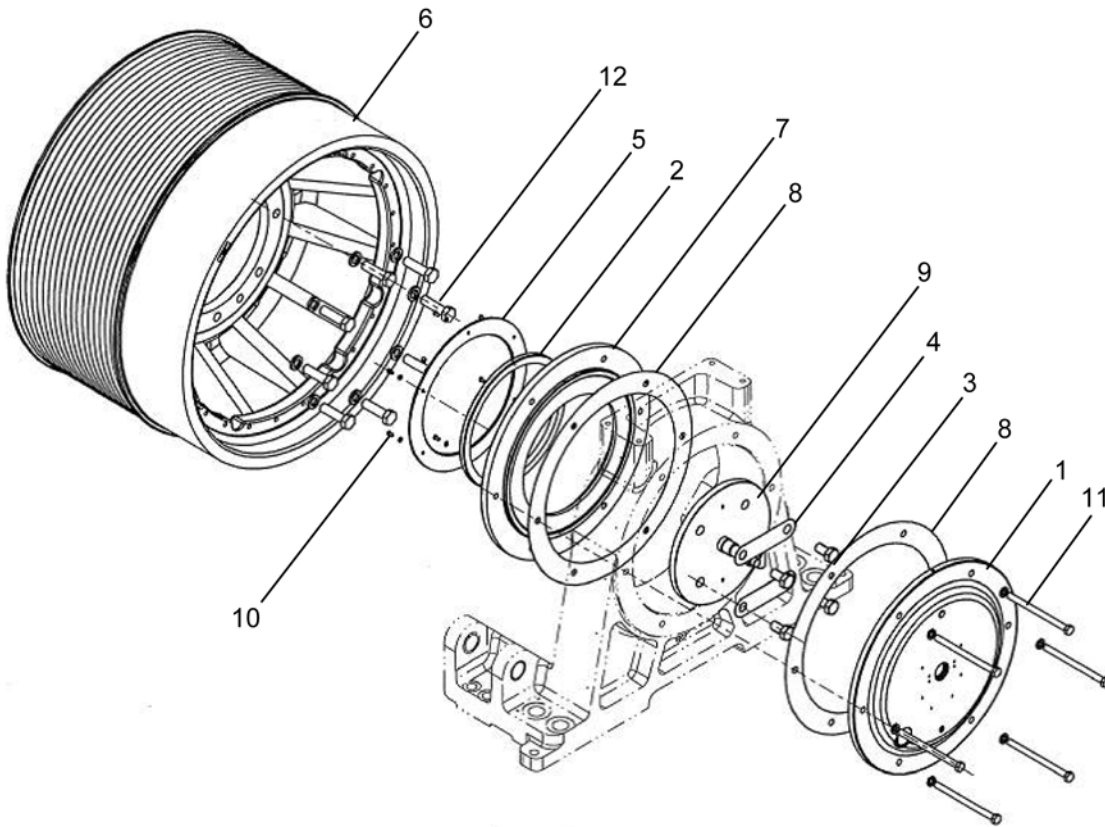
Bearing Cover

06-JAA20224AAG-NSAA



JAA ~ JFA20224AAD_
JAA ~ JGA20224AAG_

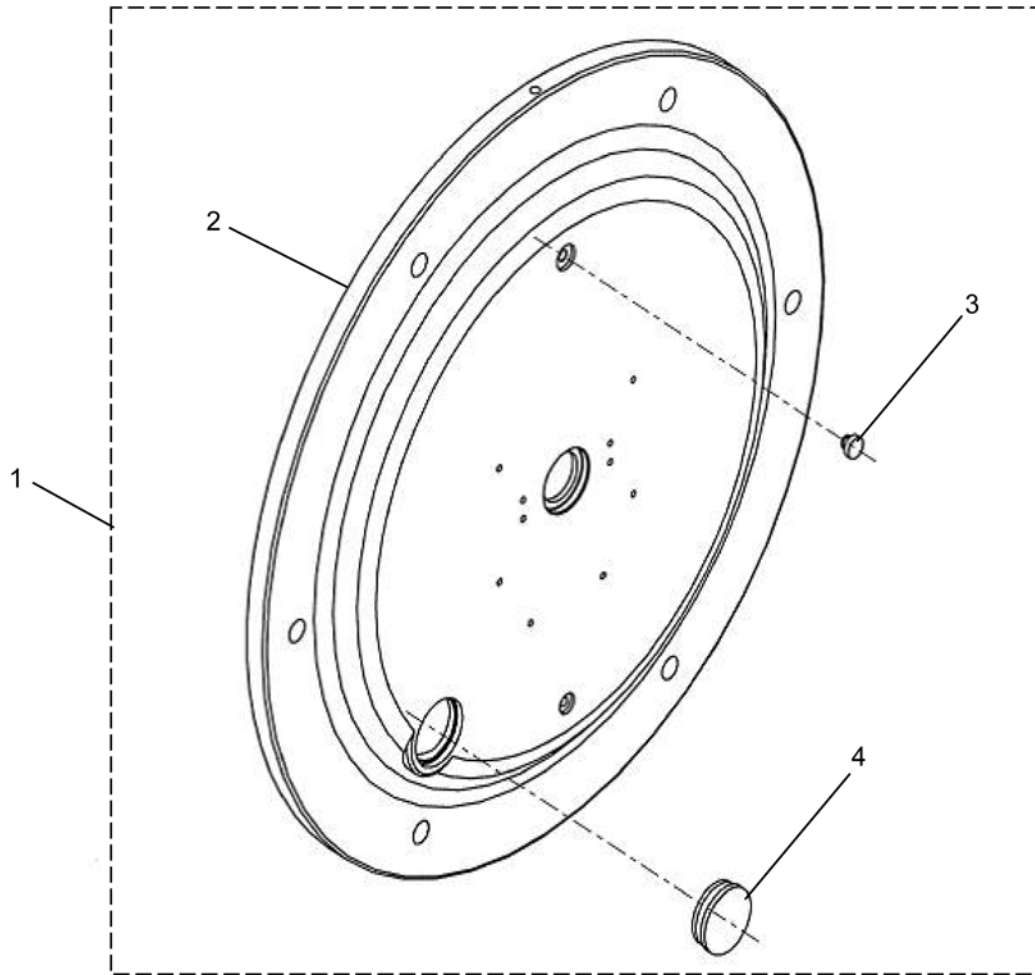
REF. No.	PART No.	DESCRIPTION
1	JAA00346ALN002	Bearing Cover Assembly
2	JAA00346ALN001	Cover (for reference only)
3	JAA346ASV1	Cover (for reference only)
4	JAA00719AAF002	Gauge



REF. No.	PART No.		DESCRIPTION
1	---		Cover, See p. 7 for Details
2	JAA00033AAE006 JAA00033AAE003		Seal
3	JAA00065ADF002		Bolt
4	JAA00130AAG004		Washer, Lock
5	JAA00172AAL003		Ring
6	---		Sheave, See p. 8 for Details
7	JAA00346AME001		Cover
8	JAA00376AAK005		Gasket
9	JAA00494ABF001	---	Shaft (not used in NSAA)
	---	JAA494AEX1	Shaft
10	BFM08X016 & LWS08		Bolt & Spring Washer (for reference only)
11	BFM20X280-C & LWS20-C		Bolt & Spring Washer (for reference only)
12	BFM30X090-C & LWS30-C		Bolt & Spring Washer (for reference only)

Bearing Cover

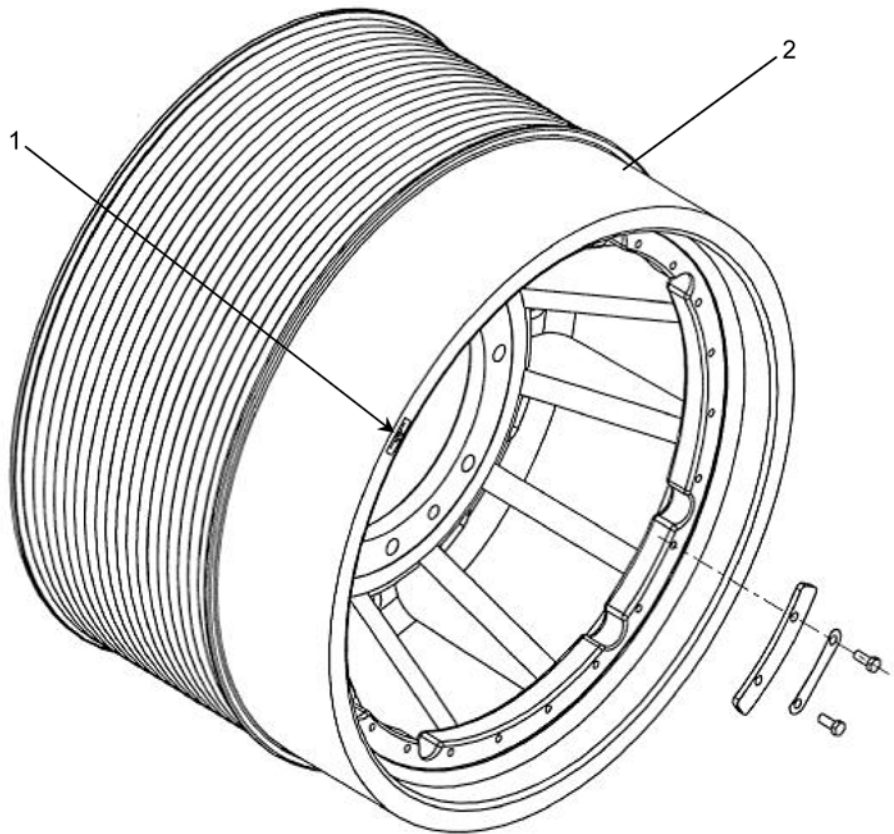
06-JAA20224AAG-NSAA



JAA ~ JFA20224AAD_
JAA ~ JGA20224AAG_

REF. No.	PART No.	DESCRIPTION
1	JAA00346ALP002	Bearing Cover Assembly
2	JAA00346ALP001	Cover (for reference only)
3	JAA346ASV1	Cover (for reference only)
4	JAA00719AAF002	Gauge

Driving Sheave



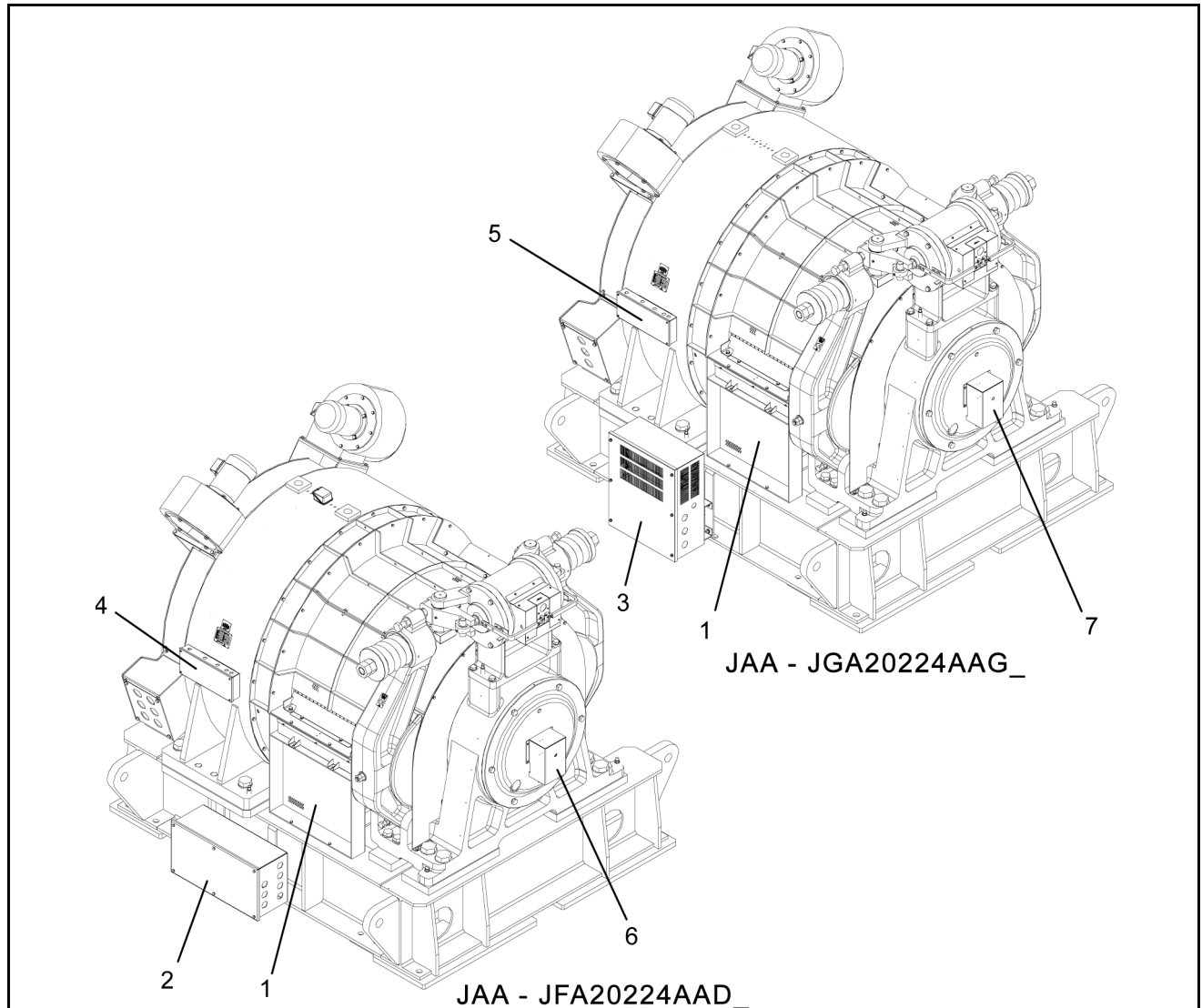
JAA ~ JFA20224AAD_
 JAA ~ JGA20224AAG_

REF. No.	PART No.	DESCRIPTION	NO. OF GROOVES	ROPE SIZE (mm)
1	JAA102BFJ5	Plate, Data (for reference only)	---	---
2	JAA261AAJ1	Sheave, Gearless	20 (see NOTE)	25 (see NOTE)
	JAA261AAJ3		22 (see NOTE)	22.4 (see NOTE)

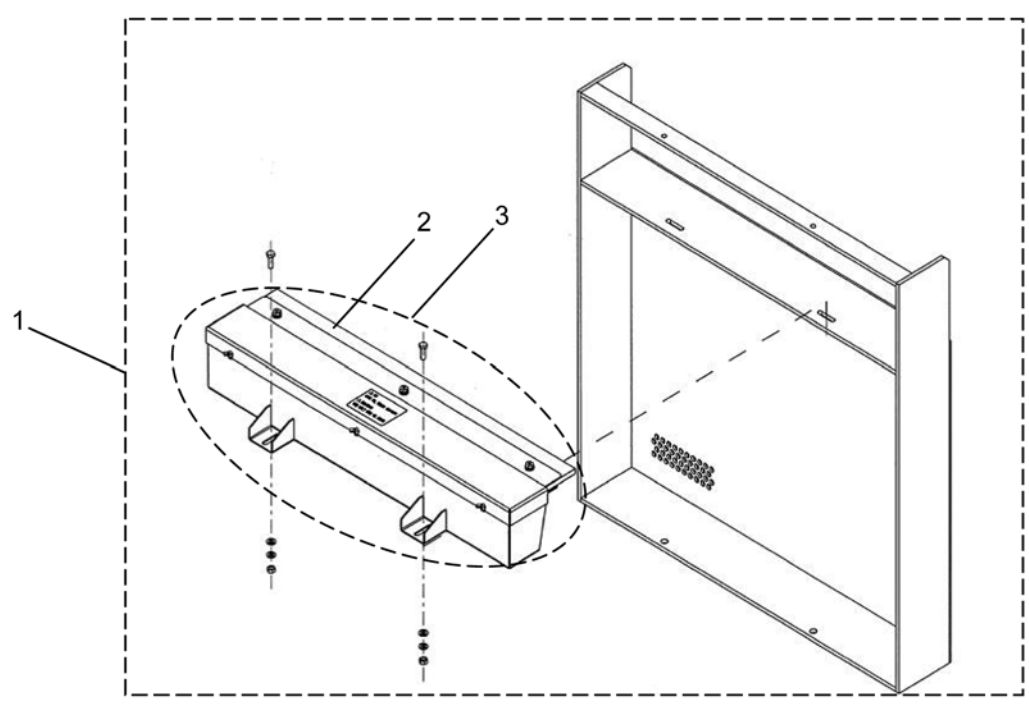
NOTE: Check rope size and number of grooves prior to ordering. If your sheave is not standard, contact the service center.

Guard, Junction Box, Motor Filter Box, PVT Assembly

06-JAA20224AAG-NSAA



JAA ~ JFA20224AAD_ JAA ~ JGA20224AAG_		
REF. No.	PART No.	DESCRIPTION
1	---	Rope Lubricator, See p. 10 for Details
2	---	Box, Junction, See p. 11 for Details
3	---	Motor Filter Box, See pp. 12–13 for Details
4	---	Box, Junction, See p. 19 for Details
5	---	Box, Junction, See p. 20 for Details
6	---	PVT Assembly, See p. 24 for Details
7	---	PVT Assembly, See p. 25 for Details

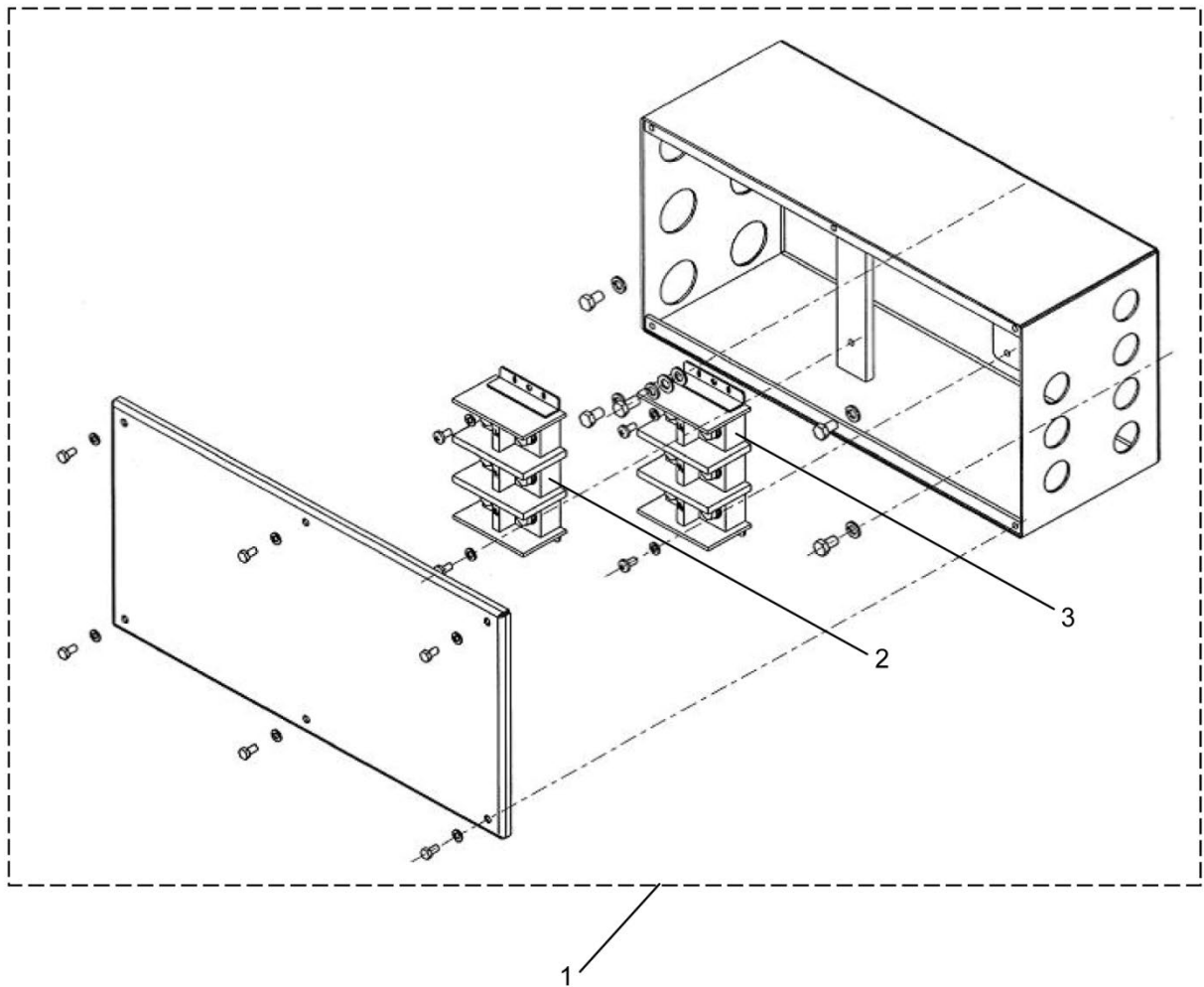


JAA ~ JFA20224AAD_	
AAD1	AAD2

REF. No.	PART No.		DESCRIPTION
1	JAA384AJV1 JAA20141ABW1	---	Guard
	---	JAA384AJV1 JAA20141ABW2	
2	JAA488AAD8		Wick
3	JAA508AAP8		Reservoir

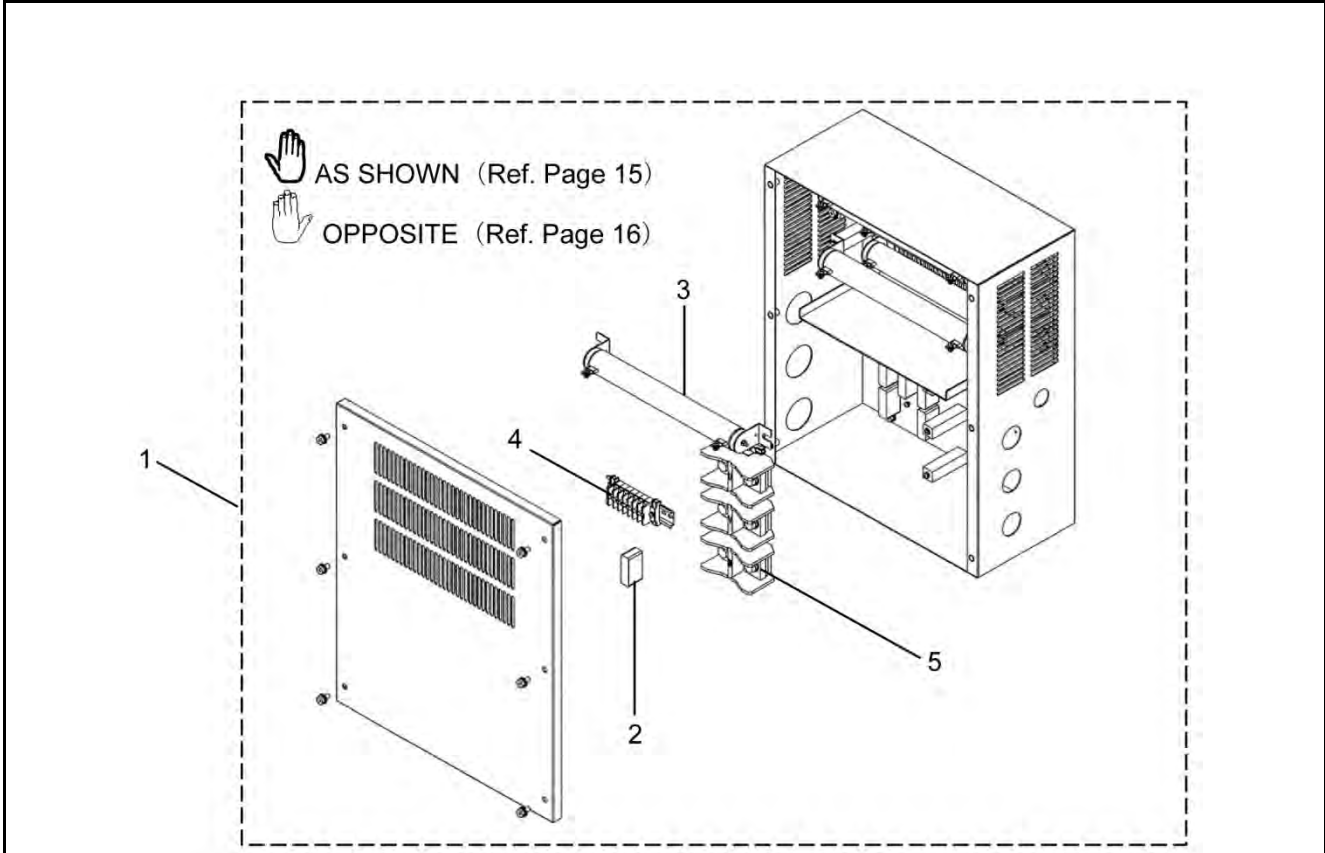
JAA ~ JGA20224AAG_			
AAG1 (RH)	AAG2 (LH)	AAG3 (RH)	AAG4 (LH)

REF. No.	PART No.				DESCRIPTION
1	JAA384AJV1 JAA20141ABW1	---	JAA384AJV1 JAA20141ABW1	---	Guard
	---	JAA384AJV1 JAA20141ABW2	---	JAA384AJV1 JAA20141ABW2	
2	JAA488AAD8				Wick
3	JAA508AAP8				Reservoir



REF. No.	PART No.		DESCRIPTION
	JAA ~ JFA20224AAD_	AAD1 AAD2	
1	JAA309ADA1	---	Box, Junction (not used in NSAA)
	---	JAA309ADA2	
2	JAA303AEN1	---	Terminal Block (not used in NSAA)
	---	JAA303AEN2	
3	JAA303AEN2	---	Terminal Block (not used in NSAA)
	---	JAA303AEN1	

Motor Filter Box for Single Drive, for Motor Lead

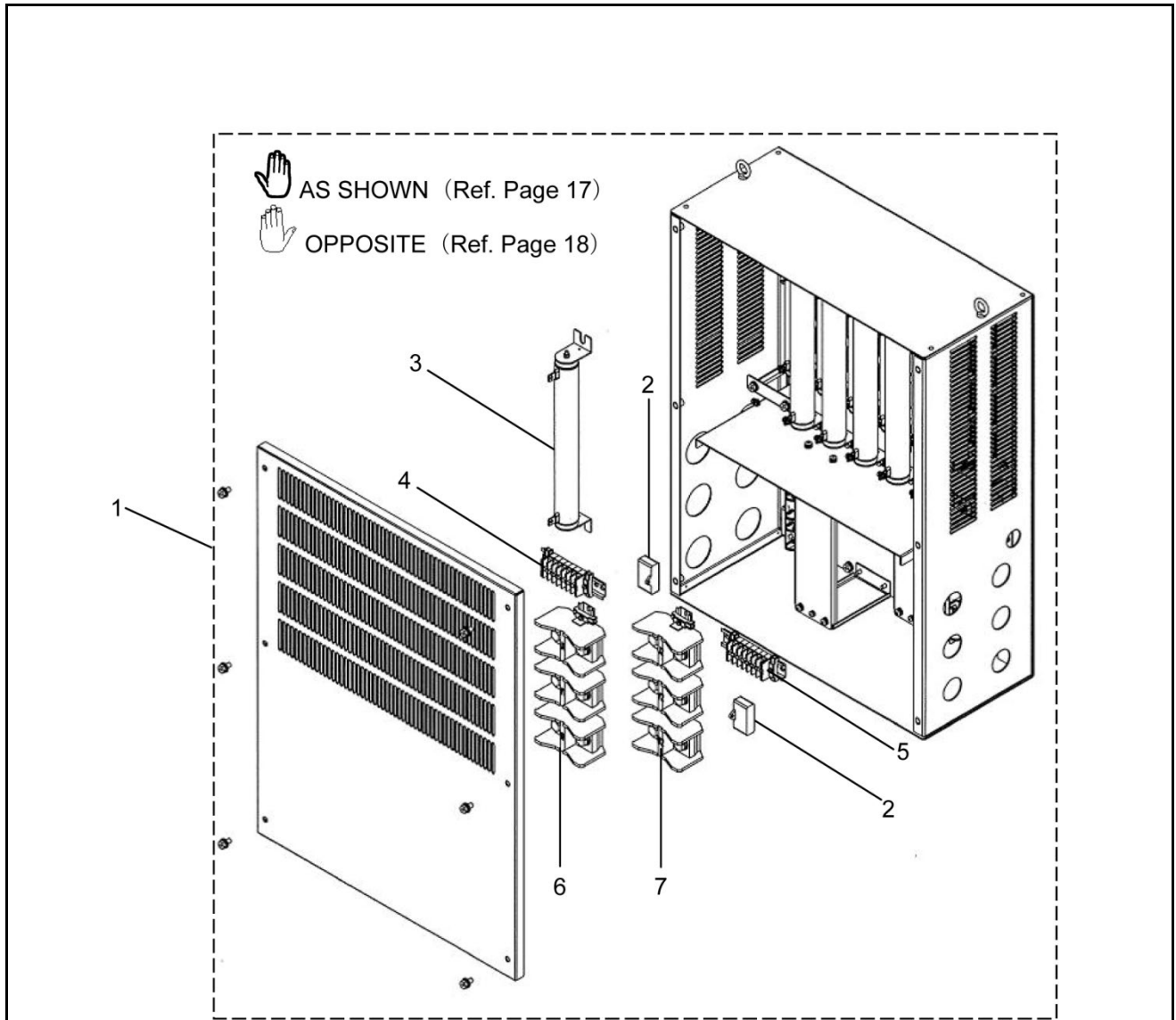


JAA ~ JGA20224AAG_			
AAG1 (RH)		AAG2 (LH)	
REF. No.	PART No.		DESCRIPTION
1	JAA21310AAR1 JBA21310AAR1 JCA21310AAR1	---	Motor Filter Box (for reference only)
	---	JAA21310AAS1 JBA21310AAS1 JCA21310AAS1	
2	---		Capacitor, Fixed, See pp. 15–16 for Details
3	JAA232AGV1		Resistor Assembly
4	JAA303AGB1		Terminal Block (reference only), See NOTE
5	JAA303AGD1		Terminal Block (reference only), See NOTE

NOTE: In case of a left hand, ref. 4 is located on the right side.

Motor Filter Box for Tandem Drive, for Motor Lead

06-JAA20224AAG-NSAA



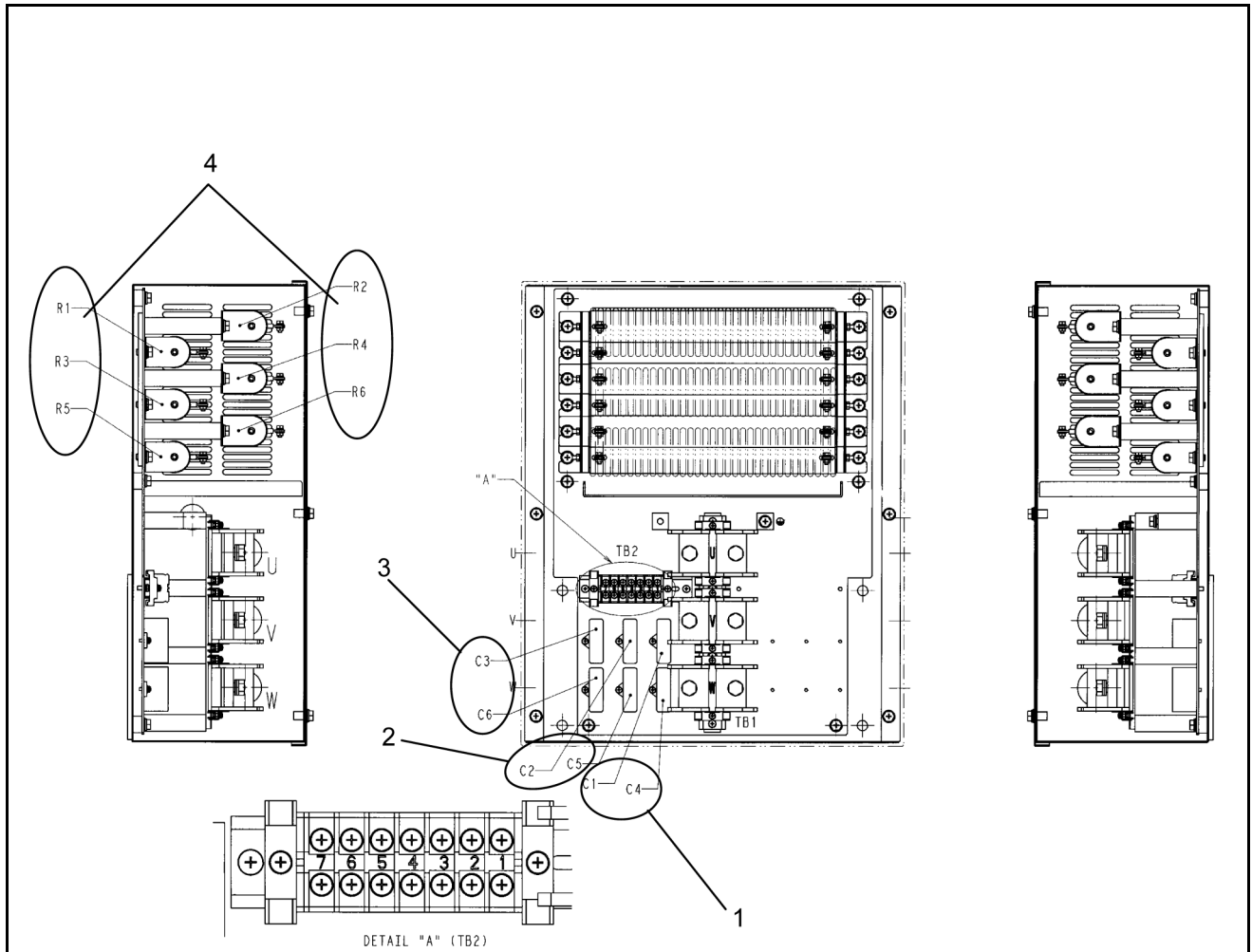
JAA ~ JGA20224AAG_			
	AAG3 (RH)	AAG4 (LH)	
REF. No.	PART No.		DESCRIPTION
1	JAA21310ABD1	---	Motor Filter Box (for reference only)
	---	JAA21310ABD4	Capacitor, Fixed, See pp. 17-18 for Details
2	---		

Motor Filter Box for Tandem Drive, for Motor Lead

		JAA ~ JGA20224AAG_		
		AAG3 (RH)	AAG4 (LH)	
REF. No.	PART No.		DESCRIPTION	
3	---		Resistor Assembly	
4	JAA303AGB1	---		Terminal Block (for reference only)
	---	JAA303AGB2		
5	JAA303AGB2	---		
	---	JAA303AGB1		
6	JAA303AGD2	---		
	---	JAA303AGD3		
7	JAA303AGD3	---		
	---	JAA303AGD2		

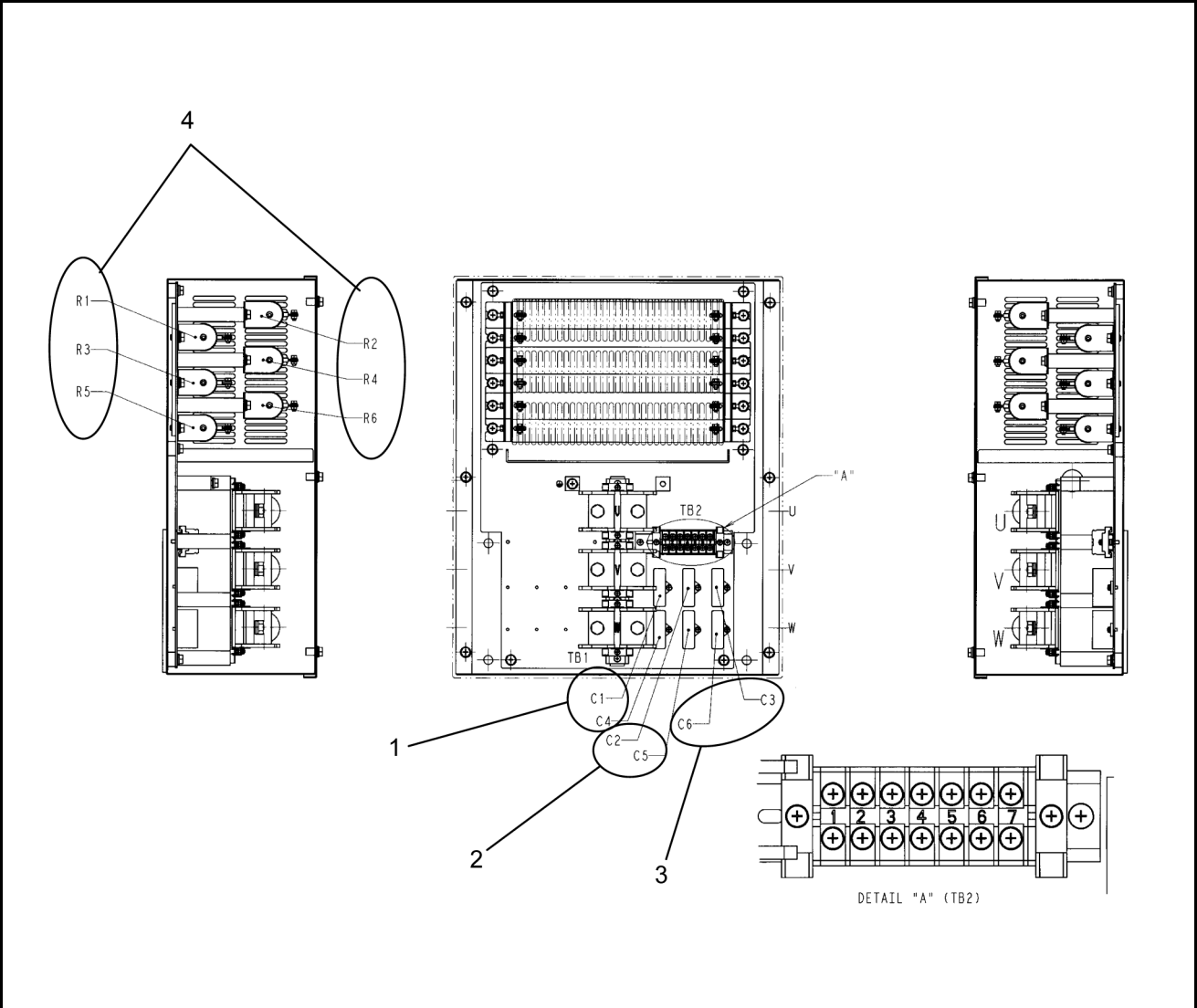
Motor Filter Box for Single Drive (J_A20224AAG), RH

06-JAA20224AAG-NSAA



JAA - JGA20224AAG_				
AAG1 (RH)				
REF. No.	PART No.	DESCRIPTION	SYMBOL	QTY.
1	JAA174FVH9	Capacitor w/Lead Wire, (2) JAA226AKX1	C1, C4	1
2	JAA174FVH10	Capacitor w/Lead Wire, (2) JAA226AKX1	C2, C5	1
3	JAA174FVH11	Capacitor w/Lead Wire, (2) JAA226AKX1	C3, C6	1
4	JAA232AGV1	Resistor	R1 - R6	6

Motor Filter Box for Single Drive (J_A20224AAG), LH

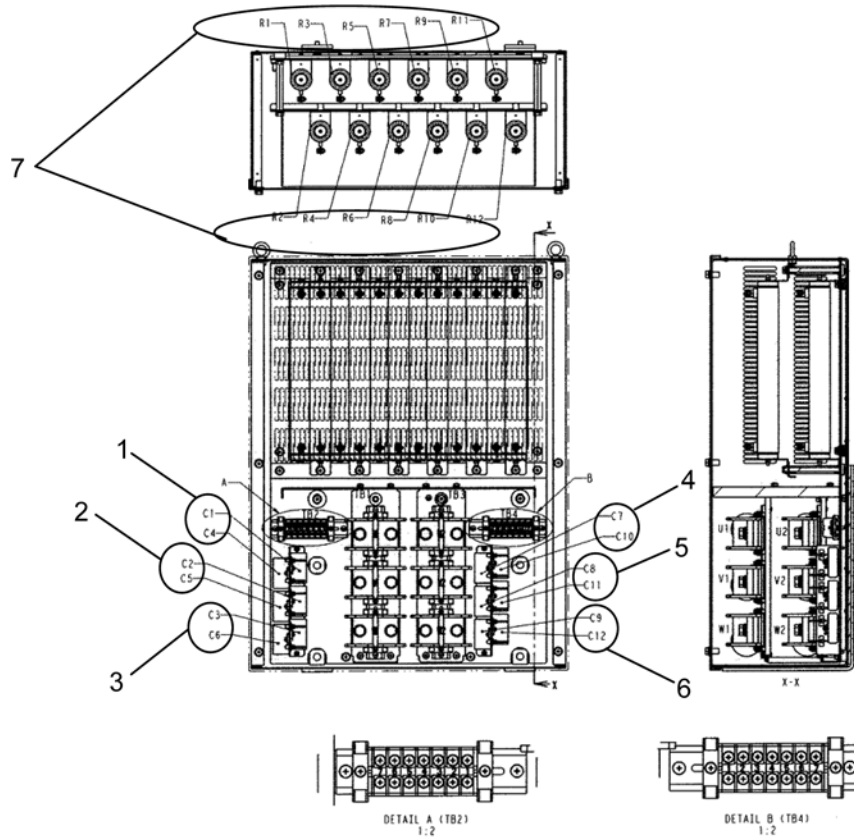


JAA ~ JGA20224AAG_	
AAG2 (LH)	

REF. No.	PART No.	DESCRIPTION	SYMBOL	QTY.
1	JAA174FVH12	Capacitor w/Lead Wire, (2) JAA226AKX1	C1, C4	1
2	JAA174FVH13	Capacitor w/Lead Wire, (2) JAA226AKX1	C2, C5	1
3	JAA174FVH14	Capacitor w/Lead Wire, (2) JAA226AKX1	C3, C6	1
4	JAA232AGV1	Resistor	R1 – R6	6

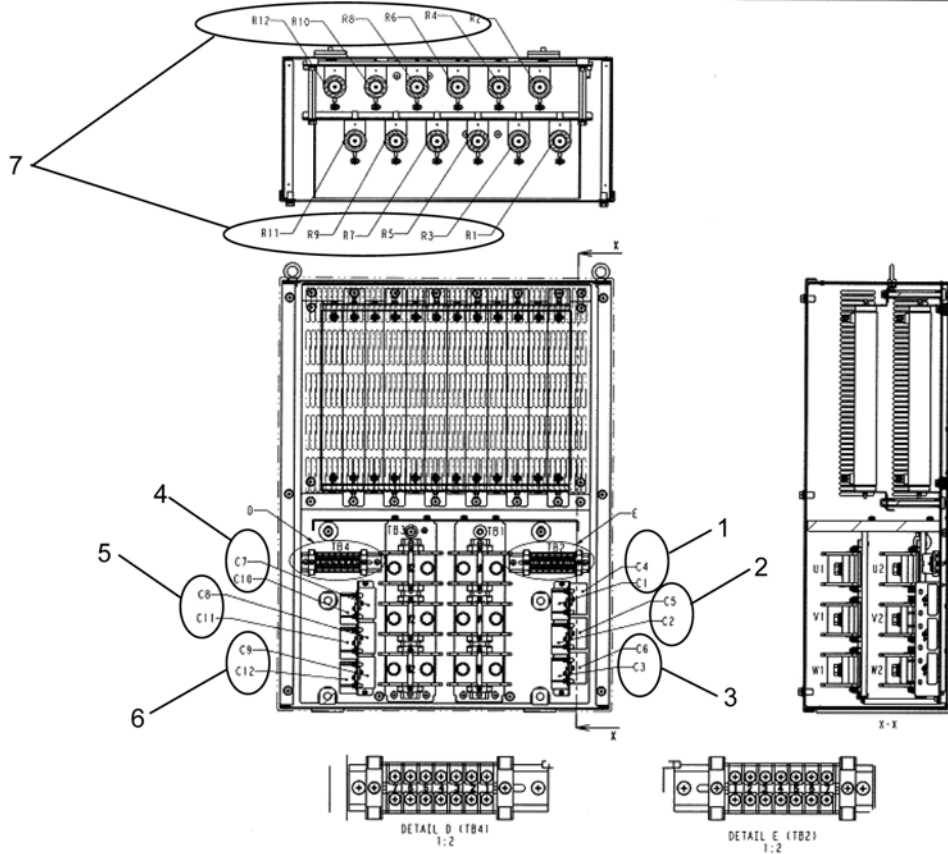
Motor Filter Box for Tandem Drive (J_A20224AA), RH

06-JAA20224AAG-NSAA



JAA - JGA20224AAG_				
AAG3 (RH)				
REF. No.	PART No.	DESCRIPTION	SYMBOL	QTY.
1	JAA174JRB17	Capacitor w/Lead Wire, (2) JAA226AKX2	C1, C4	1
2	JAA174JRB18	Capacitor w/Lead Wire, (2) JAA226AKX2	C2, C5	1
3	JAA174JRB19	Capacitor w/Lead Wire, (2) JAA226AKX2	C3, C6	1
4	JAA174JRB20	Capacitor w/Lead Wire, (2) JAA226AKX2	C7, C10	1
5	JAA174JRB21	Capacitor w/Lead Wire, (2) JAA226AKX2	C8, C11	1
6	JAA174JRB22	Capacitor w/Lead Wire, (2) JAA226AKX2	C9, C12	1
7	JAA232AGV1	Resistor	R1 - R12	12

Motor Filter Box for Tandem Drive (J_A20224AAG), LH

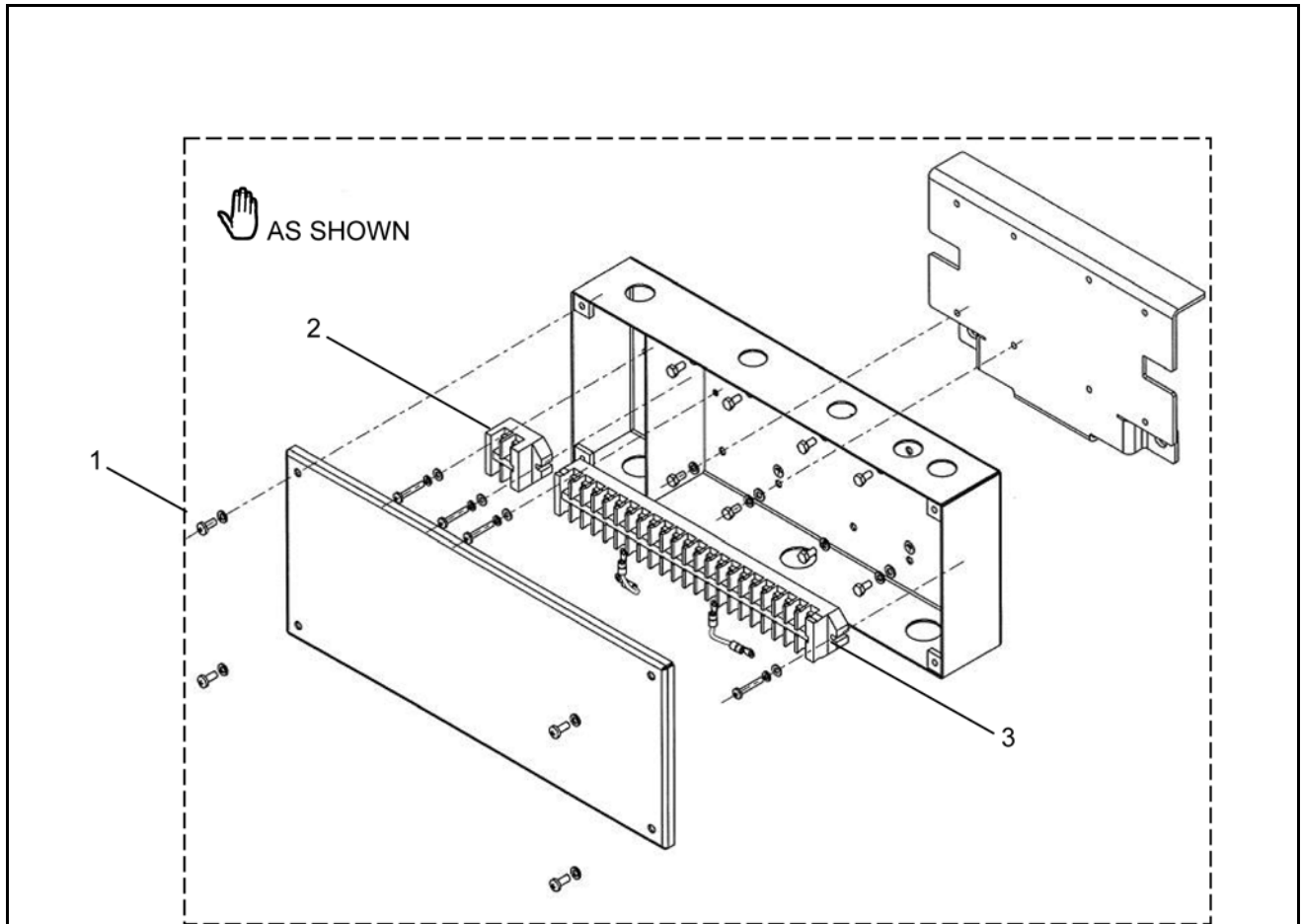


JAA ~ JGA20224AAG_
AAG4 (LH)

REF. No.	PART No.	DESCRIPTION	SYMBOL	QTY.
1	JAA174JRB17	Capacitor w/Lead Wire, (2) JAA226AKX2	C1, C4	1
2	JAA174JRB18	Capacitor w/Lead Wire, (2) JAA226AKX2	C2, C5	1
3	JAA174JRB19	Capacitor w/Lead Wire, (2) JAA226AKX2	C3, C6	1
4	JAA174JRB20	Capacitor w/Lead Wire, (2) JAA226AKX2	C7, C10	1
5	JAA174JRB21	Capacitor w/Lead Wire, (2) JAA226AKX2	C8, C11	1
6	JAA174JRB22	Capacitor w/Lead Wire, (2) JAA226AKX2	C9, C12	1
7	JAA232AGV1	Resistor	R1 – R12	12

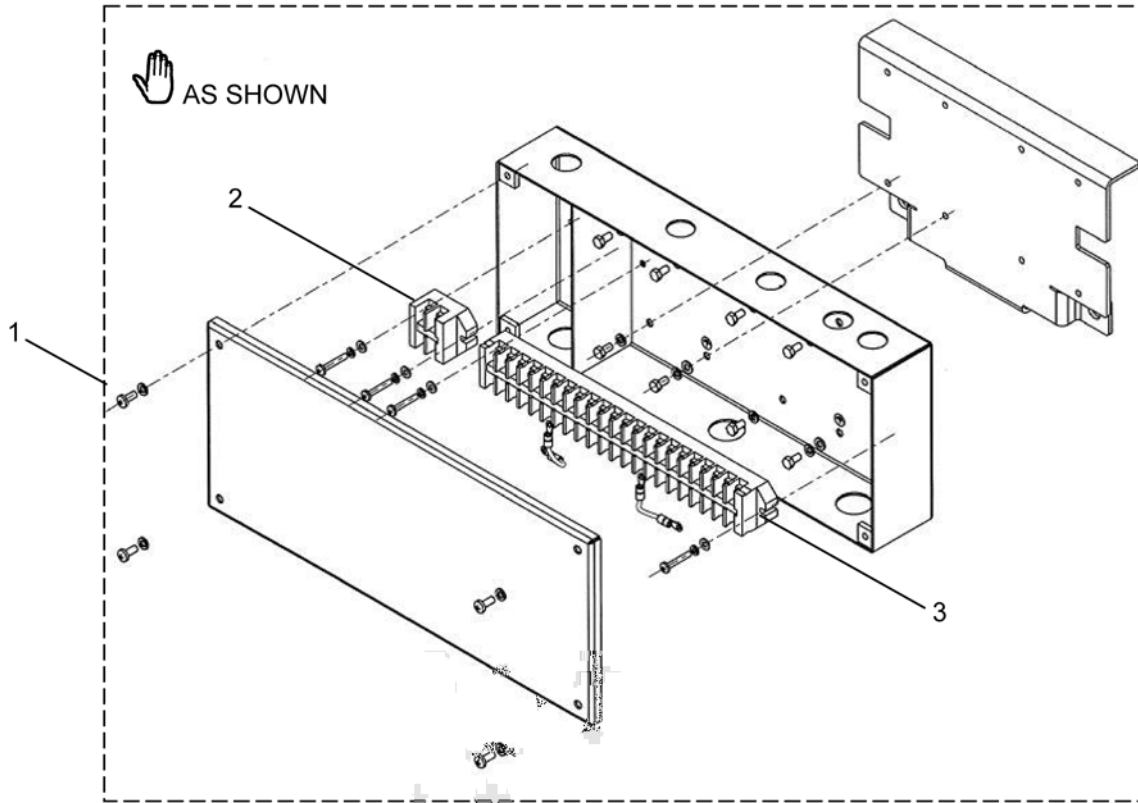
Junction Box for Brake, Blower, and Thermo Guard

06-JAA20224AAG-NSAA



JAA ~ JFA20224AAD_			
		AAD1	
		AAD2	
REF. No.	PART No.		DESCRIPTION
1	JAA309ADV1 JBA309ADV1	---	Box, Junction (for reference only)
	---	JAA309ADV2 JBA309ADV2	
2	JAA00303ADS001	---	Terminal Block (for reference only)
	---	JAA00303ADS004	
3	JAA00303ADS003	---	Terminal Block (for reference only)
	---	JAA00303ADS006	

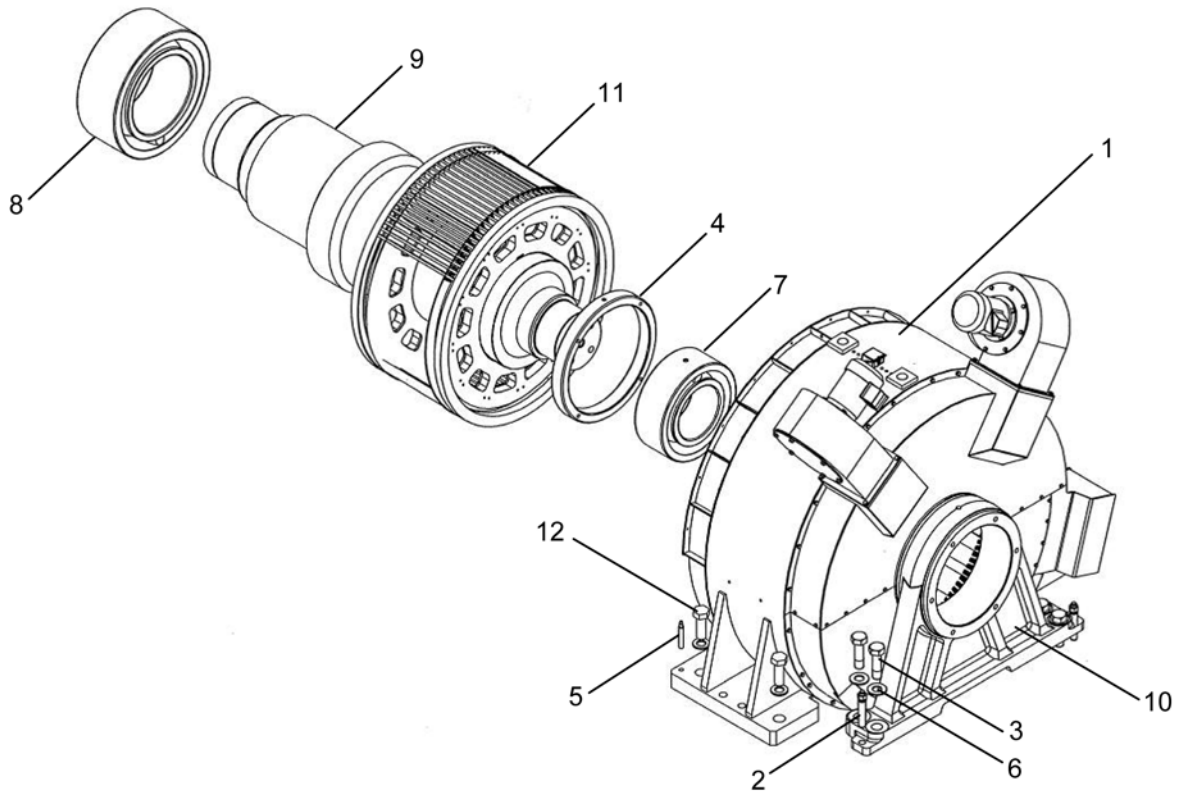
Junction Box for Brake, Blower, and Thermo Guard



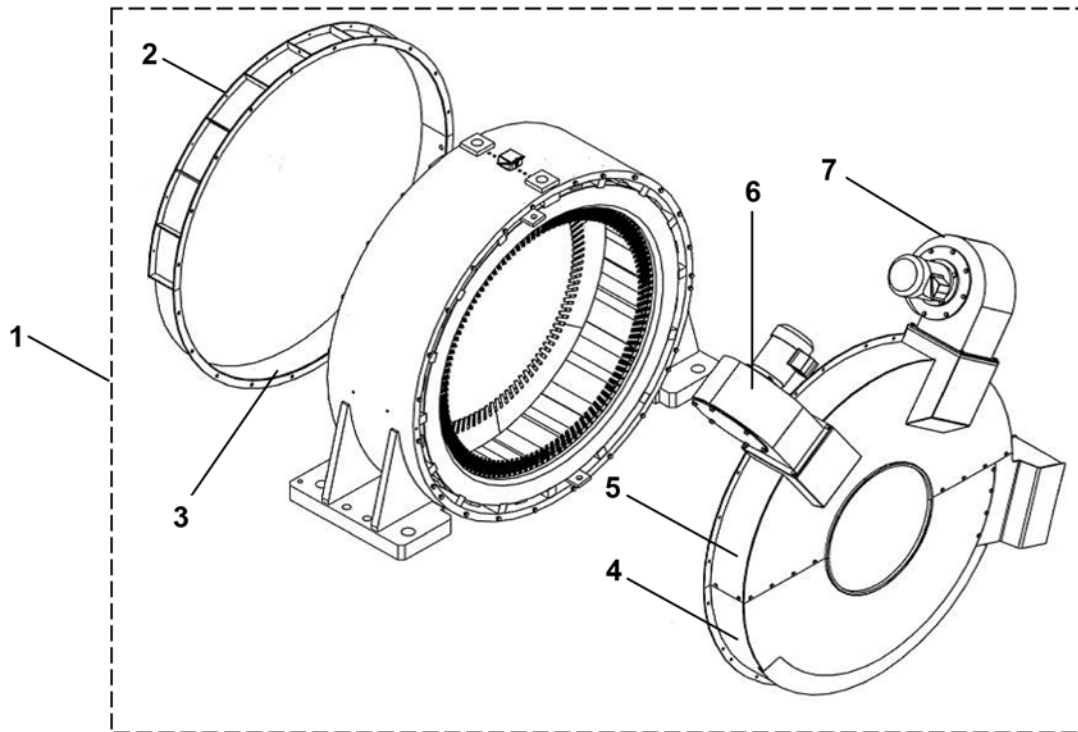
JAA ~ JGA20224AAG_						
		AAG1 (RH)	AAG2 (LH)	AAG3 (RH)	AAG4 (LH)	
REF. No.	PART No.				DESCRIPTION	
1	JAA309ADV1 JBA309ADV1	—	JAA309ADV1 JBA309ADV1	—	Box, Junction (for reference only)	
	—	JAA309ADV2 JBA309ADV2	—	JAA309ADV2 JBA309ADV2		
2	JAA00303ADS001	—	JAA00303ADS001	—	Terminal Block (for reference only)	
	—	JAA00303ADS004	—	JAA00303ADS004		
3	JAA00303ADS003	—	JAA00303ADS003	—	Terminal Block (for reference only)	
	—	JAA00303ADS006	—	JAA00303ADS006		

Rotor, Shaft, & Bearing

06-JAA20224AAG-NSAA



	JAA ~ JFA20224AAD_	JAA ~ JGA20224AAG_	
REF. No.	PART No.		DESCRIPTION
1	---		Stator Assembly, See pp. 22 and 23 for Details
2	JAA65AGL1		Bolt (for reference only)
3	JAA65AGM2		Bolt (for reference only)
4	JAA72ACG1		Nut
5	JAA00080AAA004		Pin, Taper (for reference only)
6	JAA131ADF2		Washer (for reference only)
7	JAA209ABP1		Bearing, Roller
8	JAA209ABR1		Bearing Roller
9	JAA461AAG1		Shaft, Rotor (for reference only)
10	JAA00472AAE002	---	Stand, Bearing (not used in NSAA)
	---	JAA00472AAE002 JAA00472AAE004	Stand, Bearing (for reference only)
11	JAA20224AAE1		Rotor Assembly (for reference only)
12	BFM42X120-C & RWS42-C		Bolt and RD Washer (for reference only)

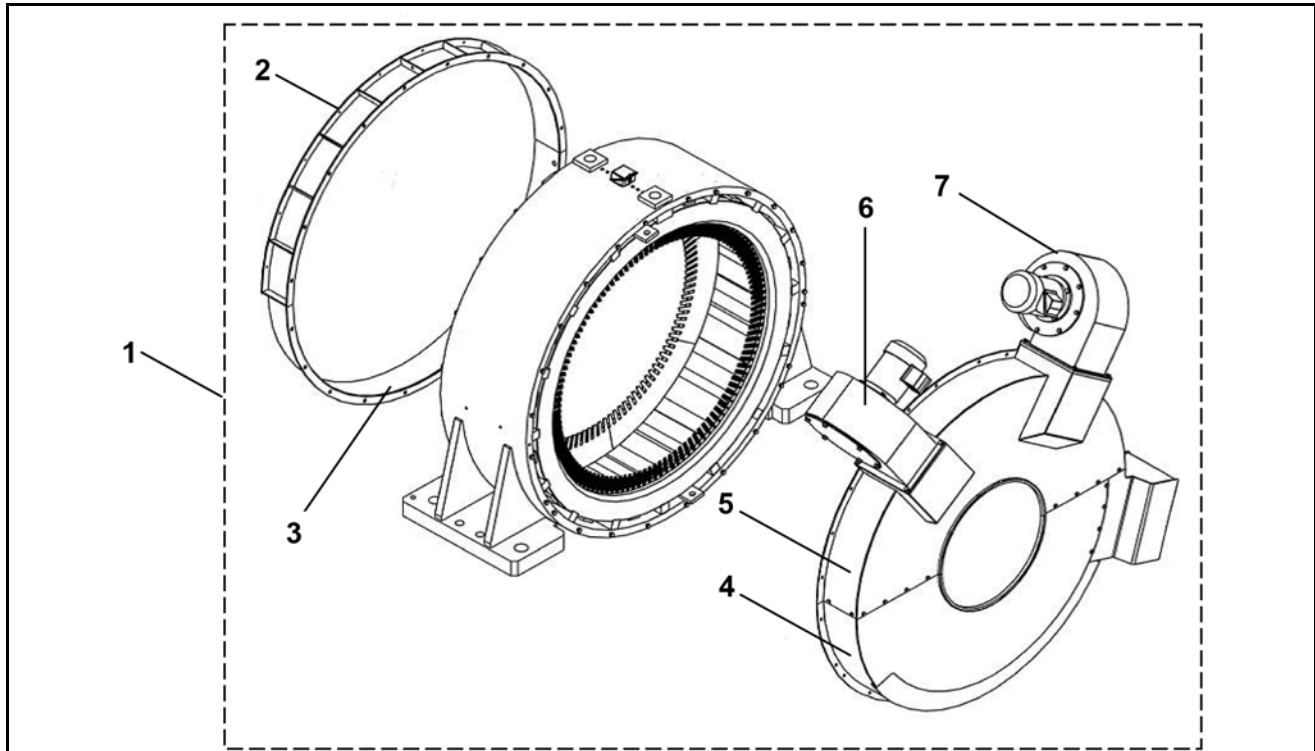


(Low Voltage) JAA - JFA20224AAD_	
AAD1	AAD2

REF. No.	PART No.		DESCRIPTION
1	JAA20224AAF1 JBA20224AAF1	---	Stator Assembly (not used in NSAA)
	---	JAA20224AAF2 JBA20224AAF2	
2	JAA346BCZ1		Cover (for reference only)
3	JAA346BDA1		Cover (for reference only)
4	JAA374BHT1	---	Frame (for reference only)
	---	JAA374BHT2	
5	JAA471AJX1		Stand (for reference only)
6	JAA24721ABF1 JAA24721ABH1		Sirocco Fan w/ 480 V, 60 Hz Motor, See p. 24
7	JAA24721ABF2 JAA24721ABH2		Sirocco Fan w/ 480 V, 60 Hz Motor, See p. 24

Stator

06-JAA20224AAG-NSAA

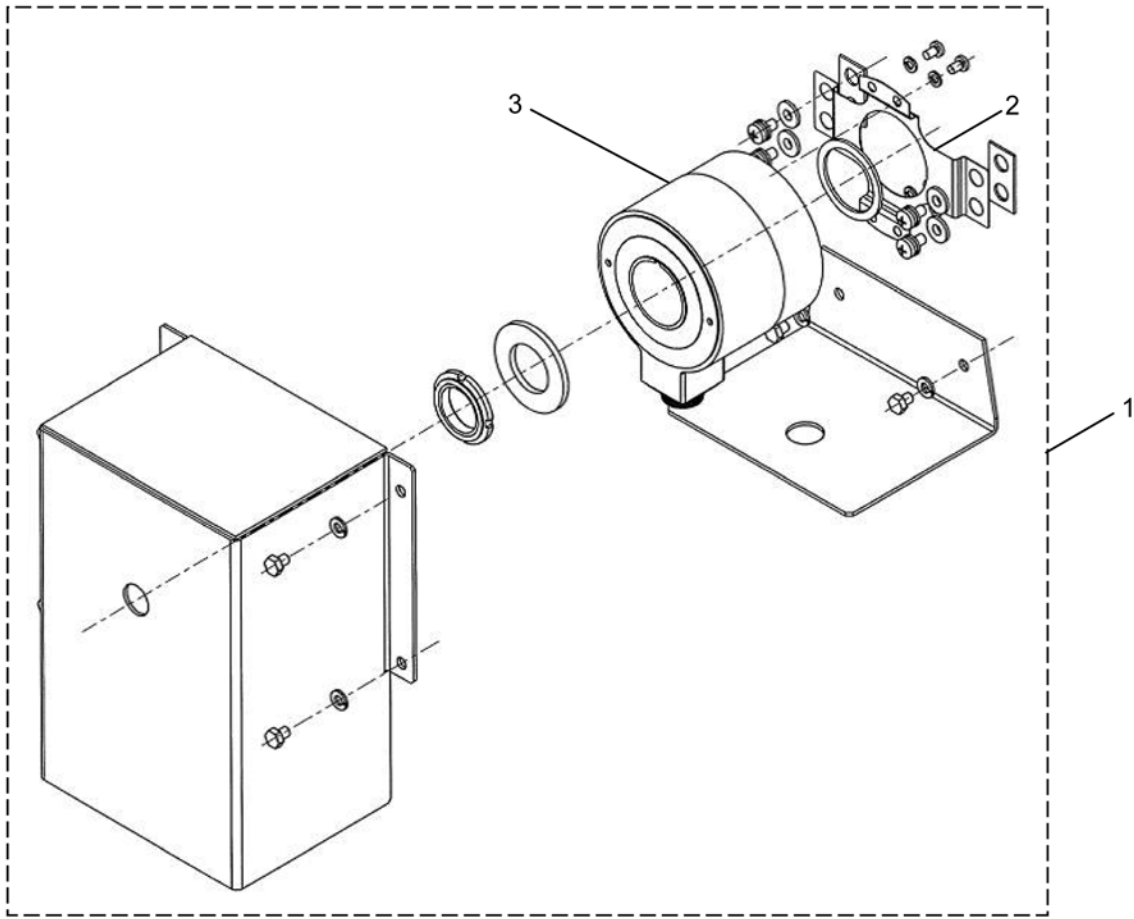


(High Voltage) JAA ~ JGA20224AAG_					
		AAG1 (RH)	AAG2 (LH)	AAG3 (RH)	AAG4 (LH)
REF. No.	PART No.				DESCRIPTION
1	JAA20224AAH1 JBA20224AAH1 JCA20224AAH1	—	—	—	Stator Assembly (for reference only)
	—	JAA20224AAH2 JBA20224AAH2 JCA20224AAH2	—	—	
	—	—	JCA20224AAH3	—	
	—	—	—	JCA20224AAH4	
2	JAA346BCZ1				Cover (for reference only)
3	JAA346BDA1				
4	JAA374BHT1	—	JAA374BHT1	—	Frame (for reference only)
	—	JAA374BHT2	—	JAA374BHT2	
5	JAA471AJX1				Stand
6	JAA24721ABF4 JAA24721ABH4				Sirocco Fan w/ 480 V, 60 Hz Motor, See p. 24
7	JAA24721ABF2 JAA24721ABH2				

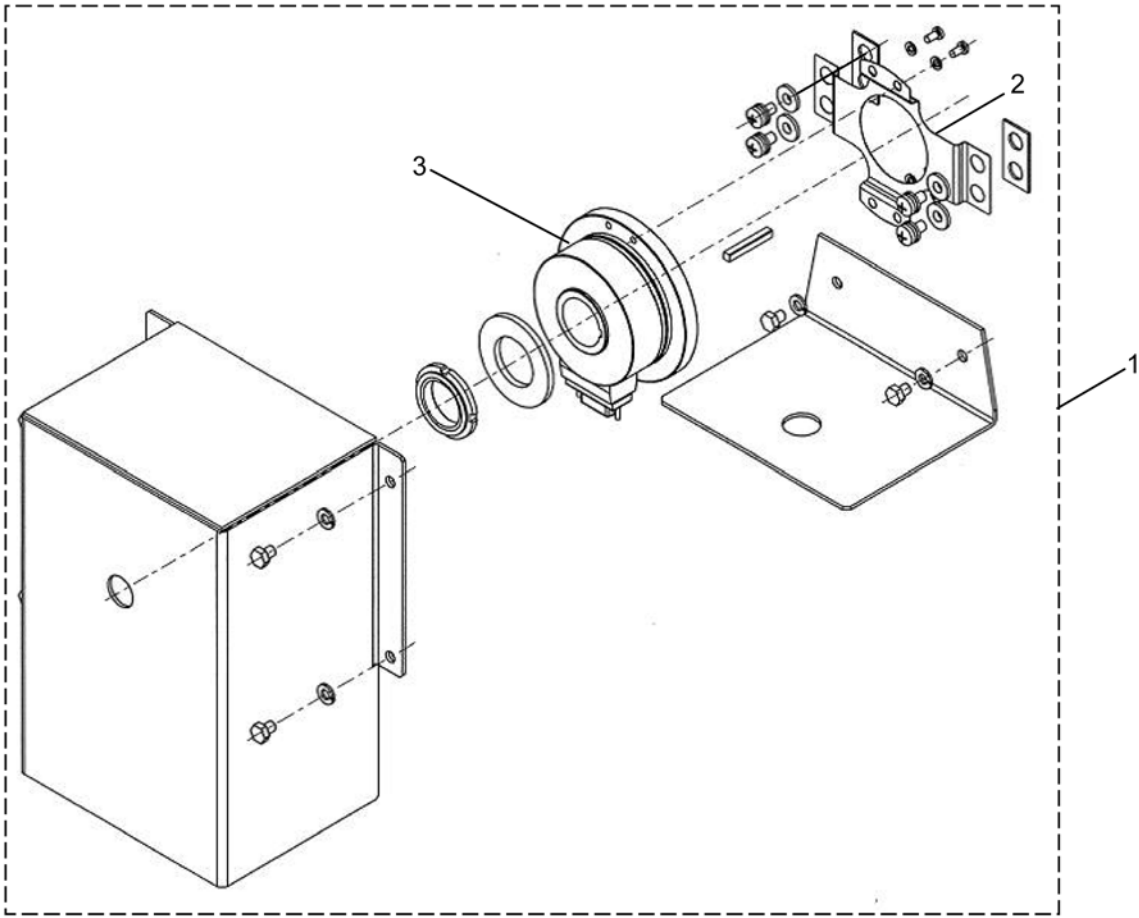
Stator

		JAA ~ JFA20224AAD_ JAA ~ JGA20224AAG_		DESCRIPTION	
REF. No.	PART No.	VOLTAGE	FREQUENCY		
6	JAA24721ABH101	380 V	50 HZ (not used in NSAA)	Sirocco Fan w/Motor See NOTE	
	JAA24721ABH103	400 V			
	JAA24721ABH105	440 V			
	JAA24721ABH107	460 V			
	JAA24721ABH109	480 V			
	JAA24721ABH111	380 V	60 Hz		
	JAA24721ABH113	400 V			
	JAA24721ABH115	440 V			
	JAA24721ABH117	460 V			
	JAA24721ABH119	480 V			
7	JAA24721ABH102	380 V	50 Hz (not used in NSAA)	Sirocco Fan w/Motor See NOTE	
	JAA24721ABH104	400 V			
	JAA24721ABH106	440 V			
	JAA24721ABH108	460 V			
	JAA24721ABH110	480 V			
	JAA24721ABH112	380 V	60 Hz		
	JAA24721ABH114	400 V			
	JAA24721ABH116	440 V			
	JAA24721ABH118	460 V			
	JAA24721ABH120	480 V			

NOTE: Part number is different by voltage and HZ of blower motor. So check voltage and Hz before order.

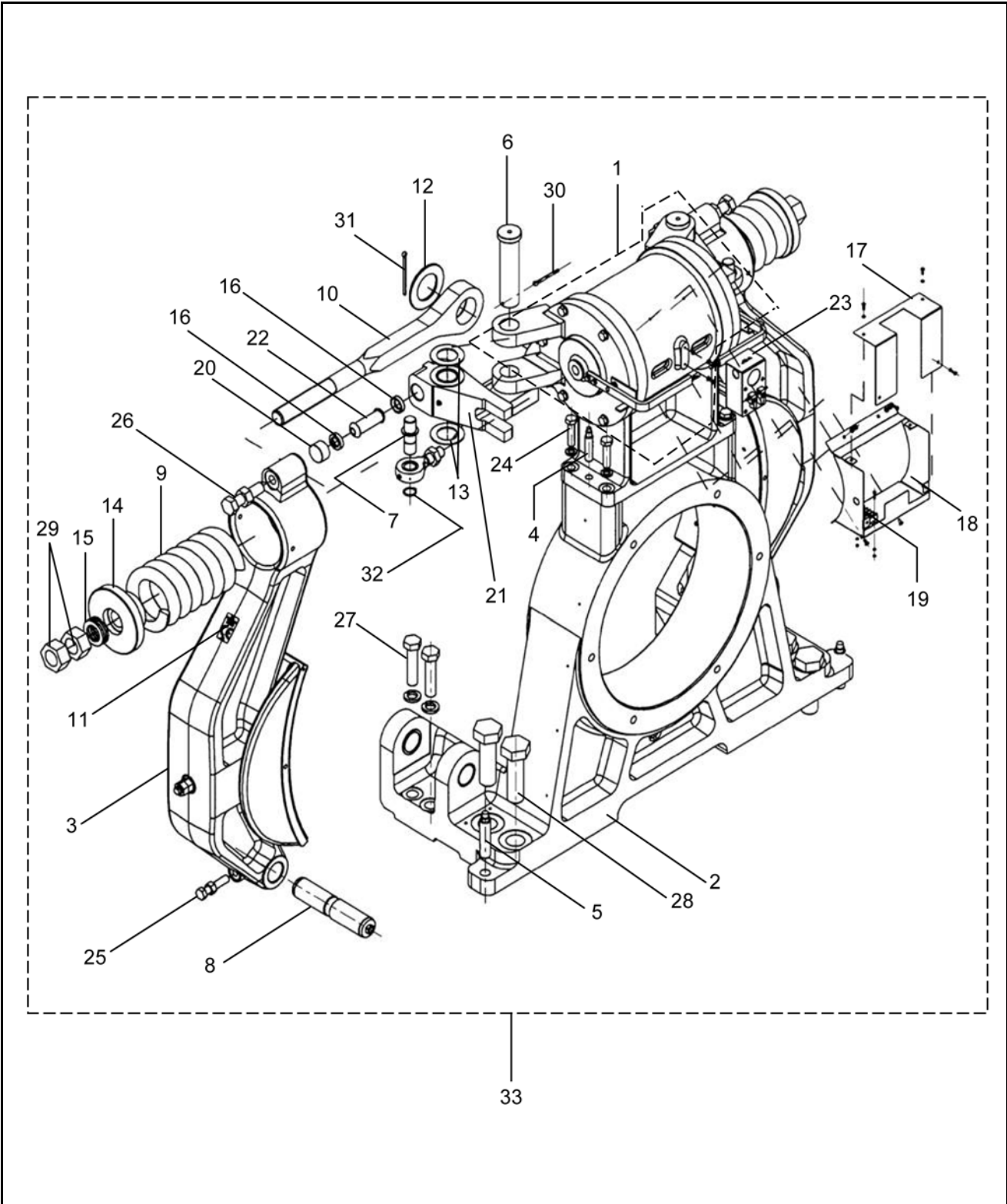


JAA ~ JFA20224AAD_		
REF. No.	PART No.	DESCRIPTION
1	JAA21410AAV001	PVT Assembly (not used in NSAA)
2	JAA00316DBF001	Bracket (for reference only)
3	JAA21410AAT001	Speed Encoder (not used in NSAA)



JAA - JGA20224AAG_		
REF. No.	PART No.	DESCRIPTION
1	JAA21410ABL1	PVT, Assembly, w/ Encoder by Danaher (for reference only)
	JAA21410ABL2	PVT, Assembly, w/ Encoder by Nemicon (for reference only)
	JAA21410ABL3	PVT, Assembly, w/o Encoder (for reference only)
2	JAA00316DBF001	Bracket
3	AAA633W1	Speed Encoder (Danaher)
	JBA633ABK1	Speed Encoder (Nemicon)

Brake Assembly



Brake Assembly

06-JAA20224AAG-NSAA

JAA ~ JFA20224AAD_
JAA ~ JGA20224AAG_

REF. No.	PART No.	DESCRIPTION
1	---	See p. 29 for Details
2	---	Stand Bearing, See p. 32 for Details
3	---	Lever, Brake, See p. 33 for Details
4	JAA00080AAA003	Pin, Taper (for reference only)
5	JAA00080AAA006	Pin, Taper (for reference only)
6	JAA00081AJZ001	Pin
7	JAA00081AKB001	Pin
8	JAA00081AKA004 JBA00081AKA001	Pin
9	JAA00090ACS001	Spring, Compression
10	JAA00098ADR001	Rod
11	JAA102BBH1	Plate, Data (for reference only)
12	JAA00127AAX001	Washer, Flat Ferrous
13	JAA00128AAB001	Washer, Flat Non-Ferrous
14	JAA00133AAJ001	Washer, Spring Seat
15	JAA00209AAK001	Bearing, Roller
16	JAA00209AAL001	Bearing, Roller
17	JAA285APA4 JAA285BLJ4 JAA285BZL1	Cover, Formed (for reference only)
18	JAA285APB2 JAA285BLK4 JAA285BZM1	Cover, Formed (for reference only)
19	JAA00303ADS002	Terminal, Block (for reference only)
20	JAA00329AAY001	Cap
21	JAA00430AAK002	Link
22	JAA00494ABH004 JAA00494ABH002	Shaft
23	JAA26912AAA004 JBA26912AAA001	Mechanical Switch Assembly

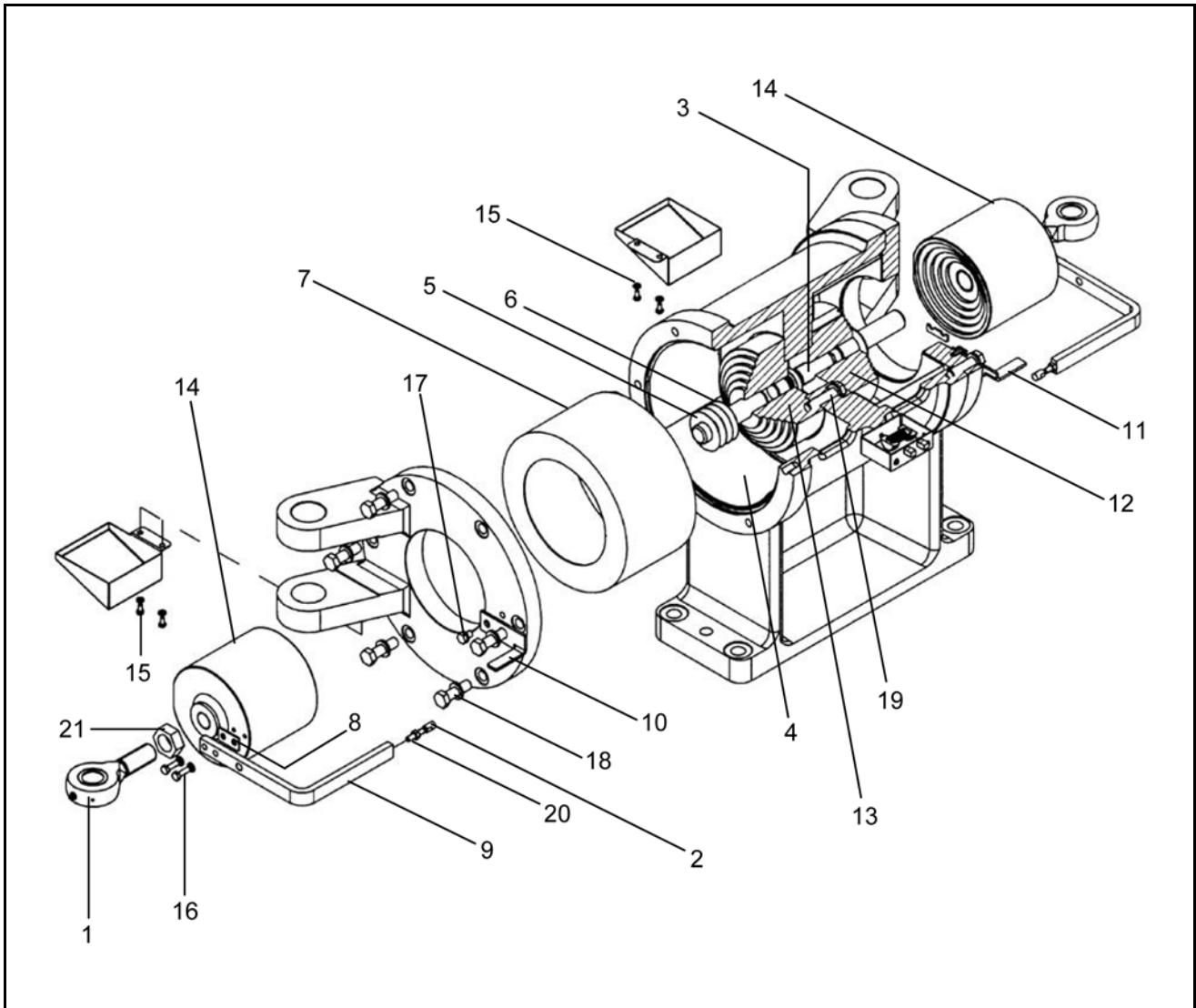
JAA ~ JFA20224AAD_
 JAA ~ JGA20224AAG_

REF. No.	PART No.	DESCRIPTION
24	BFM20X080-C & LWS20-C	Bolt and Spring Washer (for reference only)
25	SHM20X100-C & NSM20-C	Bolt and Nut (for reference only)
26	SHM30X120-C & NSM30-C	Bolt and Nut (for reference only)
27	BFM30X130-C & LWS30-C	Bolt and Spring Washer (for reference only)
28	BFM48X180-C	Bolt (for reference only)
29	NSM48-C	Nut (for reference only)
30	PC8X80	Cotter Pin (for reference only)
31	PC8X125	Cotter Pin (for reference only)
32	RTC035S	C-Ring (for reference only)
33	JAA20237AAF2 JBA20237AAF2 JCA20237AAF2 JDA20237AAF2	Brake Assembly (for reference only)

Brake Assembly

Brake Coils and Cores

06-JAA20224AAG-NSAA

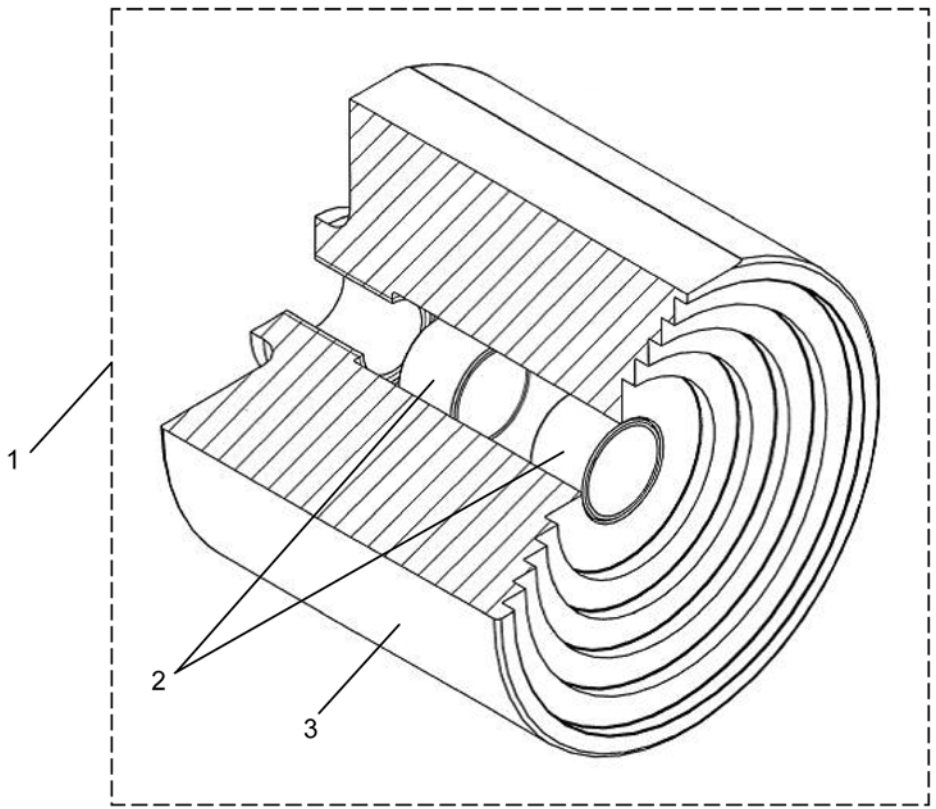


JAA ~ JFA20224AAD_
 JAA ~ JGA20224AAG_

REF. No.	PART No.	DESCRIPTION
1	JAA00065ADX002	Bolt
2	JAA00081ANB001	Pin
3	JAA00098ADV001	Rod
4	JAA129ABC1	Insulator
5	JAA00131ACE003	Washer
6	JAA00131ACE004	Washer

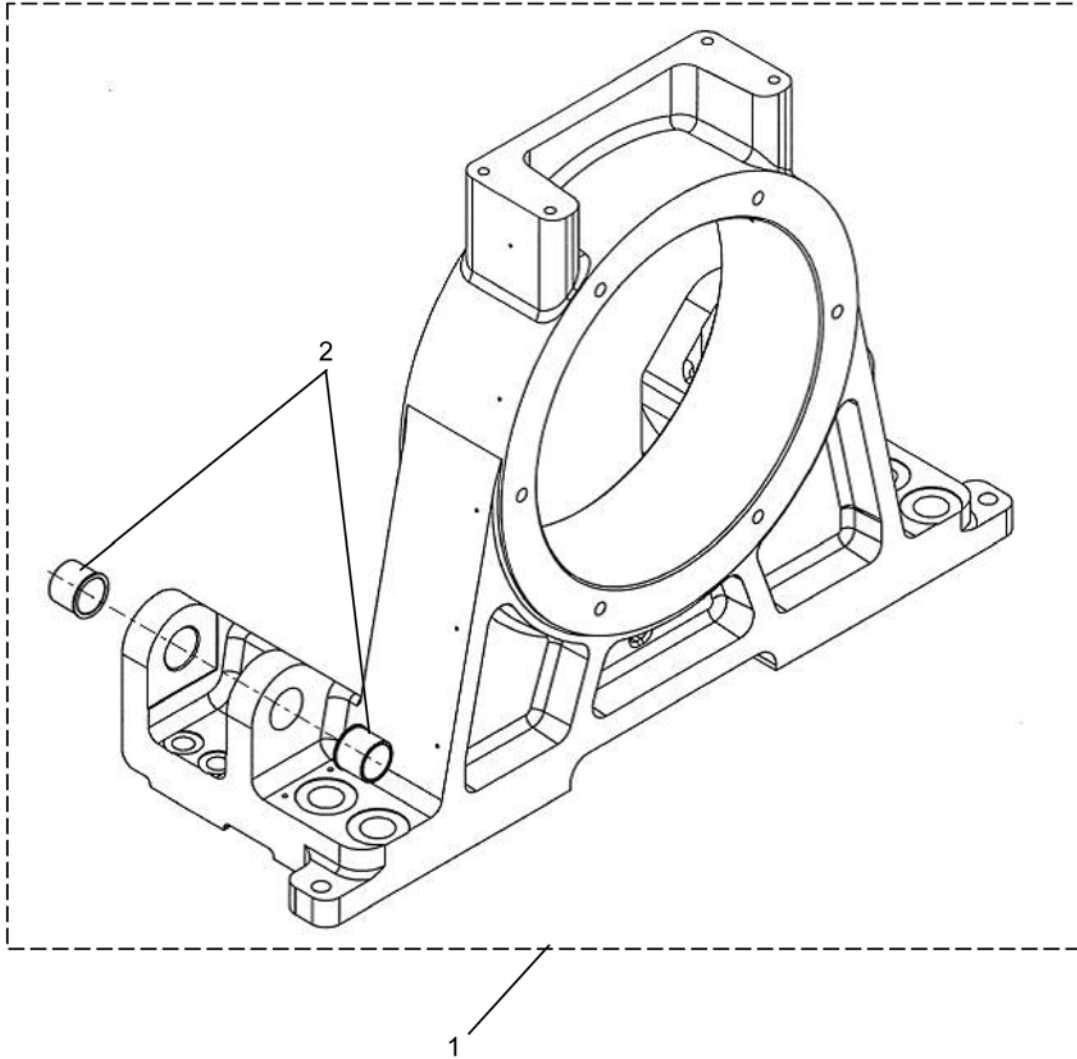
JAA ~ JFA20224AAD_
JAA ~ JGA20224AAG_

REF. No.	PART No.	DESCRIPTION
7	JAA00234ABK001	Coil
8	JAA255AYM1	Shim
9	JAA00316DNT001	Bracket
10	JAA316VTK1	Bracket
11	JAA316VTK2	Bracket
12	JAA00400AAK003	Core
13	JAA00400AAK004	Core
14	---	Core, See p. 31 for Details
15	BFM08X012-LW	Bolt (for reference only)
16	BFM08X025-FULL & LWS08	Bolt & Spring Washer (for reference only)
17	BFM10X016-LW	Bolt (for reference only)
18	BFM16X055 & LWS16	Bolt & Spring Washer (for reference only)
19	BFM16X065 & LWS16	Bolt & Spring Washer (for reference only)
20	NSM08	Nut (for reference only)
21	JSM30-H-C	M30 Hex Jam Nut (for reference only)



JAA ~ JFA20224AAD_
 JAA ~ JGA20224AAG_

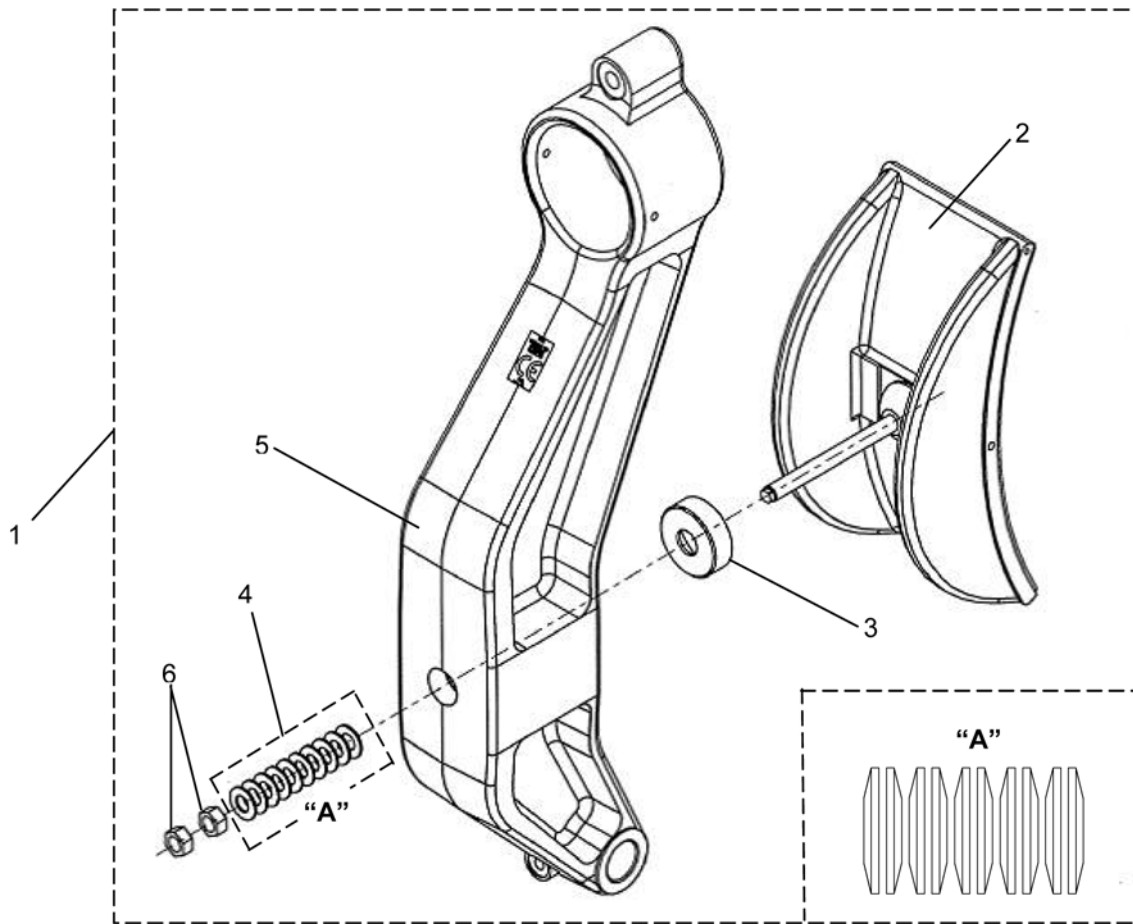
REF. No.	PART No.	DESCRIPTION
1	JAA00400AAL002	Core Assembly
2	JX212T6	Bearing
3	JAA00400AAL001	Core



REF. No.	PART No.	DESCRIPTION
	JAA ~ JFA20224AAD_ JAA ~ JGA20224AAG_	
1	JAA00472AAD004	Stand, Bearing (for reference only)
2	JAA00335AAD003	Bearing, Plain

Brake Arm

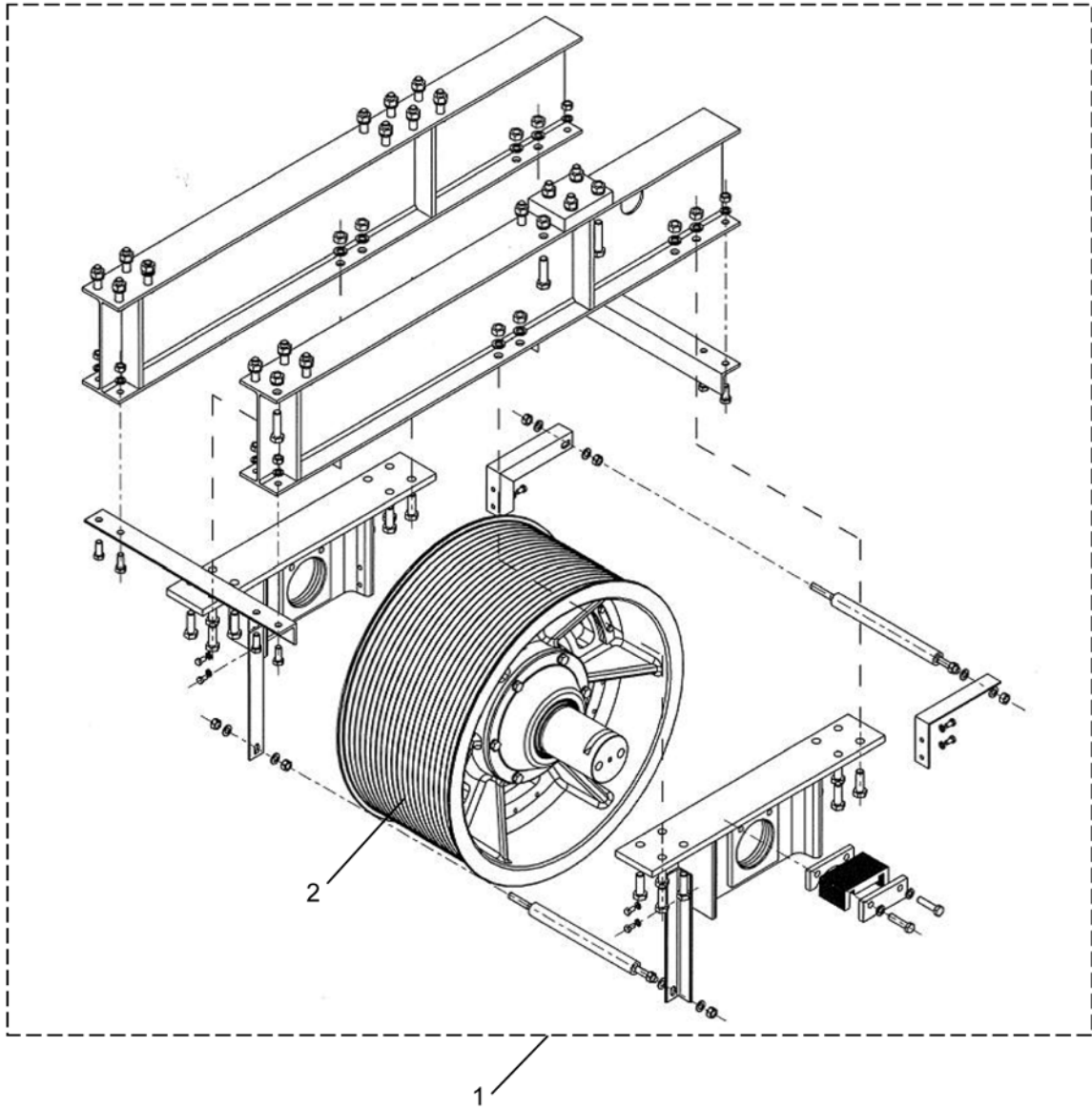
06-JAA20224AAG-NSAA



JAA ~ JFA20224AAD_
JAA ~ JGA20224AAG_

REF. No.	PART No.	DESCRIPTION
1	JAA00286AAL001	Lever, Brake (for reference only)
2	JAA00415AAB002	Shoe, Brake
3	JAA00131ACD001	Washer
4	JAA00131ACF001	Washer (10PCE), See "A"
5	JAA00286AAK001	Lever, Brake (for reference only)
6	NSM24	Nut (for reference only)

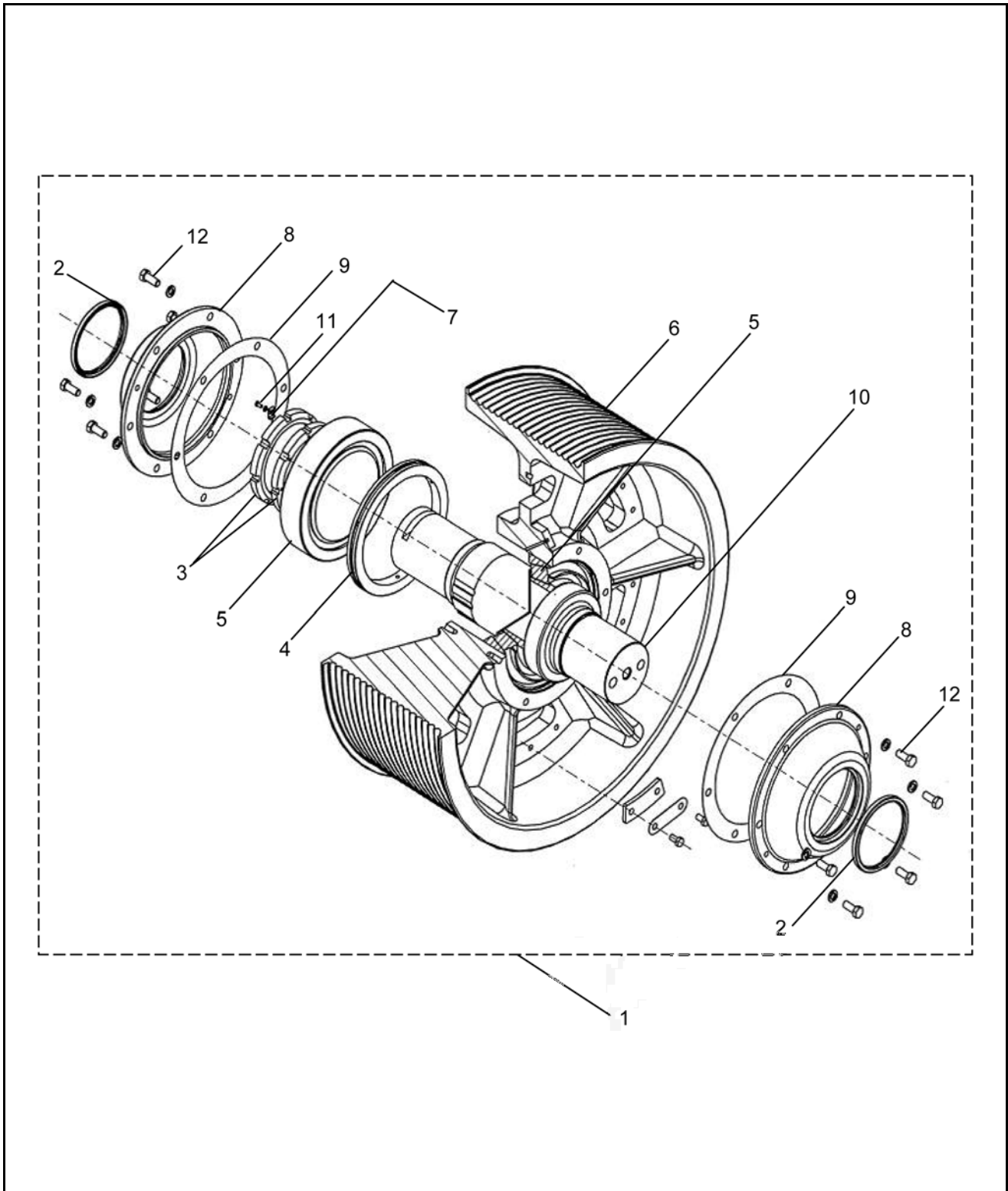
NOTE: All gearless machines must use brake arms or shoes that are lined with Green Gripper lining supplied factory-bonded by OSC to our offices.



REF. No.	PART No.	DESCRIPTION
	JAA ~ JFA20224AAD_ JAA ~ JGA20224AAG_	
1	JAA20830AAN1 JBA20830AAN1 JCA20830AAN1	Installation, Secondary Sheave (for reference only)
2	---	Secondary Sheave Shat Assembly; See pp. 35–36 for Details

Secondary Sheave Assembly

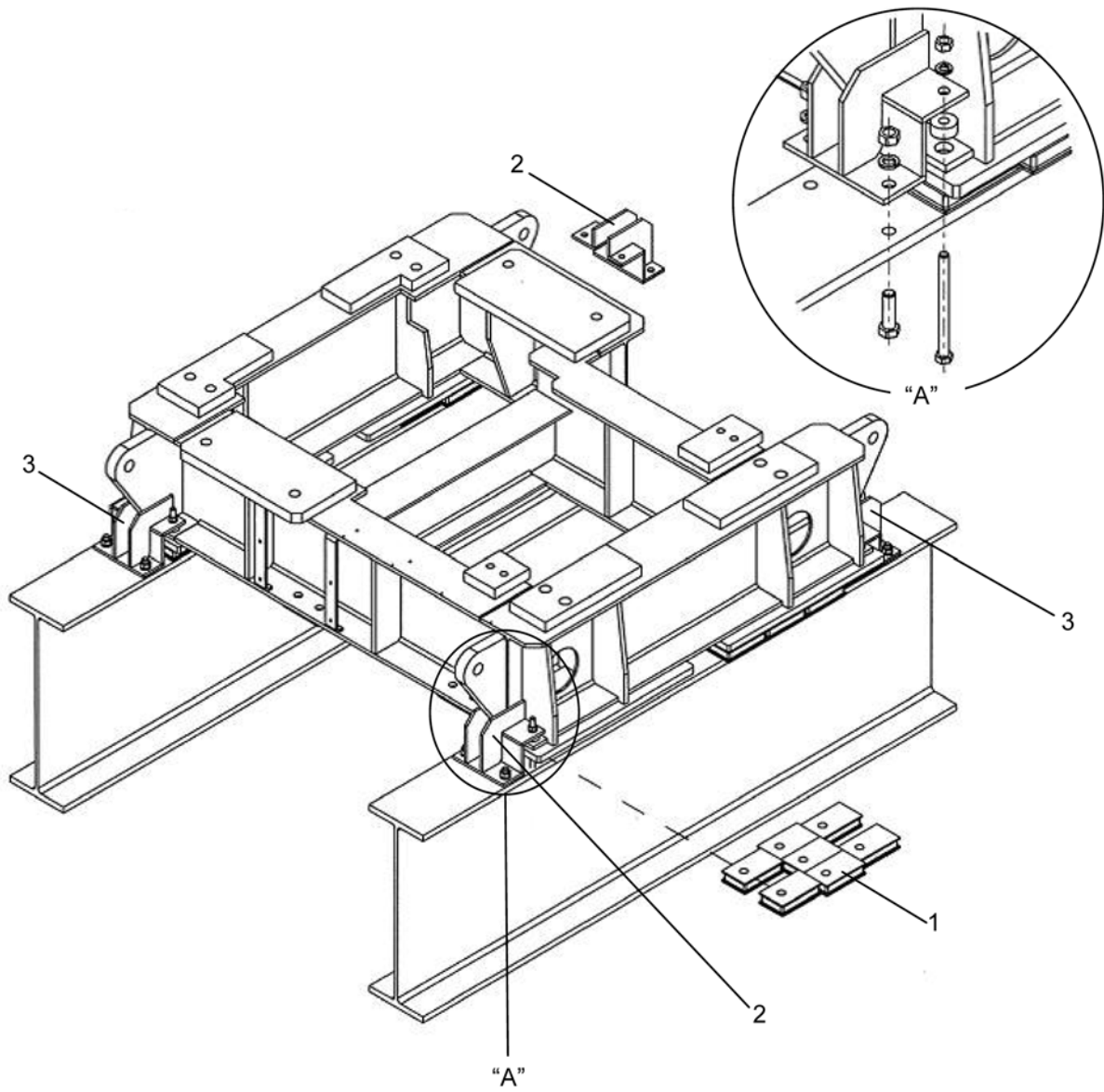
06-JAA20224AAG-NSAA



Secondary Sheave Assembly

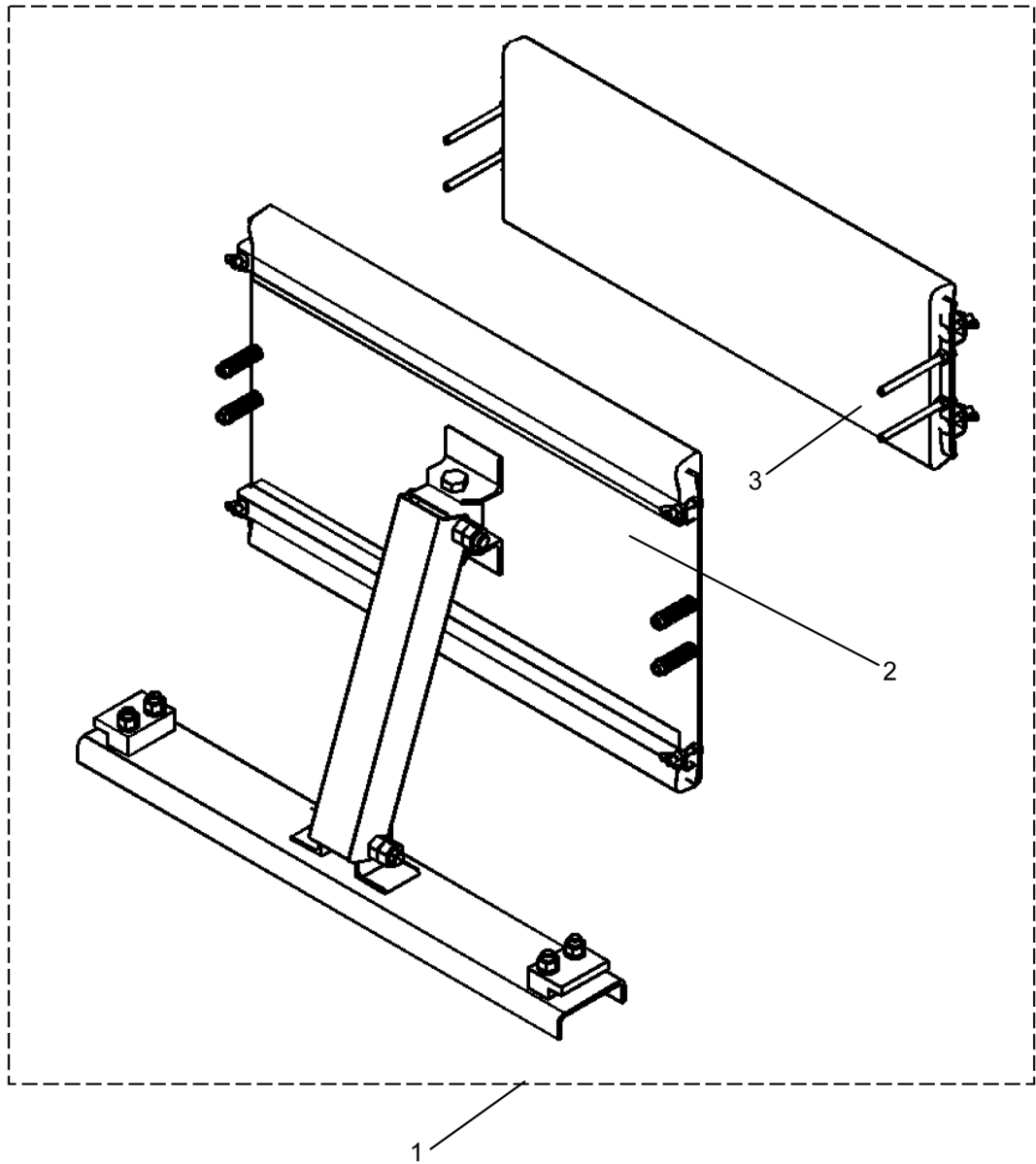
JAA ~ JFA20224AAD_ JAA ~ JGA20224AAG_				
REF. No.	PART No.	DESCRIPTION	NO. OF GROOVES	ROPE SIZE (mm)
1	JAA20830AAP1	Secondary Sheave Assembly	---	---
2	JAA33ABB1	Seal	---	---
3	JAA72ACK1	Nut	---	---
4	JAA172ABC1	Ring	---	---
5	JAA209ABS1	Bearing, Roller	---	---
6	JAA262AAB1	Sheave	20 (See NOTE)	25 (See NOTE)
	JAA262AAB3		22 (See NOTE)	22.4 (See NOTE)
7	JAA00339AFB001	Clip	---	---
8	JAA346BDJ1	Cover	---	---
9	JAA376ABA1	Gasket	---	---
10	JAA495ACV1	Shat, Sheave	---	---
11	BFM08X016 BFM08X016-LW	Bolt (for reference only)	---	---
12	BFM24X060-C & LWS24-C	Bolt & Spring Washer (for reference only)	---	---

NOTE: Check rope size and number of groves before ordering. If your sheave is not standard, contact the service center.



REF. No.	PART No.	DESCRIPTION
1	JAA ~ JFA20224AAD_ JAA ~ JGA20224AAG_ JAA310ASE1+2+3 JAA310ASE4 JAA310BDM1	Block (220 X 130) (for reference only)
2	JAA316RJJ1	Bracket (for reference only)
3	JAA316RJJ2	Bracket (for reference only)

Carpet Wiper



JAA ~ JFA20224AAD_
 JAA ~ JGA20224AAG_

REF. No.	PART No.	DESCRIPTION
1	JAA20141ABV1	Carpet Wiper
2	JAA297AAP10	Band (600X640)
3	JAA297AAP11	Band (400X640)