

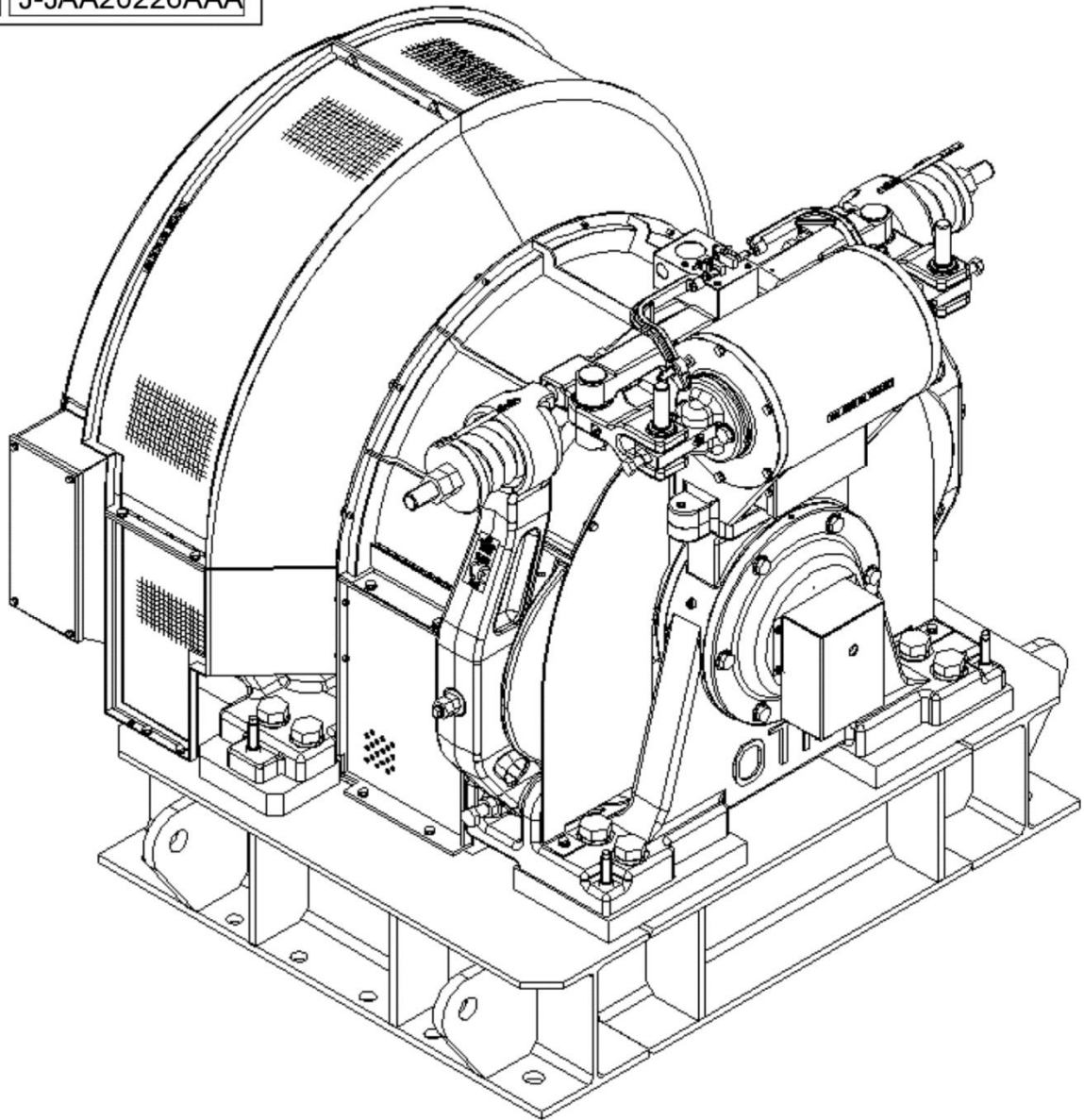
30T Machine

Spare Parts Leaflet

06-JAA20226AAA

June 7, 2023 / Page 1 of 11

06 J-JAA20226AAA



OTIS

SERVICE ENGINEERING

Otis Elevator Company

Shibayama Factory, Japan

Unpublished Work—© Otis Elevator Co.; 2023

Leaflet Description

This leaflet provides information for 30T Machine.

Leaflet Revisions

Date Revised	Subject Matter Expert	Reason for Revision
December 1, 2000	Hirayama, Hiroyuki	New SPL
August 1, 2001	Hirayama, Hiroyuki	Update parts and artwork
April 1, 2005	Yamaoka, Takayuki	Update parts & art work (pages 4–6)
March 3, 2011	Yamaoka, Takayuki	Update parts (p. 6: Encoder)
August 1, 2014	Yamaoka, Takayuki	Update parts and artwork
January 23, 2019	Yamaoka, Takayuki	Added replacement p/n JAA33AAW4 on p. 3 and p/n JAA00316DBF001 on p. 6
July 15, 2020	Gary Mendrala	Added brake items on p. 4; Added shaft, ring, cover to secondary sheave assembly on p. 7
June 7, 2023	Gary Mendrala	Added washer and fitting on p. 7

Related Drawings

Drawing No.	Drawing No.	Drawing No.	Drawing No.
JJA20226AAA	JBA21410ABF	JDA20226AAF	JCA20237AAG
JBA20830AAJ	JAA20830ACR	JBA20237AAK	

Related Documents

Document ID	Title

Subject Matter Expert

Name	Department
Gary Mendrala	OSC Service Engineering

About Spare Parts Leaflets...

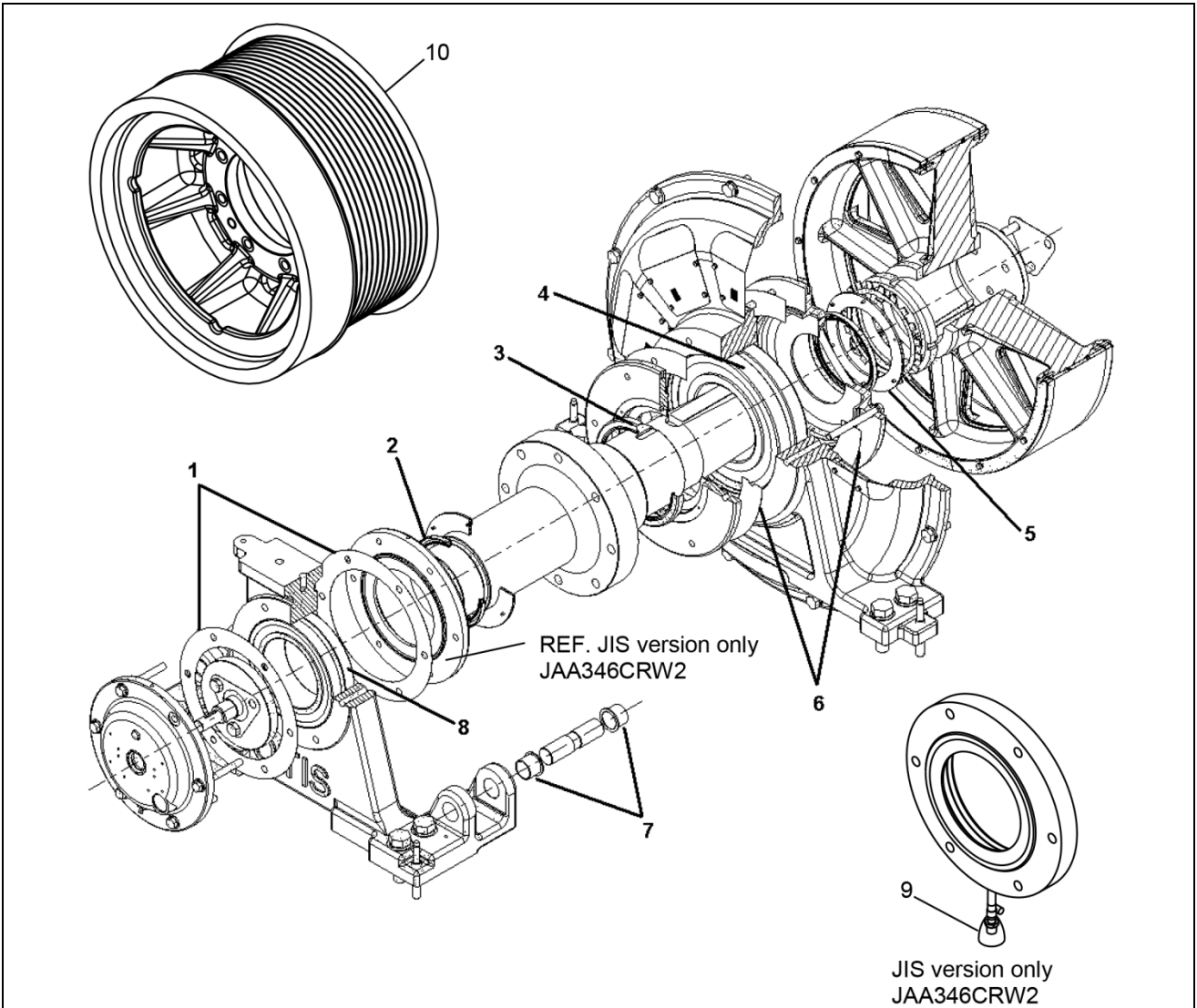
This document lists the lowest replaceable units (LRUs) for the standard version of the product. The LRUs are chosen by a team of Otis associates representing engineering and manufacturing.

While goal of this document is to make parts identification as easy as possible, the document cannot be all-inclusive. Elevator and escalator contracts classified as “special” or “custom” are not addressed here. For such contracts, please refer to specified information, the contract folder, TIPS, Field Education Articles, Construction Letters, etc. for further information.

If you have any suggestions about this document, please contact the subject matter expert listed on this page.

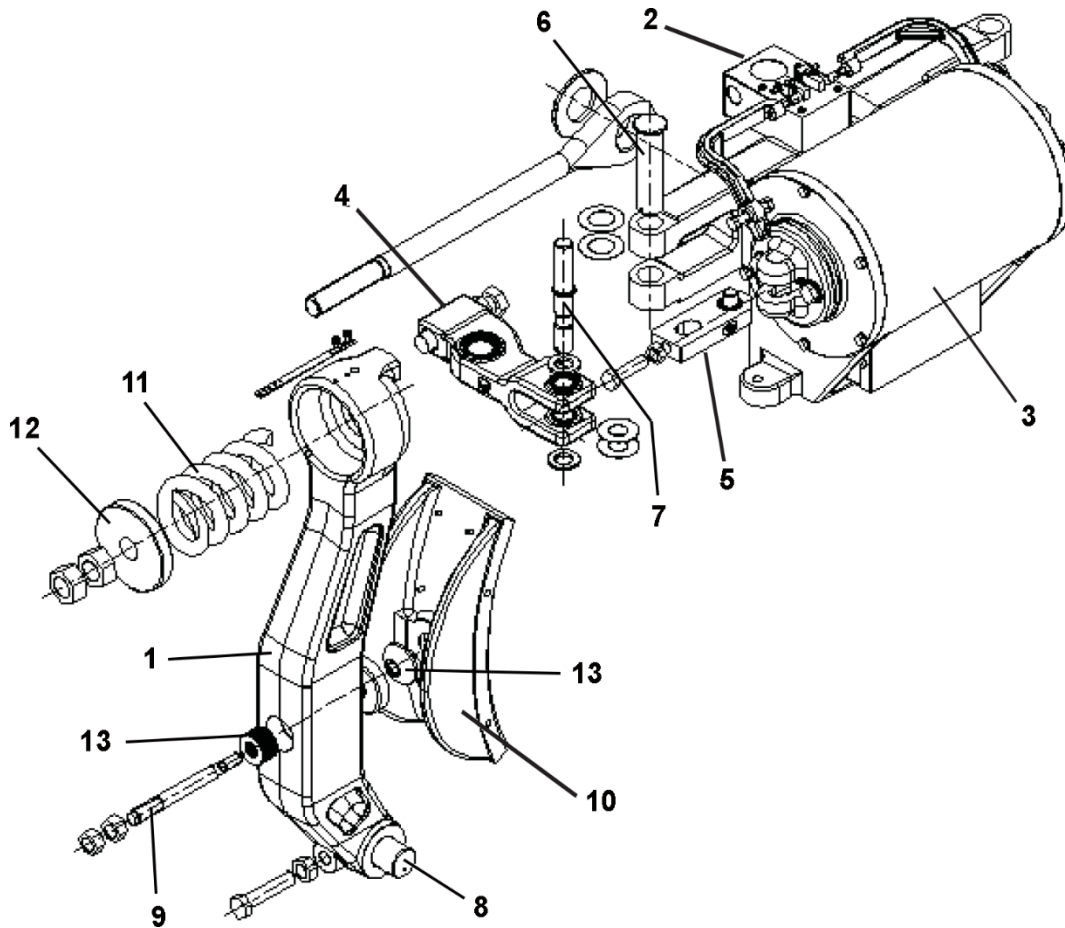
Rotor Assembly & Driving Sheave

06-JAA20226AAA



REF. NO.	W/O VINTAGE PART or ML	DESCRIPTION
1	JAA376AAS2	Gasket
2	JAA33AAW2	Seal
	JAA33AAW2 JAA33AAW4	Seal, JIS version only
3	JAA33AAW3	Seal
4	JAA209ABG1	Bearing, Roller
5	JAA33AAW1	Seal
6	JAA376AAS1	Gasket
7	JAA335AAG1	Bearing, Plain
8	JAA209ABF1	Bearing, Roller
9	JAA437ADC1	Pan (JIS version only)
10	JDA261AAG1	Sheave, Driving (for 14 grooves; diameter 16 rope)
	JDA261AAG2	Sheave, Driving (for 12 grooves; diameter 18 rope)

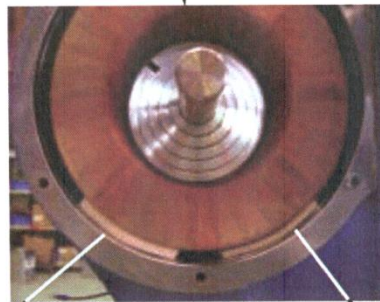
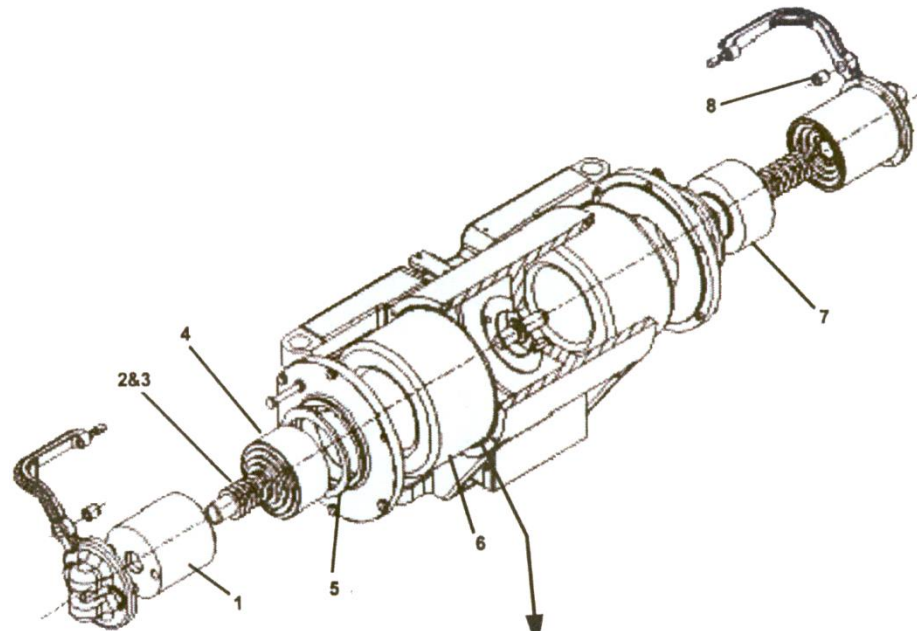
Brake Assembly



JBA20237AAG1
JCA20237AAG

JBA20237AAK

REF. NO.	PART or ML	DESCRIPTION
1	JAA286AAX1	Arm, Brake
2	JBA26912AAA001 JBA26912AAA002	Assembly, Mechanical Switch
3	👁 Page 5	Brake Coils & Cores
4	👁 Page 8	Lever, Brake
5	👁 Page 9	Link
6	JAA81AVH1	Pin
7	JAA81AVJ1	Pin
8	JBA81AVK1	Pin
9	JAA98AJV1	Rod, Threaded, w/ Link
10	JAA415AAC2	Shoe, Brake
11	JAA90AEL1	Spring
12	JAA133AAW1	Washer
13	JAA00131ABS001	Washer (10 required per arm)

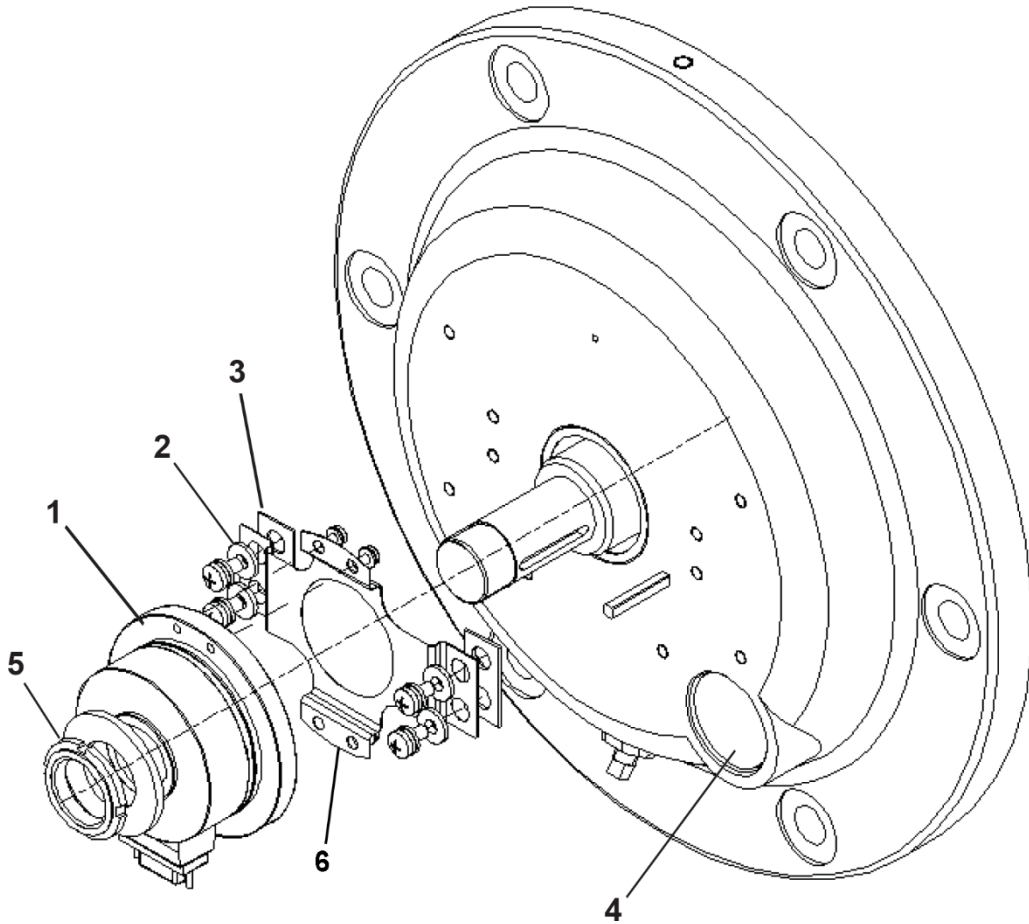


9 (10 pcs max)

9 (10 pcs max)

W/O VINTAGE		
REF. No.	PART No.	DESCRIPTION
1	---	Core, See p. 10
2	JAA00131ACE001	Washer (T = 0.4)
3	JAA00131ACE002	Washer (T = 0.5)
4	JAA400AAT4	Core
5	JAA376AAR1	Gasket
6	JAA234ACW1	Coil
7	JAA400AAT3	Core
8	JAA335AAH1	Bearing, Plain
9	JAA129ACT1	Paper, Insulating, See NOTE

NOTE: Paper p/n JAA129ACT1 is 1 piece for each coil. Order 20 pieces. See TIP 6.1.0-26, *Insulating Paper Installation Procedure (30T/40T Machine Brake Coils)*, for details.



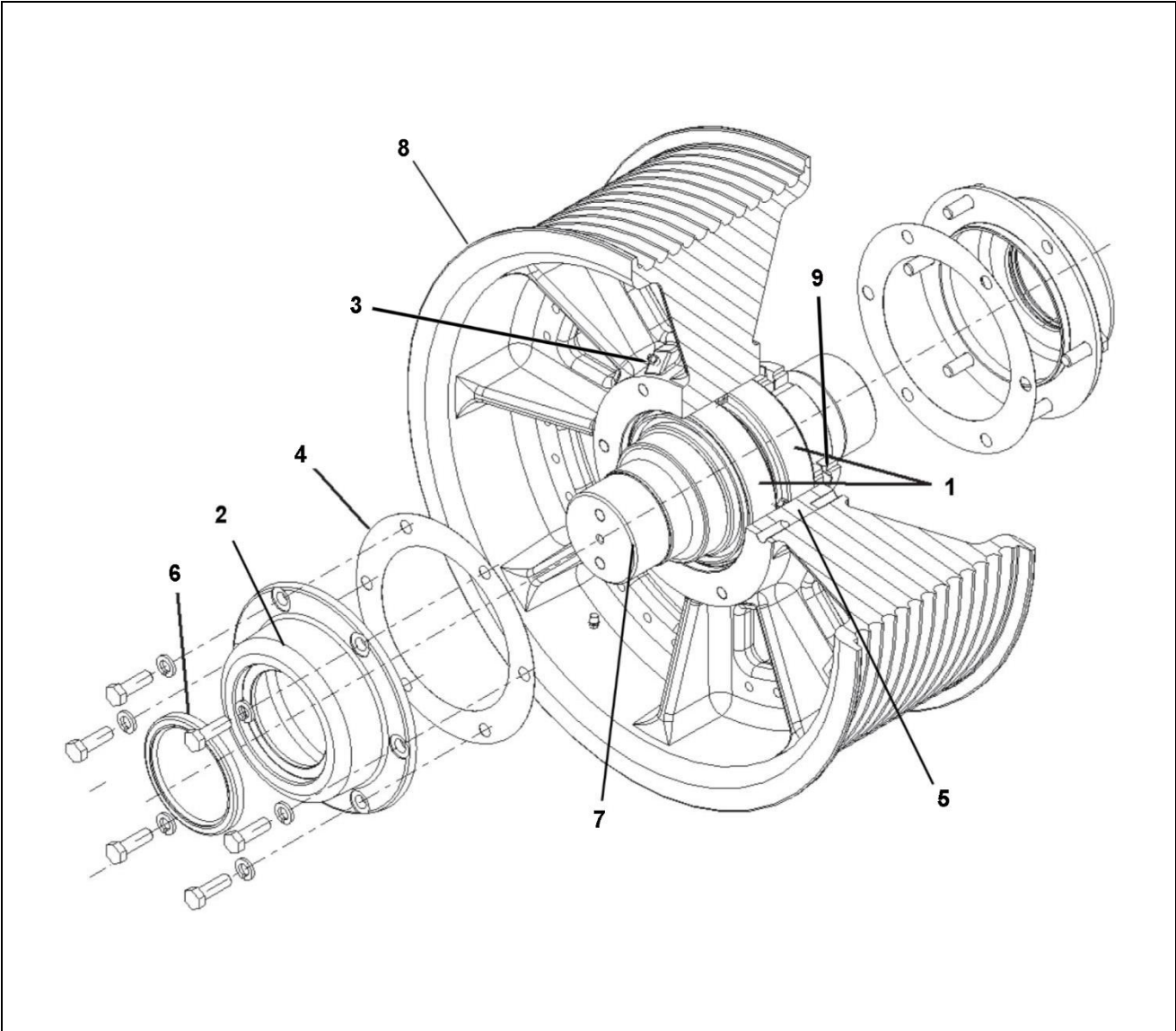
**JAA21410ABF
JBA21410ABF**

1	2	3
----------	----------	----------

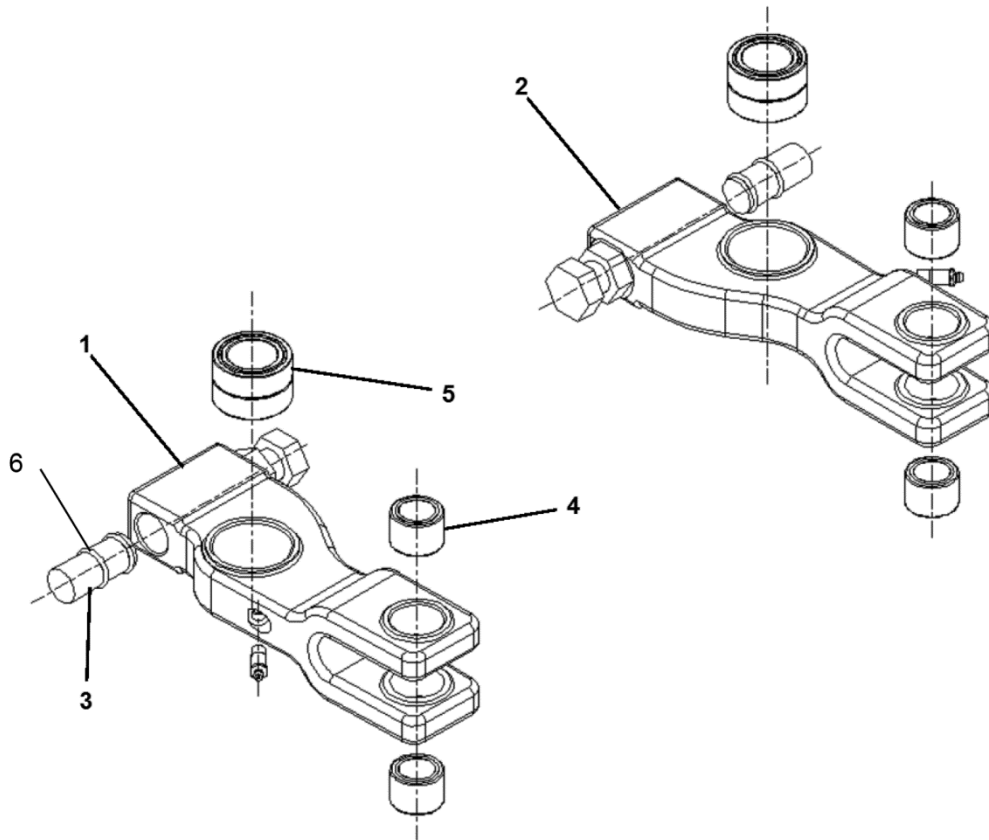
REF. NO.	PART or ML			DESCRIPTION
1	AAA633W1	---	JAA633ABK1 JBA633ABK1 JAA633ACD1 JAB633ACD1	Encoder
2	JAA129ABG1			Insulator
3	JAA129ABF1			Insulator
4	JAA719AAG2			Gauge
5	JAA72ABP1			Nut
6	JAA00316DBF001			Bracket

Secondary Sheave

06-JAA20226AAA



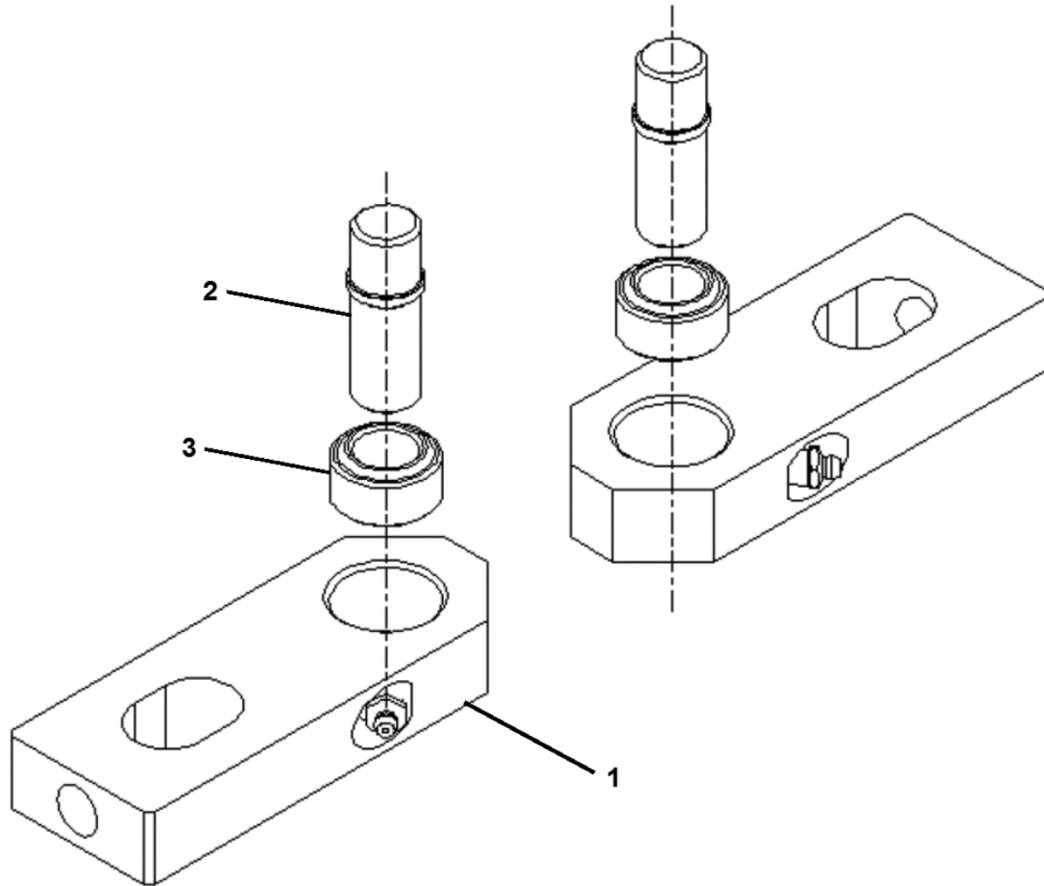
JAA20830AAJ JAA20830AAH		
REF. NO.	PART or ML	DESCRIPTION
1	JAA209ABH1	Bearing, Roller
2	JAA346AXK1	Cover
3	435C1	Fitting
4	JAA376AAS3	Gasket
5	JAA172AAX1	Ring
6	JAA33AAX1	Seal
7	JAA494ADY2	Shaft
8	JAA265ACH1	Sheave (for 14 grooves; diameter 16-rope)
	JAA265ACH2	Sheave (for 12 grooves; diameter 18-rope)
9	BWT140	Washer, Tabbed



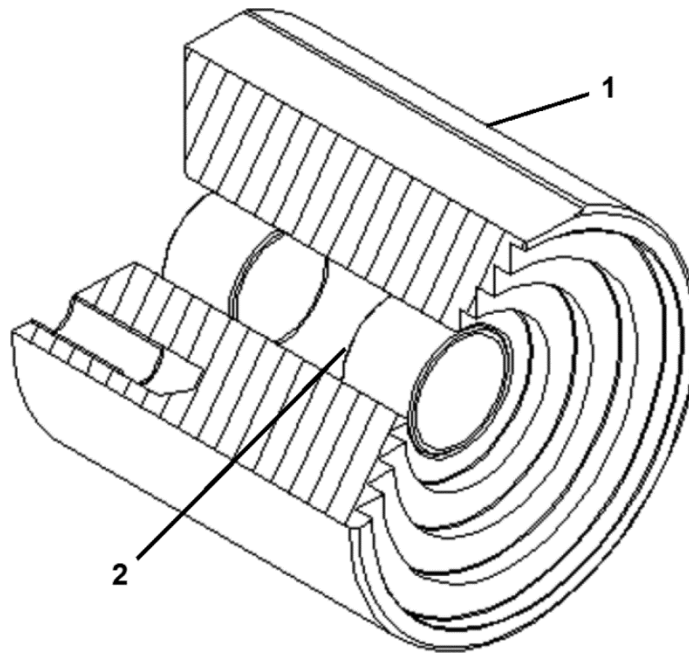
JAA286AAV			
3		4	
REF. NO.	PART or ML		DESCRIPTION
1	JAA286AAV1	---	Lever, Brake
2	---	JAA286AAV2	Lever, Brake
3	JAA81AVL2		Pin
4	JAA00209AAD001		Bearing, Roller
5	JAA00209AAE001		Bearing, Roller
6	172JK1		O-Ring

Link

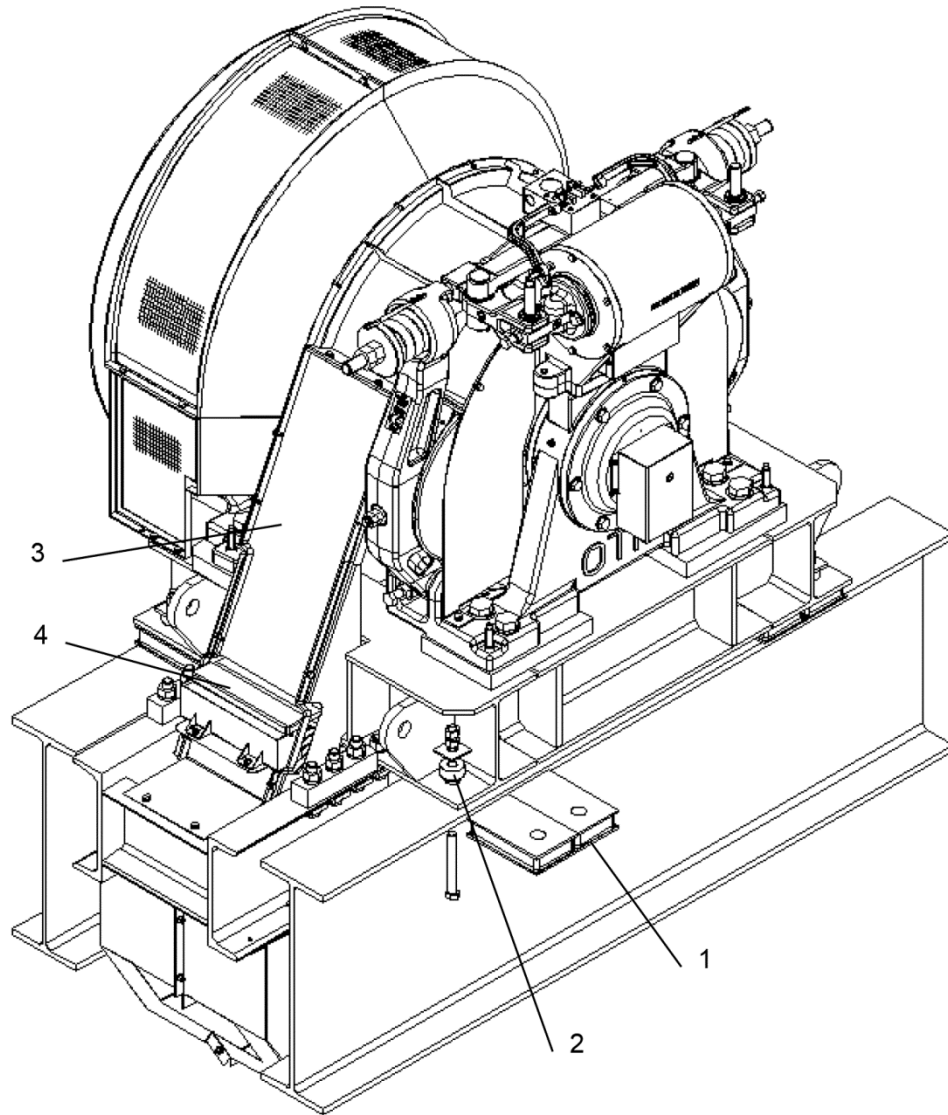
06-JAA20226AAA



REF. NO.	JAA430ABS		DESCRIPTION
	2	3	
REF. NO.	PART or ML		DESCRIPTION
1	JAA430ABS1		Link
2	JAA00081AHK001		Pin
3	JX212W3		Bearing



	JAA400AAV2	JAA400ABD2	
REF. NO.	PART or ML		DESCRIPTION
1	JAA400AAV1	JAA400ABD1	Core
2	JX212T6		Bearing



W/O VINTAGE		
REF. NO.	PART or ML	DESCRIPTION
1	JAA310ASE___	Block (As per DWG. JAA20226AAF, AAK)
	JAA310BDM___	Block (As per DWG. JBA20226AAF, AAK, JCA20226AAF, AAK)
	JAA310BGB___	Block (As per DWG. JDA20226AAF, AAK)
2	JAA321AET1	Bushing
3	JAA384AME___	Guard (As per DWG. JAA20830AAJ, JBA20830AAJ)
	JAA384BDH___	Guard (As per DWG. JAA20830ACR)
	JAA384BDK___ JAA384BDM___	
4	JAA508AAP4	Reservoir (As per DWG. JBA20830AAJ)
	JAA508AAX4	Reservoir (As per DWG. JAA20830ACR)