

**PM138 Machine,  
Type 1, 2, and 2A**

**Spare Parts Leaflet**

**06-JAA20227AAA**

**06-JAA20227AAG**

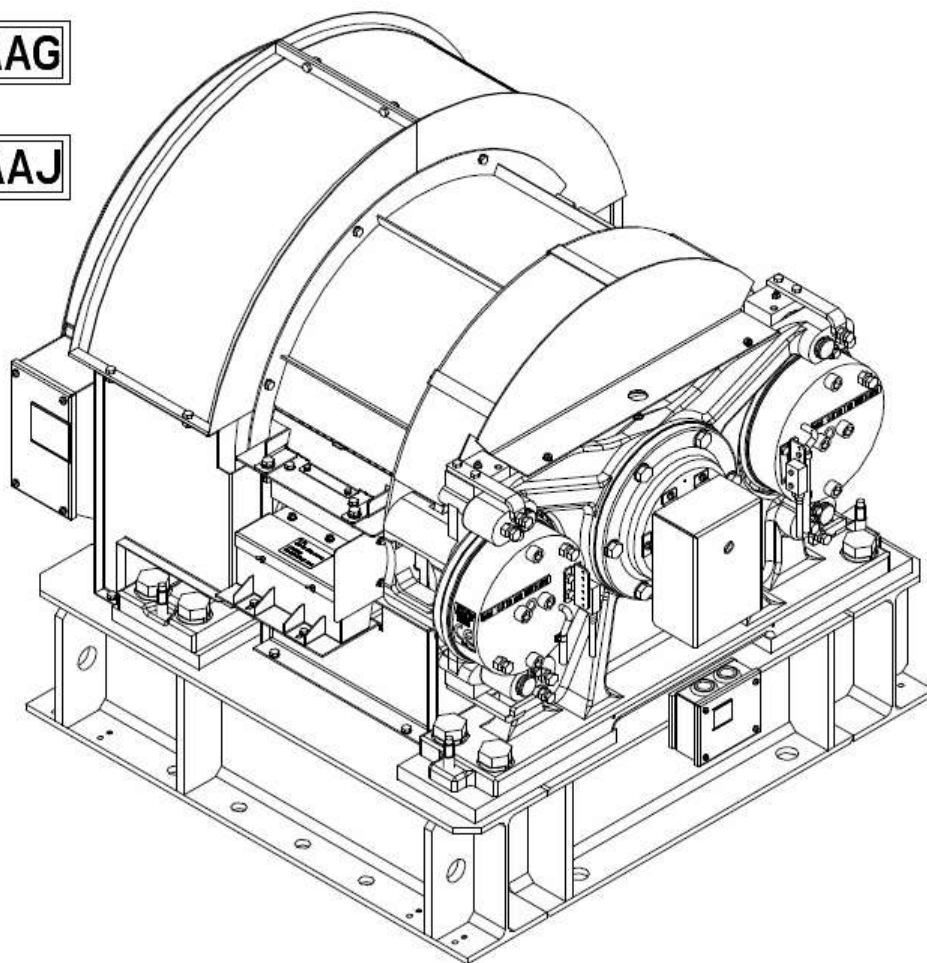
**06-JAA20227AAJ**

**January 12, 2022 / Page 1 of 36**

**06 J-JGA20227AAA**

**06 J-JFA20227AAG**

**06 J-JDA20227AAJ**



Unpublished Work—©Otis Elevator Co.; 2022

**OTIS**

**Safety First!**

**SERVICE ENGINEERING**

**Otis Elevator Company**

**Shibayama Factory, Japan**

**Leaflet Description**

This leaflet, originating at the Shibayama Factory in Japan, provides spare parts information for PM138 machine. It encompasses the JAA20227AAA (Type 2), JAA20227AAG (Type 1), and JA20227AAJ (Type 2A) versions.

**Leaflet Revisions**

<b>Date Revised</b>	<b>Subject Matter Expert</b>	<b>Reason for Revision</b>
March 31, 2009	Yamaoka, Takayuki	This SPL was JAA20227AAG, JAA20227AAA, & JAA20227AAJ.
March 3, 2011	Yamaoka, Takayuki	Updated (see p. 35, Encoder was JBA633ABK1)
October 13, 2021	Gary Mendrala	Added brake switch lever AAA287DL1 to p. 34
January 12, 2022	Gary Mendrala	Added caliper hand clarification pages on pp. 32 and 34

**Related Drawings**

<b>Drawing No.</b>	<b>Title</b>	<b>Drawing No.</b>	<b>Title</b>
JFA20227AAG		JGA20227AAA	
JAA20237AAH		JBA21410ABF	
JDA20227AAJ		JBA20830AAK	

**Related Documents**

<b>Document ID</b>	<b>Title</b>

**Subject Matter Expert**

<b>Name</b>	<b>Department</b>
Gary Mendrala	OSC Service Engineering

**About Spare Parts Leaflets...**

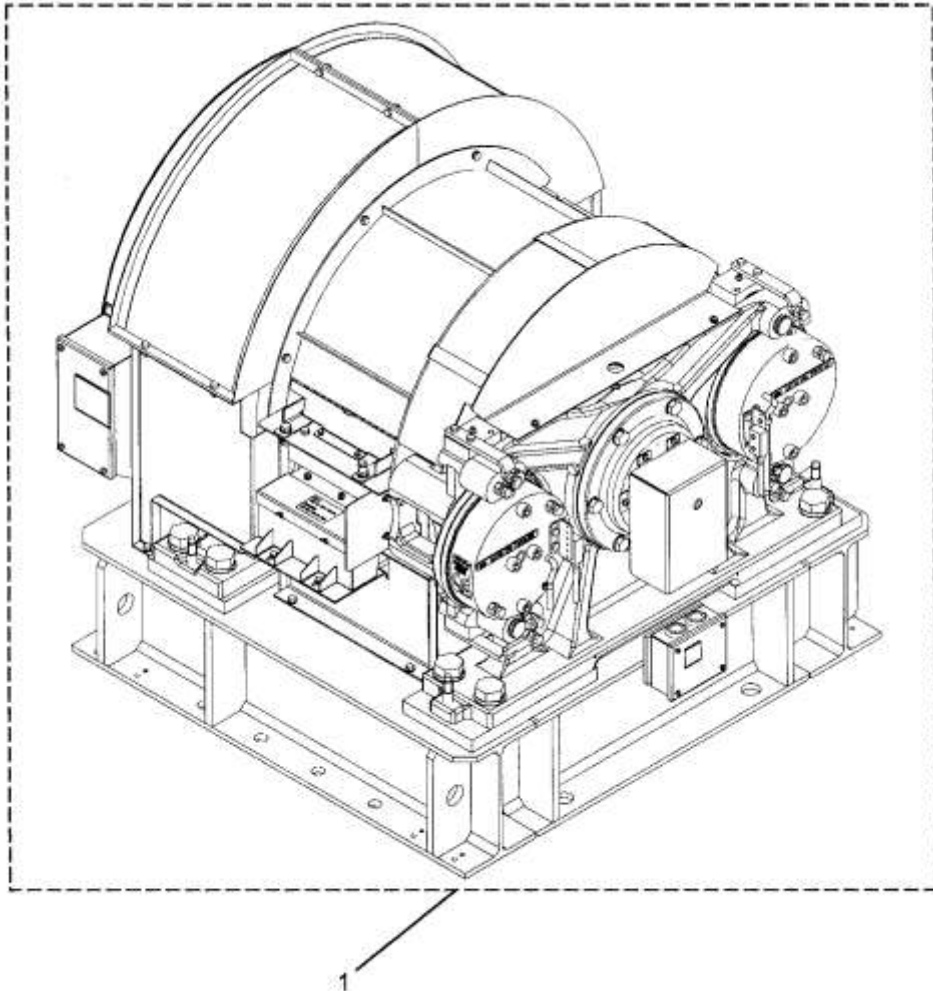
This document lists the lowest replaceable units (LRUs) for the standard version of the product. The LRUs are chosen by a team of Otis associates representing engineering and manufacturing.




While goal of this document is to make parts identification as easy as possible, the document cannot be all-inclusive. Elevator and escalator contracts classified as "special" or "custom" are not addressed here. For such contracts, please refer to specified information, the contract folder, TIPs, Field Education Articles, Construction Letters, etc. for further information.

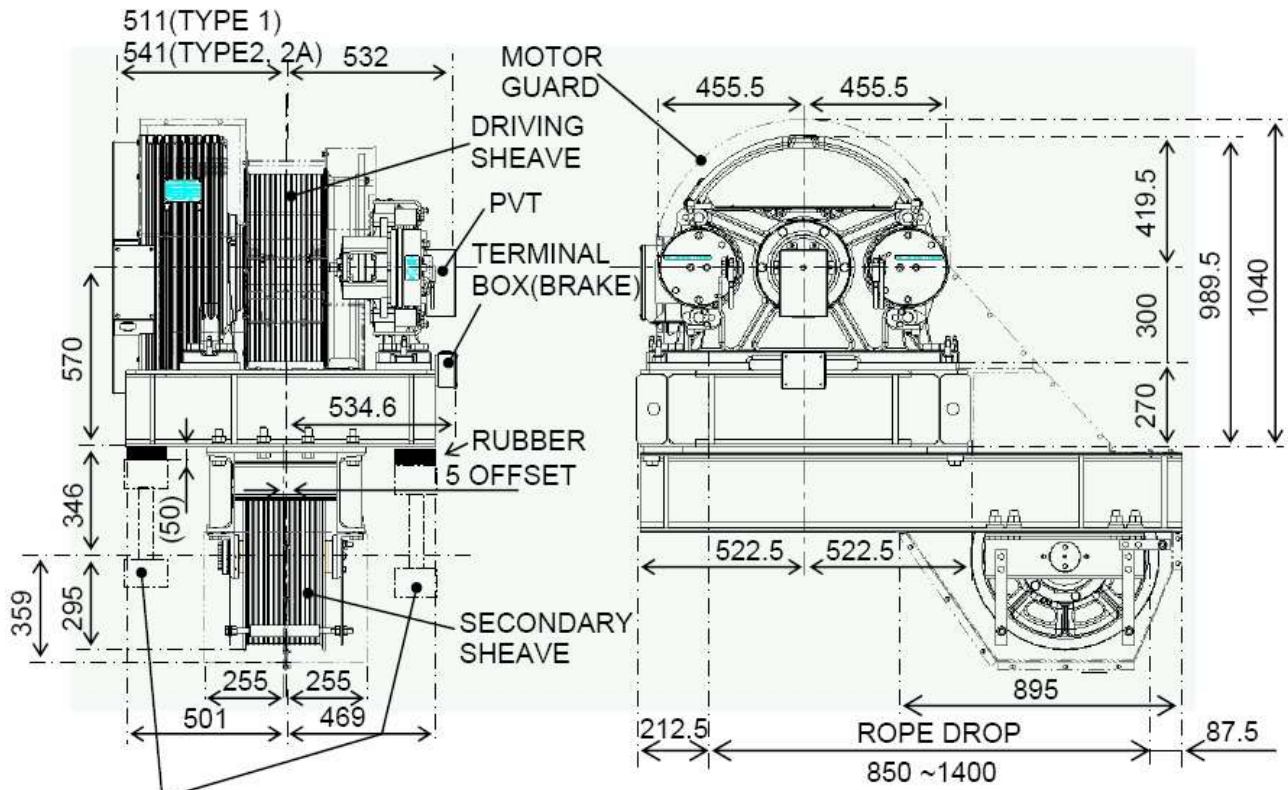
If you have any suggestions about this document, please contact the subject matter expert listed on this page.

# Table of Contents

**06-JAA20227AAA**

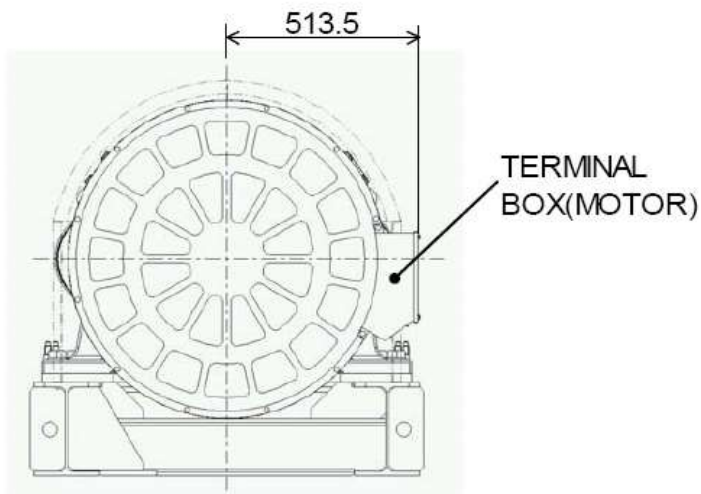


<b>JAA20227AAX</b>			
<b>REF. No.</b>	<b>DRW. NO.</b>	<b>TYPE</b>	<b>REMARKS</b>
1	J_A20227AAG	Type 1	 pp. 5–13
	J_A20227AAA	Type 2	 pp. 14–22
	J_A20227AAJ	Type 2A	 pp. 23–31



\*\* MACHINE BEAM

\*\* Machine beam width shall be less than 200mm.



- This drawing shows an example with a left hand side secondary sheave and a right handside terminal box. -

# PM138 Machine, Type 1, JAA20227AAG

**06-JAA20227AAA**

<b>JAA20227AAG</b> <b>-JEA20227AAG</b> <b>JFA20227AAG</b>							
Part No.	Sec. Sheave Inst.	Motor Assy.	Terminal Hand	Rope Drop	Pvt. Assy.	Drive Sheave (Rope Diam.)	Description
<del>JAA20227AAG3</del> <del>JBA20227AAG3</del> <del>JCA20227AAG3</del> <del>JDA20227AAG3</del> <del>JEA20227AAG3</del> JFA20227AAG3	<del>JAA20830AAK3</del> <del>JAA20830AAK3</del> OR <del>JAA20830AAK7</del> JBA20830AAK3 OR JBA20830AAK7	JAA20227AAD3	Right	850-1050	<del>JAA21410ABF1</del> (DANAHER) <del>JAA21410ABF3</del> JBA21410ABF3 (NEMICON)	JAA261AAH1 (*1)	PM138 Machine, Type 1, Available All Areas
<del>JAA20227AAG4</del> <del>JBA20227AAG4</del> <del>JCA20227AAG4</del> <del>JDA20227AAG4</del> <del>JEA20227AAG4</del> JFA20227AAG4	<del>JAA20830AAK4</del> <del>JAA20830AAK4</del> OR <del>JAA20830AAK8</del> JBA20830AAK4 OR JBA20830AAK8	JAA20227AAD4	Left	850-1050	<del>JAA21410ABF1</del> (DANAHER) <del>JAA21410ABF3</del> JBA21410ABF3 (NEMICON)	JAA261AAH1 (*1)	
<del>JAA20227AAG1</del> <del>JBA20227AAG1</del> <del>JCA20227AAG1</del> <del>JDA20227AAG1</del> <del>JEA20227AAG1</del> JFA20227AAG1	<del>JAA20830AAK1</del> <del>JAA20830AAK1</del> OR <del>JAA20830AAK5</del> JBA20830AAK1 OR JBA20830AAK5	JAA20227AAD3	Right	<del>1051-1400</del> 1051-1300	<del>JAA21410ABF1</del> (DANAHER) <del>JAA21410ABF3</del> JBA21410ABF3 (NEMICON)	JAA261AAH1 (*1)	
<del>JAA20227AAG2</del> <del>JBA20227AAG2</del> <del>JCA20227AAG2</del> <del>JDA20227AAG2</del> <del>JEA20227AAG2</del> JFA20227AAG2	<del>JAA20830AAK2</del> <del>JAA20830AAK2</del> OR <del>JAA20830AAK6</del> JBA20830AAK2 OR JBA20830AAK6	JAA20227AAD4	Left	<del>1051-1400</del> 1051-1300	<del>JAA21410ABF1</del> (DANAHER) <del>JAA21410ABF3</del> JBA21410ABF3 (NEMICON)	JAA261AAH1 (*1)	
JFA20227AAG13	JBA20830AAK1 OR JBA20830AAK5	JAA20227AAD3	Right	1301-1400	<del>JAA21410ABF1</del> (DANAHER) <del>JAA21410ABF3</del> JBA21410ABF3 (NEMICON)	JAA261AAH1 (*1)	
JFA20227AAG14	JBA20830AAK2 OR JBA20830AAK6	JAA20227AAD4	Left	1301-1400	<del>JAA21410ABF1</del> (DANAHER) <del>JAA21410ABF3</del> JBA21410ABF3 (NEMICON)	JAA261AAH1 (*1)	

(\*1) Rope diameter is selected by order sheet (12.0 or 12.7 or 13.0).

**PM138 Machine, Type 1,  
JAA20227AAG**

<b>JAA20227AAG -JEA20227AAG JFA20227AAG</b>							
<b>Part No.</b>	<b>Sec. Sheave Inst.</b>	<b>Motor Assy.</b>	<b>Terminal Hand</b>	<b>Rope Drop</b>	<b>Pvt. Assy.</b>	<b>Drive Sheave (Rope Diam.)</b>	<b>Description</b>
JCA20227AAG11 JDA20227AAG11 JEA20227AAG11 JFA20227AAG11	JAA20830AAK3 JBA20830AAK3  JBA20830AAK3 OR JBA20830AAK7	JAA20227AAD3	Right	850-1050	JAA21410ABF2 JBA21410ABF2 (W/O)	JAA261AAH1 (*1)	PM138 Machine, Type 1, Available All Areas
JCA20227AAG12 JDA20227AAG12 JEA20227AAG12 JFA20227AAG12	JAA20830AAK4 JBA20830AAK4  JBA20830AAK4 OR JBA20830AAK8	JAA20227AAD4	Left	850-1050	JAA21410ABF2 JBA21410ABF2 (W/O)	JAA261AAH1 (*1)	
JCA20227AAG9 JDA20227AAG9 JEA20227AAG9 JFA20227AAG9	JAA20830AAK1 JBA20830AAK1  JBA20830AAK1 OR JBA20830AAK5	JAA20227AAD3	Right	<del>1051-1400</del> 1051-1300	JAA21410ABF2 JBA21410ABF2 (W/O)	JAA261AAH1 (*1)	
JCA20227AAG10 JDA20227AAG10 JEA20227AAG10 JFA20227AAG10	JAA20830AAK2 JBA20830AAK2  JBA20830AAK2 OR JBA20830AAK6	JAA20227AAD4	Left	<del>1051-1400</del> 1051-1300	JAA21410ABF2 JBA21410ABF2 (W/O)	JAA261AAH1 (*1)	
JFA20227AAG15	JBA20830AAK1 OR JBA20830AAK5	JAA20227AAD3	Right	1301-1400	JAA21410ABF2 JBA21410ABF2 (W/O)	JAA261AAH1 (*1)	
JFA20227AAG16	JBA20830AAK2 OR JBA20830AAK6	JAA20227AAD4	Left	1301-1400	JAA21410ABF2 JBA21410ABF2 (W/O)	JAA261AAH1 (*1)	

(\*1) Rope diameter is selected by order sheet (Ø 12.0 or Ø 12.7 or Ø 13.0).

# PM138 Machine, Type 1, JAA20227AAG

**06-JAA20227AAA**

**JAA20227AAG  
-JEA20227AAG  
JFA20227AAG**

Part No.	Sec. Sheave Inst.	Motor Assy.	Terminal Hand	Rope Drop	Pvt. Assy.	Drive Sheave (Rope Diam.)	Description
JCA20227AAG5 JDA20227AAG5 JEA20227AAG5	JAA20830AAK1 JBA20830AAK1	JAA20227AAD3	Right	1051- 1400	JAA21410ABF1 (DANAHER) JBA21410ABF1	JAA261AAH1	PM138 Machine, Type 1, Not Available
JCA20227AAG6 JDA20227AAG6 JEA20227AAG6	JAA20830AAK2 JBA20830AAK2	JAA20227AAD4	Left	1051- 1400	JAA21410ABF1 (DANAHER) JBA21410ABF1	JAA261AAH1	
JCA20227AAG7 JDA20227AAG7 JEA20227AAG7	JAA20830AAK3 JBA20830AAK3	JAA20227AAD3	Right	850- 1050	JAA21410ABF1 (DANAHER) JBA21410ABF1	JAA261AAH1	
JCA20227AAG8 JDA20227AAG8 JEA20227AAG8	JAA20830AAK4 JBA20830AAK4	JAA20227AAD4	Left	850- 1050	JAA21410ABF1 (DANAHER) JBA21410ABF1	JAA261AAH1	

**PM138 Machine, Type 1,  
JAA20227AAG**

**JAA20227AAG  
-JEA20227AAG  
JFA20227AAG**

<b>Part No.</b>	<b>Sec. Sheave Inst.</b>	<b>Motor Assy.</b>	<b>Terminal Hand</b>	<b>Rope Drop</b>	<b>Pvt. Assy.</b>	<b>Drive Sheave (Rope Diam.)</b>	<b>Description</b>
JFA20227AAG101	JBA20830AAK3	JAA20227AAK3	Right	850-1050	JBA21410ABF3 (NEMICON)	JAA261AAH1 (Ø12.0)	PM138 Machine, Type 1, Available All Areas Except Japan
JFA20227AAG102	JBA20830AAK4	JAA20227AAK4	Left	850-1050			
JFA20227AAG103	JBA20830AAK1	JAA20227AAK3	Right	1051-1300			
JFA20227AAG104	JBA20830AAK2	JAA20227AAK4	Left	1051-1300			
JFA20227AAG105	JBA20830AAK1	JAA20227AAK3	Right	1301-1400			
JFA20227AAG106	JBA20830AAK2	JAA20227AAK4	Left	1301-1400			
JFA20227AAG107	JBA20830AAK3	JAA20227AAK3	Right	850-1050	JBA21410ABF2 (W/O)		
JFA20227AAG108	JBA20830AAK4	JAA20227AAK4	Left	850-1050			
JFA20227AAG109	JBA20830AAK1	JAA20227AAK3	Right	1051-1300			
JFA20227AAG110	JBA20830AAK2	JAA20227AAK4	Left	1051-1300			
JFA20227AAG111	JBA20830AAK1	JAA20227AAK3	Right	1301-1400			
JFA20227AAG112	JBA20830AAK2	JAA20227AAK4	Left	1301-1400			



# PM138 Machine, Type 1, JAA20227AAG

06-JAA20227AAA

**JAA20227AAG**  
-  
**JEA20227AAG**  
**JFA20227AAG**

Part No.	Sec. Sheave Inst.	Motor Assy.	Terminal Hand	Rope Drop	Pvt. Assy.	Drive Sheave (Rope Diam.)	Description
JFA20227AAG131	JBA20830AAK3	JAA20227AAK3	Right	850-1050	JBA21410ABF3 (NEMICON)	JAA261AAH2 ( $\varnothing$ 12.7)	PM138 Machine, Type 1, Available All Areas Except Japan
JFA20227AAG132	JBA20830AAK4	JAA20227AAK4	Left	850-1050			
JFA20227AAG133	JBA20830AAK1	JAA20227AAK3	Right	1051-1300			
JFA20227AAG134	JBA20830AAK2	JAA20227AAK4	Left	1051-1300			
JFA20227AAG135	JBA20830AAK1	JAA20227AAK3	Right	1301-1400			
JFA20227AAG136	JBA20830AAK2	JAA20227AAK4	Left	1301-1400			
JFA20227AAG137	JBA20830AAK3	JAA20227AAK3	Right	850-1050	JBA21410ABF2 (W/O)		
JFA20227AAG138	JBA20830AAK4	JAA20227AAK4	Left	850-1050			
JFA20227AAG139	JBA20830AAK1	JAA20227AAK3	Right	1051-1300			
JFA20227AAG140	JBA20830AAK2	JAA20227AAK4	Left	1051-1300			
JFA20227AAG141	JBA20830AAK1	JAA20227AAK3	Right	1301-1400			
JFA20227AAG142	JBA20830AAK2	JAA20227AAK4	Left	1301-1400			

**06-JAA20227AAA****PM138 Machine, Type 1,  
JAA20227AAG****JAA20227AAG  
-  
JEA20227AAG  
JFA20227AAG**

<b>Part No.</b>	<b>Sec. Sheave Inst.</b>	<b>Motor Assy.</b>	<b>Terminal Hand</b>	<b>Rope Drop</b>	<b>Pvt. Assy.</b>	<b>Drive Sheave (Rope Diam.)</b>	<b>Description</b>
JFA20227AAG161	JBA20830AAK3	JAA20227AAK3	Right	850-1050	JBA21410ABF3 (NEMICON)	JAA261AAH3 ( $\varnothing$ 13.0)	PM138 Machine, Type 1, Available All Areas Except Japan
JFA20227AAG162	JBA20830AAK4	JAA20227AAK4	Left	850-1050			
JFA20227AAG163	JBA20830AAK1	JAA20227AAK3	Right	1051-1300			
JFA20227AAG164	JBA20830AAK2	JAA20227AAK4	Left	1051-1300			
JFA20227AAG165	JBA20830AAK1	JAA20227AAK3	Right	1301-1400			
JFA20227AAG166	JBA20830AAK2	JAA20227AAK4	Left	1301-1400			
JFA20227AAG167	JBA20830AAK3	JAA20227AAK3	Right	850-1050	JBA21410ABF2 (W/O)		
JFA20227AAG168	JBA20830AAK4	JAA20227AAK4	Left	850-1050			
JFA20227AAG169	JBA20830AAK1	JAA20227AAK3	Right	1051-1300			
JFA20227AAG170	JBA20830AAK2	JAA20227AAK4	Left	1051-1300			
JFA20227AAG171	JBA20830AAK1	JAA20227AAK3	Right	1301-1400			
JFA20227AAG172	JBA20830AAK2	JAA20227AAK4	Left	1301-1400			

# PM138 Machine, Type 1, JAA20227AAG

**06-JAA20227AAA**

<b>JAA20227AAG- JEA20227AAG JFA20227AAG</b>							
<b>Part No.</b>	<b>Sec. Sheave Inst.</b>	<b>Motor Assy.</b>	<b>Terminal Hand</b>	<b>Rope Drop</b>	<b>Pvt. Assy.</b>	<b>Drive Sheave (Rope Diam.)</b>	<b>Description</b>
JFA20227AAG201	JBA20830AAK3 or JBA20830AAK7	JAA20227AAK9	Right	850-1050	JBA21410ABF3 (NEMICON)	JAA261AAH1 ( $\varnothing$ 12.0)	PM138 Machine, Type 1, Available in Japan
JFA20227AAG202	JBA20830AAK4 or JBA20830AAK8	JAA20227AAK10	Left	850-1050			
JFA20227AAG203	JBA20830AAK1 or JBA20830AAK5	JAA20227AAK9	Right	1051-1300			
JFA20227AAG204	JBA20830AAK2 or JBA20830AAK6	JAA20227AAK10	Left	1051-1300			
JFA20227AAG205	JBA20830AAK1 or JBA20830AAK5	JAA20227AAK9	Right	1301-1400			
JFA20227AAG206	JBA20830AAK2 or JBA20830AAK6	JAA20227AAK10	Left	1301-1400			
JFA20227AAG207	JBA20830AAK3 or JBA20830AAK7	JAA20227AAK9	Right	850-1050	JBA21410ABF2 (W/O)		
JFA20227AAG208	JBA20830AAK4 or JBA20830AAK8	JAA20227AAK10	Left	850-1050			
JFA20227AAG209	JBA20830AAK1 or JBA20830AAK5	JAA20227AAK9	Right	1051-1300			
JFA20227AAG210	JBA20830AAK2 or JBA20830AAK6	JAA20227AAK10	Left	1051-1300			
JFA20227AAG211	JBA20830AAK1 or JBA20830AAK5	JAA20227AAK9	Right	1301-1400			
JFA20227AAG212	JBA20830AAK2 or JBA20830AAK6	JAA20227AAK10	Left	1301-1400			

**06-JAA20227AAA****PM138 Machine, Type 1,  
JAA20227AAG****JAA20227AAG-  
JEA20227AAG  
JFA20227AAG**

<b>Part No.</b>	<b>Sec. Sheave Inst.</b>	<b>Motor Assy.</b>	<b>Terminal Hand</b>	<b>Rope Drop</b>	<b>Pvt. Assy.</b>	<b>Drive Sheave (Rope Diam.)</b>	<b>Description</b>
JFA20227AAG231	JBA20830AAK3 or JBA20830AAK7	JAA20227AAK9	Right	850-1050	JBA21410ABF3 (NEMICON)	JAA261AAH2 ( $\varnothing$ 12.7)	PM138 Machine, Type 1, Available in Japan
JFA20227AAG232	JBA20830AAK4 or JBA20830AAK8	JAA20227AAK10	Left	850-1050			
JFA20227AAG233	JBA20830AAK1 or JBA20830AAK5	JAA20227AAK9	Right	1051-1300			
JFA20227AAG234	JBA20830AAK2 or JBA20830AAK6	JAA20227AAK10	Left	1051-1300			
JFA20227AAG235	JBA20830AAK1 or JBA20830AAK5	JAA20227AAK9	Right	1301-1400			
JFA20227AAG236	JBA20830AAK2 or JBA20830AAK6	JAA20227AAK10	Left	1301-1400			
JFA20227AAG237	JBA20830AAK3 or JBA20830AAK7	JAA20227AAK9	Right	850-1050	JBA21410ABF2 (W/O)		
JFA20227AAG238	JBA20830AAK4 or JBA20830AAK8	JAA20227AAK10	Left	850-1050			
JFA20227AAG239	JBA20830AAK1 or JBA20830AAK5	JAA20227AAK9	Right	1051-1300			
JFA20227AAG240	JBA20830AAK2 or JBA20830AAK6	JAA20227AAK10	Left	1051-1300			
JFA20227AAG241	JBA20830AAK1 or JBA20830AAK5	JAA20227AAK9	Right	1301-1400			
JFA20227AAG242	JBA20830AAK2 or JBA20830AAK6	JAA20227AAK10	Left	1301-1400			

# PM138 Machine, Type 1, JAA20227AAG

**06-JAA20227AAA**

<b>JAA20227AAG- JEA20227AAG JFA20227AAG</b>							
<b>Part No.</b>	<b>Sec. Sheave Inst.</b>	<b>Motor Assy.</b>	<b>Terminal Hand</b>	<b>Rope Drop</b>	<b>Pvt. Assy.</b>	<b>Drive Sheave (Rope Diam.)</b>	<b>Description</b>
JFA20227AAG261	JBA20830AAK3 or JBA20830AAK7	JAA20227AAK9	Right	850-1050	JBA21410ABF3 (NEMICON)	JAA261AAH3 ( $\varnothing$ 13.0)	PM138 Machine, Type 1, Available in Japan
JFA20227AAG262	JBA20830AAK4 or JBA20830AAK8	JAA20227AAK10	Left	850-1050			
JFA20227AAG263	JBA20830AAK1 or JBA20830AAK5	JAA20227AAK9	Right	1051-1300			
JFA20227AAG264	JBA20830AAK2 or JBA20830AAK6	JAA20227AAK10	Left	1051-1300			
JFA20227AAG265	JBA20830AAK1 or JBA20830AAK5	JAA20227AAK9	Right	1301-1400			
JFA20227AAG266	JBA20830AAK2 or JBA20830AAK6	JAA20227AAK10	Left	1301-1400			
JFA20227AAG267	JBA20830AAK3 or JBA20830AAK7	JAA20227AAK9	Right	850-1050	JBA21410ABF2 (W/O)		
JFA20227AAG268	JBA20830AAK4 or JBA20830AAK8	JAA20227AAK10	Left	850-1050			
JFA20227AAG269	JBA20830AAK1 or JBA20830AAK5	JAA20227AAK9	Right	1051-1300			
JFA20227AAG270	JBA20830AAK2 or JBA20830AAK6	JAA20227AAK10	Left	1051-1300			
JFA20227AAG271	JBA20830AAK1 or JBA20830AAK5	JAA20227AAK9	Right	1301-1400			
JFA20227AAG272	JBA20830AAK2 or JBA20830AAK6	JAA20227AAK10	Left	1301-1400			

<b>JAA20227AAA-</b> <b>JFA20227AAA</b> <b>JGA20227AAA</b>							
<b>Part No.</b>	<b>Sec. Sheave Inst.</b>	<b>Motor Assy.</b>	<b>Terminal Hand</b>	<b>Rope Drop</b>	<b>Pvt. Assy.</b>	<b>Drive Sheave (Rope Diam.)</b>	<b>Description</b>
JAA20227AAA3 JBA20227AAA3 JCA20227AAA3 JDA20227AAA3 JEA20227AAA3 JFA20227AAA3 JGA20227AAA3	JAA20830AAK3 JAA20830AAK3 OR JAA20830AAK7 JBA20830AAK3 OR JBA20830AAK7	JAA20227AAD1	Right	850-1050	JAA21410ABF1 (DANAHER) JAA21410ABF3 JBA21410ABF3 (NEMICON)	JAA261AAH1 (*1)	PM138 Machine, Type 2, Available All Areas
JAA20227AAA4 JBA20227AAA4 JCA20227AAA4 JDA20227AAA4 JEA20227AAA4 JFA20227AAA4 JGA20227AAA4	JAA20830AAK4 JAA20830AAK4 OR JAA20830AAK8 JBA20830AAK4 OR JBA20830AAK8	JAA20227AAD2	Left				
JAA20227AAA1 JBA20227AAA1 JCA20227AAA1 JDA20227AAA1 JEA20227AAA1 JFA20227AAA1 JGA20227AAA1	JAA20830AAK1 JAA20830AAK1 OR JAA20830AAK5 JBA20830AAK1 OR JBA20830AAK5	JAA20227AAD1	Right	1051-1400			
JAA20227AAA2 JBA20227AAA2 JCA20227AAA2 JDA20227AAA2 JEA20227AAA2 JFA20227AAA2 JGA20227AAA2	JAA20830AAK2 JAA20830AAK2 OR JAA20830AAK6 JBA20830AAK2 OR JBA20830AAK6	JAA20227AAD2	Left	1051-1300			
JGA20227AAA13	JBA20830AAK1 OR JBA20830AAK5	JAA20227AAD1	Right	1301-1400			
JGA20227AAA14	JBA20830AAK2 OR JBA20830AAK6	JAA20227AAD2	Left				

(\*1) Rope diameter is selected by order sheet (Ø 12.0 or Ø 12.7 or Ø 13.0).

# PM138 Machine, Type 2

**06-JAA20227AAA**

<b>JAA20227AAA- JFA20227AAA JGA20227AAA</b>							
Part No.	Sec. Sheave Inst.	Motor Assy.	Terminal Hand	Rope Drop	Pvt. Assy.	Drive Sheave (Rope Diam.)	Description
<del>JDA20227AAA11</del> <del>JEA20227AAA11</del> <del>JFA20227AAA11</del> JGA20227AAA11	<del>JAA20830AAK3</del> <del>JBA20830AAK3</del> JBA20830AAK3 OR JBA20830AAK7	JAA20227AAD1	Right	850-1050	JAA21410ABF2 JBA21410ABF2 (W/O)	JAA261AAH1 (*1)	PM138 Machine, Type 2, Available All Areas
<del>JDA20227AAA12</del> <del>JEA20227AAA12</del> <del>JFA20227AAA12</del> JGA20227AAA12	<del>JAA20830AAK4</del> <del>JBA20830AAK4</del> JBA20830AAK4 OR JBA20830AAK8	JAA20227AAD2	Left	850-1050			
<del>JDA20227AAA9</del> <del>JEA20227AAA9</del> <del>JFA20227AAA9</del> JGA20227AAA9	<del>JAA20830AAK1</del> <del>JBA20830AAK1</del> JBA20830AAK1 OR JBA20830AAK5	JAA20227AAD1	Right	<del>1051-1400</del> 1051-1300			
<del>JDA20227AAA10</del> <del>JEA20227AAA10</del> <del>JFA20227AAA10</del> JGA20227AAA10	<del>JAA20830AAK2</del> <del>JBA20830AAK2</del> JBA20830AAK2 OR JBA20830AAK6	JAA20227AAD2	Left	<del>1051-1400</del> 1051-1300			
JGA20227AAA15	JBA20830AAK1 OR JBA20830AAK5	JAA20227AAD1	Right	1301-1400			
JGA20227AAA16	JBA20830AAK2 OR JBA20830AAK6	JAA20227AAD2	Left	1301-1400			

(\*1) Rope diameter is selected by order sheet (∅ 12.0 or ∅ 12.7 or ∅ 13.0).

**JAA20227AAA-  
JFA20227AAA  
JGA20227AAA**

<b>Part No.</b>	<b>Sec. Sheave Inst.</b>	<b>Motor Assy.</b>	<b>Terminal Hand</b>	<b>Rope Drop</b>	<b>Pvt. Assy.</b>	<b>Drive Sheave (Rope Diam.)</b>	<b>Description</b>
JDA20227AAA5 JEA20227AAA5 JFA20227AAA5	JAA20830AAK1 JBA20830AAK1	JAA20227AAD1	Right	1051- 1400	JAA21410ABF1 DANAHER JBA21410ABF1	JAA261AAH1	PM138 Machine, Type 2, Not Available
JDA20227AAA6 JEA20227AAA6 JFA20227AAA6	JAA20830AAK2 JBA20830AAK2	JAA20227AAD2	Left	1051- 1400			
JDA20227AAA7 JEA20227AAA7 JFA20227AAA7	JAA20830AAK3 JBA20830AAK3	JAA20227AAD1	Right	850- 1050			
JDA20227AAA8 JEA20227AAA8 JFA20227AAA8	JAA20830AAK4 JBA20830AAK4	JAA20227AAD2	Left	850- 1050			



# PM138 Machine, Type 2

**06-JAA20227AAA**

**JAA20227AAA  
-JFA20227AAA  
JGA20227AAA**

<b>Part No.</b>	<b>Sec. Sheave Inst.</b>	<b>Motor Assy.</b>	<b>Terminal Hand</b>	<b>Rope Drop</b>	<b>Pvt. Assy.</b>	<b>Drive Sheave (Rope Diam.)</b>	<b>Description</b>
JGA20227AAA101	JBA20830AAK3	JAA20227AAK1	Right	850-1050	JBA21410ABF3 (NEMICON)	JAA261AAH1 ( $\varnothing$ 12.0)	PM138 Machine, Type 2, Available All Areas Except Japan
JGA20227AAA102	JBA20830AAK4	JAA20227AAK2	Left	850-1050			
JGA20227AAA103	JBA20830AAK1	JAA20227AAK1	Right	1051-1300			
JGA20227AAA104	JBA20830AAK2	JAA20227AAK2	Left	1051-1300			
JGA20227AAA105	JBA20830AAK1	JAA20227AAK1	Right	1301-1400			
JGA20227AAA106	JBA20830AAK2	JAA20227AAK2	Left	1301-1400			
JGA20227AAA107	JBA20830AAK3	JAA20227AAK1	Right	850-1050	JBA21410ABF2 (W/O)		
JGA20227AAA108	JBA20830AAK4	JAA20227AAK2	Left	850-1050			
JGA20227AAA109	JBA20830AAK1	JAA20227AAK1	Right	1051-1300			
JGA20227AAA110	JBA20830AAK2	JAA20227AAK2	Left	1051-1300			
JGA20227AAA111	JBA20830AAK1	JAA20227AAK1	Right	1301-1400			
JGA20227AAA112	JBA20830AAK2	JAA20227AAK2	Left	1301-1400			

**JAA20227AAA-  
JFA20227AAA  
JGA20227AAA**

<b>Part No.</b>	<b>Sec. Sheave Inst.</b>	<b>Motor Assy.</b>	<b>Terminal Hand</b>	<b>Rope Drop</b>	<b>Pvt. Assy.</b>	<b>Drive Sheave (Rope Diam.)</b>	<b>Description</b>
JGA20227AAA131	JBA20830AAK3	JAA20227AAK1	Right	850-1050	JBA21410ABF3 (NEMICON)	JAA261AAH2 ( $\varnothing$ 12.7)	PM138 Machine, Type 2, Available All Areas Except Japan
JGA20227AAA132	JBA20830AAK4	JAA20227AAK2	Left	850-1050			
JGA20227AAA133	JBA20830AAK1	JAA20227AAK1	Right	1051-1300			
JGA20227AAA134	JBA20830AAK2	JAA20227AAK2	Left	1051-1300			
JGA20227AAA135	JBA20830AAK1	JAA20227AAK1	Right	1301-1400			
JGA20227AAA136	JBA20830AAK2	JAA20227AAK2	Left	1301-1400			
JGA20227AAA137	JBA20830AAK3	JAA20227AAK1	Right	850-1050	JBA21410ABF2 (W/O)		
JGA20227AAA138	JBA20830AAK4	JAA20227AAK2	Left	850-1050			
JGA20227AAA139	JBA20830AAK1	JAA20227AAK1	Right	1051-1300			
JGA20227AAA140	JBA20830AAK2	JAA20227AAK2	Left	1051-1300			
JGA20227AAA141	JBA20830AAK1	JAA20227AAK1	Right	1301-1400			
JGA20227AAA142	JBA20830AAK2	JAA20227AAK2	Left	1301-1400			

# PM138 Machine, Type 2

**06-JAA20227AAA**

**JAA20227AAA-  
JFA20227AAA  
JGA20227AAA**

<b>Part No.</b>	<b>Sec. Sheave Inst.</b>	<b>Motor Assy.</b>	<b>Terminal Hand</b>	<b>Rope Drop</b>	<b>Pvt. Assy.</b>	<b>Drive Sheave (Rope Diam.)</b>	<b>Description</b>
JGA20227AAA161	JBA20830AAK3	JAA20227AAK1	Right	850-1050	JBA21410ABF3 (NEMICON)	JAA261AAH3 ( $\varnothing$ 13.0)	PM138 Machine, Type 2, Available All Areas Except Japan
JGA20227AAA162	JBA20830AAK4	JAA20227AAK2	Left	850-1050			
JGA20227AAA163	JBA20830AAK1	JAA20227AAK1	Right	1051-1300			
JGA20227AAA164	JBA20830AAK2	JAA20227AAK2	Left	1051-1300			
JGA20227AAA165	JBA20830AAK1	JAA20227AAK1	Right	1301-1400			
JGA20227AAA166	JBA20830AAK2	JAA20227AAK2	Left	1301-1400			
JGA20227AAA167	JBA20830AAK3	JAA20227AAK1	Right	850-1050	JBA21410ABF2 (W/O)		
JGA20227AAA168	JBA20830AAK4	JAA20227AAK2	Left	850-1050			
JGA20227AAA169	JBA20830AAK1	JAA20227AAK1	Right	1051-1300			
JGA20227AAA170	JBA20830AAK2	JAA20227AAK2	Left	1051-1300			
JGA20227AAA171	JBA20830AAK1	JAA20227AAK1	Right	1301-1400			
JGA20227AAA172	JBA20830AAK2	JAA20227AAK2	Left	1301-1400			

**JAA20227AAA-  
JFA20227AAA  
JGA20227AAA**

<b>Part No.</b>	<b>Sec. Sheave Inst.</b>	<b>Motor Assy.</b>	<b>Terminal Hand</b>	<b>Rope Drop</b>	<b>Pvt. Assy.</b>	<b>Drive Sheave (Rope Diam.)</b>	<b>Description</b>
JGA20227AAA201	JBA20830AAK3 OR JBA20830AAK7	JAA20227AAK7	Right	850-1050	JBA21410ABF3 (NEMICON)	JAA261AAH1 ( $\varnothing$ 12.0)	PM138 Machine, Type 2, Available in Japan
JGA20227AAA202	JBA20830AAK4 OR JBA20830AAK8	JAA20227AAK8	Left	850-1050			
JGA20227AAA203	JBA20830AAK1 OR JBA20830AAK5	JAA20227AAK7	Right	1051-1300			
JGA20227AAA204	JBA20830AAK2 OR JBA20830AAK6	JAA20227AAK8	Left	1051-1300			
JGA20227AAA205	JBA20830AAK1 OR JBA20830AAK5	JAA20227AAK7	Right	1301-1400			
JGA20227AAA206	JBA20830AAK2 OR JBA20830AAK6	JAA20227AAK8	Left	1301-1400			
JGA20227AAA207	JBA20830AAK3 OR JBA20830AAK7	JAA20227AAK7	Right	850-1050	JBA21410ABF2 (W/O)		
JGA20227AAA208	JBA20830AAK4 OR JBA20830AAK8	JAA20227AAK8	Left	850-1050			
JGA20227AAA209	JBA20830AAK1 OR JBA20830AAK5	JAA20227AAK7	Right	1051-1300			
JGA20227AAA210	JBA20830AAK2 OR JBA20830AAK6	JAA20227AAK8	Left	1051-1300			
JGA20227AAA211	JBA20830AAK1 OR JBA20830AAK5	JAA20227AAK7	Right	1301-1400			
JGA20227AAA212	JBA20830AAK2 OR JBA20830AAK6	JAA20227AAK8	Left	1301-1400			

# PM138 Machine, Type 2

**06-JAA20227AAA**

**JAA20227AAA-  
JFA20227AAA  
JGA20227AAA**

Part No.	Sec. Sheave Inst.	Motor Assy.	Terminal Hand	Rope Drop	Pvt. Assy.	Drive Sheave (Rope Diam.)	Description
JGA20227AAA231	JBA20830AAK3 OR JBA20830AAK7	JAA20227AAK7	Right	850-1050	JBA21410ABF3 (NEMICON)	JAA261AAH2 ( $\varnothing$ 12.7)	PM138 Machine, Type 2, Available in Japan
JGA20227AAA232	JBA20830AAK4 OR JBA20830AAK8	JAA20227AAK8	Left	850-1050			
JGA20227AAA233	JBA20830AAK1 OR JBA20830AAK5	JAA20227AAK7	Right	1051-1300			
JGA20227AAA234	JBA20830AAK2 OR JBA20830AAK6	JAA20227AAK8	Left	1051-1300			
JGA20227AAA235	JBA20830AAK1 OR JBA20830AAK5	JAA20227AAK7	Right	1301-1400			
JGA20227AAA236	JBA20830AAK2 OR JBA20830AAK6	JAA20227AAK8	Left	1301-1400			
JGA20227AAA237	JBA20830AAK3 OR JBA20830AAK7	JAA20227AAK7	Right	850-1050	JBA21410ABF2 (W/O)		
JGA20227AAA238	JBA20830AAK4 OR JBA20830AAK8	JAA20227AAK8	Left	850-1050			
JGA20227AAA239	JBA20830AAK1 OR JBA20830AAK5	JAA20227AAK7	Right	1051-1300			
JGA20227AAA240	JBA20830AAK2 OR JBA20830AAK6	JAA20227AAK8	Left	1051-1300			
JGA20227AAA241	JBA20830AAK1 OR JBA20830AAK5	JAA20227AAK7	Right	1301-1400			
JGA20227AAA242	JBA20830AAK2 OR JBA20830AAK6	JAA20227AAK8	Left	1301-1400			

**JAA20227AAA-  
JFA20227AAA  
JGA20227AAA**

<b>Part No.</b>	<b>Sec. Sheave Inst.</b>	<b>Motor Assy.</b>	<b>Terminal Hand</b>	<b>Rope Drop</b>	<b>Pvt. Assy.</b>	<b>Drive Sheave (Rope Diam.)</b>	<b>Description</b>
JGA20227AAA261	JBA20830AAK3 OR JBA20830AAK7	JAA20227AAK7	Right	850-1050	JBA21410ABF3 (NEMICON)	JAA261AAH3 (Ø 13.0)	PM138 Machine, Type 2, Available in Japan
JGA20227AAA262	JBA20830AAK4 OR JBA20830AAK8	JAA20227AAK8	Left	850-1050			
JGA20227AAA263	JBA20830AAK1 OR JBA20830AAK5	JAA20227AAK7	Right	1051-1300			
JGA20227AAA264	JBA20830AAK2 OR JBA20830AAK6	JAA20227AAK8	Left	1051-1300			
JGA20227AAA265	JBA20830AAK1 OR JBA20830AAK5	JAA20227AAK7	Right	1301-1400			
JGA20227AAA266	JBA20830AAK2 OR JBA20830AAK6	JAA20227AAK8	Left	1301-1400			
JGA20227AAA267	JBA20830AAK3 OR JBA20830AAK7	JAA20227AAK7	Right	850-1050	JBA21410ABF2 (W/O)		
JGA20227AAA268	JBA20830AAK4 OR JBA20830AAK8	JAA20227AAK8	Left	850-1050			
JGA20227AAA269	JBA20830AAK1 OR JBA20830AAK5	JAA20227AAK7	Right	1051-1300			
JGA20227AAA270	JBA20830AAK2 OR JBA20830AAK6	JAA20227AAK8	Left	1051-1300			
JGA20227AAA271	JBA20830AAK1 OR JBA20830AAK5	JAA20227AAK7	Right	1301-1400			
JGA20227AAA272	JBA20830AAK2 OR JBA20830AAK6	JAA20227AAK8	Left	1301-1400			

# PM138 Machine, Type 2A

## 06-JAA20227AAJ

06-JAA20227AAA

<b>JAA20227AAA- JFA20227AAA JGA20227AAA</b>							
<b>Part No.</b>	<b>Sec. Sheave Inst.</b>	<b>Motor Assy.</b>	<b>Terminal Hand</b>	<b>Rope Drop</b>	<b>Pvt. Assy.</b>	<b>Drive Sheave (Rope Diam.)</b>	<b>Description</b>
JAA20227AAJ3 JBA20227AAJ3 JCA20227AAJ3 JDA20227AAJ3	JAA20830AAK3 OR JAA20830AAK7 JBA20830AAK3 OR JBA20830AAK7	JAA20227AAD5	Right	850-1050	JAA21410ABF3 JBA21410ABF3 (NEMICON)	JAA261AAH1 (*1)	PM138 Machine, Type 2A, Available in All Areas
JAA20227AAJ4 JBA20227AAJ4 JCA20227AAJ4 JDA20227AAJ4	JAA20830AAK4 OR JAA20830AAK8 JBA20830AAK4 OR JBA20830AAK8	JAA20227AAD6	Left	850-1050			
JAA20227AAJ1 JBA20227AAJ1 JCA20227AAJ1 JDA20227AAJ1	JAA20830AAK1 OR JAA20830AAK5 JBA20830AAK1 OR JBA20830AAK5	JAA20227AAD5	Right	1051-1400 1051-1300			
JAA20227AAJ2 JBA20227AAJ2 JCA20227AAJ2 JDA20227AAJ2	JAA20830AAK2 OR JAA20830AAK6 JBA20830AAK2 OR JBA20830AAK6	JAA20227AAD6	Left	1051-1400 1051-1300			
JDA20227AAJ13	JBA20830AAK1 OR JBA20830AAK5	JAA20227AAD5	Right	1301-1400			
JDA20227AAJ14	JBA20830AAK2 OR JBA20830AAK6	JAA20227AAD6	Left	1301-1400			

(\*1) Rope diameter is selected by order sheet (Ø 12.0 or Ø 12.7 or Ø 13.0).

**06-JAA20227AAA****PM138 Machine, Type 2A****06-JAA20227AAJ****JAA20227AAA-  
JFA20227AAA  
JGA20227AAA**

<b>Part No.</b>	<b>Sec. Sheave Inst.</b>	<b>Motor Assy.</b>	<b>Terminal Hand</b>	<b>Rope Drop</b>	<b>Pvt. Assy.</b>	<b>Drive Sheave (Rope Diam.)</b>	<b>Description</b>
JAA20227AAJ11 JBA20227AAJ11 JCA20227AAJ11 JDA20227AAJ11	JAA20830AAK3 JBA20830AAK3 JBA20830AAK3 OR JBA20830AAK7	JAA20227AAD5	Right	850-1050	JAA21410ABF2 JBA21410ABF2 (W/O)	JAA261AAH1 (*1)	PM138 Machine, Type 2A, Available in All Areas
JAA20227AAJ12 JBA20227AAJ12 JCA20227AAJ12 JDA20227AAJ12	JAA20830AAK4 JBA20830AAK4 JBA20830AAK4 OR JBA20830AAK8	JAA20227AAD6	Left	850-1050			
JAA20227AAJ9 JBA20227AAJ9 JCA20227AAJ9 JDA20227AAJ9	JAA20830AAK1 JBA20830AAK1 JBA20830AAK1 OR JBA20830AAK5	JAA20227AAD5	Right	<del>1051-1400</del> 1051-1300			
JAA20227AAJ10 JBA20227AAJ10 JCA20227AAJ10 JDA20227AAJ10	JAA20830AAK2 JBA20830AAK2 JBA20830AAK2 OR JBA20830AAK6	JAA20227AAD6	Left	<del>1051-1400</del> 1051-1300			
JDA20227AAJ15	JBA20830AAK1 OR JBA20830AAK5	JAA20227AAD5	Right	1301-1400			
JDA20227AAJ16	JBA20830AAK2 OR JBA20830AAK6	JAA20227AAD6	Left	1301-1400			

(\*1) Rope diameter is selected by order sheet (Ø 12.0 or Ø 12.7 or Ø 13.0).



# PM138 Machine, Type 2A

## 06-JAA20227AAJ

06-JAA20227AAA

<b>JAA20227AAA-</b> <b>JFA20227AAA</b> <b>JGA20227AAA</b>							
Part No.	Sec. Sheave Inst.	Motor Assy.	Terminal Hand	Rope Drop	Pvt. Assy.	Drive Sheave (Rope Diam.)	Description
JAA20227AAJ5 JBA20227AAJ5 JCA20227AAJ5	JAA20830AAK1 JBA20830AAK1	JAA20227AAD5	Right	1051- 1400	JAA21410ABF1 (DANAHER) JBA21410ABF1	JAA261AAH1	PM138 Machine, Type 2A, Not Available
JAA20227AAJ6 JBA20227AAJ6 JCA20227AAJ6	JAA20830AAK2 JBA20830AAK2	JAA20227AAD6	Left	1051- 1400			
JAA20227AAJ7 JBA20227AAJ7 JCA20227AAJ7	JAA20830AAK3 JBA20830AAK3	JAA20227AAD5	Right	850- 1050			
JAA20227AAJ8 JBA20227AAJ8 JCA20227AAJ8	JAA20830AAK4 JBA20830AAK4	JAA20227AAD6	Left	850- 1050			

**06-JAA20227AAA****PM138 Machine, Type 2A****06-JAA20227AAJ****JAA20227AAA-  
JFA20227AAA  
JGA20227AAA**

<b>Part No.</b>	<b>Sec. Sheave Inst.</b>	<b>Motor Assy.</b>	<b>Terminal Hand</b>	<b>Rope Drop</b>	<b>Pvt. Assy.</b>	<b>Drive Sheave (Rope Diam.)</b>	<b>Description</b>
JDA20227AAJ101	JBA20830AAK3	JAA20227AAK5	Right	850-1050	JBA21410ABF3 (NEMICON)	JAA261AAH1 ( $\varnothing$ 12.0)	PM138 Machine, Type 2A, Available in All Areas Except Japan
JDA20227AAJ102	JBA20830AAK4	JAA20227AAK6	Left	850-1050			
JDA20227AAJ103	JBA20830AAK1	JAA20227AAK5	Right	1051-1300			
JDA20227AAJ104	JBA20830AAK2	JAA20227AAK6	Left	1051-1300			
JDA20227AAJ105	JBA20830AAK1	JAA20227AAK5	Right	1301-1400			
JDA20227AAJ106	JBA20830AAK2	JAA20227AAK6	Left	1301-1400			
JDA20227AAJ107	JBA20830AAK3	JAA20227AAK5	Right	850-1050	JBA21410ABF2 (W/O)		
JDA20227AAJ108	JBA20830AAK4	JAA20227AAK6	Left	850-1050			
JDA20227AAJ109	JBA20830AAK1	JAA20227AAK5	Right	1051-1300			
JDA20227AAJ110	JBA20830AAK2	JAA20227AAK6	Left	1051-1300			
JDA20227AAJ111	JBA20830AAK1	JAA20227AAK5	Right	1301-1400			
JDA20227AAJ112	JBA20830AAK2	JAA20227AAK6	Left	1301-1400			

# PM138 Machine, Type 2A

## 06-JAA20227AAJ

06-JAA20227AAA

**JAA20227AAA-  
JFA20227AAA  
JGA20227AAA**

Part No.	Sec. Sheave Inst.	Motor Assy.	Terminal Hand	Rope Drop	Pvt. Assy.	Drive Sheave (Rope Diam.)	Description
JDA20227AAJ131	JBA20830AAK3	JAA20227AAK5	Right	850-1050	JBA21410ABF3 (NEMICON)	JAA261AAH2 ( $\varnothing$ 12.7)	PM138 Machine, Type 2A, Available in All Areas Except Japan
JDA20227AAJ132	JBA20830AAK4	JAA20227AAK6	Left	850-1050			
JDA20227AAJ133	JBA20830AAK1	JAA20227AAK5	Right	1051-1300			
JDA20227AAJ134	JBA20830AAK2	JAA20227AAK6	Left	1051-1300			
JDA20227AAJ135	JBA20830AAK1	JAA20227AAK5	Right	1301-1400			
JDA20227AAJ136	JBA20830AAK2	JAA20227AAK6	Left	1301-1400			
JDA20227AAJ137	JBA20830AAK3	JAA20227AAK5	Right	850-1050	JBA21410ABF2 (W/O)		
JDA20227AAJ138	JBA20830AAK4	JAA20227AAK6	Left	850-1050			
JDA20227AAJ139	JBA20830AAK1	JAA20227AAK5	Right	1051-1300			
JDA20227AAJ140	JBA20830AAK2	JAA20227AAK6	Left	1051-1300			
JDA20227AAJ141	JBA20830AAK1	JAA20227AAK5	Right	1301-1400			
JDA20227AAJ142	JBA20830AAK2	JAA20227AAK6	Left	1301-1400			

**06-JAA20227AAA****PM138 Machine, Type 2A****06-JAA20227AAJ****JAA20227AAA-  
JFA20227AAA  
JGA20227AAA**

<b>Part No.</b>	<b>Sec. Sheave Inst.</b>	<b>Motor Assy.</b>	<b>Terminal Hand</b>	<b>Rope Drop</b>	<b>Pvt. Assy.</b>	<b>Drive Sheave (Rope Diam.)</b>	<b>Description</b>
JDA20227AAJ161	JBA20830AAK3	JAA20227AAK5	Right	850-1050	JBA21410ABF3 (NEMICON)	JAA261AAH3 ( $\varnothing$ 13.0)	PM138 Machine, Type 2A, Available in All Areas Except Japan
JDA20227AAJ162	JBA20830AAK4	JAA20227AAK6	Left	850-1050			
JDA20227AAJ163	JBA20830AAK1	JAA20227AAK5	Right	1051-1300			
JDA20227AAJ164	JBA20830AAK2	JAA20227AAK6	Left	1051-1300			
JDA20227AAJ165	JBA20830AAK1	JAA20227AAK5	Right	1301-1400			
JDA20227AAJ166	JBA20830AAK2	JAA20227AAK6	Left	1301-1400			
JDA20227AAJ167	JBA20830AAK3	JAA20227AAK5	Right	850-1050	JBA21410ABF2 (W/O)		
JDA20227AAJ168	JBA20830AAK4	JAA20227AAK6	Left	850-1050			
JDA20227AAJ169	JBA20830AAK1	JAA20227AAK5	Right	1051-1300			
JDA20227AAJ170	JBA20830AAK2	JAA20227AAK6	Left	1051-1300			
JDA20227AAJ171	JBA20830AAK1	JAA20227AAK5	Right	1301-1400			
JDA20227AAJ172	JBA20830AAK2	JAA20227AAK6	Left	1301-1400			

# PM138 Machine, Type 2A

## 06-JAA20227AAJ

06-JAA20227AAA

<b>JAA20227AAA-</b> <b>JFA20227AAA</b> <b>JGA20227AAA</b>							
Part No.	Sec. Sheave Inst.	Motor Assy.	Terminal Hand	Rope Drop	Pvt. Assy.	Drive Sheave (Rope Diam.)	Description
JDA20227AAJ201	JBA20830AAK3 OR JBA20830AAK7	JAA20227AAK11	Right	850-1050	JBA21410ABF3 (NEMICON)	JAA261AAH1 ( $\varnothing$ 12.0)	PM138 Machine, Type 2A, Available in Japan
JDA20227AAJ202	JBA20830AAK4 OR JBA20830AAK8	JAA20227AAK12	Left	850-1050			
JDA20227AAJ203	JBA20830AAK1 OR JBA20830AAK5	JAA20227AAK11	Right	1051-1300			
JDA20227AAJ204	JBA20830AAK2 OR JBA20830AAK6	JAA20227AAK12	Left	1051-1300			
JDA20227AAJ205	JBA20830AAK1 OR JBA20830AAK5	JAA20227AAK11	Right	1301-1400			
JDA20227AAJ206	JBA20830AAK2 OR JBA20830AAK6	JAA20227AAK12	Left	1301-1400			
JDA20227AAJ207	JBA20830AAK3 OR JBA20830AAK7	JAA20227AAK11	Right	850-1050	JBA21410ABF2 (W/O)		
JDA20227AAJ208	JBA20830AAK4 OR JBA20830AAK8	JAA20227AAK12	Left	850-1050			
JDA20227AAJ209	JBA20830AAK1 OR JBA20830AAK5	JAA20227AAK11	Right	1051-1300			
JDA20227AAJ210	JBA20830AAK2 OR JBA20830AAK6	JAA20227AAK12	Left	1051-1300			
JDA20227AAJ211	JBA20830AAK1 OR JBA20830AAK5	JAA20227AAK11	Right	1301-1400			
JDA20227AAJ212	JBA20830AAK2 OR JBA20830AAK6	JAA20227AAK12	Left	1301-1400			

**06-JAA20227AAA****PM138 Machine, Type 2A****06-JAA20227AAJ****JAA20227AAA-  
JFA20227AAA  
JGA20227AAA**

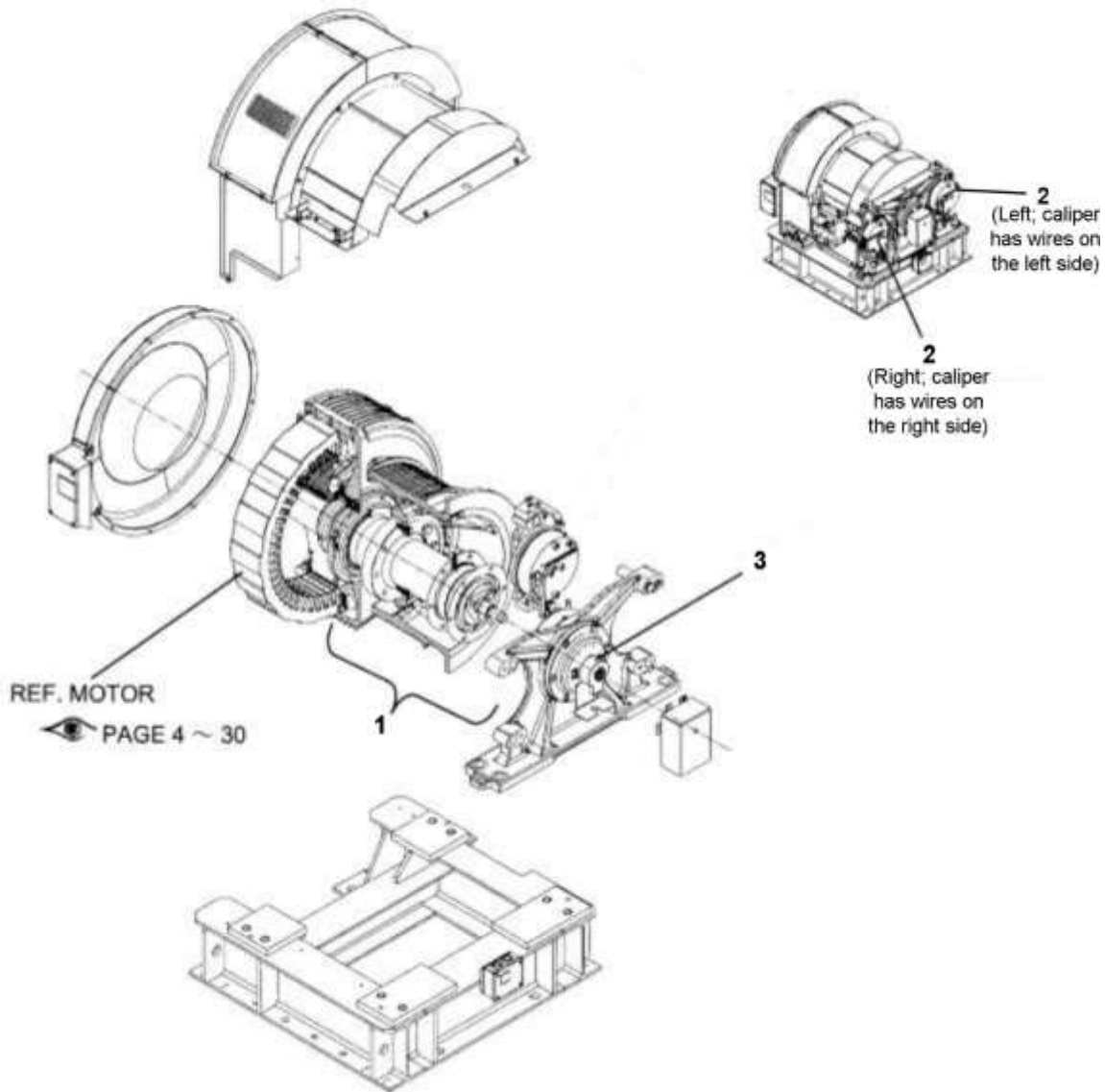
<b>Part No.</b>	<b>Sec. Sheave Inst.</b>	<b>Motor Assy.</b>	<b>Terminal Hand</b>	<b>Rope Drop</b>	<b>Pvt. Assy.</b>	<b>Drive Sheave (Rope Diam.)</b>	<b>Description</b>
JDA20227AAJ231	JBA20830AAK3 OR JBA20830AAK7	JAA20227AAK11	Right	850-1050	JBA21410ABF3 (NEMICON)	JAA261AAH2 ( $\varnothing$ 12.7)	PM138 Machine, Type 2A, Available in Japan
JDA20227AAJ232	JBA20830AAK4 OR JBA20830AAK8	JAA20227AAK12	Left	850-1050			
JDA20227AAJ233	JBA20830AAK1 OR JBA20830AAK5	JAA20227AAK11	Right	1051-1300			
JDA20227AAJ234	JBA20830AAK2 OR JBA20830AAK6	JAA20227AAK12	Left	1051-1300			
JDA20227AAJ235	JBA20830AAK1 OR JBA20830AAK5	JAA20227AAK11	Right	1301-1400			
JDA20227AAJ236	JBA20830AAK2 OR JBA20830AAK6	JAA20227AAK12	Left	1301-1400			
JDA20227AAJ237	JBA20830AAK3 OR JBA20830AAK7	JAA20227AAK11	Right	850-1050	JBA21410ABF2 (W/O)		
JDA20227AAJ238	JBA20830AAK4 OR JBA20830AAK8	JAA20227AAK12	Left	850-1050			
JDA20227AAJ239	JBA20830AAK1 OR JBA20830AAK5	JAA20227AAK11	Right	1051-1300			
JDA20227AAJ240	JBA20830AAK2 OR JBA20830AAK6	JAA20227AAK12	Left	1051-1300			
JDA20227AAJ241	JBA20830AAK1 OR JBA20830AAK5	JAA20227AAK11	Right	1301-1400			
JDA20227AAJ242	JBA20830AAK2 OR JBA20830AAK6	JAA20227AAK12	Left	1301-1400			

# PM138 Machine, Type 2A

**06-JAA20227AAA**

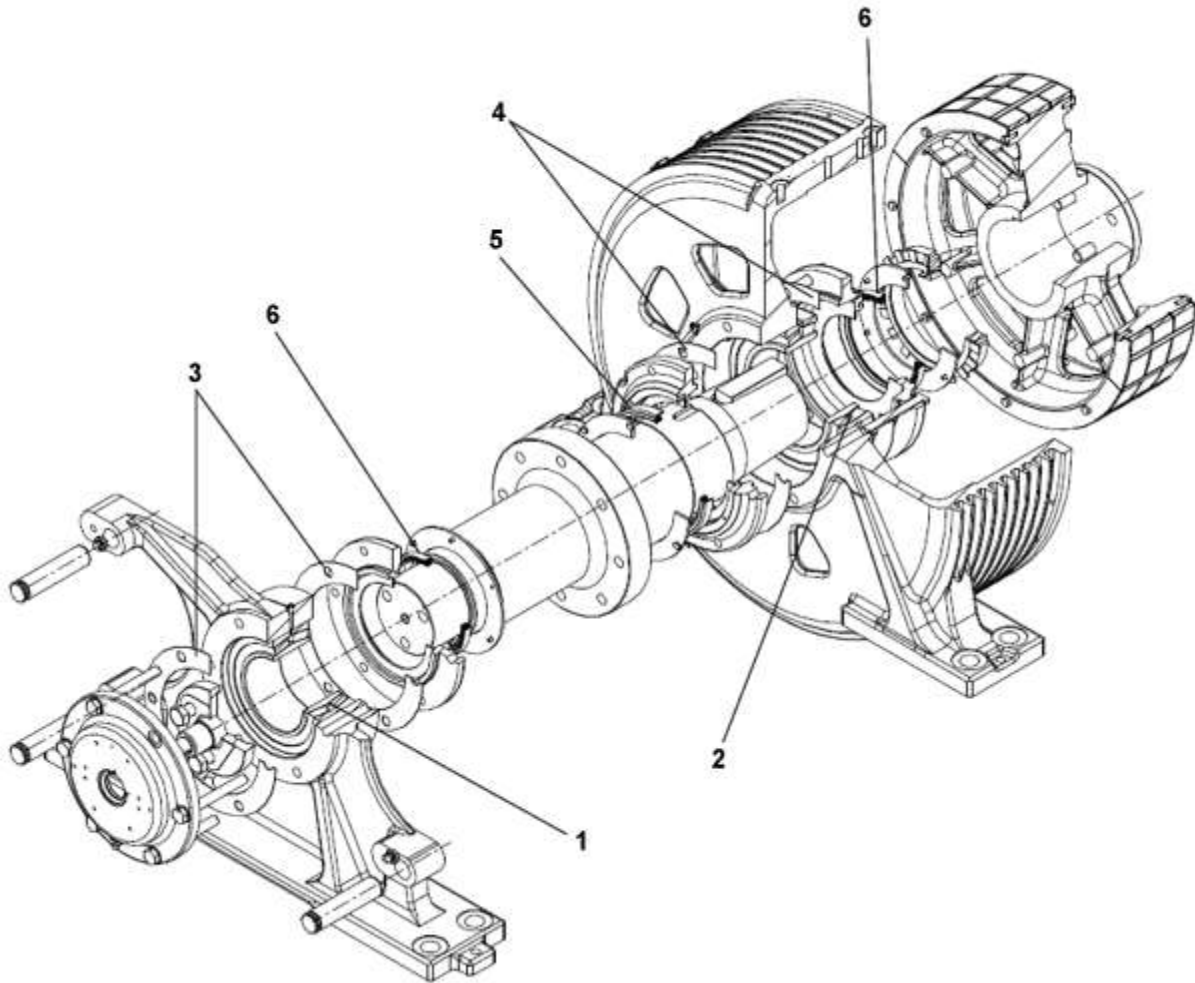
## 06-JAA20227AAJ

<b>JAA20227AAA- JFA20227AAA JGA20227AAA</b>							
<b>Part No.</b>	<b>Sec. Sheave Inst.</b>	<b>Motor Assy.</b>	<b>Terminal Hand</b>	<b>Rope Drop</b>	<b>Pvt. Assy.</b>	<b>Drive Sheave (Rope Diam.)</b>	<b>Description</b>
JDA20227AAJ261	JBA20830AAK3 OR JBA20830AAK7	JAA20227AAK11	Right	850-1050	JBA21410ABF3 (NEMICON)	JAA261AAH3 ( $\varnothing$ 13.0)	PM138 Machine, Type 2A, Available in Japan
JDA20227AAJ262	JBA20830AAK4 OR JBA20830AAK8	JAA20227AAK12	Left	850-1050			
JDA20227AAJ263	JBA20830AAK1 OR JBA20830AAK5	JAA20227AAK11	Right	1051-1300			
JDA20227AAJ264	JBA20830AAK2 OR JBA20830AAK6	JAA20227AAK12	Left	1051-1300			
JDA20227AAJ265	JBA20830AAK1 OR JBA20830AAK5	JAA20227AAK11	Right	1301-1400			
JDA20227AAJ266	JBA20830AAK2 OR JBA20830AAK6	JAA20227AAK12	Left	1301-1400			
JDA20227AAJ267	JBA20830AAK3 OR JBA20830AAK7	JAA20227AAK11	Right	850-1050	JBA21410ABF2 (W/O)		
JDA20227AAJ268	JBA20830AAK4 OR JBA20830AAK8	JAA20227AAK12	Left	850-1050			
JDA20227AAJ269	JBA20830AAK1 OR JBA20830AAK5	JAA20227AAK11	Right	1051-1300			
JDA20227AAJ270	JBA20830AAK2 OR JBA20830AAK6	JAA20227AAK12	Left	1051-1300			
JDA20227AAJ271	JBA20830AAK1 OR JBA20830AAK5	JAA20227AAK11	Right	1301-1400			
JDA20227AAJ272	JBA20830AAK2 OR JBA20830AAK6	JAA20227AAK12	Left	1301-1400			



<b>JAA20227AA_</b>			
<b>REF. No.</b>	<b>ASSEMBLY NO.</b>	<b>DESCRIPTION</b>	<b>REMARKS</b>
1	w/o Vintage	Rotor Assembly	p. 33
2	JAA20237AAH1 (Left)	Brake Assembly	p. 34
	JAA20237AAH2 (Right)		
3	JAA21410ABF_ JBA21410ABF_	PVT Assembly	p. 35
-	JAA20830AAK_ JBA20830AAK_	Secondary Sheave	p. 36

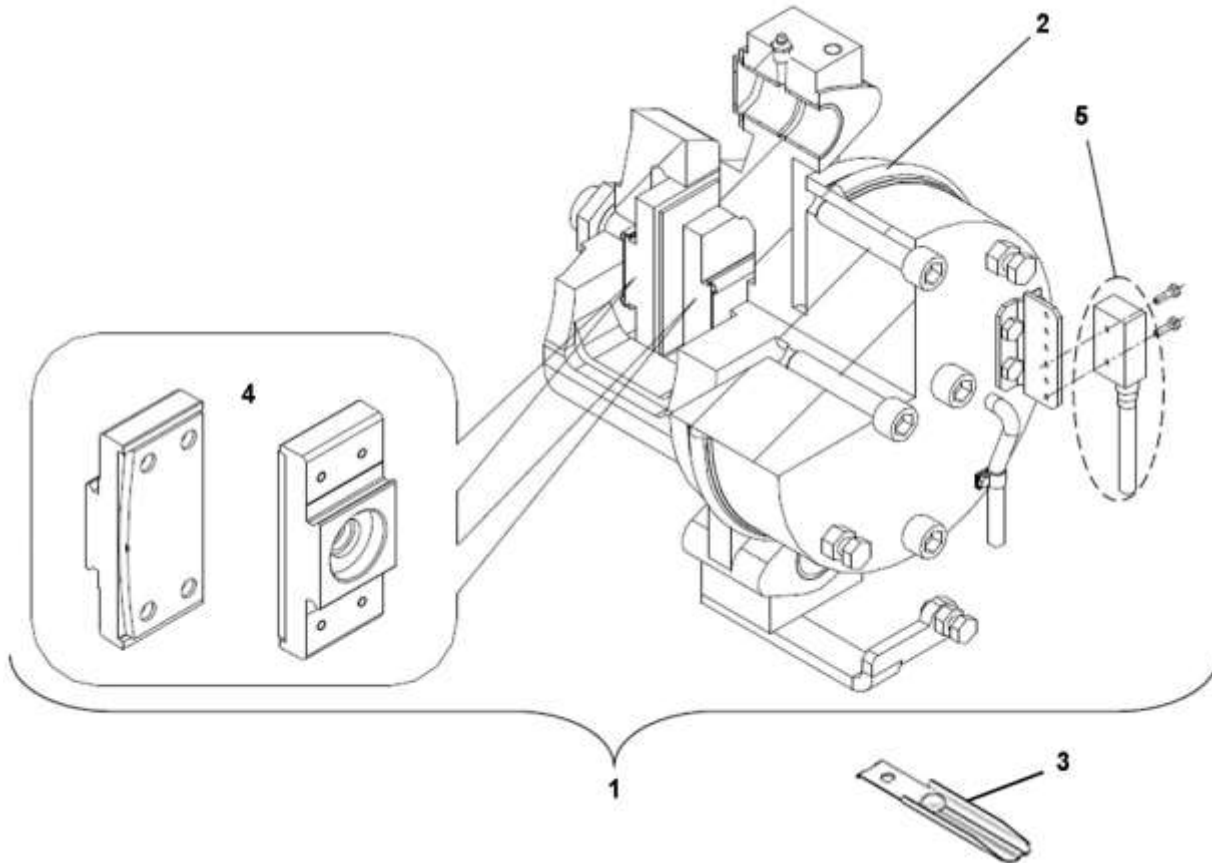




<b>W/O VINTAGE</b>		
<b>REF. No.</b>	<b>PART No.</b>	<b>DESCRIPTION</b>
1	JAA209ABL1	Bearing, Roller
2	JAA209ABM1	Bearing, Roller
3	JAA376AAT1	Gasket
4	JAA376AAT2	Gasket
5	JAA33AAY1	Seal
6	JAA33AAY2	Seal

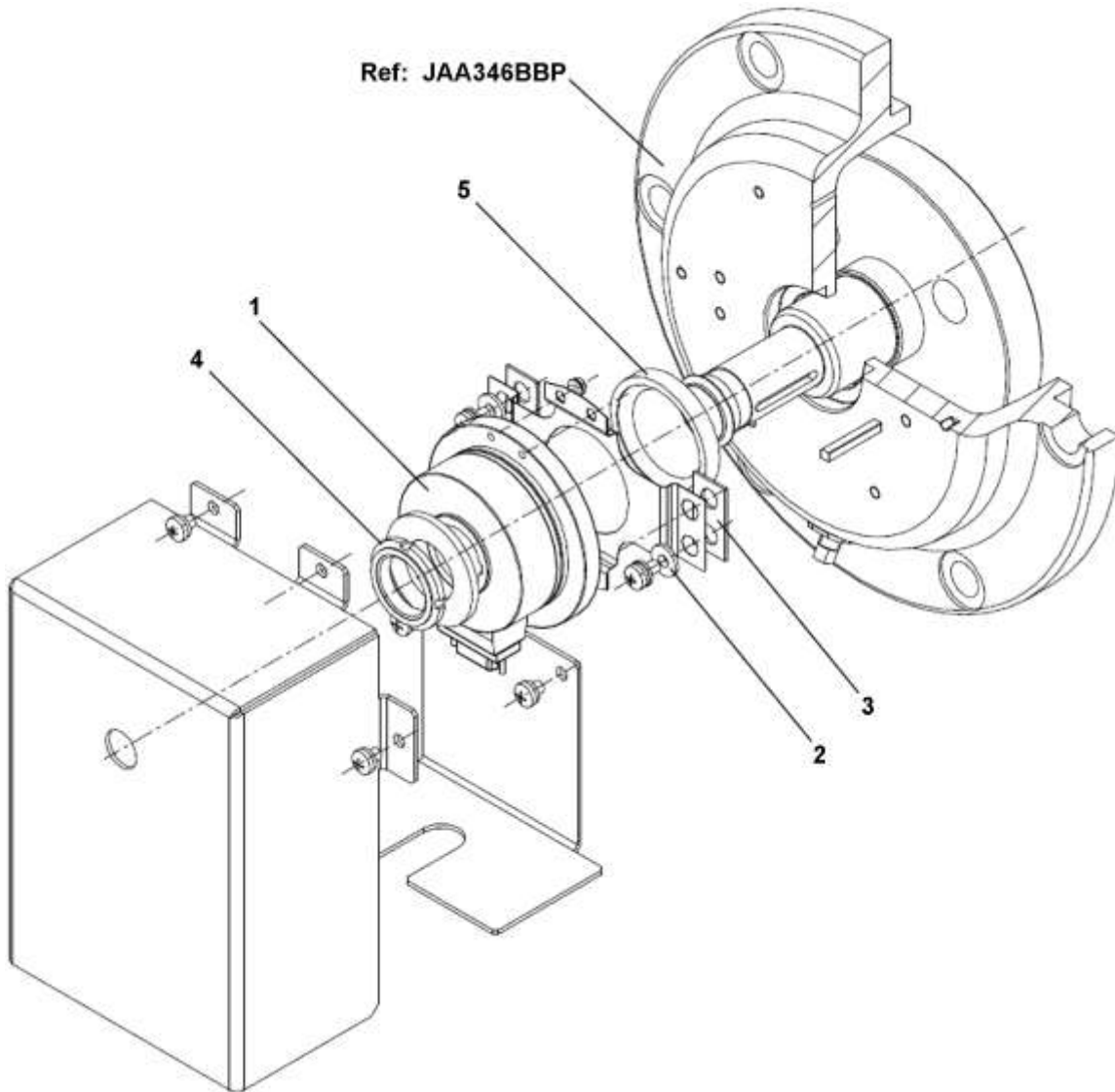
# Brake Assembly

06-JAA20227AAA



JAA20237AAH2 Shown  
(Right has wires on the right side.)

JAA20237AAH		
REF. No.	PART No.	DESCRIPTION
1	JAA20237AAH1	Brake Assembly, Left, Pads and Switch Included
	JAA20237AAH2	Brake Assembly, Right, Pads and Switch Included. (Right Shown)
2	JAA346CGK1	Cover, Brake Dust
3	AAA287DL1	Lever, Brake Switch Actuation
4	JAA415AAL1	Shoe, Brake (Qty. 2)
5	JAA177AFA1	Switch, Toggle for Brake

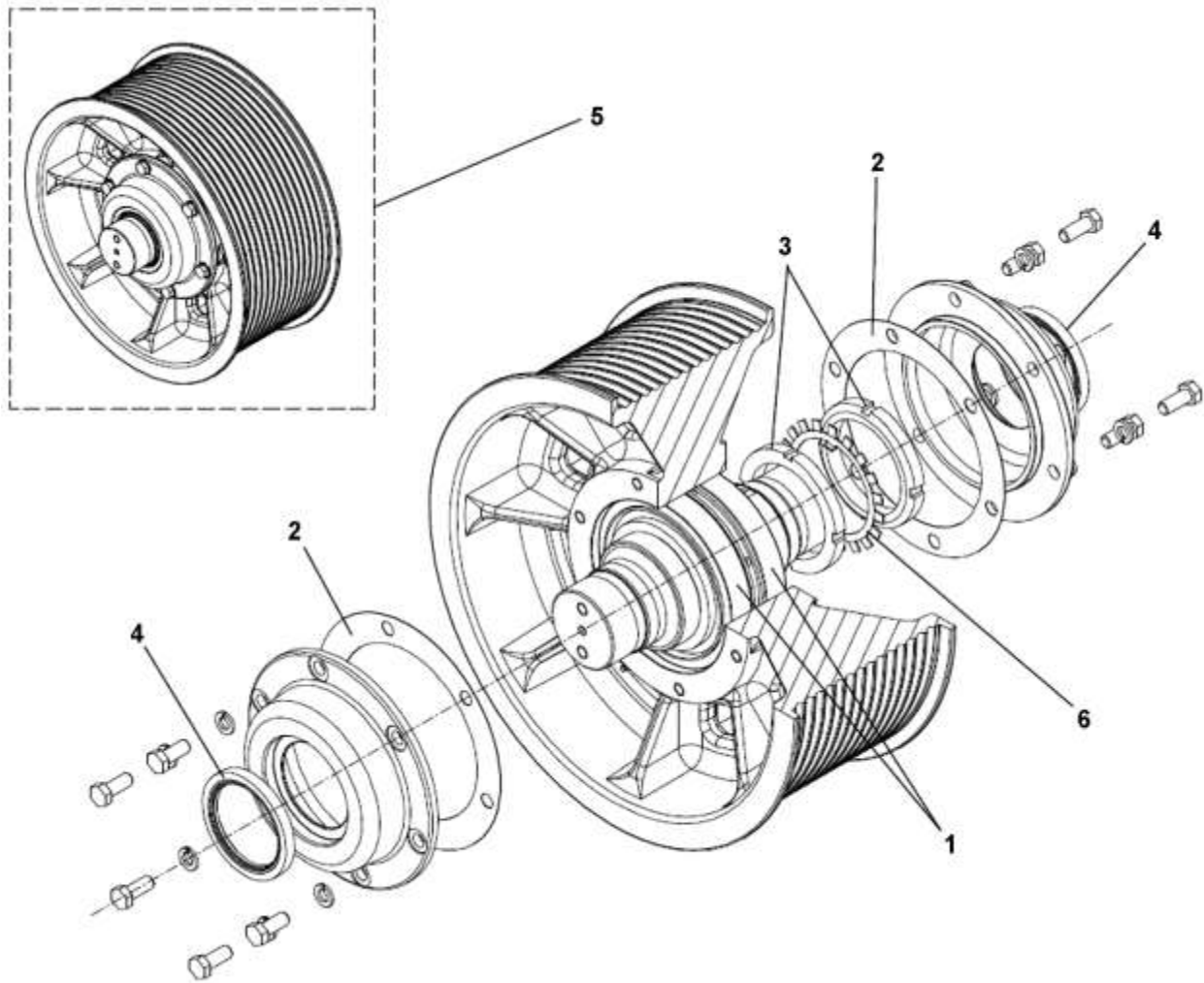


**JAA21410ABF**  
**JBA21410ABF**

	<b>1</b>	<b>2</b>	<b>3</b>	
<b>REF. No.</b>	<b>PART No.</b>			<b>DESCRIPTION</b>
1	AAA633W1	---	JAA633ABK1 JBA633ABK1 JAA633ACD1	Encoder
2	JAA129ABG1			Insulator
3	JAA129ABF1			Insulator
4	JAA72ABP1			Nut
5	JAA00033AAF001			Seal

# Secondary Sheave Assembly

06-JAA20227AAA



**JAA20830AAK**  
**JBA20830AAK**

REF. No.	PART No.	DESCRIPTION
1	JAA209ABN1	Bearing, Roller
2	JAA376AAT1	Gasket
3	BNM120X2	Nut, Bearing, M120X2
4	JAA33AAY3	Seal
5	JAA20830AAL1	Sheave, Secondary, Assembly
6	BWT120	Washer, Bearing, AW24 (Keyed Washer)