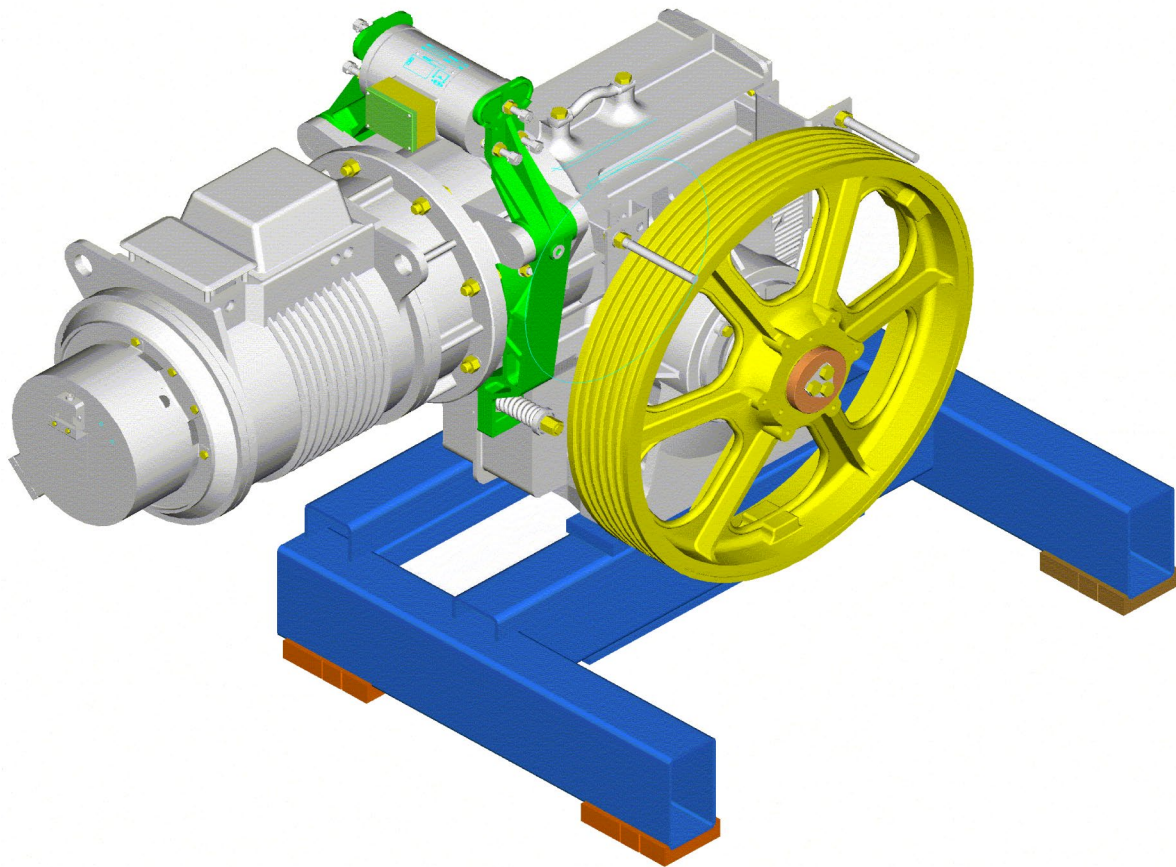


**18ATF Machine  
Worm & Gear Sets  
(NSAA Only)**

**Spare Parts Leaflet  
06-TAA20000A-NSAA  
May 10, 2005 / Page 1 of 3**



Unpublished Work—© Otis Elevator Co.; 2005

**OTIS**

**Safety First!**

**SERVICE ENGINEERING  
Otis Elevator Company  
Bloomfield, Connecticut USA**

**Leaflet Description**

This leaflet is intended as a supplement to SPL 06-TAA20000A (AKA 06-T..20000A). This leaflet provides part numbers of worm and gear sets used to repair 18ATF machines in North America. (For the rest of the world, the worm and gear is not identified as an LRU) For all other service parts for the 18ATF machine, refer to SPL 06-TAA20000A.

**Leaflet Revisions**

<b>Date Revised</b>	<b>Subject Matter Expert</b>	<b>Reason for Revision</b>
May 10, 2005	Tom Charney	New SPL

**Related Drawings**

<b>Drawing No.</b>	<b>Title</b>	<b>Drawing No.</b>	<b>Title</b>
None	---		

**Related Documents**

<b>Document ID</b>	<b>Title</b>
Type & No.	Title

**Subject Matter Expert**

<b>Name</b>	<b>Department</b>
Tom Charney	OSC Service Engineering

**About Spare Parts Leaflets...**

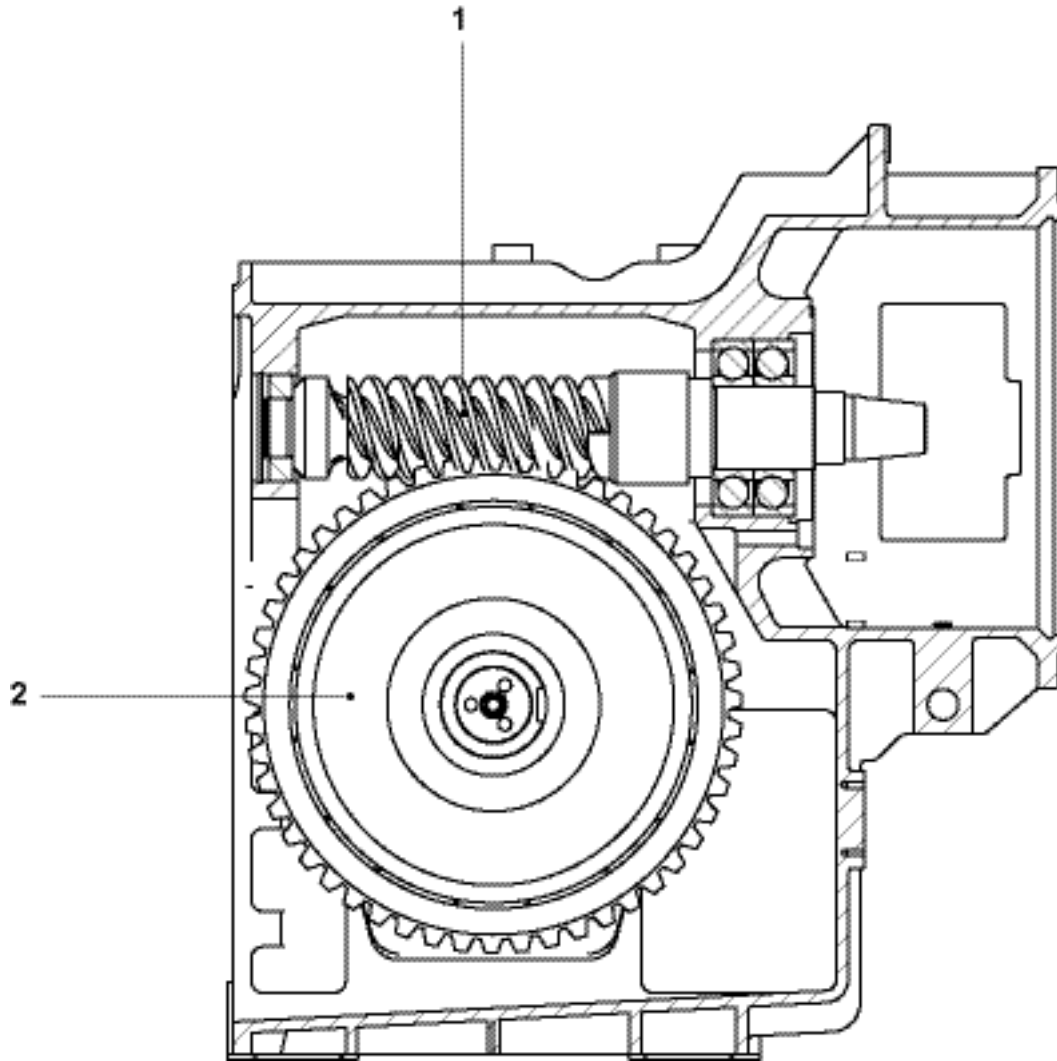
This document lists the lowest replaceable units (LRUs) for the standard version of the product. The LRUs are chosen by a team of Otis associates representing engineering and manufacturing.

While goal of this document is to make parts identification as easy as possible, the document cannot be all-inclusive. Elevator and escalator contracts classified as "special" or "custom" are not addressed here. For such contracts, please refer to specified information, the contract folder, TIPs, Field Education Articles, Construction Letters, etc. for further information.

If you have any suggestions about this document, please contact the subject matter expert listed on this page.

# Worm & Gear Sets

**06-TAA20000A-NSAA**



W/O VINTAGE			
REF. No.	PART No.	RATIO	DESCRIPTION
1 & 2	TAA490B3/TAA200B6	9:1	Set, Worm & Gear
	TAA490B1/TAA200B7	17:1	
	TAA490B2/TAA200B10	29:1	
	TAA490B6/TAA200B11	48:1	
	TAA490B7/TAA200B13	65:1	