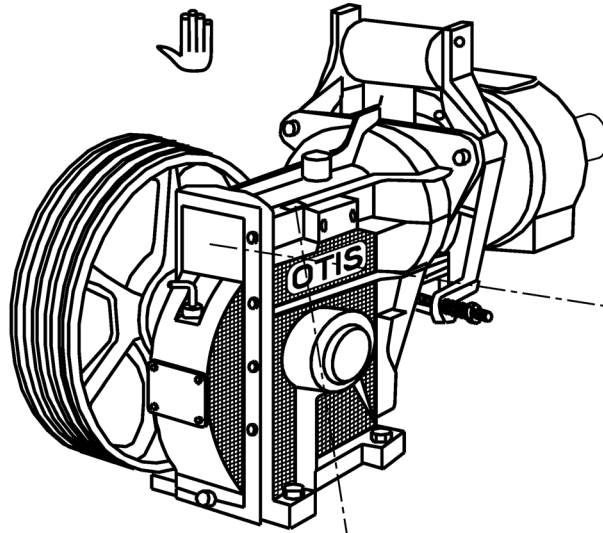


18ATF MACHINE

Spare Parts Leaflet

06-T..20000A

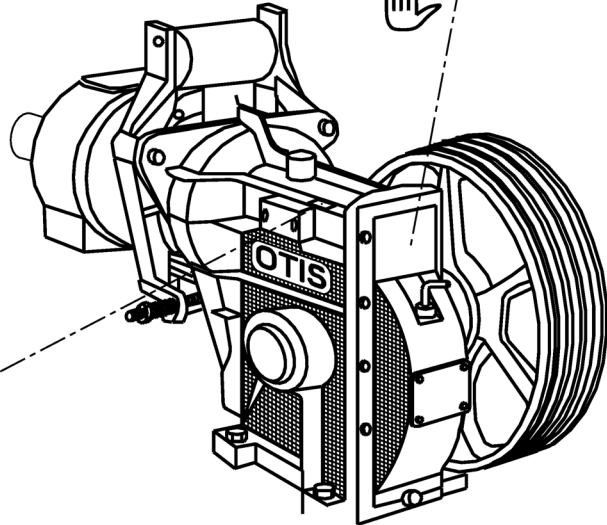
July, 2003 / Page 1 of 20



OTIS	18 ATF SER.No.....
T..20000A.....	GR.
<input type="checkbox"/> DATE	<input type="checkbox"/>
06	T-T..20000A
SYNTHETIC OIL SPEC.45 (15L)	

OTIS	18ATF GEARED MACHINE
06	T T..20000A
CONTRACT N°	_____
MACHINE SER N°	_____
GEAR RATIO	_____
OL. SPEC. 45 (15L) SYNTHETIC OIL.	
BRAKE 125 Vdc 12A.	
INSULATION CLASS F°	
AMBIENT TEMP. 50°C	
CSA B44/ASME A17.5	

OTIS	18ATF GEARED MACHINE
06	T T..20000A
CONTRACT N°	_____
MACHINE SER N°	_____
GEAR RATIO	_____
OL. SPEC. 45 (15L) SYNTHETIC OIL.	
BRAKE _____ Vdc _____ A	
INSULATION CLASS F°	
AMBIENT TEMP. 50°C	



Unpublished Work—© Otis Elevator Co.; 2003



Safety First!

**OTIS Engineering Center
Madrid
Otis Elevator Company**

Leaflet Description

On this document are included the spare parts for the 18ATF machine.

18ATF is a geared machine for the mid-rise units and duties up to 2000 kg at 1 - 1,75 m/s and 1600 kg at 2,5 m/s in 2:1 roping.

All machine vintages from TAA.. to TAD.. are covered on this leaflet.

Leaflet Revisions

Date Revised	Subject Matter Expert	Reason for Revision
July 2003	J.M. Sandoval	Updating, due to improvements on brake levers.

Related Drawings

Drawing No.	Title	Drawing No.	Title
TAE20000A	Assy. Dwg. Of Machine	TAA5390BM	Linings
TAA286AY	Brake Lever Assy.		

Related Documents

Document ID	Title

Subject Matter Expert

Name	Department
J. M. Sandoval	Geared Machines OEC-Madrid

About Spare Parts Leaflets...

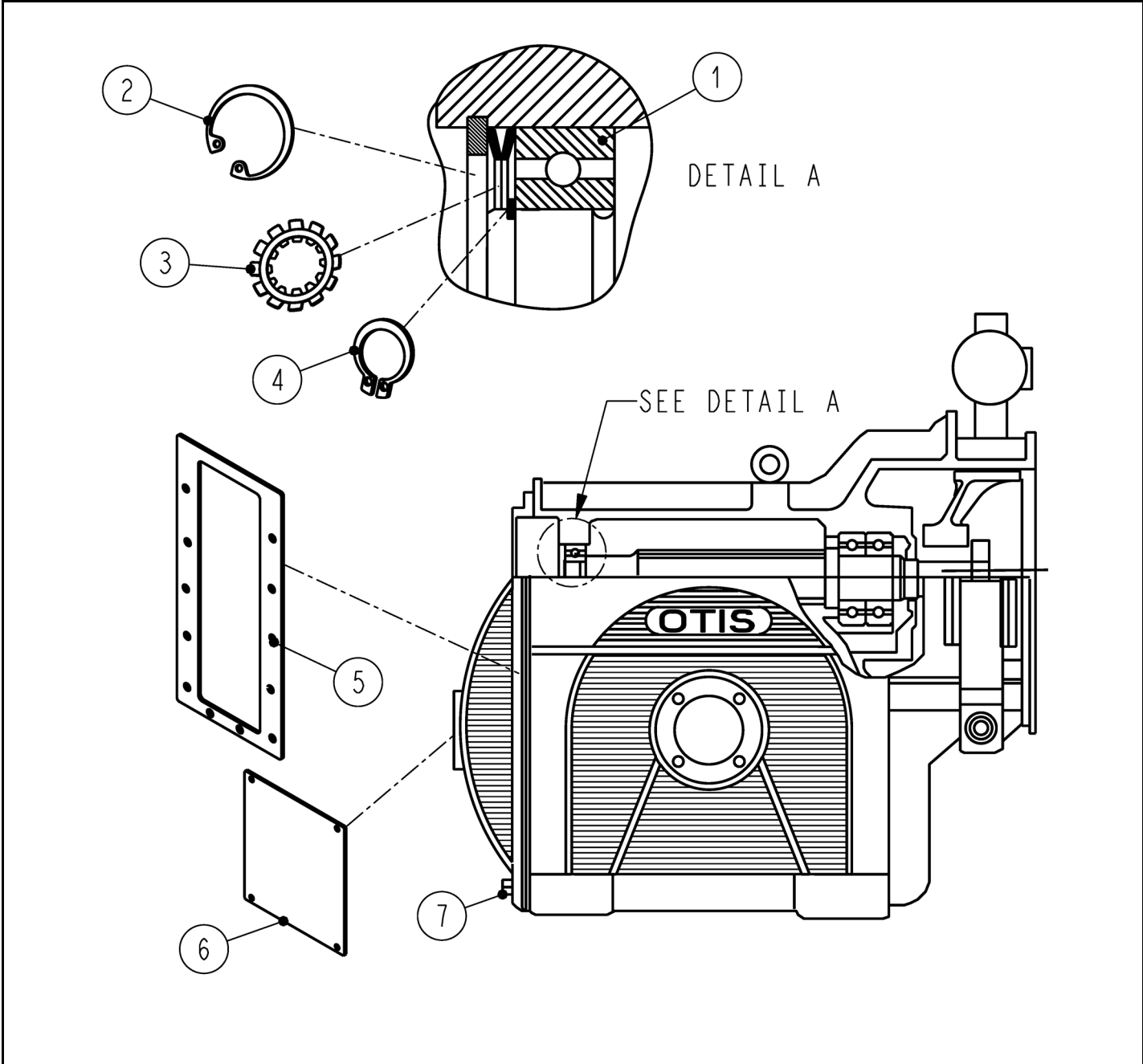
This document lists the lowest replaceable units (LRUs) for the standard version of the product. The LRUs are chosen by a team of Otis associates representing engineering and manufacturing.

While goal of this document is to make parts identification as easy as possible, the document cannot be all-inclusive. Elevator and escalator contracts classified as "special" or "custom" are not addressed here. For such contracts, please refer to specified information, the contract folder, TIPs, Field Education Articles, Construction Letters, etc. for further information.

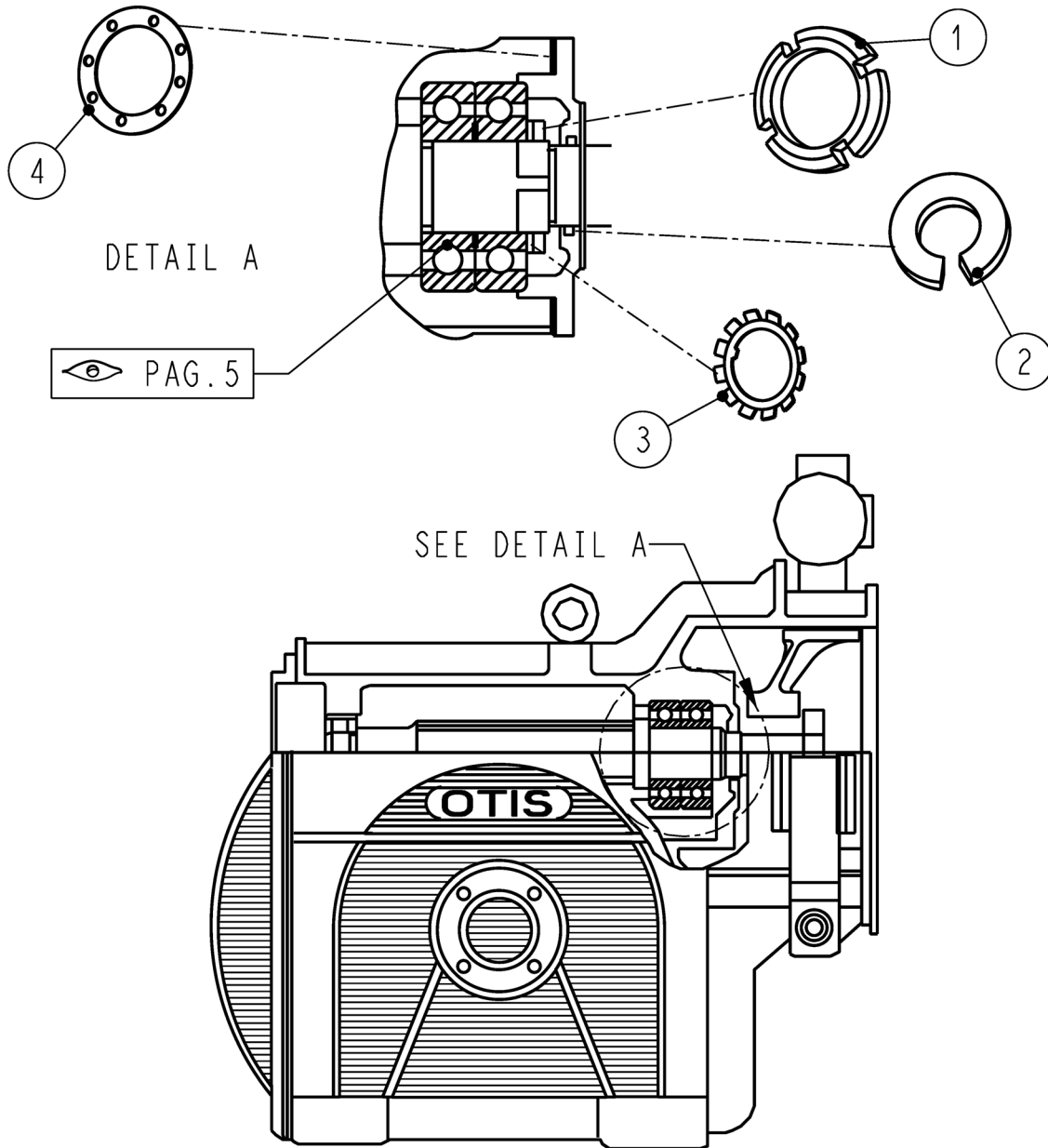
If you have any suggestions about this document, please contact the subject matter expert listed on this page.

BEARING AND FASTENING PARTS

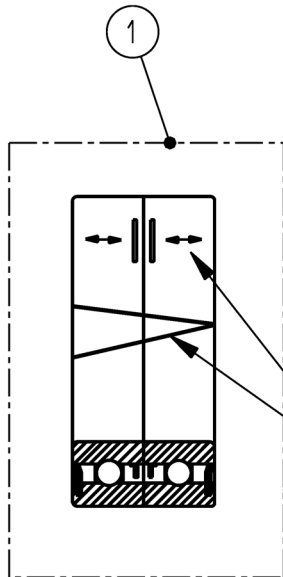
06-T..20000A



TAA/TAB/TAC/TAD/TAE20000A			
REF No.	PART or M.L.	DESCRIPTION	
1	TO207C11	BEARING	
2	COMMERC. REF.	ELASTIC RING 90 x DIN472	
3	TAA130D2	SPRING WASHER <table border="1" style="display: inline-table; vertical-align: middle;"><tr><td>ORDER</td></tr></table> 2 OFF	ORDER
ORDER			
4	COMMERC. REF.	ELASTIC RING 50x2 DIN471	
5	TAA376G1	GASKET	
6	TAA376P1		
7	TO5347A1	PLUG + WASHER	



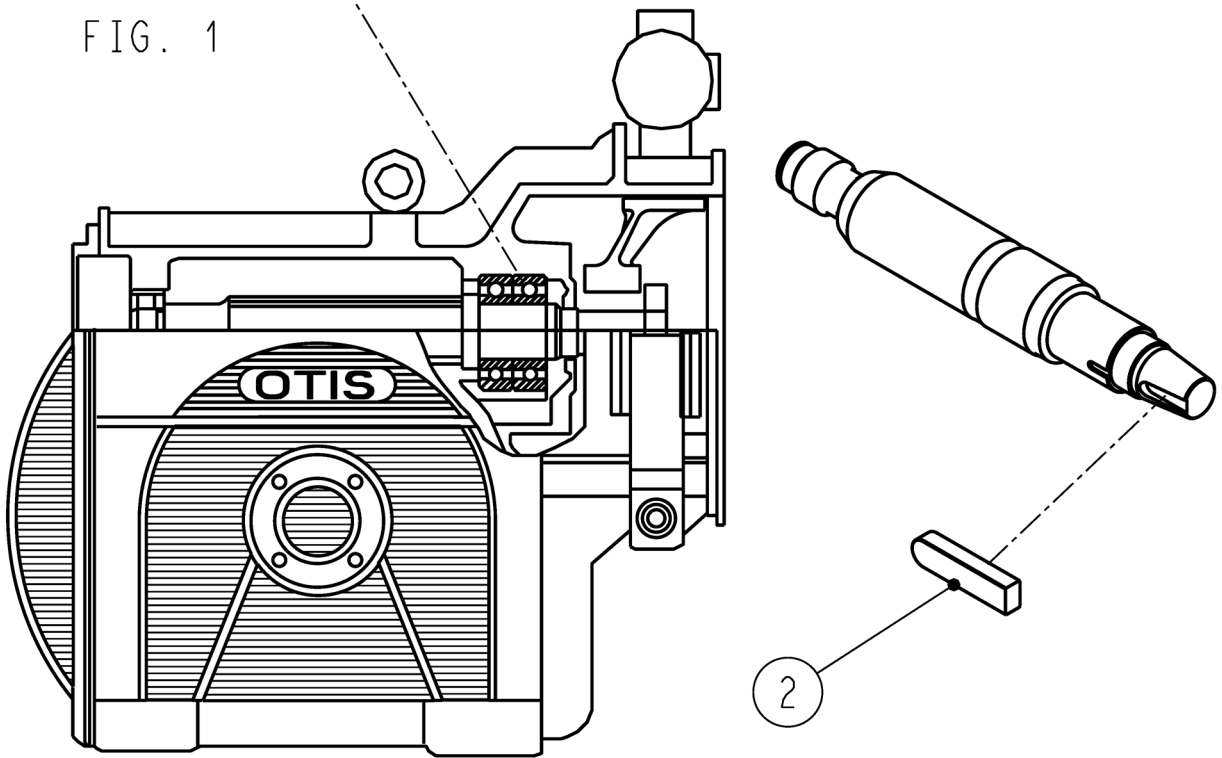
TAA/TAB/TAC20000A		TAD/TAE20000A	DESCRIPTION
REF No.	PART or M.L.		
1	TAA72C1		SPECIAL NUT
2	TAA376J1	----	FELT GASKET
3	TAA130C1		LOCK WASHER
4	TAA376D1		GASKET



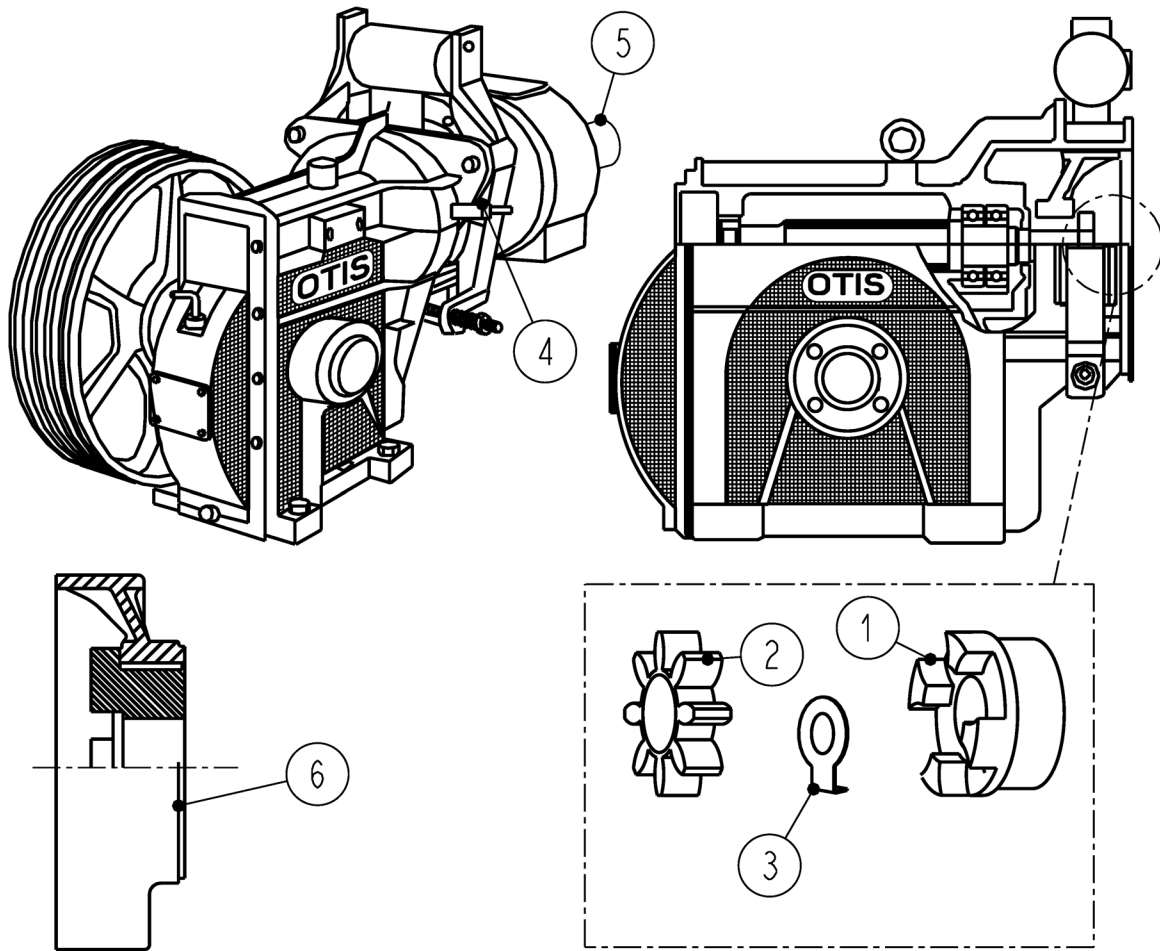
1.DESCRPTION
 THE ASSEMBLY IS MADE UP OF ONE PAIR OF RIGID BALL BEARING MANUFACTURED TO OPERATE IN TANDEM WHEN FITTED AS PER INSTRUCTIONS OF REF.2 EACH BEARING IS PROVIDED WITH PLASTIC RUBBING SEALING AND FILLED IN WITH GREASE FOR LIFE.

2.MOUNTING
 THE PAIR OF BEARINGS SHOULD BE MOUNTED AS PER SKETCH 1.

FIG. 1



TAA/TAB/TAC/TAD/TAE20000A		
REF No.	PART or M.L.	DESCRIPTION
1	TAA207F3	BEARING
2	TO192R7	KEY

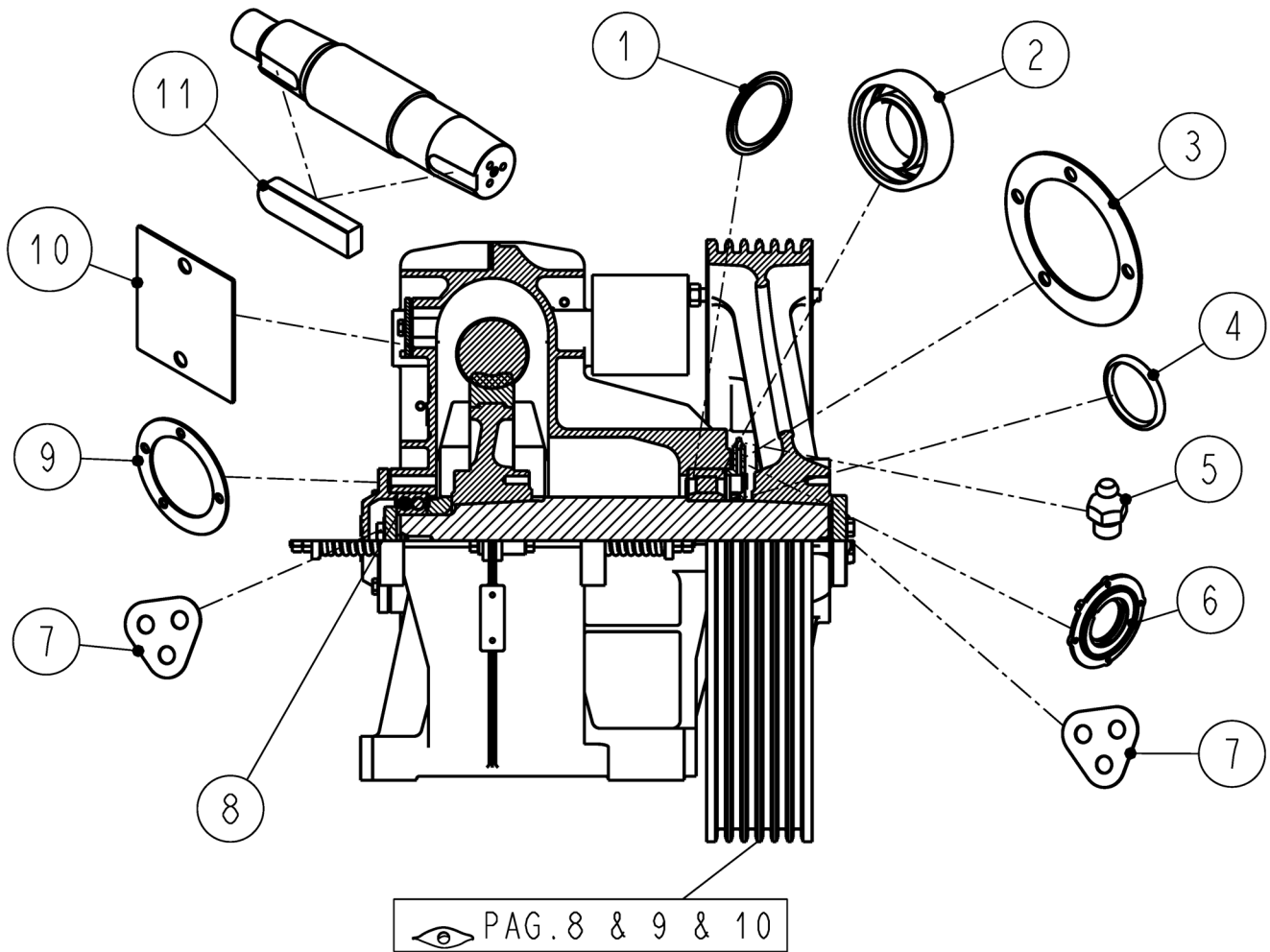


TAA/TAB/TAC/TAD/TAE20000A

REF No.	PART or M.L.	DESCRIPTION
1	TAA215F1	COUPLING FOR MOTOR SHAFT 55mm \varnothing TAPER
	TAA215F4	COUPLING ONLY FOR JAPAN 20mm \varnothing HOLE
2	TAA215F3	COUPLING (ELASTIC ELEMENT)
3	TAA130E1	TAB WASHER
4	TAA633D2	ENCODER FOR GAMMA-L AND OVF-20 UP TO 1 m/s
5	JAA633AAC2	ENCODER FOR VF SPEC60 (EUROPE)
	JAA633AAF1	ENCODER FOR SPEC 90 AND OVF-20 AT 1.6 m/s (EUROPE)
	ABA633L1	ENCODER FOR OVF-30 (NAA-PAA) THREE CHANNEL
	TAA633A1	ENCODER FOR OVF1, OVF30 (EUROPE)
6	TAA196B4	ASSEMBLED BRAKE PULLY (2 SPEED)
	TAA196B5	ASSEMBLED BRAKE PULLY (OVF20 UP TO 1 m/s)
	TAA196B6	ASSEMBLED BRAKE PULLY (OVF20 AT 1.6 m/s AND OVF30)

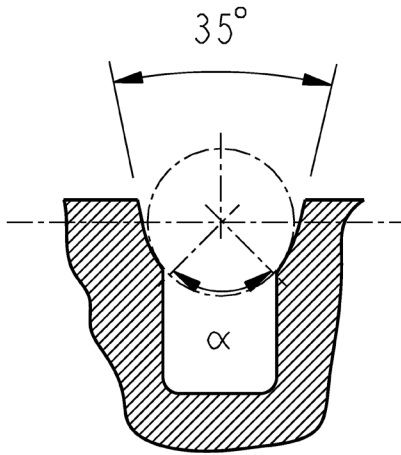
SHEAVE SHAFT PARTS

06-T..20000A

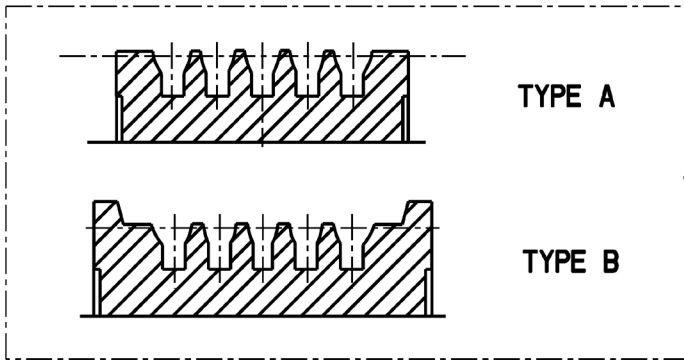
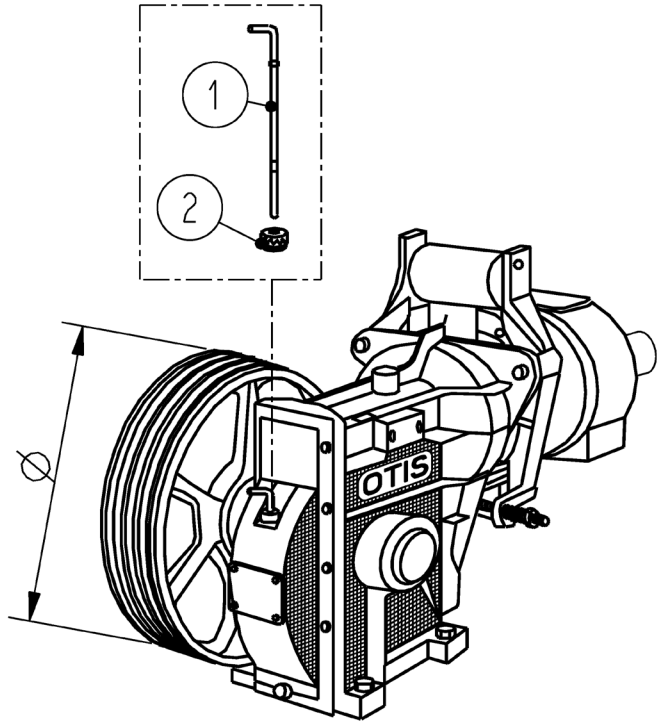


TAA/TAB/TAC/TAD/TAE20000A		
REF No.	PART or M.L.	DESCRIPTION
1	TAA346LW1	GREASE SEAL
2	TAA209A2	ROLLER BEARING
3	TAA376E1	GASKET
4	TO33A4	SEAL
5	TAA435A2	GREASER
6	TBA346P1	COVER
7	TO130J1	TAB WASHER
8	TAA207B2	BEARING (BALL DOUBLE)
9	TAA376F1	GASKET
10	TAA376H1	
11	TO192R10	KEY

DRIVING SHEAVES



SEMICIRCULAR GROOVE



TYPE A

TYPE B

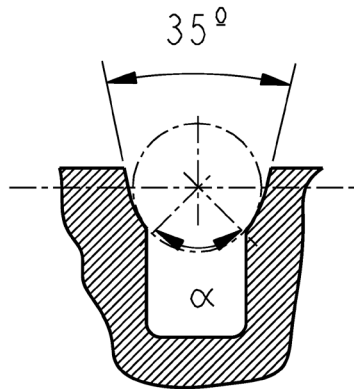
3

TAA/TAB/TAC/TAD/TAE20000A

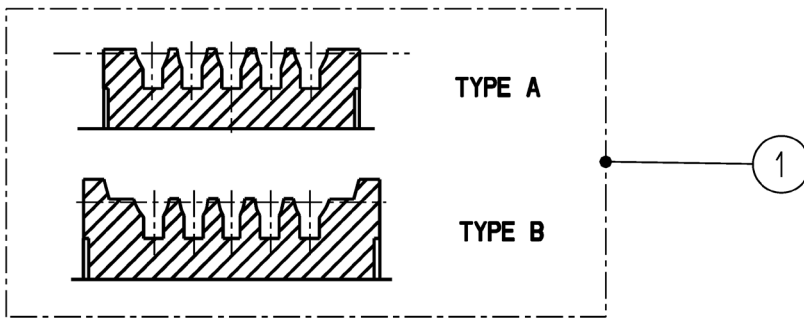
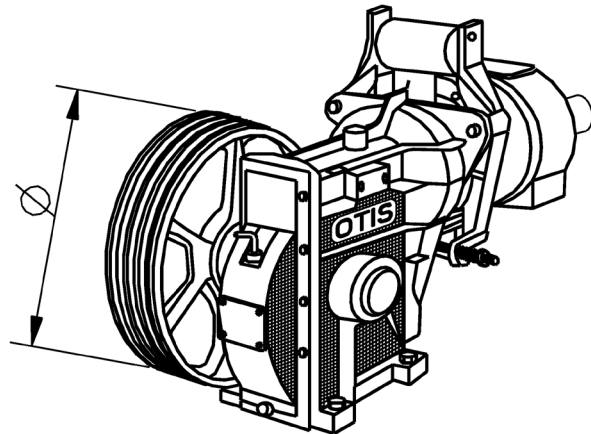
REF No.	PART or M.L.	TYPE	SHEAVE	°	n x d	DESCRIPTION
1	TAB498B1					OVERFLOW
2	TAA321R1					OIL PLUG
3	TAB260B9	A	580	90°	6 X 13	DRIVE SHEAVE
	TAB260B11				7 X 13	
	TAB260B34				4 X 13	
	TAB260B35				5 X 13	
	TAB260B44			96°	4 X 13	
	TAB260B45			5 X 13		
	TAB260B46			6 X 13		
	TAB260B47			7 X 13		

DRIVING - SHEAVES

06-T..20000A

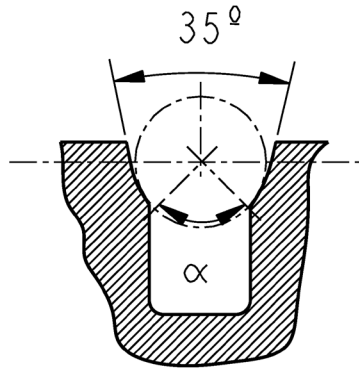


SEMICIRCULAR GROOVE

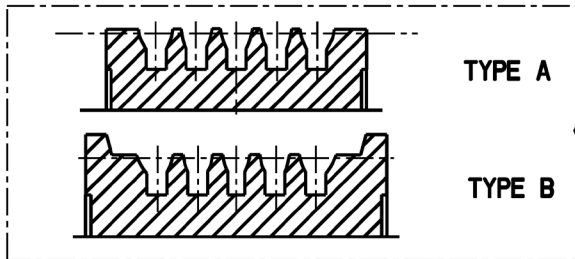
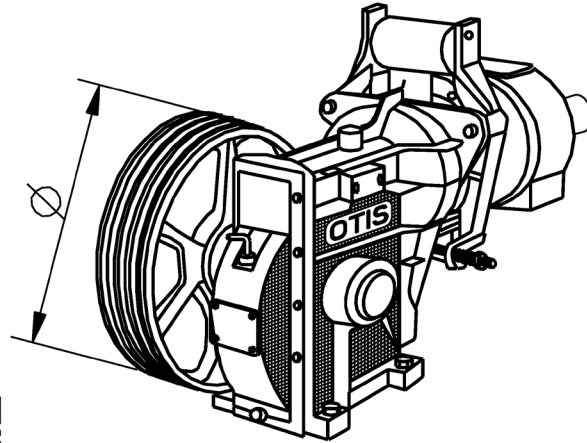


TAA/TAB/TAC/TAD/TAE20000A

REF No.	PART or M.L.	TYPE	SHEAVE	° α	n x d	DESCRIPTION
1	TAB260B3	A	580	105°	6 x 13	DRIVE SHEAVE
	TAB260B5				7 x 13	
	TAB260B28				4 x 13	
	TAB260B29				5 x 13	
	TAB260B8				6 x 13	
	TAB260B22			7 x 13		
	TAB260B24			6 x 16		
	TAB260B32			4 x 13		
	TAB260B33			5 x 13		
	TAB260B40			4 x 13		
	TAB260B41		5 x 13	96°		
	TAB260B42		6 x 13			
	TAB260B43		7 x 13			
	TAB260B56		6 x 16			
	TAB260B2		6 x 13			
	TAB260B21		7 x 13	105°		
	TAB260B23		6 x 16			
	TAB260B26		4 x 13			
	TAB260B27		5 x 13			
	TAB260B52		5 x 10			
TAB260B53	6 x 10					
			640			



SEMICIRCULAR GROOVE



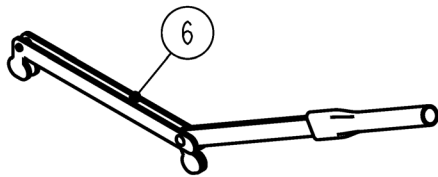
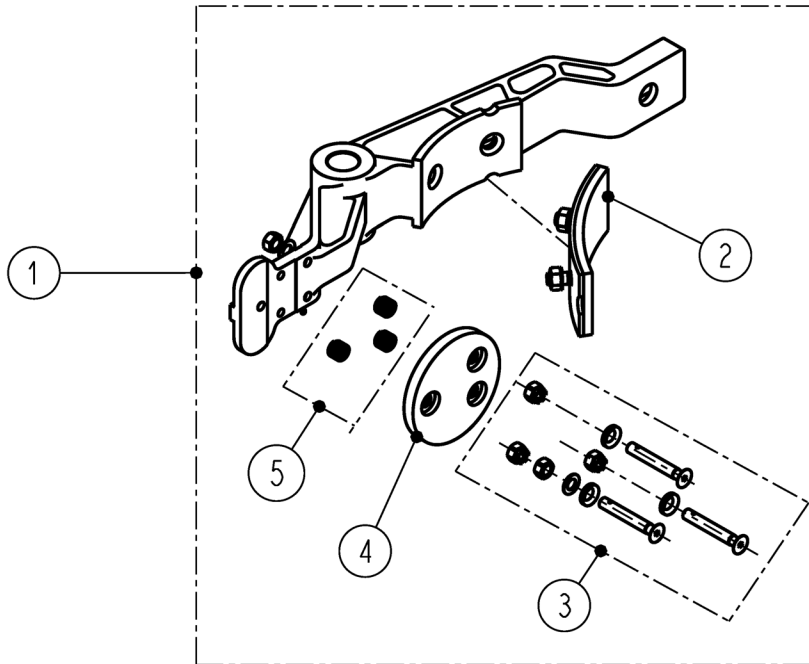
1

TAA/TAB/TAC/TAD/TAE20000A

REF NO.	PART or M.L.	TYPE	SHEAVE	α°	n x d	DESCRIPTION
1	TAB260B7	A	750	90°	6 x 13	DRIVE SHEAVE
	TAB260B18				7 x 13	
	TAB260B20				6 x 16	
	TAB260B30				4 x 13	
	TAB260B31				5 x 13	
	TAA260AE2				6 x 13	
	TAB260B36			4 x 13	96°	
	TAB260B37			5 x 13		
	TAB260B38			6 x 13		
	TAB260B39			7 x 13		
	TAB260B57			5 x 10	105°	
	TAB260B58			6 x 10		
	TAB260B1			6 x 13		
	TAB260B15			4 x 13		
	TAB260B16			5 x 13		
	TAB260B17			7 x 13		
	TAB260B19			6 x 16		
	TAB260B25			5 x 10		
	TAB260B54			6 x 10		
	TAA260AE1			6 x 13		
	TAB260B51	B	640	105°	5 x 13	
	TAB260B55				6 x 13	
	TAB260B48		750		4 x 13	
TAB260B49	5 x 13					
TAB260B50	6 x 13					

BRAKE LEVER ASSEMBLY

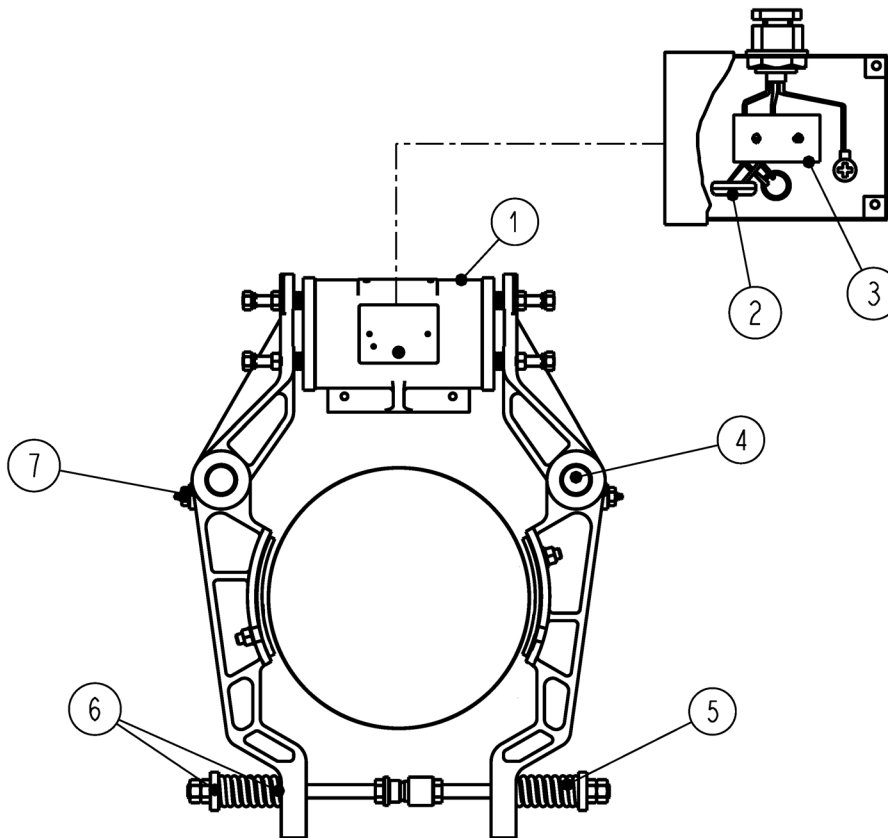
06-T..20000A



(1) LEVER WITH GLUED LINING; IN FIRST REPLACEMENT ORDER
TAB286AT1 IN NEXT REPLACEMENT JUST ORDER PARTS FOR THIS LEVER

T...20000A						
	TAA20000A	TAB20000A	TAC20000A	TAD20000A	TAE20000A	
REF No.	PART or M.L.					DESCRIPTION
1	TAA286C1	TAA286AK1		TAB286AT1	TAA286AY1	ASSEMBLY BRAKE LEVER (2sp)
		TAA286AK2		TAB286AT2	TAA286AY2	ASSEMBLY BRAKE LEVER (OVF)
2	----	TAA5390BC1			TAA5390BM1	LINING (2 UNITS) (2sp)
	----	TAA5390BC2			TAA5390BM2	LINING (2 UNITS) (OVF)
3	TAA5390B1			TAA5390AT1		SCREW & HARDWARE
4	TAA353A1			TAA353G2		DISK
5	T090BT1			TAA5390BD1		SPRING
6	TAA286AJ1					BRAKE RELEASE

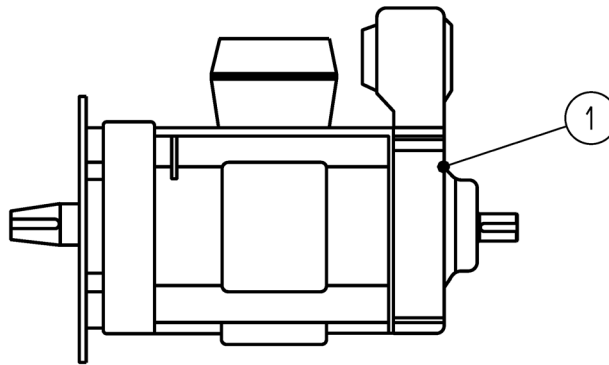
BRAKE ASSEMBLY



T...20000A					
	TAA20000A	TAB20000A	TAC20000A	TAD/TAE20000A	
REF No.	PART or M.L.				DESCRIPTION
1	TAB330W1				BRAKE MAGNET 48V. (EUROPE)
	TAB330T1				BRAKE MAGNET 60V. (EUROPE)
	TAB330C1				BRAKE MAGNET 110 125V. (EUROPE)
	TAB330C1	TAB330AJ1		BRAKE MAGNET 110-125V. (NAA)	
			TAB330AJ2	BRAKE MAGNET 110-125V.(JAPAN)	
2	TO232BB10				VARISTOR
3	LAA303SN1				TERMINAL BLOCK
4	TAA77B1		TAA77E1		PIN
5	TAA90B1	TAA90Y1			SPRING (EUROPE)
		TAA90J1			SPRING (NAA)
6	TAA321F1				BUSHING
7	-----		TAA5390BJ1		GREASER & SCREW & HARDWARE

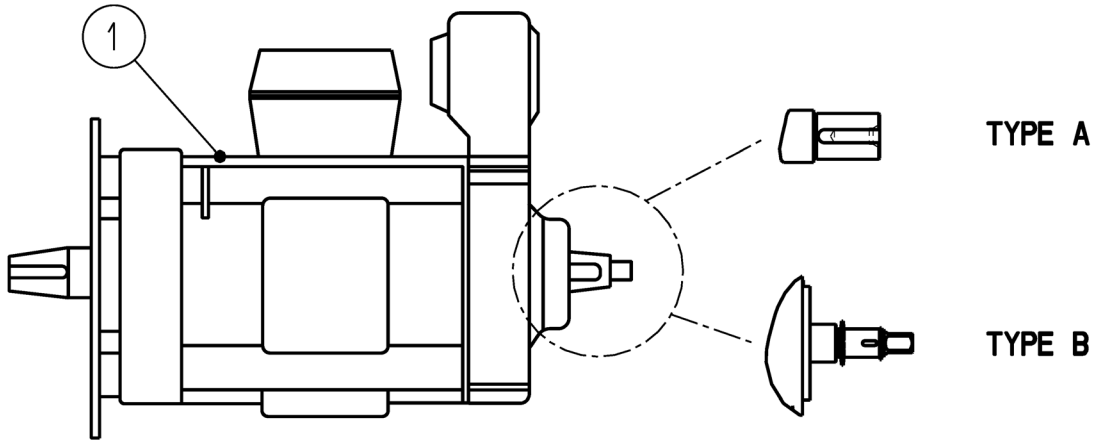
MOTORS - TWO SPEED

06-T..20000A



TAA/TAB/TAC/TAD/TAE20000A

REF No.	PART NO.	DRIVE TYPE	SUPPLIER	kw	RPM SYN.	MOTOR (V)	Hz	FORCED VENTILATION	DESCRIPTION	
1	TAA20000B1	TWO SPEED	LOHER	11	1500	220/380	50	FBE 60	MOTOR	
	TAA20000B2			15				ALDA-063 BG-04		
	TAA20000B3			21,5				AECA-071-BJ-04		
	TAA20000B5			31,5				FBE32		
	TAA20000B6			7 5				FBE 60		
	TAA20000B11			11		240/415		ALDA-063-BG-04		
	TAA20000B12			15				AECA-071-BJ-04		
	TAA20000B13			21,5				FBE 32		
	TAA20000B15			31,5				ALDA-063 BG-04		
	TAA20000B16			7,5				AECA-071-BJ-04		
	TAA20000B30			8		1000		220/380 240/415		FBE 32
	TAA20000B31			12						ALDA-063 BG-04
	TAA20000B40			8						AECA-071-BJ-04
	TAA20000B41			12						
	TAA20000B51			11		LANCOR		1500		220/380
	TAA20000B52		15	BD 19/19 M-6C						
	TAA20000B53		21	VA 180/60 M						
	TAA20000B56		8	BD 19/19 M-6C						
	TAA20000B61		11	240/415	VA 180/60 M					
	TAA20000B62		15		BD 19/19 M-6C					
	TAA20000B63		21		VA 180/60 M					
	TAA20000B66		8	230/400	VA 180/60 M					
	TAA20000B71		11		BD 19/19 M-6C					
	TAA20000B72		15		VA 180/60 M					
	TAA20000B80		8	1000	220/380			BD 19/19 M-6C		
	TAA20000B81		12					VA 180/60 M		
	TAA20000B90		8					BD 19/19 M-6C		
	TAA20000B91		12	240/415	240/415			VA 180/60 M		
	TAA20000B100		8					BD 19/19 M-6C		
	TAA20000B101		12			VA 180/60 M				
								BD 19/19 M-6C		

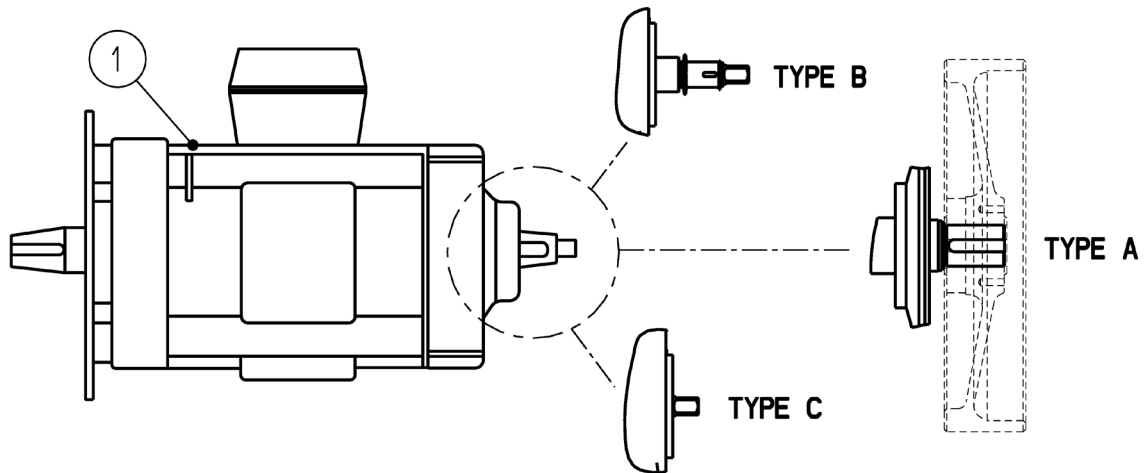


TAA/TAB/TAC/TAD/TAE20000A

REF No.	PART No	DRIVE TYPE	SUPPLIER	Kw	RPM SYN.	MOTOR (V)	Hz	FORCED VENTILATION	SHAFT TYPE	DESCRIPTION
1	TAA20000B51-L	GAMMA-L	LANCOR	11	1500	380/415	50	VA 180/60 M	---	MOTOR
	TAA20000B52-L			15				BD19/19 M-6C		
	TAA20000B53-L			21				VA 180/60 M		
	TAA20000B56-L			8						
	TAA20000B61-L			11				BD19/19 M-6C		
	TAA20000B62-L			15						
	TAA20000B63-L			21	VA 180/60					
	TAA20000B66-L			8						
	TAA20000880-L			8	1000	380/415	50	BD19/19 M-6C		
	TAA20000B81-L			12				VA 180/60 M		
	TAA20000B90-L			8		220/240		BD19/19 M-6C		
	TAA20000B91-L			12						
	TAA20000C51	TWO SPEED		8.5	2000	208/360	60	V180/60M	A	
	TAA20000C52			11.8				BD19/9 M-6C		
	TAA20000C53			15.75				V180/60M		
	TAA20000C61			8.5		BD19/9 M-6C				
TAA20000C62	11.8									
TAA20000C63	15.75			220/380						

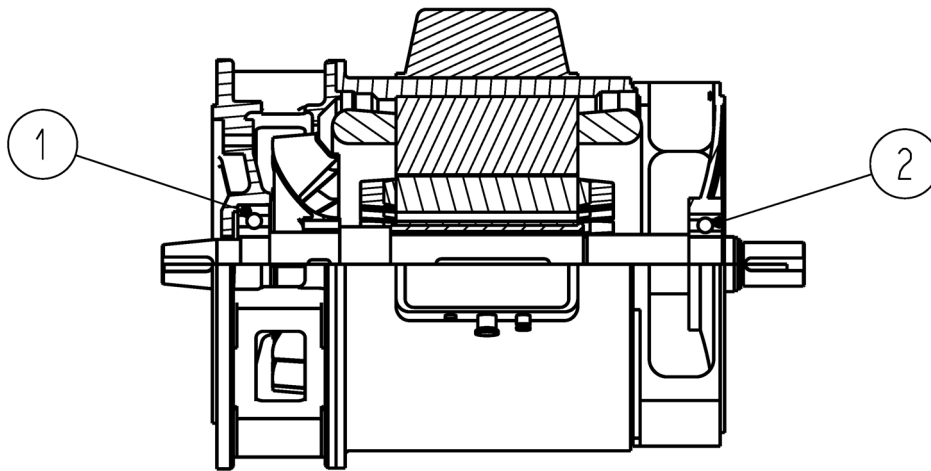
MOTORS - VF

06-T..20000A



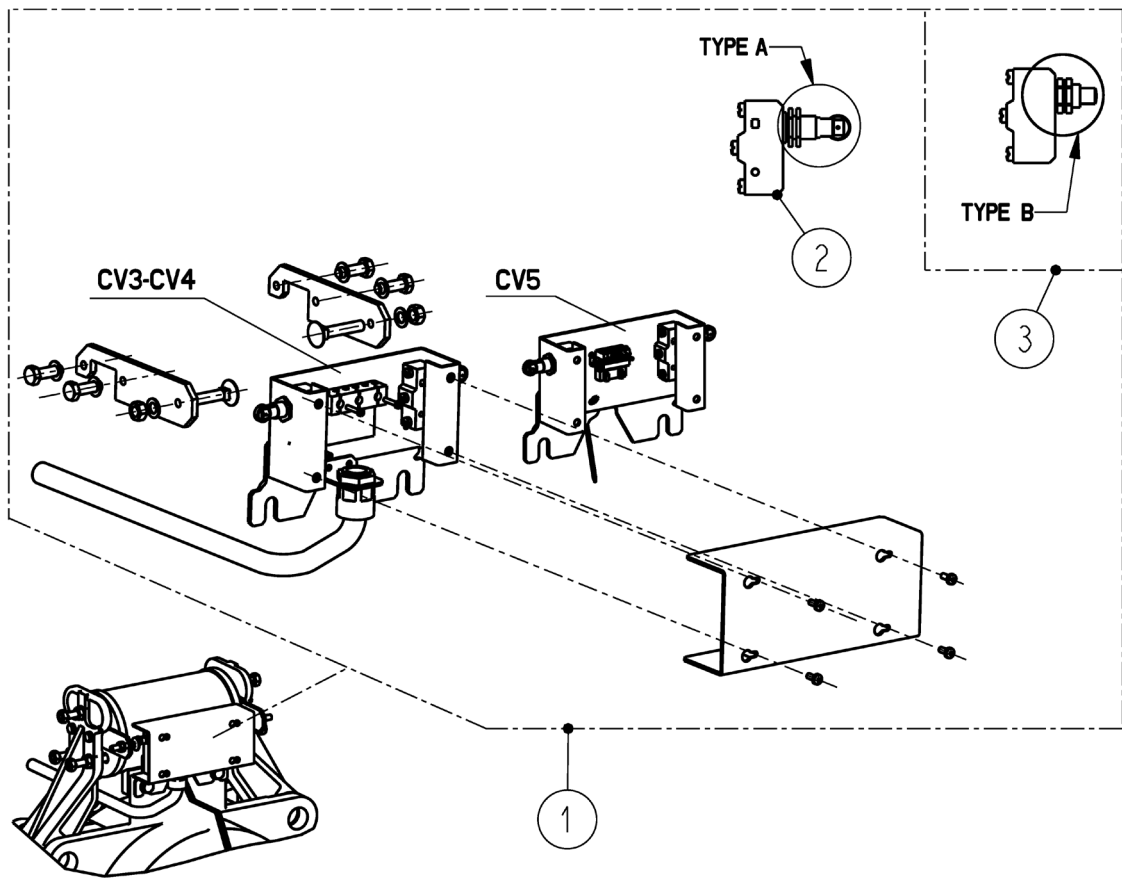
TAA / TAB / TAC / TAD/TAE20000A

REF No.	PART No	MOTOR SIZE	DRIVE TYPE		SUPPLIER	Kw	RPM SYN.	MOTOR (V)	Hz	SHAFT TYPE	DESCRIPTION			
1	TAA20000D12	V225	VF	SPEC 60	EUROPE	22	1530	150	51	B	MOTOR			
	TAA20000D13							260						
	TAA20000D14							300						
	TAB20000E16							22				1530	290	51
	TAB20000E17											1170		39
	TAB20000E18											1530		51
	TAB20000E19		32	1170	39									
	TAA20000E28		O VF30	NAA	RE IVAJ	26	1530	380	51	B				
	TAA20000E29					27	1170	380	39					
	TAB20000E30											170		
	TAB20000E31					PAA	320	18.5	1500			380	50	
	TAB20000E32												31	
	TAB20000E35	V180				O VF30	NAA	RE IVAJ	26			1530	170	51
	TAB20000E36		20	930	380				31					
	TAB20000E37									26		1530	50	
	TAB20000E38		18.5	1500	170				31					
	TAB20000E39									20		930	51	
	TAB20000E40		26	1530	320				50					
	TAB20000E45					31								
	TAB20000E47		O V F20	PAA	RE IVAJ	15	1500	220/380	50	A				
	TAB20000G2					9				B				
	TAB20000G3					15				C				
	TAB20000G4					9								
	TAB20000G7					9				B				
	TAB20000G6	15												
	TAB20000G5	26	1530	51	B									



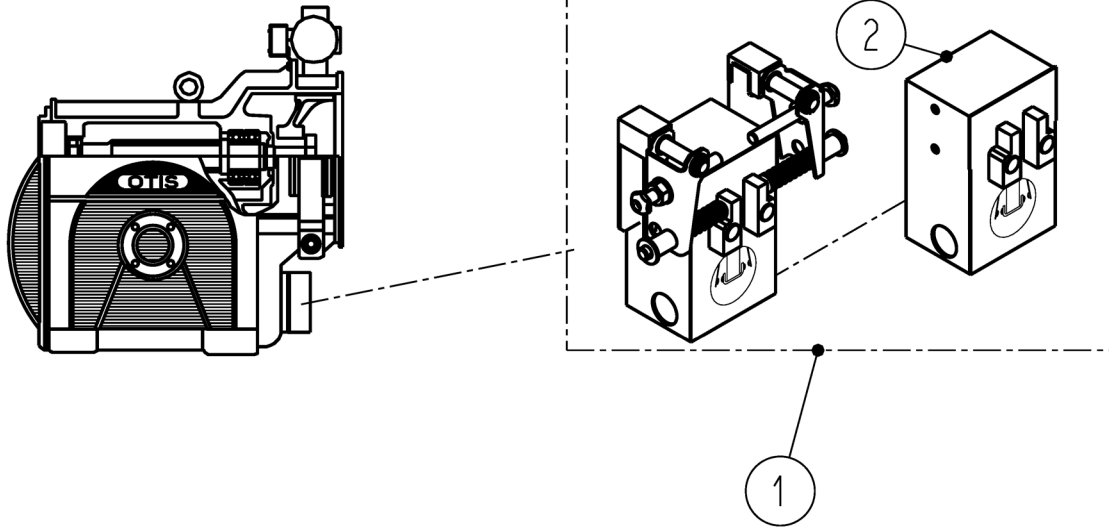
TAA/TAB/TAC/TAD/TAE20000A

REF No.	PART or M.L.	MOTOR SIZE	W →	DESCRIPTION
1	6312-2RS	V180 V225	TAA/TAB20000D/E/G	BEARING
2	6210-2RS	V180		
	6312-2RS	V225		



● SELECT TYPE AS PER THE PART ON FIELD

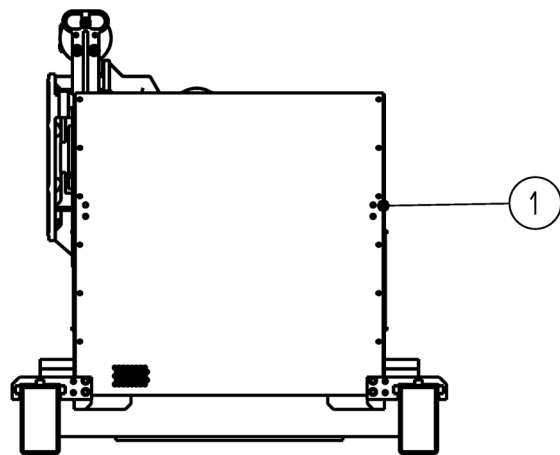
T..20000A					
	TAA20000A	TAB20000A	TAC20000A	TAD/TAE20000A	
REF No.	PART or M.L.			COUNTRIES	DESCRIPTION
1	TAA5300CV3			NAA	BRAKE SWITCH ASSEMBLY
	---	● TAA5300CV4		EUROPE	BRAKE SW. WITH TERMINAL BLOCK & CABLES TO THE MOTORS
	---	---	TAA5300CV5●		BRAKE SW. WITH CONNECTOR & W/O CABLES TO THE MOTORS
2	---	● TAA177AN1		EUROPE	SWITCH TYPE A (WITH ROLLER)
3	---	● T0177AH1	---	NAA...	SWITCH TYPE B



T...20000A					
	TAA20000A	TAB20000A	TAC/TAD/TAE20000A		
REF No.	PART or M.L.			COUNTRIES	DESCRIPTION
1	---	---	TAA5300BX5	JAPAN	SWITCH STANDARD WITH MACHINE
	TAA5300BX6				SWITCH RETROFIT + FASTENING PARTS
2	TYJX6931A2				SWITCH

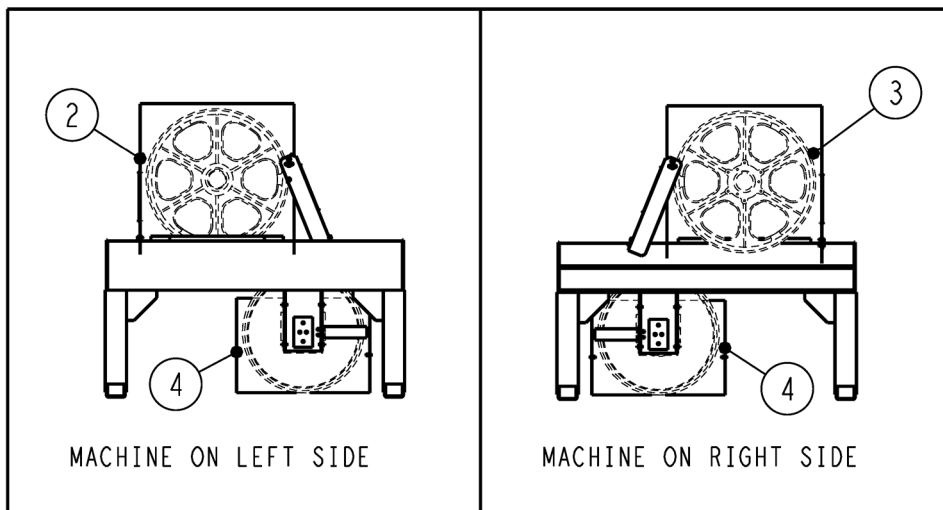
SHEAVES PROTECTORS

06-T..20000A



TYPE I

TYPE II



TAA/TAB/TAC/TAD/TAE20000A

REF No.	PART or M.L.	TYPE	DESCRIPTION
1	TAB5300DF4	---	SHEAVE GUARD
2	TAB5300DF5	I	
3	TAB5300DF6	II	
4	TAB5300FN4	I & II	

INTERCHANGEABLE PARTS

INTERCHANGEABLE PARTS					
PART	PART NUMBER			DIFFERENCES BETWEEN PARTS	INTERCHANGEABILITY
	LIVERPOOL AAA20000A	SPAIN TAB/TAC...	SPAIN TAD/TAE...		
BEARING	T0207C5	T0207C11		INTERCHANGEABLE	SPAIN ↔ LIVERPOOL
THRUST BEARING	T0207B3	T0207B3	TAA207F3	WASHER BETWEEN PARTS	
NUT	L072BP12	TAA72C1		INTERCHANGEABLE	
WASHER	L0130F14	TAA130C1		INTERCHANGEABLE	
MOTOR COUPLING	TAA215A2/A4	TAA215F1 /F3		CHANGED TO STEEL AND "GS" QUALITY	
OIL PLUG	LAA444AH1	TAA321R1		CREATED BY LIVERPOOL LAA... EQUIVALENT TAA..	
BRAKE COIL	LAA222AK1	TAB330C1		EQUIVALENT	
BRAKE PULLEY	TAA196B1	TAA196B4/5/6		CHANGE OF COUPLING	
BRAKE VARISTOR	G0232AD6	T0232BB10		INTERCHANGEABLE	