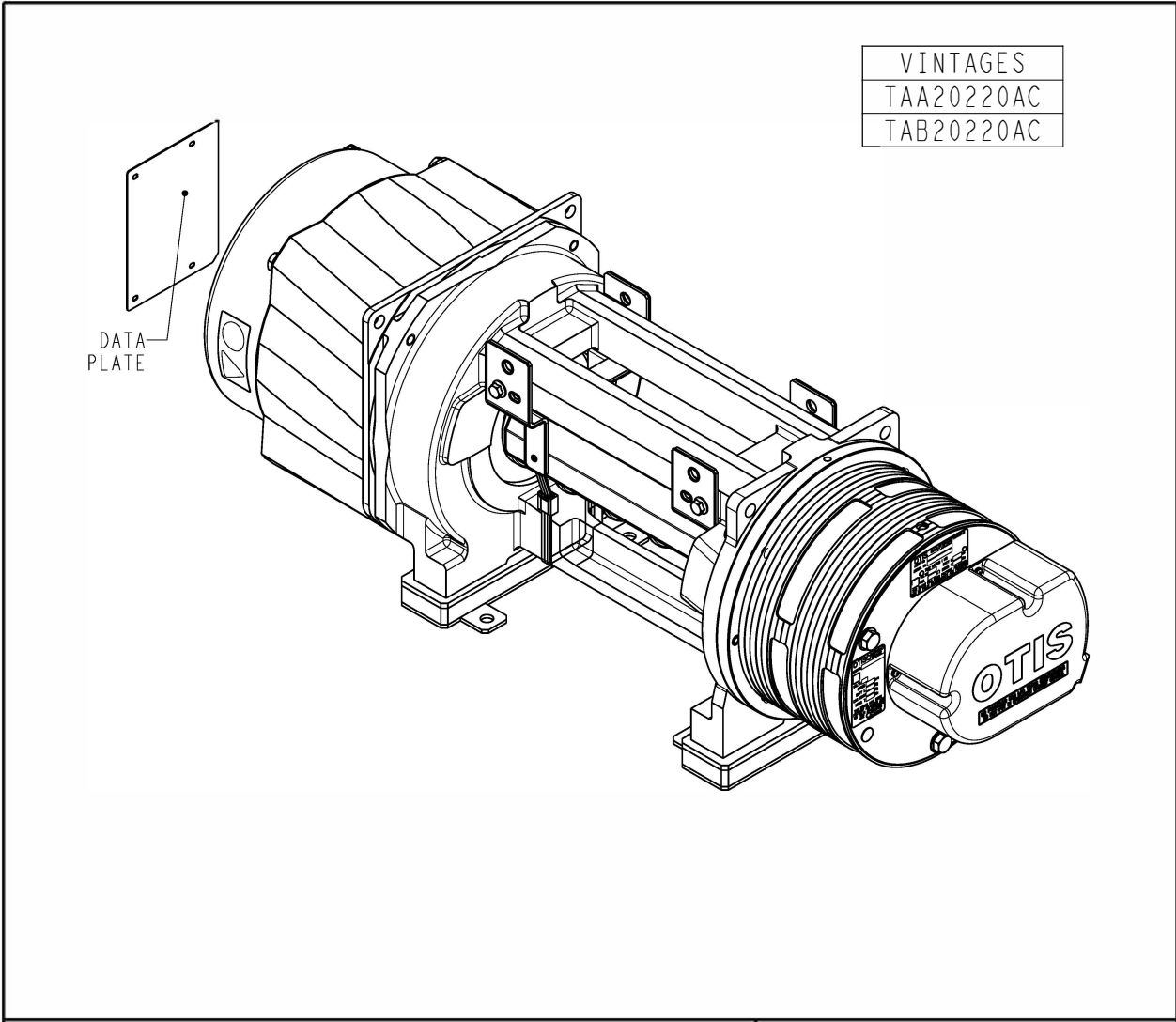


**Gearless Gen2 Machine
2.6-3.2T ANSI Series**

Spare Parts Leaflet

06-TAA20220AC

DEC 2017 / Page 1 of 7



Unpublished Work © Otis Elevator Co., 2003



Safety First!

**OTIS Engineering Center
Madrid
Otis Elevator Company**

History

06-TAA20220AC

Leaflet Description

This leaflet provides spare parts information for the Gearless Machine, type T..20220AC. This gearless machine is designed specifically for the 2.6T and 3.2T GEN2 ANSI series machine roomless elevator system.

Leaflet Revisions

Date Revised	Subject Matter Expert	Reason for Revision
June 2011	J.M.SANDOVAL	CHANGE ON PAGE 5. REF. 5 ADDED PART TAA130BA1
Sept 2012	J.M.SANDOVAL	UPDATE SPL. ADDED ASSEMBLY TAA20220AC4 (PHOENIX)
Dec 2012	J.M.SANDOVAL	UPDATE SPL WITH NEW ARRANGS
June 2014	J.M.SANDOVAL	UPDATE SPL WITH NEW ARRANGS TAB
Dec 2017	S. GIL	NEW BELT RETAINER (SEE PAGE 7)

Related Drawings

Drawing No.	Title	Drawing No.	Title
TAA20220AC	2.6-3.2T ANSI MACHINES		
TAB20220AC	2.6-3.2T ANSI MACHINES		

Related Documents

Document ID	Title

Subject Matter Expert

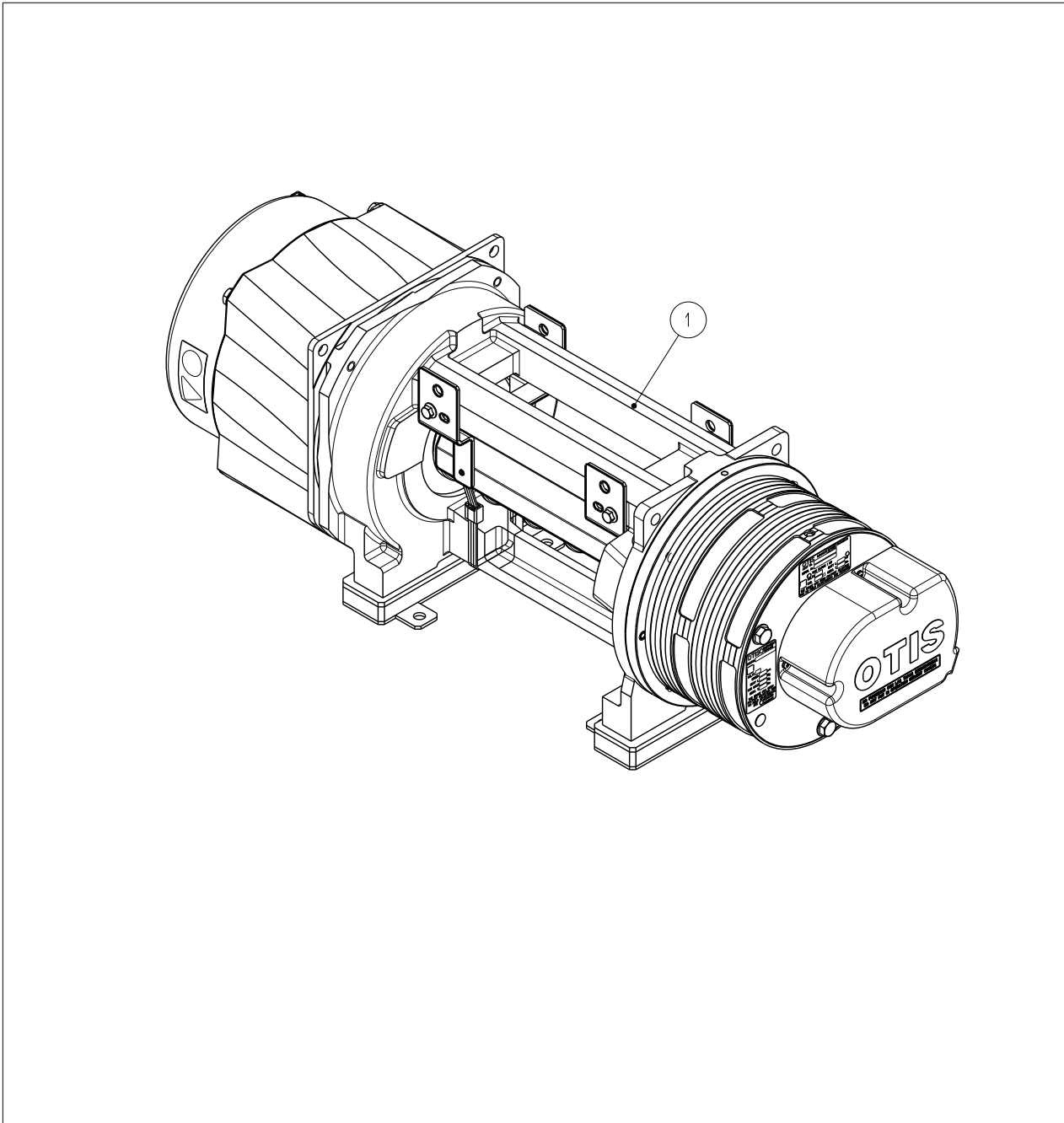
Name	Department
J.A. ILLAN	OEC MADRID

About Spare Parts Leaflets ...

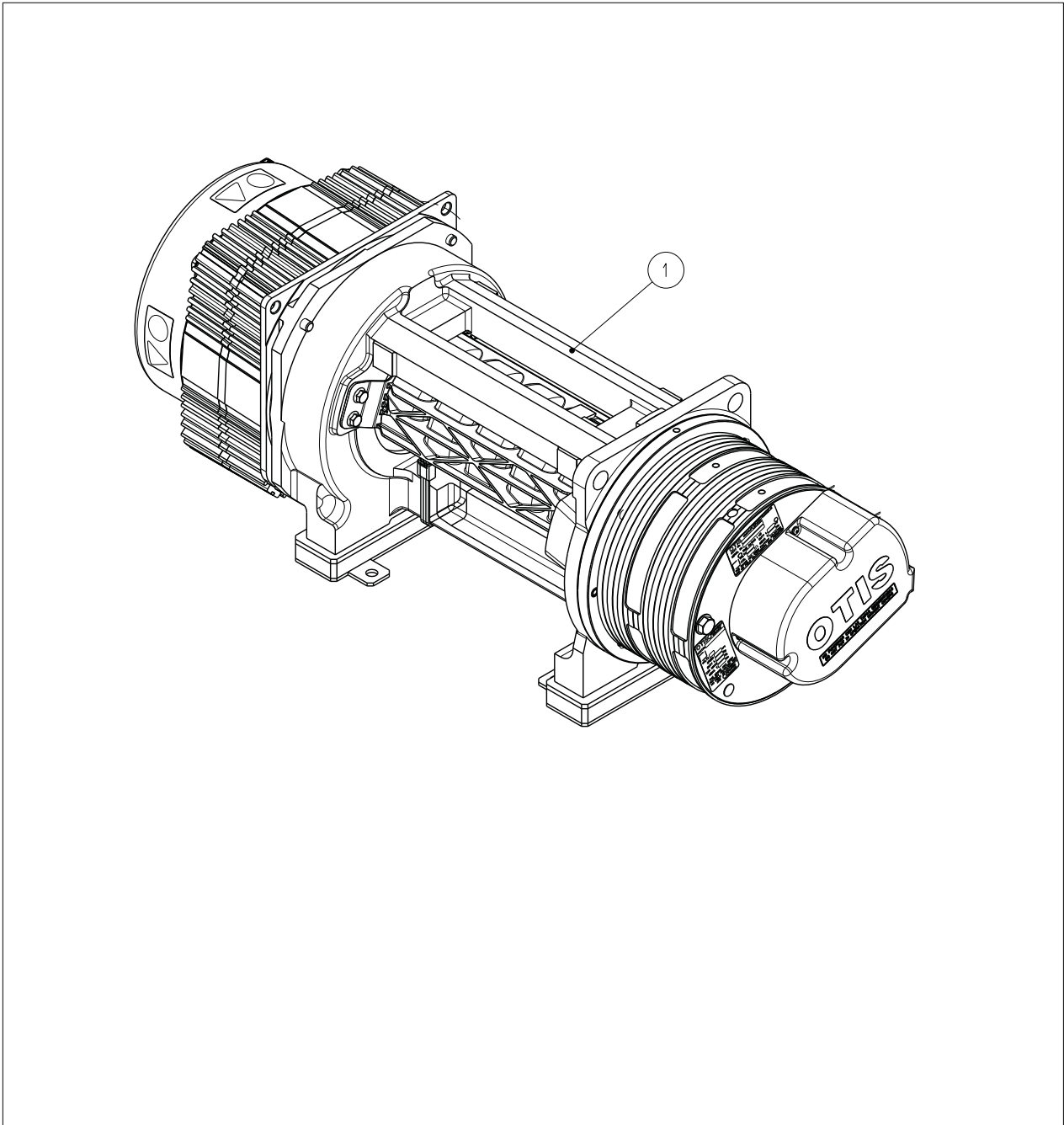
This document lists the lowest replaceable units (LRUs) for the standard version of the product. The LRUs are chosen by the team of Otis associates representing engineering and manufacturing.

While goal of this document is to make parts identification as easy as possible, the document can not be all-inclusive. Elevator and escalator contracts classified as "special" or "custom" are not addressed here. For such contracts, please refer to specified information, the contract folder, TIPs, Field Education Articles, Construction Letters, etc. for further information.

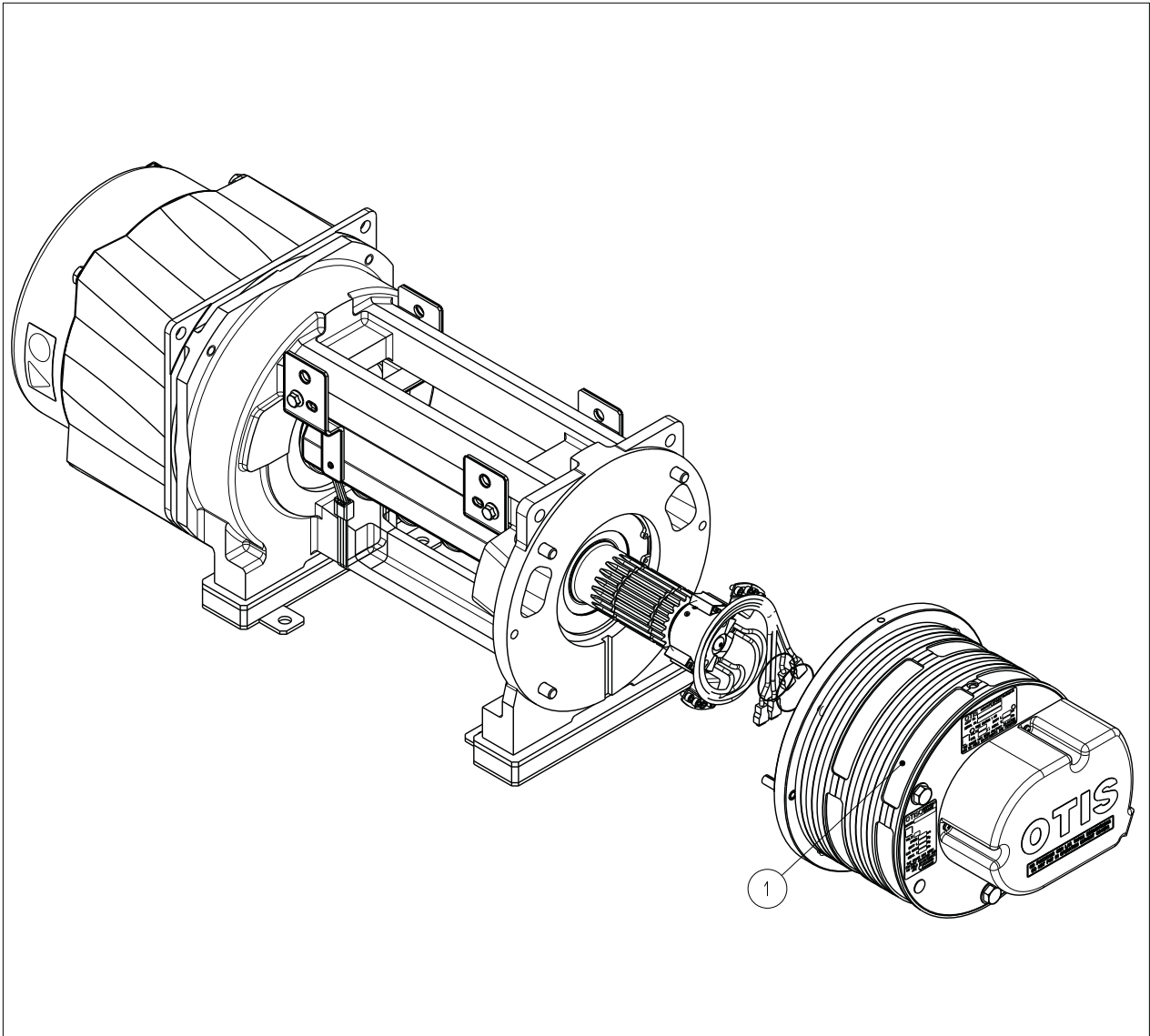
If you have any suggestions about this document, please contact the subject matter expert listed on this page.



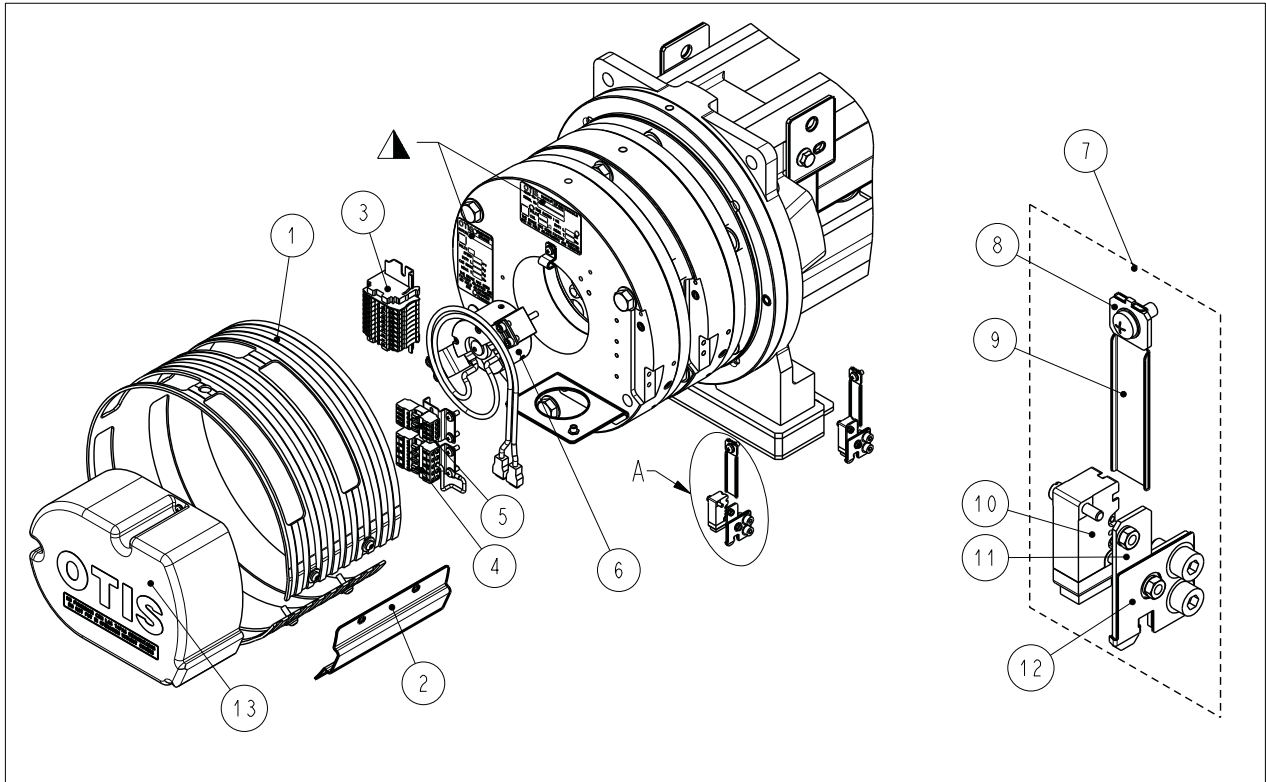
REF. N ^o	PART No		DUTY (kg)	SPEED (m/s)	DESCRIPTION	REMARKS
	CANCELLED	NEW EQUIVALENT				
1	TAA20220AC1	TAA20220AC11	1135	1.02	Machine Assembly	MACHRAT 2.6T-54x2
	TAA20220AC2	TAA20220AC12	1135	1.78		MACHRAT 2.6T-57x2
	TAA20220AC3	TAA20220AC13	1600	1.02		MACHRAT 3.2T-54x3
	TAA20220AC4	TAA20220AC14	1600	1.78		MACHRAT 3.2T-56x1



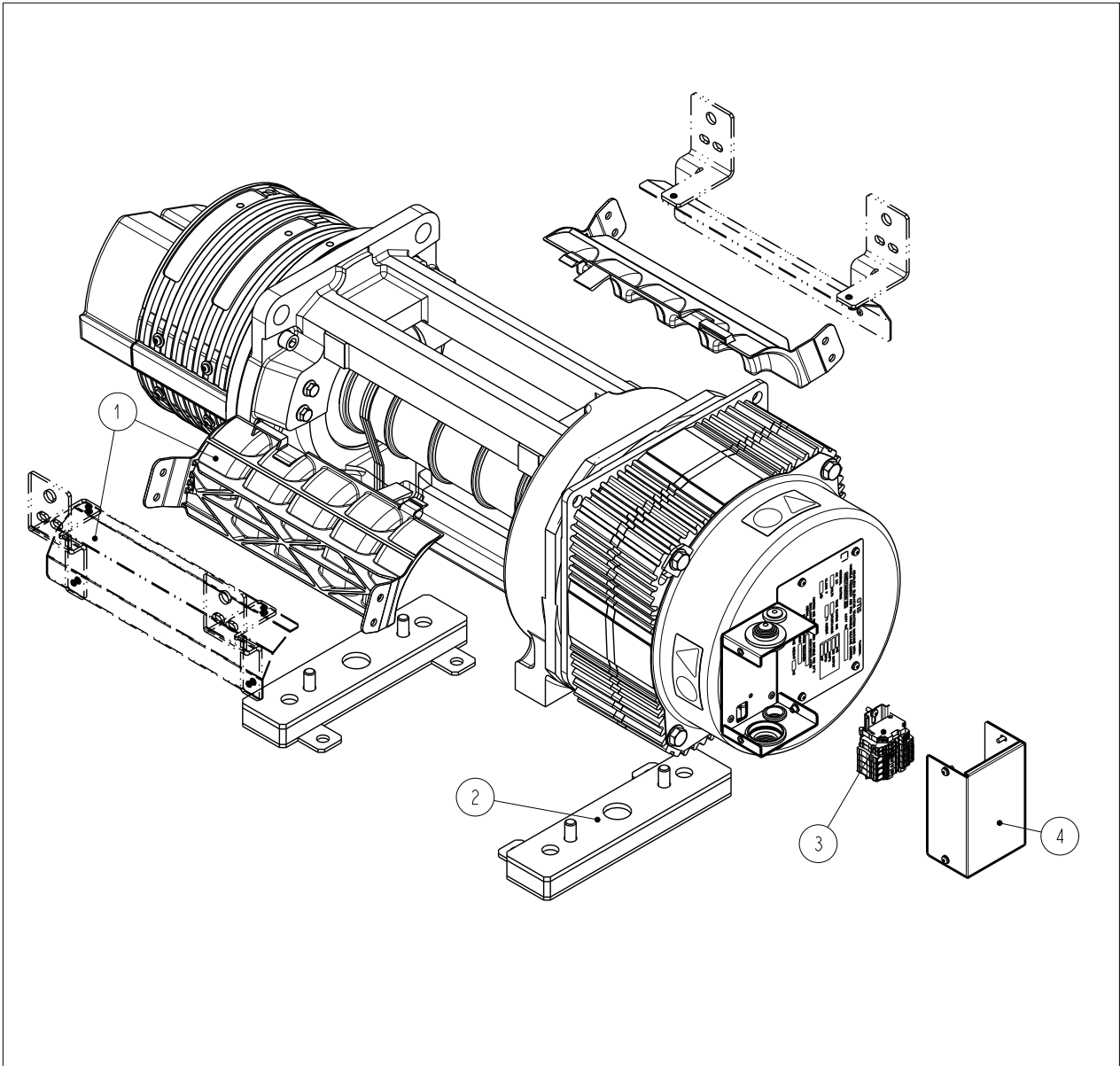
REF. N ^o	PART No	DUTY (kg)	SPEED (m/s)	DESCRIPTION	REMARKS
1	TAA/TAB20220AC11	1135	1.02	Machine Assembly	MACHRAT 2.6T-54x2
	TAA/TAB20220AC12	1135	1.78		MACHRAT 2.6T-57x2
	TAA/TAB20220AC13	1600	1.02		MACHRAT 3.2T-54x3
	TAA/TAB20220AC14	1600	1.78		MACHRAT 3.2T-56x1



REF N°	PART No		+ HARDWARE	DESCRIPTION	APPLICATION
	CANCELLED	NEW EQUIVALENT			
1	TAA20236N403	TAB20236N403	(4) ISO4762M12x35 + (4) TAA130AT3 + (2) ISO8752-10x40 + (2) TAA172AH10 + (2) DIN580M8	Full Brake	TAA20220AC1 and TAA20220AC2
	TAA20236N404	TAB20236N404			TAA20220AC3
	TAA20236N11	TAB20236N11			TAA20220AC4
1	TAA20236N3	TAB20236N3	(4) ISO4762M12x35 + (4) TAA130AT3 + (2) ISO8752-10x40 + (2) TAA172AH10 + (2) DIN580M8	Full Brake	TAA/TAB20220AC11 and TAA/TAB20220AC12
	TAA20236N4	TAB20236N4			TAA/TAB20220AC13
	TAA20236N11	TAB20236N11			TAA/TAB20220AC14



REF N°	PART No	+ HARDWARE	DESCRIPTION	APPLICATION
1	TAA384NV1	(4) ISO14583M5x16 + (4) ISO7093M5	Brake Cover	TAA/TAB20220AC1-AC2-AC3 AC11-AC12-AC13
	TAA384NV2			TAA/TAB20220AC4-AC14
2	TAA347AXJ1			TAA/TAB20220AC1-AC2-AC3 AC11-AC12-AC13
	TAA347AXJ2			TAA/TAB20220AC4-AC14
3	TAA303AAP1	(2) ISO7045M4x10-Z3	Brake connector and Switch connector	TAA20220AC... with Brake TAA20236N... (See ▲)
4	TAA176AFP1 TAA176AFP2	---	Brake connector	TAA/TAB20220AC... with Brake TAB20236N... (See ▲)
5	TAA176AFP3 TAA176AFP4	---	Switch connector	
6	AAA633AJ402	Included Service Kit to Assembly and remove Encoder	Encoder	TAA/TAB20220AC... all
7	TAA27076AQL1	Included	Switches Setup	
8	TAA339DE1	(1) ISO7045M4x10-Z3 +	Clip	
9	TAA288ND1		Lever	
10	TAA177DT1	(2) ISO1207M3x16 + (2) DIN6798A-M3 + (2) ISO4032M3	Switch	
11	TAA316CCY1	(2) ISO4762M5x10 + (2) DIN137BM5 +	Bracket	
12	TAA130BA1		Washer lock	
13	TAA346WS1	(3) ISO7045M4x10-Z3	Brake box cover	



REF N°	PART No	+ HARDWARE	DESCRIPTION	APPLICATION
1	TAA384NY1	---	Belt Retainer	TAA20220AC1-AC2-AC3 AC11-AC12-AC13
	TAA384NY2			TAA20220AC4
	TAA384RV1			TAA20220AC14
1	(2)TAA384TC1	---	Belt Retainer	TAB20220AC11-AC12-AC13
	(2)TAA384TC2			TAB20220AC14
2	TAA310CJ1	(4) DIN127B-M12 + (4) ISO4762M12x30	Isopads	TAA/TAB20220AC... all
3	TAA303AAQ1	(2) ISO7045M4x10-Z3	Motor Terminal Block	
4	TAA346WQ1	(4) ISO7045M4x10-Z3	Motor box cover	