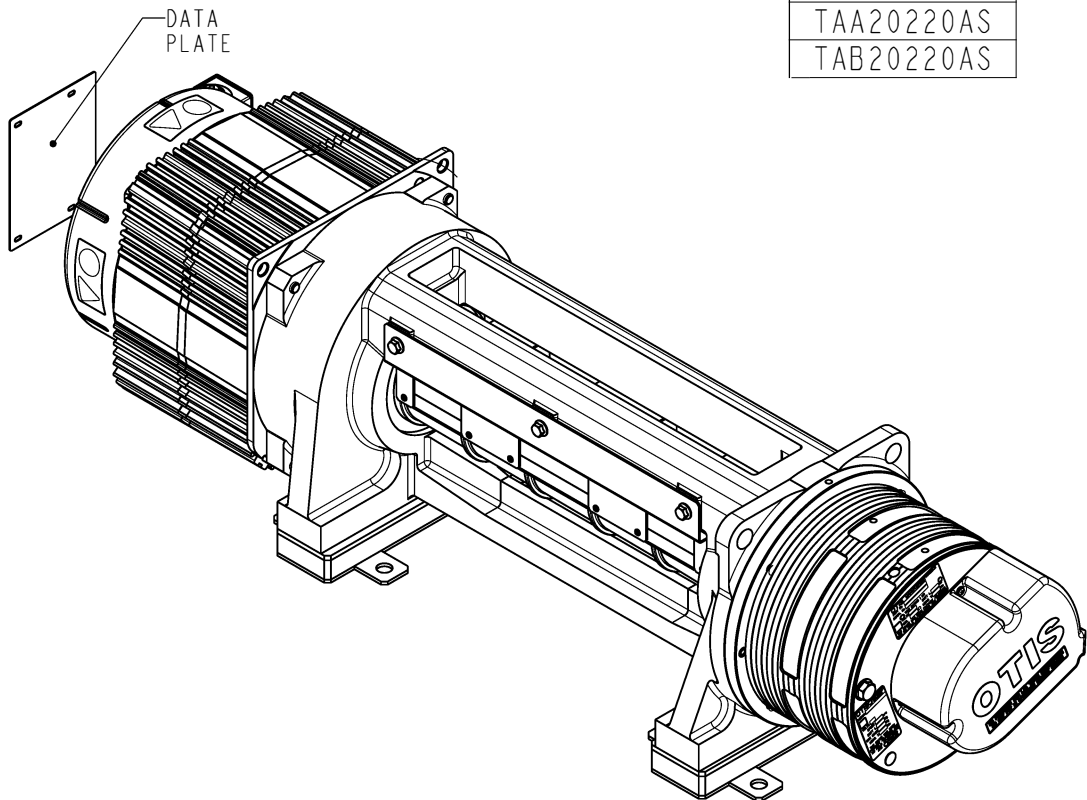


Gearless Gen2 Machine 4.1T-C ANSI Series

Spare Parts Leaflet

06-TAA20220AS

FEBR 2019 / Page 1 of 6



Unpublished Work © Otis Elevator Co. 2003

OTIS

Safety First!

OTIS Engineering Center
Madrid
Otis Elevator Company

History

06-TAA20220AS

Leaflet Description

This leaflet provides spare parts information for the Gearless Machine, type T..20220AS. This gearless machine is designed specifically for the 4.1T Compact GEN2 ANSI series machine roomless elevator system.

Leaflet Revisions

Date Revised	Subjetc Matter Expert	Reason for Revision
NOV 2012	J.M.SANDOVAL	MACHRAT update according to SID00004
SEPT 2014	J.M.SANDOVAL	UPDATE SPL
OCT 2014	J.M.SANDOVAL	CORRECTED MISTAKE IN PAGE 5
FEBR 2019	S.GIL	UPDATE SPL WITH NEW ARRANGS TAB

Related Drawings

Drawing No.	Title	Drawing No.	Title
TAA20220AS	4.1T COMPACT ANSI MACHINES		
TAB20220AS	4.1T COMPACT ANSI MACHINES		

Related Documents

Document ID	Title

Subject Matter Expert

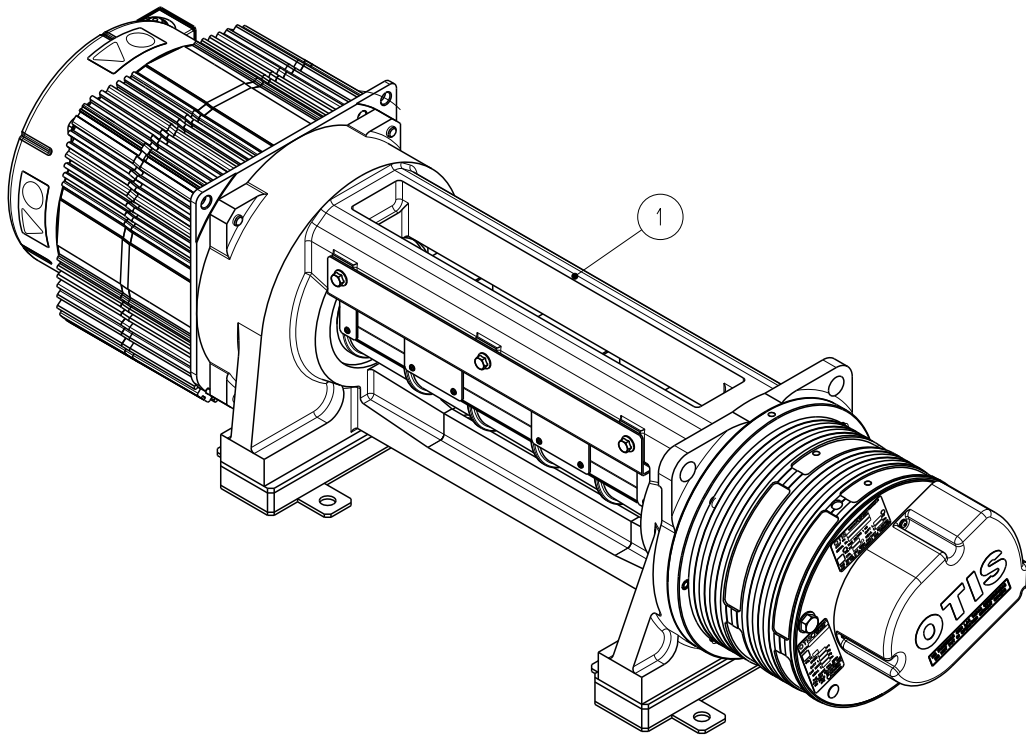
Name	Department
J.A. ILLAN	OEC MADRID

About Spare Parts Leaflets ...

This document lists the lowest replaceable units (LRUs) for the standard version of the product. The LRUs are chosen by the team of Otis associates representing engineering and manufacturing.

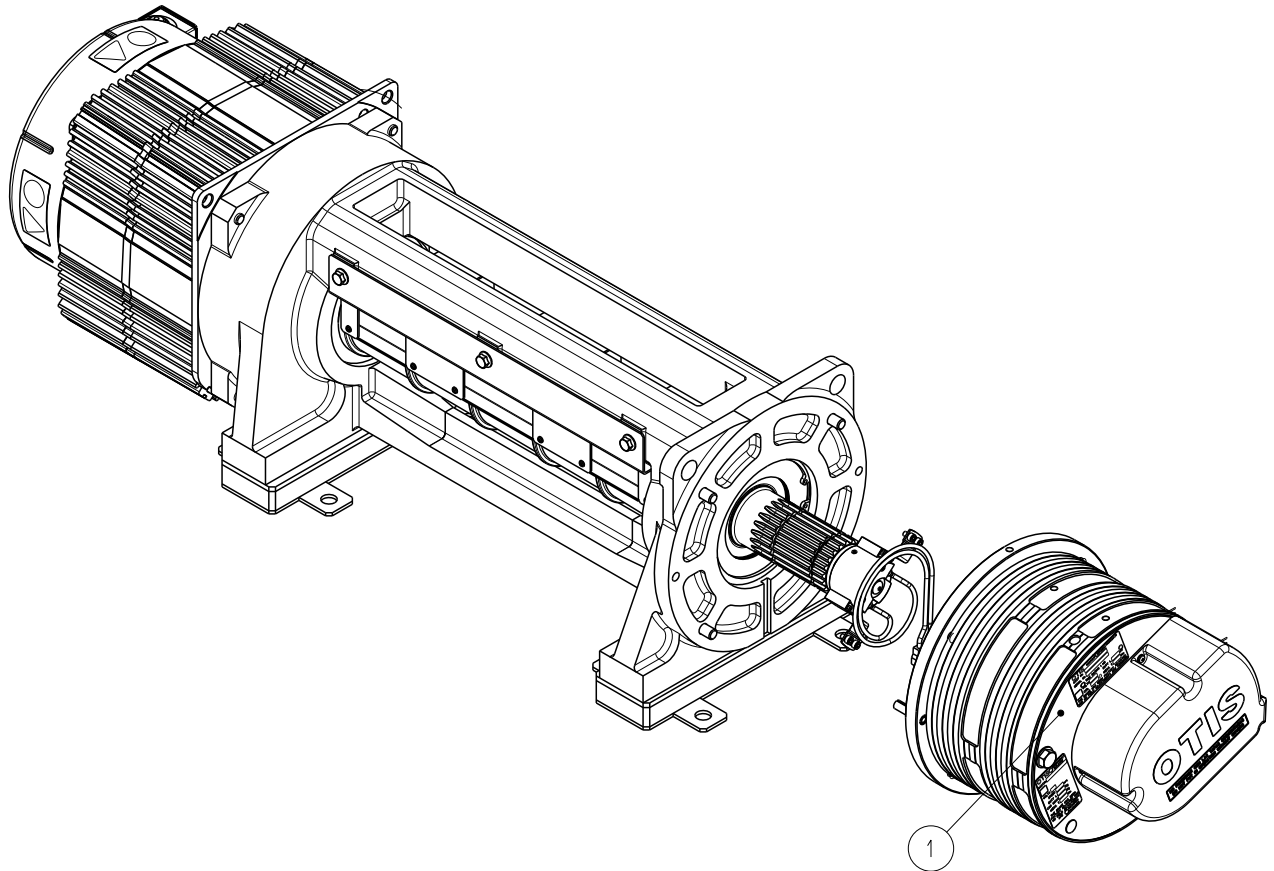
While goal of this document is to make parts identification as easy as possible, the document can not be all-inclusive. Elevator and escalator contracts classified as "special" or "custom" are not addressed here. For such contracts, please refer to specified information, the contract folder, TIPS, Field Education Articles, Construction Letters, etc. for further information.

If you have any suggestions about this document, please contact the subject matter expert listed on this page.



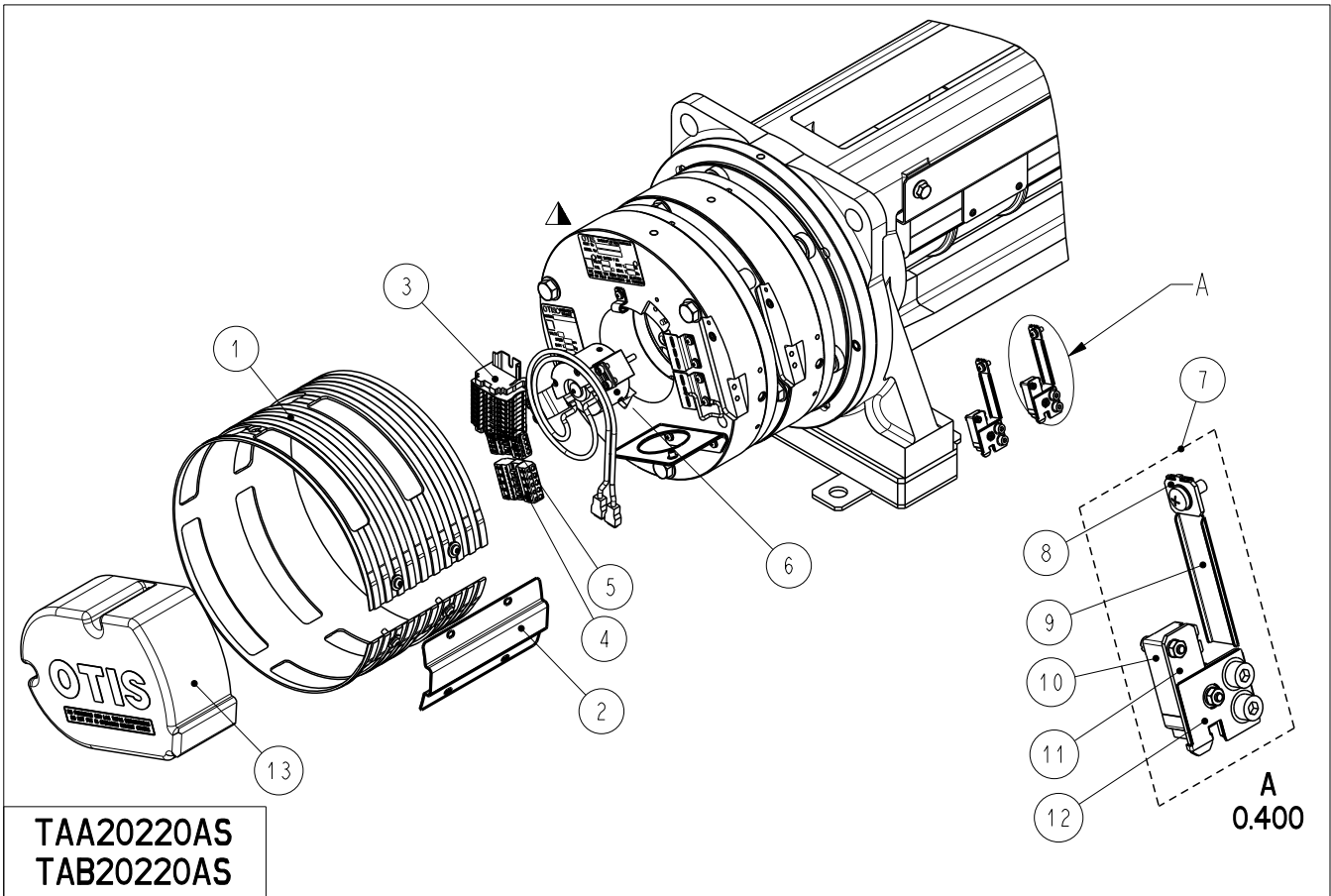
TAA20220AS
TAB20220AS

REF N°	PART No (ALL MACHINES)	PART No NEW EQUIVALENT	DUTY (kg)	SPEED (m/s)	DESCRIPTION	REMARKS
1	TAA/TAB20220AS1	TAB20220AS1	1600	1.02	Machine Assembly 4.1T Compact ANSI Series	MACHRAT 4.1T5133E
	TAA/TAB20220AS2	TAB20220AS2	1600	1.78		MACHRAT 4.1T5158E



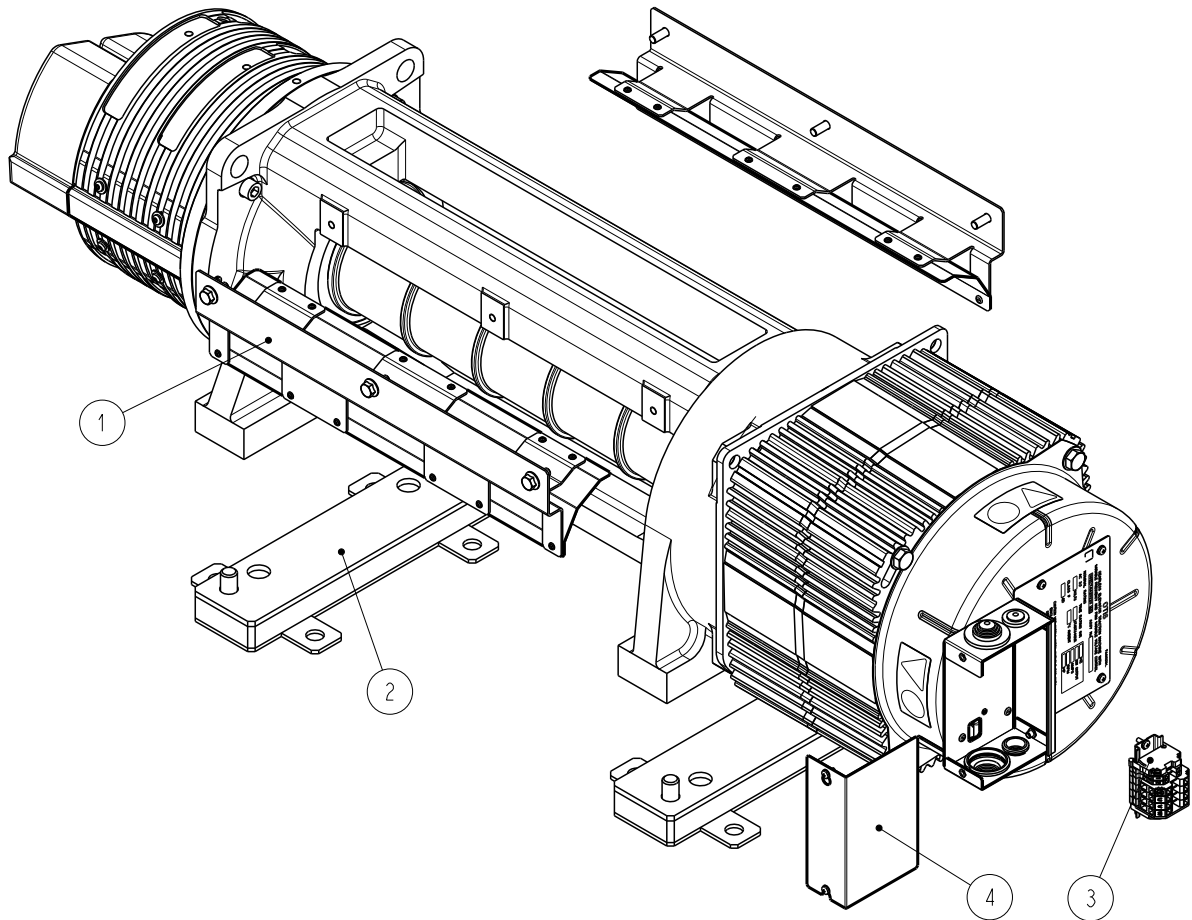
TAA20220AS
TAB20220AS

REF N°	PART No		+ HARDWARE	DESCRIPTION	APPLICATION
	CANCELLED	NEW EQUIVALENT			
1	TAA20236N12	TAB20236N12	(2) ISO4762M12x35 + (2) ISO4762M12x80 + (4) TAA130AT3 + (2) ISO8752-10x40 + (2) TAA172AH10 + (2) DIN580M8	Full Brake	TAA/TAB20220AS1
	TAA20236N11	TAB20236N11			TAA/TAB20220AS2



TAA20220AS
TAB20220AS

REF N°	PART No	+ HARDWARE	DESCRIPTION	APPLICATION
1	TAA384NV2	(4) ISO14583M5x16 + (4) ISO7093M5	Brake Cover	TAA/TAB20220AS... all
2	TAA347AXJ2			
3	TAA303AAP1	(2) ISO7045M4x10-Z3	Brake connector and Switch connector	TAA20220AS... all, with Brake TAA20236N... (see ▲)
4	TAA176AFP1 TAA176AFP2	---	Brake connector	TAA/TAB20220AS... all, with Brake TAB20236N... (see ▲)
5	TAA176AFP3 TAA176AFP4	---	Switch connector	
6	AAA633AJ402	Included Service Kit to Assembly and remove Encoder	Encoder	TAA/TAB20220AS... all
7	TAA27076AQL1	Included	Switches Setup	
8	TAA339DE1	(1) ISO7045M4x10-Z3	Clip	
9	TAA288ND1		Lever	
10	TAA177DT1	(2) ISO1207M3x16 + (2) DIN127B-M3 + (2) ISO4032M3	Switch	
11	TAA316CCY1	(2) ISO4762M5x10 + (2) DIN137B	Bracket	
12	TAA130BA1		Washer lock	
13	TAA346WS1	(3) ISO7045M4x10-Z3	Brake box cover	



TAA20220AS
TAB20220AS

REF N°	PART No	+ HARDWARE	DESCRIPTION	APPLICATION
1	TAA384QY1	---	Belt Retainer	TAA/TAB20220AS... all
2	TAA310DB1	(4) DIN127B-M12 + (4) ISO4762M12x30	Isopads	TAA20220AS... all
	TAA310DM1			TAB20220AS... all
3	TAA303ABA1	(2) ISO7045M4x10-Z3	Motor Terminal Block	TAA/TAB20220AS... all
4	TAA346AAS1	(4) ISO7045M4x10-Z3	Motor box cover	