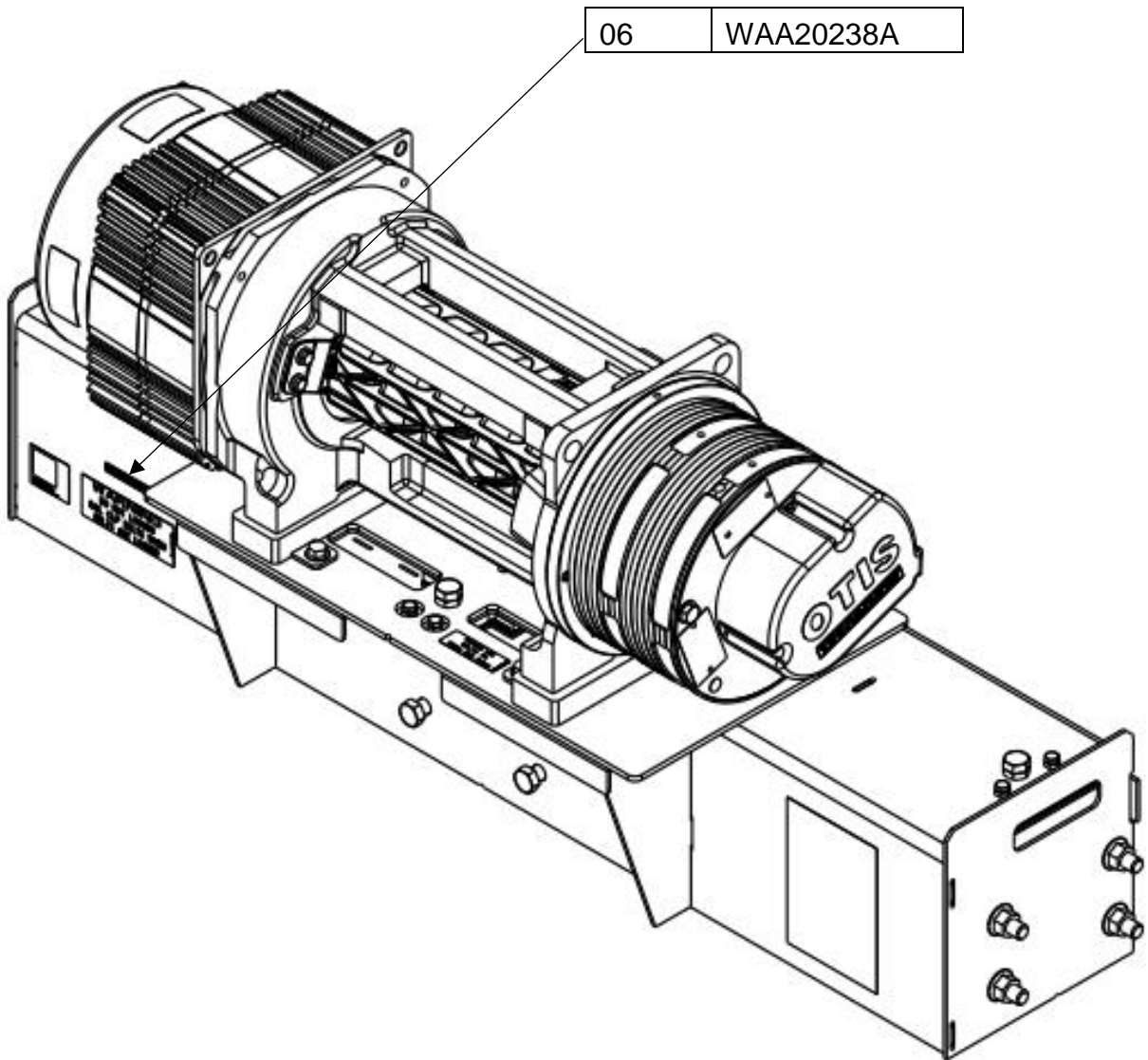


# BEDPLATE

**Spare Parts Leaflet**

**06-WAA20238A**

**Jan. 06, 2023 / Page 1 of 3**



# OTIS

This document does not contain any technical data subject to EAR or ITAR

**SERVICE ENGINEERING**  
**Otis Elevator Company**  
**Bloomfield, Connecticut USA**

Unpublished Work—© Otis Elevator Co.; 2023

**Leaflet Description**

This leaflet provides information for machine bedplate used on the Gen3 core over-slung product.

**Leaflet Revisions**

<b>Date Revised</b>	<b>Subject Matter Expert</b>	<b>Reason for Revision</b>
March 17, 2022	ZhangMing	New SPL
Sep. 14, 2022	ZhangMing	Update shape showing
Jan. 6, 2023	ZhangMing	Update seismic bush part number

**Related Drawings**

<b>Drawing No.</b>	<b>Title</b>	<b>Drawing No.</b>	<b>Title</b>
WAA20238A	Bedplate		

**Related Documents**

<b>Document ID</b>	<b>Title</b>

**Subject Matter Expert**

<b>Name</b>	<b>Department</b>
Zhang Ming	Shanghai LDC Mechanical Engineering

**About Spare Parts Leaflets...**

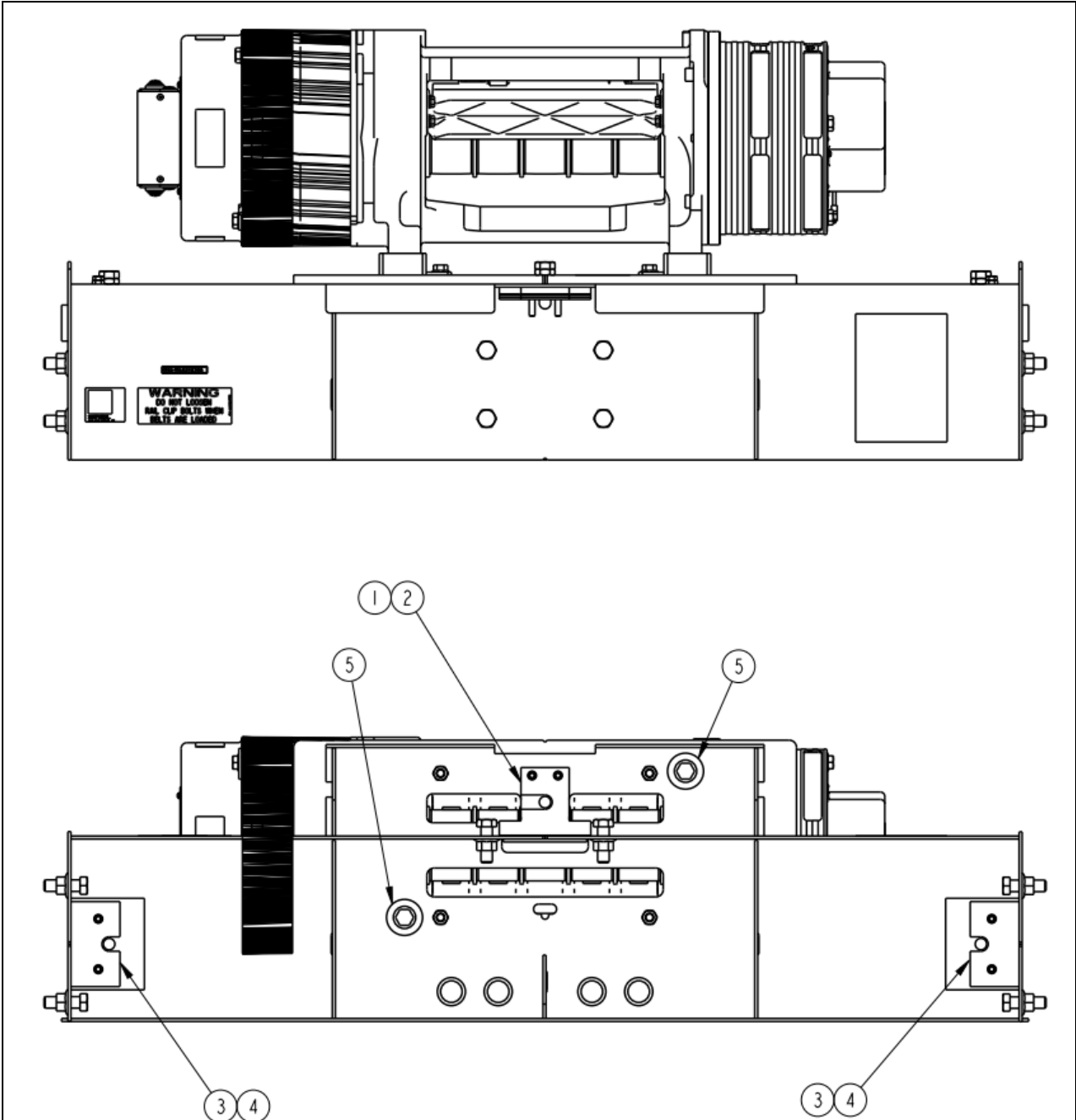
This document lists the lowest replaceable units (LRUs) for the standard version of the product. The LRUs are chosen by a team of Otis associates representing engineering and manufacturing.

While goal of this document is to make parts identification as easy as possible, the document cannot be all-inclusive. Elevator and escalator contracts classified as “special” or “custom” are not addressed here. For such contracts, please refer to specified information, the contract folder, TIPS, Field Education Articles, Construction Letters, etc. for further information.

If you have any suggestions about this document, please contact the subject matter expert listed on this page.

# Bedplate

**06-WAA20238A**



VINTAGE		
REF. No.	PART No.	DESCRIPTION
1	AAA255PK1	ADJUST SHIM FOR CAR RAIL (1mm)
2	AAA255PK2	ADJUST SHIM FOR CAR RAIL (2.75mm)
3	AAA255PK3	ADJUST SHIM FOR CWT RAIL (1mm)
4	AAA255PK4	ADJUST SHIM FOR CWT RAIL (2.75mm)
5	AAA321KY11	SEISMIC MACHINE BUSHING