

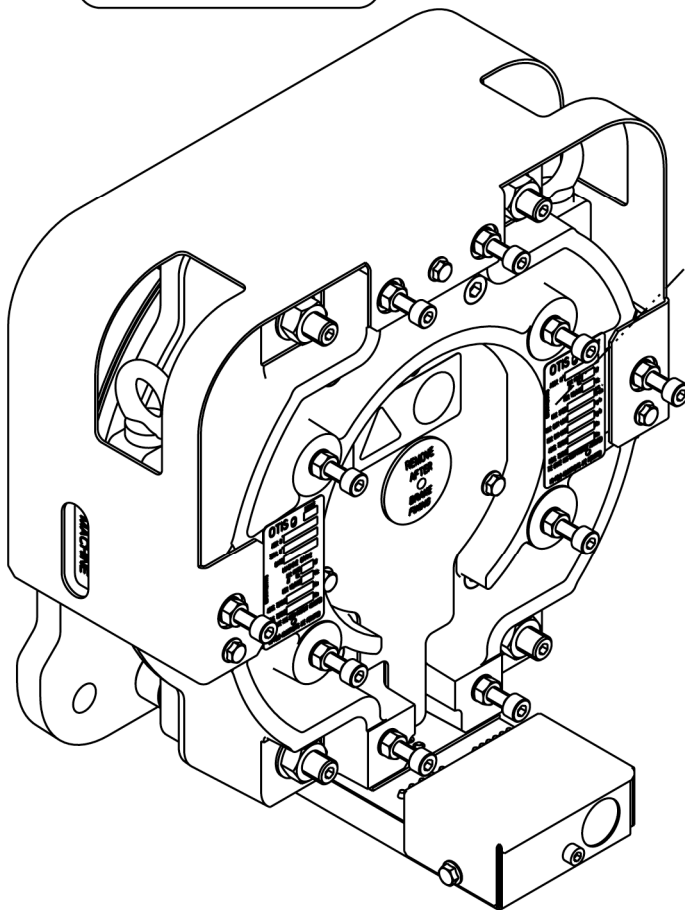
**5T ANSI BRAKE (48 V)
for GEN2 System**

Spare Parts Leaflet

07-TAA20236K

April 2009 / Page 1 of 5

VINTAGES
TAA20236K
TBA20236K



OTIS MMUF.

ASSY. N°

SERIAL N°

DATE

MACHINE BRAKE

MAX. POWER W

AT V_{ac}

NOM. VOLTAGE V_{ac}

ADMS. TORQUE Nm

MEAS. TORQUE Nm

THE BRAKE HAS BEEN FACTORY ADJUSTED

NO FIELD ADJUSTMENTS ARE PERMITTED

OTIS EMERGENCY BRAKE

ASSY. N°

MAX. POWER W

AT V_{ac}

NOM. VOLTAGE V_{ac}

MAX. SPEED RPM

MAX. DUTY LOAD kg-b

MAX. CAR INSH. kg-b

ADMS. TORQUE Nm

MEAS. TORQUE Nm

THE BRAKE HAS BEEN FACTORY ADJUSTED

NO FIELD ADJUSTMENTS ARE PERMITTED

OTIS

Safety First!

SERVICE ENGINEERING CENTER

Madrid

Otis Elevator Company

Leaflet Description

This SPL is an NSAA distribution of the Otis Spain prepared SPL.

This leaflet provides spare parts information for type T..20236K disc brake. This brake is a dual solenoid designed specially for the Gen2 5T machine-roomless elevator system to be installed in NSAA/ANSI markets.

Leaflet Revisions

Date Revised	Subject Matter Expert	Reason for Revision
November 2006	J.A. Illan	New arrangement for "EN" application.
April 2008	J.A. Illan	Added varistor
April 2009	J.A. Illan	Added vintage and assembly sensors

Related Drawings

Drawing No.	Title	Drawing No.	Title
TBA20236K	Brake		

Related Documents

Document ID	Title
TAA26BBA	Brake characteristics
P-FR-MEC-0180	Sensor Retrofit Procedure

Subject Matter Expert

Name	Department
Val Sheynkman	OSC Service Engineering

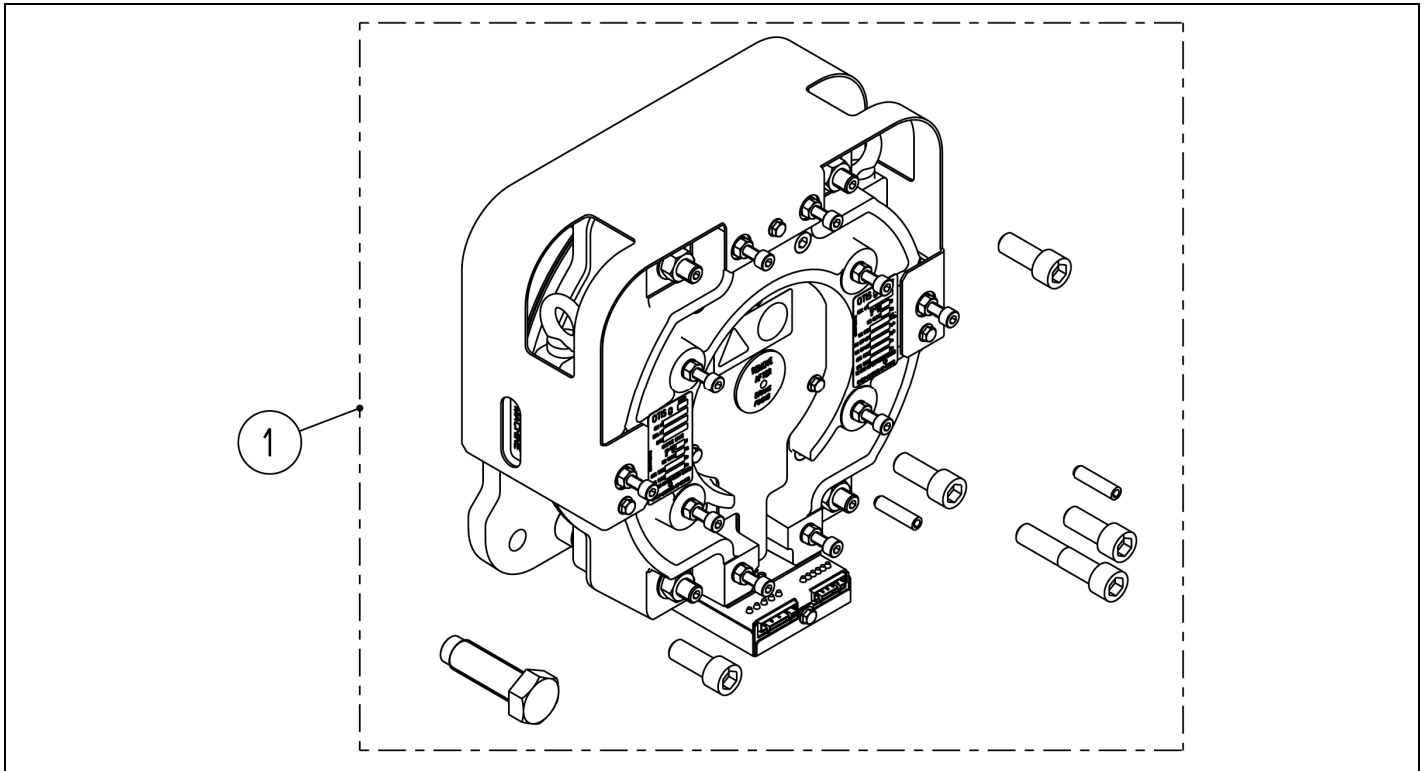
About Spare Parts Leaflets...

This document lists the lowest replaceable units (LRUs) for the standard version of the product. The LRUs are chosen by a team of Otis associates representing engineering and manufacturing.

While goal of this document is to make parts identification as easy as possible, the document cannot be all-inclusive. Elevator and escalator contracts classified as "special" or "custom" are not addressed here. For such contracts, please refer to specified information, the contract folder, TIPs, Field Education Articles, Construction Letters, etc. for further information.

If you have any suggestions about this document, please contact the subject matter expert listed on this page.

5T NAA/ANSI Brake for GEN2 System 07-TAA20236K



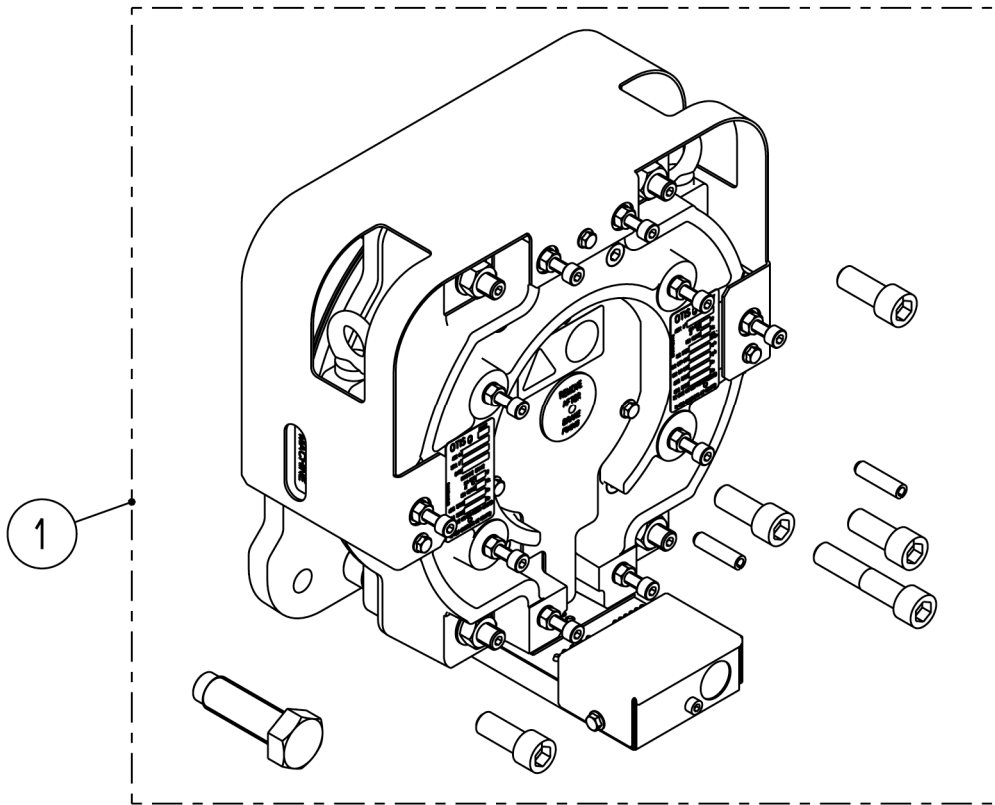
T..20236K

(*) Arrangement for "EN" Application

() If brake needs replacement because of sticking issues, order the Brake with Carlisle lining of the same duty and speed.**

REF No.	DUTY LOAD (Kg)	SPEED (m/s)	ASSEMBLY	VOLTAGE (V)	LINING	JUNCTION BOX	REPLACED WITH
1	2268	≤1.78	T..20236K1	48	Trimat	Without	TBA20236K1 (**) +TAA27076GA1+ TAA27076GA2
	1815	≤2.03					
	1600	≤1.78	T..20236K2				TBA20236K2 (**) +TAA27076GA1+ TAA27076GA2
	1360	≤1.78	T..20236K3				TBA20236K3 (**) +TAA27076GA1+ TAA27076GA2
	1600 NGHR1	≤2.54	T..20236K4				TBA20236K4 +TAA27076GA1+ TAA27076GA2
	1360 NGHR1						
	2268	≤2.03	T..20236K101				TBA20236K101 +TAA27076GA1+ TAA27076GA2
	1815						
	1600	≤1.78	T..20236K102				TBA20236K102 +TAA27076GA1+ TAA27076GA2
	1360						
2500	≤1.75	T..20236K21	48	Trimat	Without	TBA20236K21 (*) +TAA27076GA1+ TAA27076GA2	

07-TAA20236K 5T NAA/ANSI Brake for GEN2 System

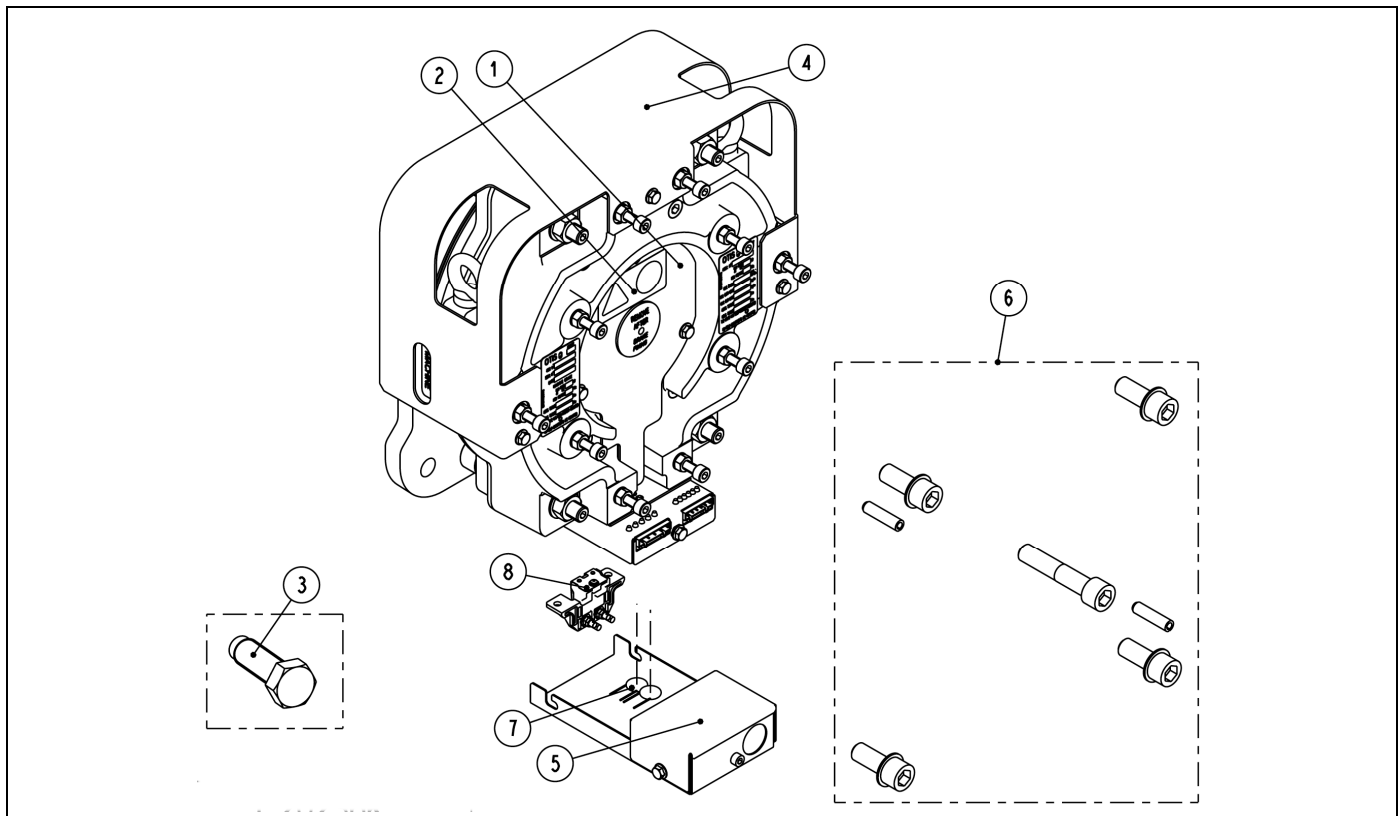


T..20236K

() If brake needs replacement because of sticking issues, order the Brake with Carlisle lining of the same duty and speed.**

REF No.	DUTY LOAD (Kg)	SPEED (m/s)	ASSEMBLY	VOLTAGE (V)	LINING	JUNCTION BOX	REPLACED WITH
1	2268	≤1.78	T..20236K11	48	Trimat	with	TBA20236K11 (**) + TAA27076GA1 + TAA27076GA2
	1815	≤2.03					
	1600	≤1.78	T..20236K12				
	1360	≤1.78	T..20236K13				TBA20236K13 (**) + TAA27076GA1 + TAA27076GA2
	1600 NGHR1	≤2.54	T..20236K14				
	1360 NGHR1						T..20236K111
	2268	≤2.03	T..20236K111		TBA20236K112 TAA27076GA1 + TAA27076GA2		
	1815						≤1.78
	1600	Carlisle	TBA20236K112 TAA27076GA1 + TAA27076GA2				
1360							

5T NAA/ANSI Brake for GEN2 System **07-TAA20236K**



T..20236K			
REF No.	PART or M.L.	W →	DESCRIPTION
1	TAA346NM1	T..20236K... all	Cover
	(3) TAA124BF2		Screw
2	TAA102GW1	T..20236K... all	Label
3	TAA27076GA2	T..20236K... all	(1) Screw TAA124EK1 (for removing the brake)
4	TAA384JX1	T..20236K... all	Guard
	(3) TAA124BF2		Screw
5	TAA309BD1	T..20236K11 - 12 - 13 - 14 - 111 - 112	Junction Box
6	TAA27076GA1	T..20236K... all	Hardware Kit for Assembling the Brake on the machine. Consists of: (2) Pins ISO8752-10x40 (4) Washers TAA130AT4 (4) Screws ISO4762 M16x50-8.8 (1) Screw ISO4762 M16x80-10.9 (1) Washer DIN796 M16
7	(2) TO232BA9	T..20236K... all	Varistor
8	TAA27076VB1	T..20236K... all	Assembly Sensors