

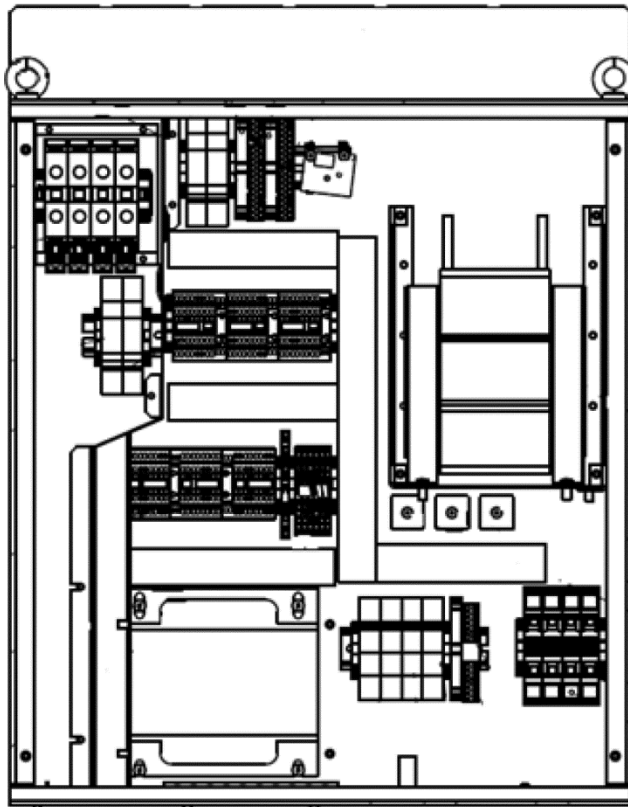
**Filter Box Skyrise
Control System**

Spare Parts Leaflet

09-AAA21305DV

March 25, 2014 / Page 1 of 3

**W/O
VINTAGE**



OTIS

SERVICE ENGINEERING
Otis Elevator Company
HRSIT, Shanghai China

Unpublished Work—© Otis Elevator Co.; 2014

Leaflet Description

This spare parts leaflet lists the lowest replaceable units for filter box assembly, which is designed to be used with OVF412CR drive for NSAA market.

Leaflet Revisions

Date Revised	Subject Matter Expert	Reason for Revision
March 25, 2014	Pan Guoping	New SPL

Related Drawings

Drawing No.	Title	Drawing No.	Title
AAA21305DV	Filter Box		

Related Documents

Document ID	Title

Subject Matter Expert

Name	Department
Pan Guoping	HR-SIT

About Spare Parts Leaflets...

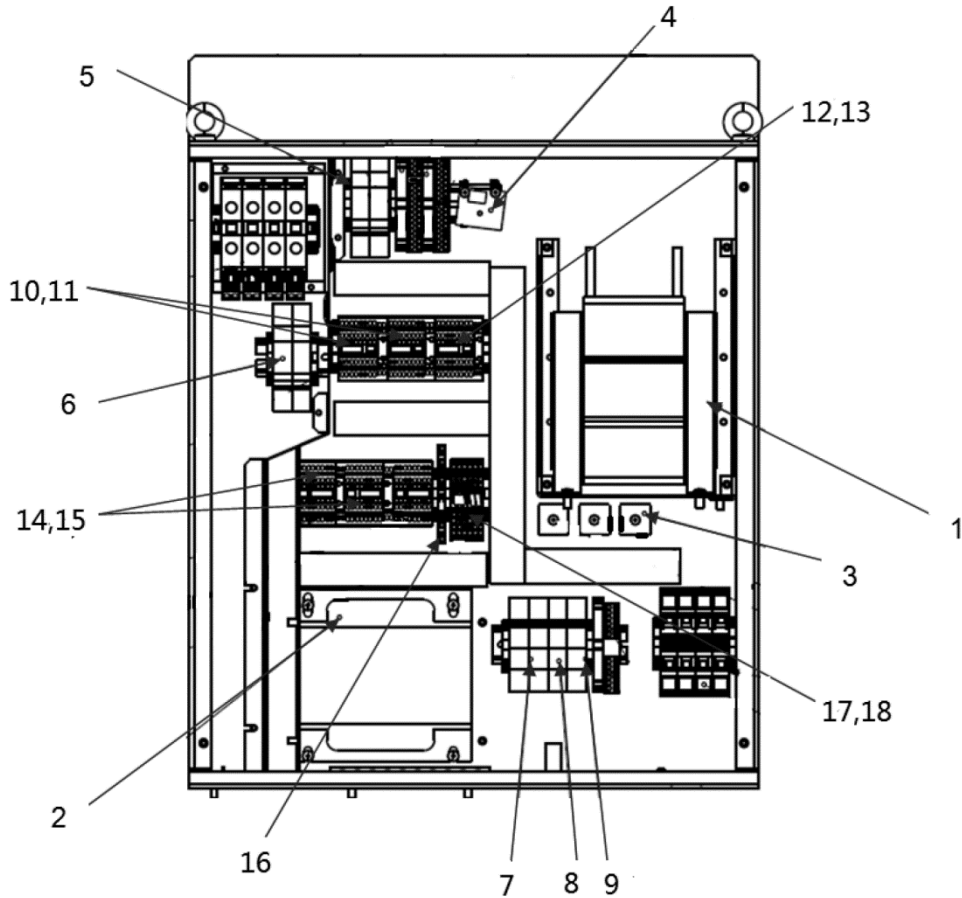
This document lists the lowest replaceable units (LRUs) for the standard version of the product. The LRUs are chosen by a team of Otis associates representing engineering and manufacturing.

While goal of this document is to make parts identification as easy as possible, the document cannot be all-inclusive. Elevator and escalator contracts classified as “special” or “custom” are not addressed here. For such contracts, please refer to specified information, the contract folder, TIPs, Field Education Articles, Construction Letters, etc. for further information.

If you have any suggestions about this document, please contact the subject matter expert listed on this page.

Filter Box

09-AAA21305DV



VINTAGE			
REF. No.	PART No.	DESCRIPTION	SYMBOL
1	DAA234L1	DV/DT Reactor	REACTOR
2	AAA225MZ1	Transformer	TR3
3	GO230AE7	Rectifier	RF1,RF2,RF3
4	DAA26800W1	CAN Terminator	CAN TERMINATOR
5	AAA637N1	Circuit breaker(S 202 UP-K6)	F7K
6	AAA637N2	Circuit breaker(S 202 UP-K10)	F6K
7	DAA637H10	Circuit breaker(NB1-63 1P 10A#D)	F8D
8	AAA637P1	Circuit breaker(NB1-63 2P 10A#D)	F9D
9	DAA637H29	Circuit breaker(NB1-63 1P 1A#D)	F10C
10	GAA638BP1	BY Relay	BY1,BY2
11	GAA605H12	Surge suppresser(for BY)	N/A
12	AAA638AM10	BR Relay	BR
13	GAA605H16	Surge suppresser(for BR)	N/A
14	AAA638AM3	BSR Relay	BSR
15	GAA605H21	Surge suppresser(for BSR)	N/A
16	AAA303GA1	Optical coupler	DCO
17	AAA612AAA004	DIODE (IN5404)	N/A
18	JO605A7	Varistor	N/A