

# Motor-Generator Filters

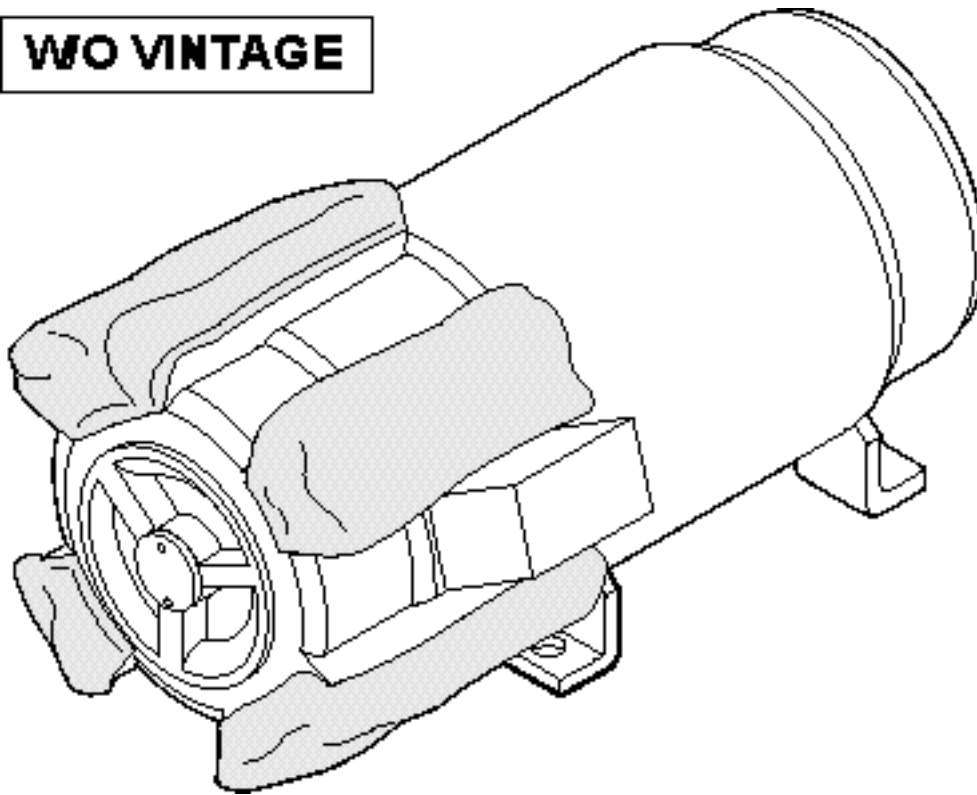
**Spare Parts Leaflet**

**09-AAA737L**

**October 30, 2002 / Page 1 of 11**

**Supersedes SPL 09-AAA737L/M/N Dated September 1994**

**WO VINTAGE**



Unpublished Work—© Otis Elevator Co.; 2002

**OTIS**

**Safety First!**

**SERVICE ENGINEERING**

**Otis Elevator Company**

**Bloomfield, Connecticut USA**

**Leaflet Description**

This leaflet provides information for motor-generator set (MG set) filters AAA737L/M/N. These newly improved filters will trap and hold carbon dust sufficiently. Note that the filter material is 100% polyester synthetic. For detailed installation instructions, refer to TIP 7.0-21, *MG Set Filter Kits*.

**Leaflet Revisions**

<b>Date Revised</b>	<b>Subject Matter Expert</b>	<b>Reason for Revision</b>
September 1994	Steve Murdzek	- - -
October 30, 2002	Tom Butwell	Add history page, update and correct parts information, and add new illustrations.

**Related Drawings**

<b>Drawing No.</b>	<b>Title</b>	<b>Drawing No.</b>	<b>Title</b>
149AL	Anchor	AAA737L	MG Set Filter Assembly
AAA737N	MG Set Filter Elements, Kits	AAA737M	Filter Element

**Related Documents**

<b>Document ID</b>	<b>Title</b>
TIP 7.0-21	MG Set Filter Kits
- - -	- - -

**Subject Matter Expert**

<b>Name</b>	<b>Department</b>
Tom Butwell	OSC Service Engineering

**About Spare Parts Leaflets...**

This document lists the lowest replaceable units (LRUs) for the standard version of the product. The LRUs are chosen by a team of Otis associates representing engineering and manufacturing.

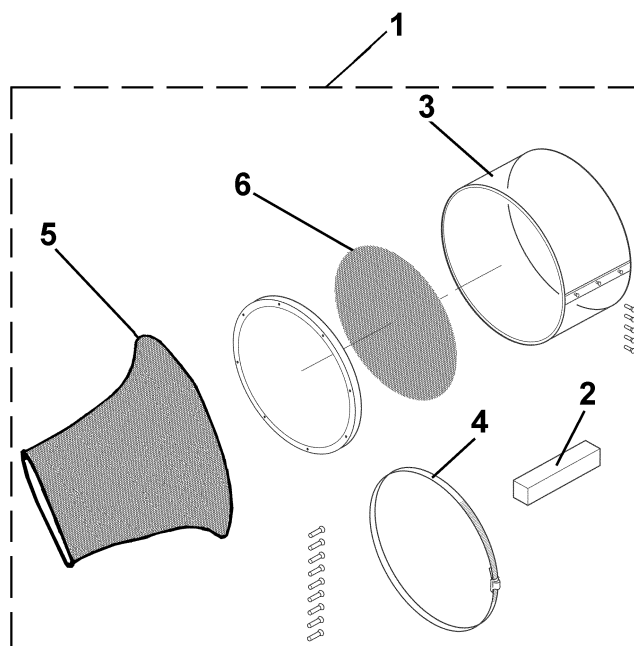
While goal of this document is to make parts identification as easy as possible, the document cannot be all-inclusive. Elevator and escalator contracts classified as "special" or "custom" are not addressed here. For such contracts, please refer to specified information, the contract folder, TIPs, Field Education Articles, Construction Letters, etc. for further information.

If you have any suggestions about this document, please contact the subject matter expert listed on this page.

# MG Set Filter Assembly

09-AAA737L

## AAA737L (extended life filter)

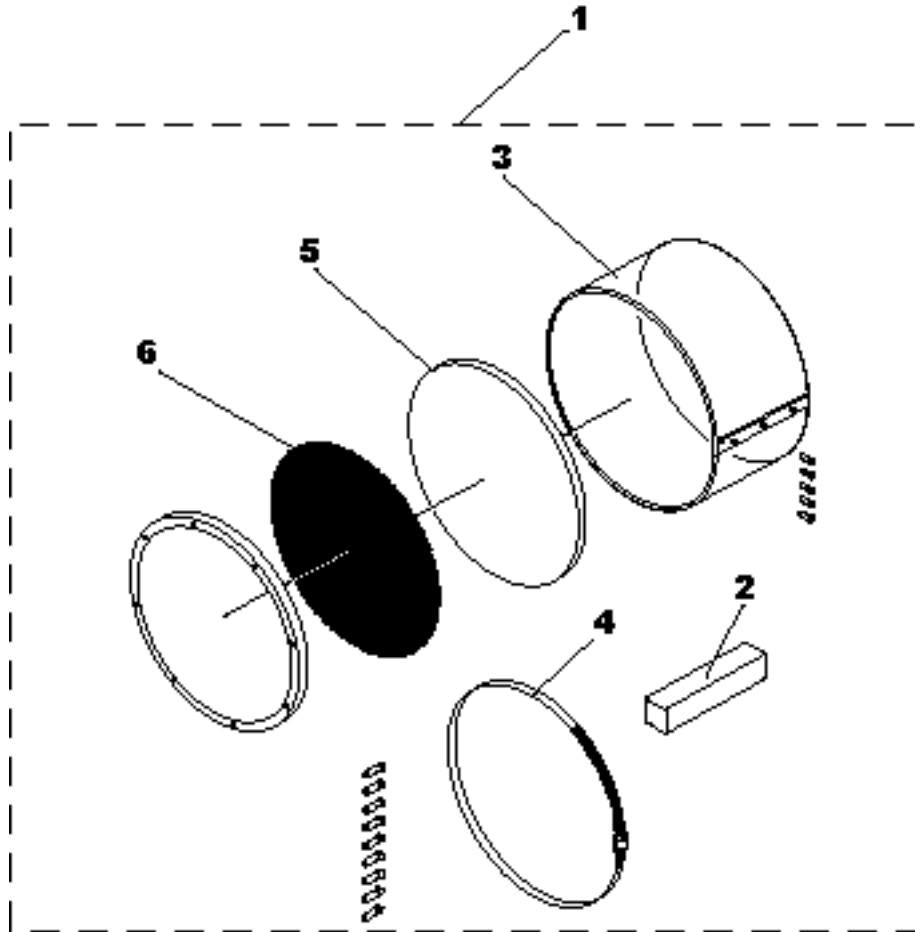




W/O VINTAGE		
REF. No.	PART No.	DESCRIPTION
1	AAA737L1	Assembly, Bonnet MG Set Filter, Used in 71 and 82GA Motor-Generators, 👁 <b>NOTE</b>
2	AAA310QB1	Block, Foam, 10.0 in. × 2.0 in. × 2.0 in.
3	AAA254K2	Bonnet
4	336KL5	Clamp, Duct
5	AAA737N81	Filter, Single, for 71GA (order 2 for this extended life arrangement)
	AAA737N82	Filter, Single, for 82GA (order 2 for this extended life arrangement)
6	AAA49DT1	Grille, Wire

**NOTE:** TIP 7.0-21, *MG Set Filter Kits*, is included in the assembly.

**09-AAA737L**

# MG Set Filter Assembly, Type AAA737L (flat filter)



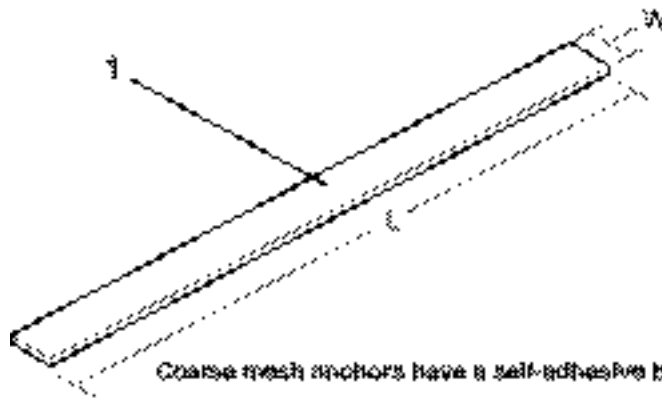
<b>W/O VINTAGE</b>		
<b>REF. No.</b>	<b>PART No.</b>	<b>DESCRIPTION</b>
1	AAA737L1	Assembly, MG Set Filter, Used in Types 71 and 82GA Motor-Generators,  <b>NOTE</b>
2	AAA310QB1	Block, Foam, 10.0 in. × 2.0 in. × 2.0 in.
*	---	Foam, Self-Stick, 3/8 in. × 2.0 in. × 53.5 in.
3	AAA254K2	Bonnet
4	336KL5	Clamp, Duct
5	AAA737M1	Filter, Single Element,  AAA737L1
6	AAA49DT1	Grille, Wire

\* Part not shown. Purchase locally.

**NOTE:** TIP 7.0-21, *MG Set Filter Kits*, is included in the assembly.

# Velcro Strip Anchor

**09-AAA737L**



Coarse mesh anchors have a self-adhesive back for attachment to generator.

W/O VINTAGE						
REF. No.	PART No.	DESCRIPTION	MESH	L	W (in.)	MG Type
1	149AL999	Anchor, Velcro Strip	Coarse	By the Foot	1.0	For All MG Types

## MG Set Filter Elements: Type AAA737N Installation Kits

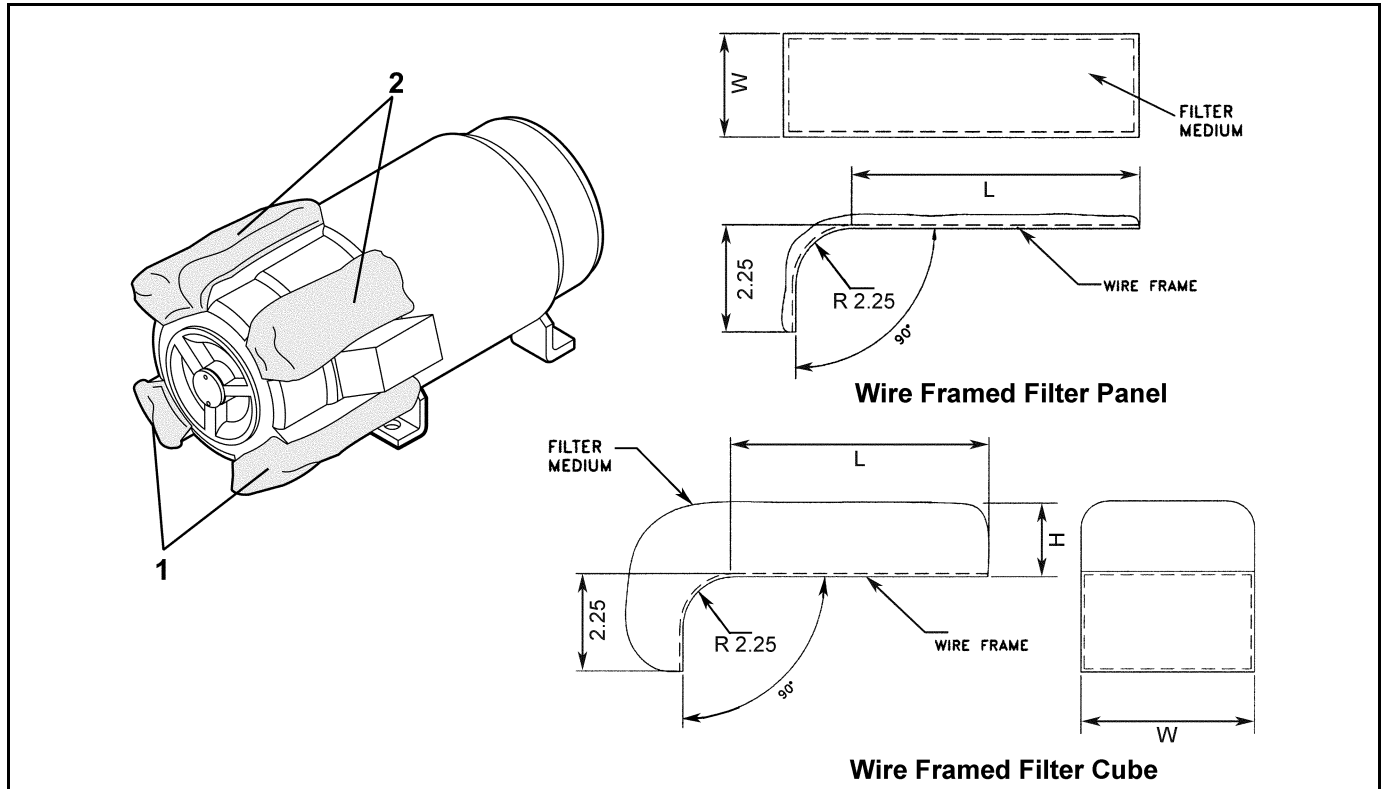
<b>W/O VINTAGE</b>	<b>NOTE 1:</b> The installation kits are not illustrated.		
<b>PART No.</b>	<b>Filter Kit Content</b>	<b>MG TYPE</b>	<b>KW</b>
AAA737N34 AAA737N57	(2) AAA737N71; (2) AAA737N72; (15) 149AL999; (1) TIP 7.0-21	6390AB, 6390AF, A6390AF	12.5, 15, 20.7, 23
AAA737N34 AAA737N59	(2) AAA737N73; (2) AAA737N77; (20) 149AL999; (1) TIP 7.0-21	6390AD, 6390AF, A6390AF	20, 25, 30, 35, 40
AAA737N37 AAA737N61	(2) AAA737N74; (8) 149AL999; (1) TIP 7.0-21	6390AF, A6390AF	45, 46, 53, 60, 64
AAA737N40 AAA737N63	(1) AAA737N75; (12) 149AL999; (1) TIP 7.0-21	Leroy-Somer Reverse Flow, 6390AA, 6390AB	10, 15
AAA737N43 AAA737N65	(1) AAA737N76; (12) 149AL999; (1) TIP 7.0-21	Leroy-Somer Reverse Flow, 6390AD	20
AAA737N32 AAA737N58	(6) AAA737N71; (6) AAA737N72; (2) VP-798903-Single	6390AB, 6390AF, A6390AF	12.5, 15, 20.7, 23
AAA737N35 AAA737N60	(6) AAA737N73; (6) AAA737N77; (2) VP-798903-Single	6390AD, 6390AF, A6390AF	20, 25, 30, 35, 40
AAA737N38 AAA737N62	(6) AAA737N74; (2) VP-798903-Single	6390AF, A6390AF	45, 46, 53, 60, 64
AAA737N44 AAA737N64	(6) AAA737N73; (2) VP-798903-Single	Leroy-Somer Reverse Flow, 6390AA, 6390AB	10, 15
AAA737N44 AAA737N66	(6) AAA737N76; (2) VP-798903-Single	Leroy-Somer Reverse Flow, 6390AD	20
AAA737N78	(1) Blowout Filter Bag; (1) AAA737N78; (1) VP-798903-Single	Small Generator (15" x 27")	---
AAA737N79	(1) Blowout Filter Bag; (1) AAA737N79; (1) VP-798903-Single	Medium Generator (18" x 27")	
AAA737N80	(1) Blowout Filter Bag; (1) AAA737N80; (1) VP-798903-Single	Large Generator (40" x 27")	

**NOTE 2:** For individual filters, refer to pages 7 through 8.  
For Velcro strip 149AL999, refer to page 5.

# Motor-Generator Filters

**09-AAA737L**

## Type AAA737N (individual)



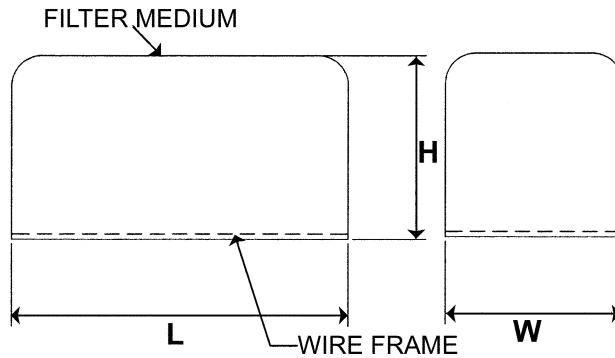
		<b>W/O VINTAGE</b>					
<b>REF. No.</b>	<b>PART No.</b>	<b>DESCRIPTION</b>	<b>L (in.)</b>	<b>W (in.)</b>	<b>H (in.)</b>	<b>MG TYPE</b>	<b>KW</b>
*	AAA737N33	Filter Pad	15.0	5.25	---	6390AB, 6390AF, A6390AF	12.5, 15, 20.7, 23
1	AAA737N71	Filter Panel, Wire Framed	13.3	4.9	---	---	---
2	AAA737N72	Filter Cube, Wire Framed	12.3	4.8	6.0		
*	AAA737N36	Filter Pad	18.0	5.25	---	6390AD, 6390AF, A6390AF	20, 25, 30, 35, 40
1	AAA737N77	Filter Panel, Wire Framed	15.0	5.3	---	---	---
2	AAA737N73	Filter Cube, Wire Framed	14.0	4.8	6.0		

\* Parts not shown.

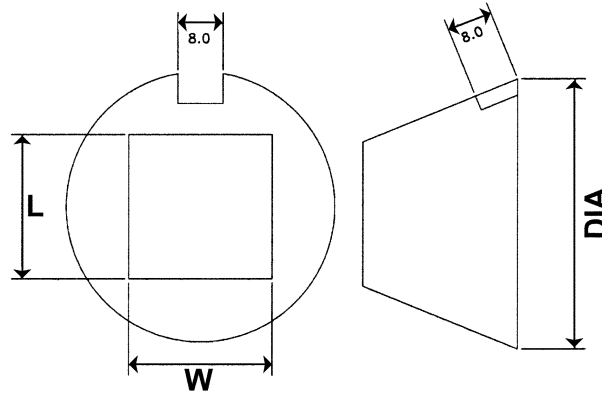
**NOTE:** To differentiate filter panels from filter cubes, refer to dimensions and the illustrations.

(Continued on next page)

**Motor-Generator Filters  
Type AAA737N (individual)**



**Wire Framed Filter Cube (AAA737N74)**



**Filter Sleeve (AAA737N75/76)**

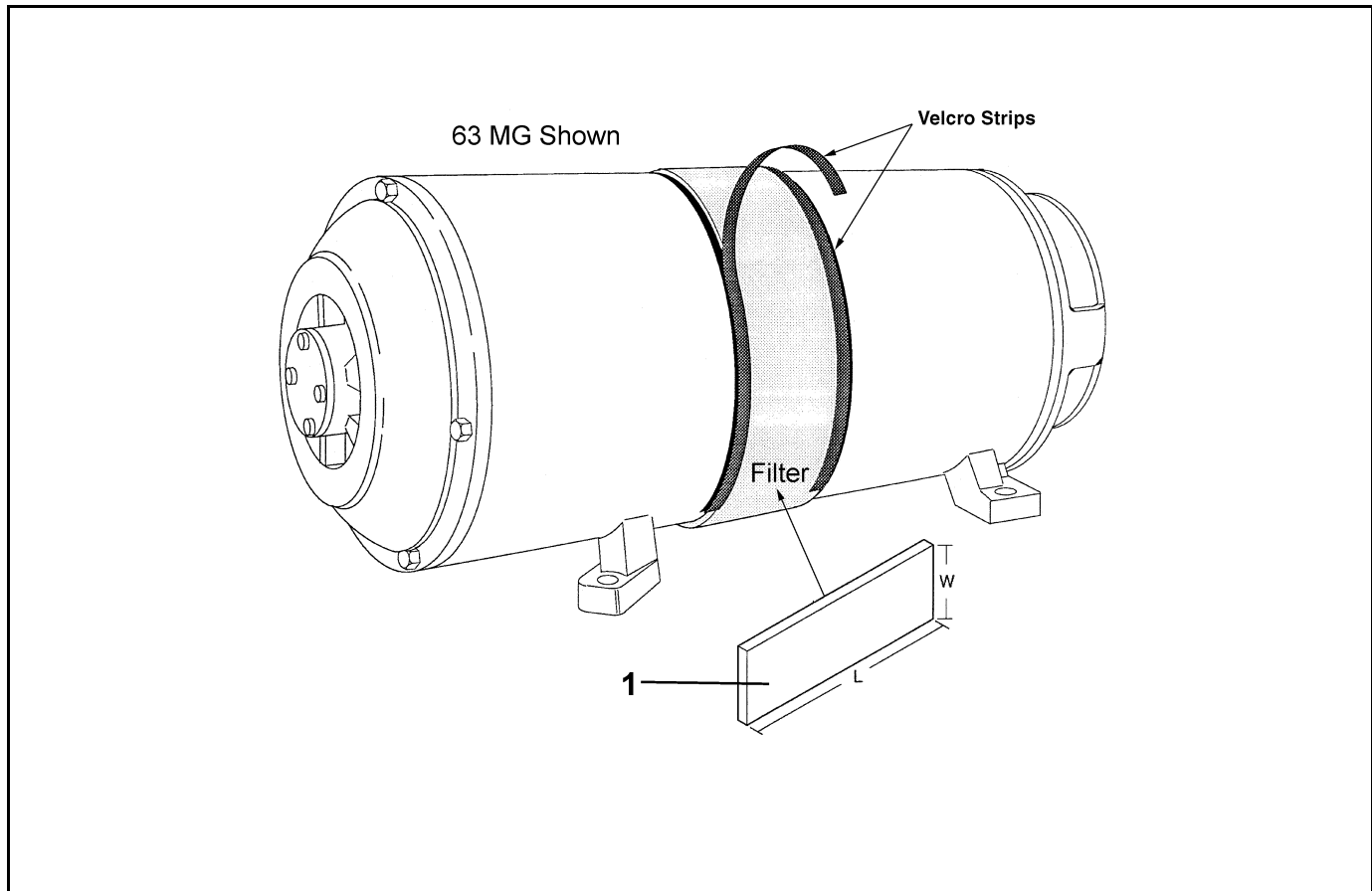
		<b>W/O VINTAGE</b>						
<b>REF. No.</b>	<b>PART No.</b>	<b>DESCRIPTION</b>	<b>L (in.)</b>	<b>W (in.)</b>	<b>H (in.)</b>	<b>Dia. (in.)</b>	<b>MG TYPE</b>	<b>KW</b>
*	<del>AAA737N39</del>	Filter Pad	14.0	6.50	---	---	6390AF, A6390AF	45
See Illustration	AAA737N74	Filter Cube, Wire Framed	11.0	5.1	6.0	---	---	---
*	<del>AAA737N42</del>	Filter Pad	41.0	7.50	---	---	Leroy-Somer Reverse Flow	10, 15
See Illustration	AAA737N75	Filter Sleeve	13.0	13.0	---	16.5	---	---
*	<del>AAA737N45</del>	Filter Pad	46.0	8.0	---	---	Leroy-Somer Reverse Flow	20
See Illustration	AAA737N76	Filter Sleeve	14.0	14.0	---	17.5	---	---

\* Parts not shown.



# Filter Kits for Otis MG Sets, Type AAA737N

**09-AAA737L**



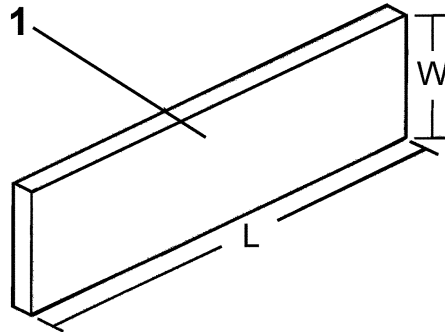
<b>W/O VINTAGE</b>					
<b>REF. No.</b>	<b>PART No.</b>	<b>Filter Kit Content</b>	<b>L (in.)</b>	<b>W (in.)</b>	<b>MG TYPE</b>
*	AAA737N1	(1) AAA737N3, (20) 149AL999, (1) TIP 7.0-21	---	---	63GA
*	AAA737N2	(10) AAA737N3, (2) VP-798903-Single	---	---	
1	AAA737N3	Filter	42.5	3.50	
*	AAA737N10	(1) AAA737N12, (25) 149AL999, (1) TIP 7.0-21	---	---	1B
*	AAA737N11	(10) AAA737N12, (2) VP-798903-Single	---	---	
1	AAA737N12	Filter	67.5	6.00	
*	AAA737N13	(1) AAA737N15, (25) 149AL999, (1) TIP 7.0-21	---	---	2B
*	AAA737N14	(10) AAA737N15, (2) VP-798903-Single	---	---	
1	AAA737N15	Filter	75.00	5.38	

\* Parts not shown.

(Continued on next page)

**09-AAA737L**

## Filter Kits for Otis MG Sets, Type AAA737N



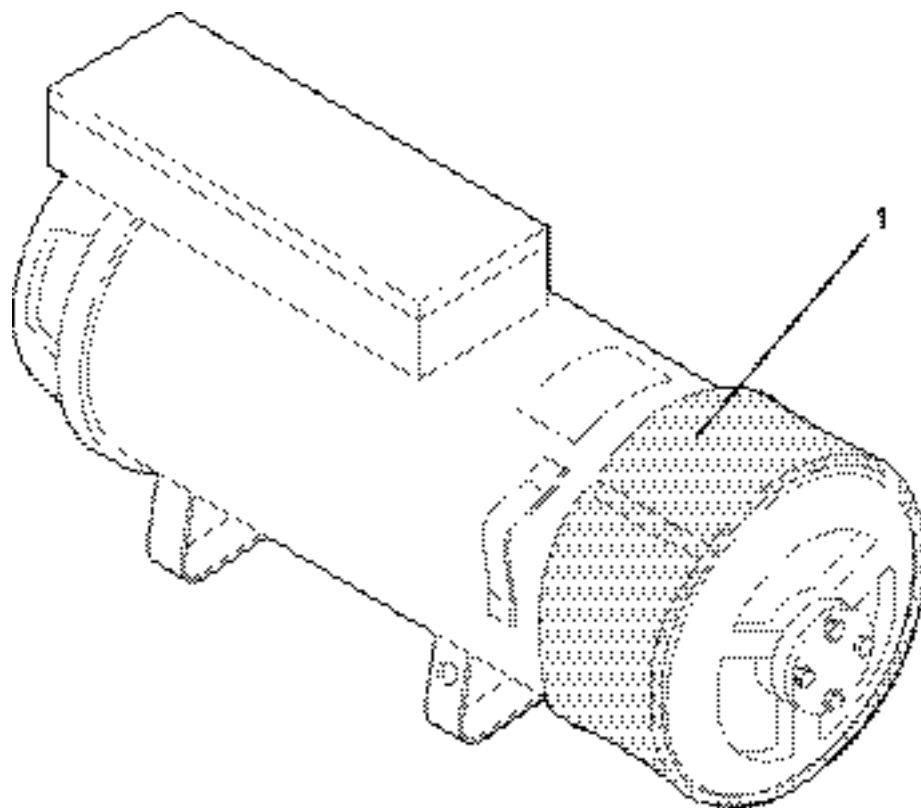
	W/O VINTAGE				
REF. No.	PART No.	Filter Kit Content	L (in.)	W (in.)	MG TYPE
*	AAA737N16	(1) AAA737N21, (34) 149AL999, (1) TIP 7.0-21	---	---	3B
*	AAA737N19	(1) AAA737N21, (34) 149AL999, (1) TIP 7.0-21	---	---	5B
*	AAA737N20	(10) AAA737N21, (2) VP-798903-Single	---	---	
1	AAA737N21	Filter	96.0	9.00	
*	AAA737N22	(1) AAA737N24, (20) 149AL999, (1) TIP 7.0-21	---	---	95GB
*	AAA737N23	(10) AAA737N24, (2) VP-798903-Single	---	---	
1	AAA737N24	Filter	55.0	6.00	
*	AAA737N25	(1) AAA737N27, (26) 149AL999, (1) TIP 7.0-21	---	---	115GB
*	AAA737N26	(10) AAA737N27, (2) VP-798903-Single	---	---	
1	AAA737N27	Filter	72.0	7.50	

\* Parts not shown.

### Filter Kits for Otis MG Sets

**09-AAA737L**

# —Leroy-Somer's Generators



<b>W/O VINTAGE</b>					
<b>REF. No.</b>	<b>PART No.</b>	<b>Filter Kit Content</b>	<b>L (in.)</b>	<b>W (in.)</b>	<b>MG TYPE</b>
*	AAA737N49	(1) AAA737N67, (1) TIP 7.0-21	---	---	Leroy-Somer 6390AA, AB, 10-15 kW
*	AAA737N50	(10) AAA737N67, (2) VP-798903-Single	---	---	
1	AAA737N67	Filter	46.00	---	
*	AAA737N51	(1) AAA737N68, (1) TIP 7.0-21	---	---	Leroy-Somer 6390AD, 20 kW
*	AAA737N52	(10) AAA737N68, (2) VP-798903-Single	---	---	
1	AAA737N68	Filter	64.00	---	

\* Parts not shown.