

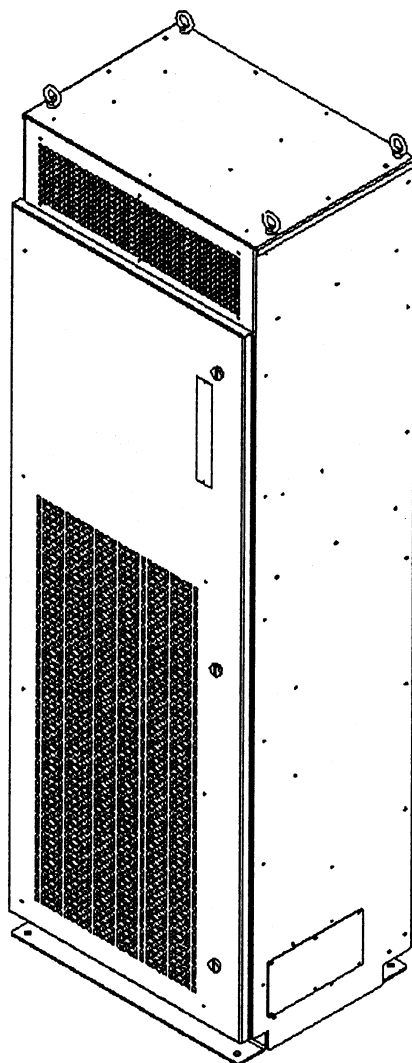
**OVF416 (DBSS)**

**Spare Parts Leaflet**

**09-JAA25402AAH**

**February 20, 2002 / Page 1 of 21**

**Supersedes SPL 09-JAA25402AAH Dated August 1, 2001**



Unpublished Work—© Otis Elevator Co.; 2002

**OTIS**

**Safety First!**

**SERVICE ENGINEERING**

**Otis Elevator Company**

**Bloomfield, Connecticut USA**

**Leaflet Description**

This leaflet provides spare parts information for OVF416 (DBSS).

**Leaflet Revisions**

<b>Date Revised</b>	<b>Subject Matter Expert</b>	<b>Reason for Revision</b>
August 1, 2001	Hirayama Hiroyuki	New SPL
February 20, 2002	Yamaoka Takayuki	Update parts

**Related Drawings**

<b>Drawing No.</b>	<b>Title</b>	<b>Drawing No.</b>	<b>Title</b>
JCA25402AAH	Car Prewiring		
JAA21350AAD	Power Module Assembly		

**Related Documents**

<b>Document ID</b>	<b>Title</b>
---	---

**Subject Matter Expert**

<b>Name</b>	<b>Department</b>
Yamaoka Takayuki	Nippon Otis Modernization Center


**About Spare Parts Leaflets...**

This document lists the lowest replaceable units (LRUs) for the standard version of the product. The LRUs are chosen by a team of Otis associates representing engineering and manufacturing.

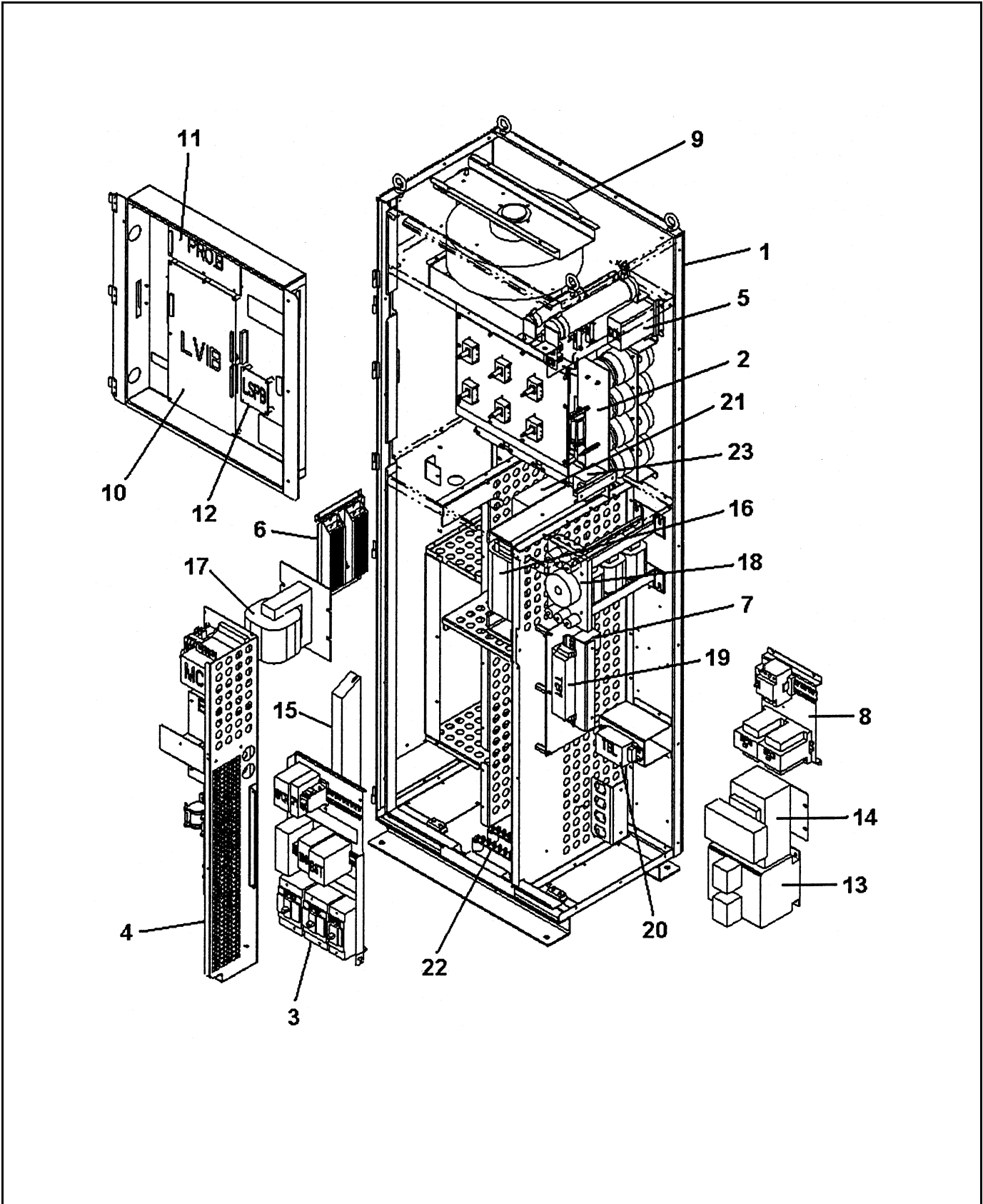
While goal of this document is to make parts identification as easy as possible, the document cannot be all-inclusive. Elevator and escalator contracts classified as "special" or "custom" are not addressed here. For such contracts, please refer to specified information, the contract folder, TIPs, Field Education Articles, Construction Letters, etc. for further information.

If you have any suggestions about this document, please contact the subject matter expert listed on this page.

## Arrangement








ASSEMBLY NO.	DESCRIPTION.	REFERENCE
JAA25402AAH001	JPA Version	(346 V–380 V)
JAA25402AAH002		(400 V–440 V)
JAA25402AAH003		(460 V–480 V)
JAA25402AAH004		(346 V–380 V) w/Battery
JAA25402AAH005		(400 V–440 V) w/Battery
JAA25402AAH006		(460 V–480 V) w/Battery
JAA25402AAH007	APA Version	(346 V–380 V)
JAA25402AAH008		(400 V–440 V)
JAA25402AAH009		(460 V–480 V)
JAA25402AAH010		(346 V–380 V) w/Battery
JAA25402AAH011		(400 V–440 V) w/Battery
JAA25402AAH012		(460 V–480 V) w/Battery
JAA25402AAH013	CEN Version	(346 V–380 V)
JAA25402AAH014		(400 V–440 V)
JAA25402AAH015		(460 V–480 V)
JAA25402AAH016	CSA Version,  <b>NOTE</b>	(460 V–480 V)

**NOTE:** For NAA users, use only CSA version of this SPL.

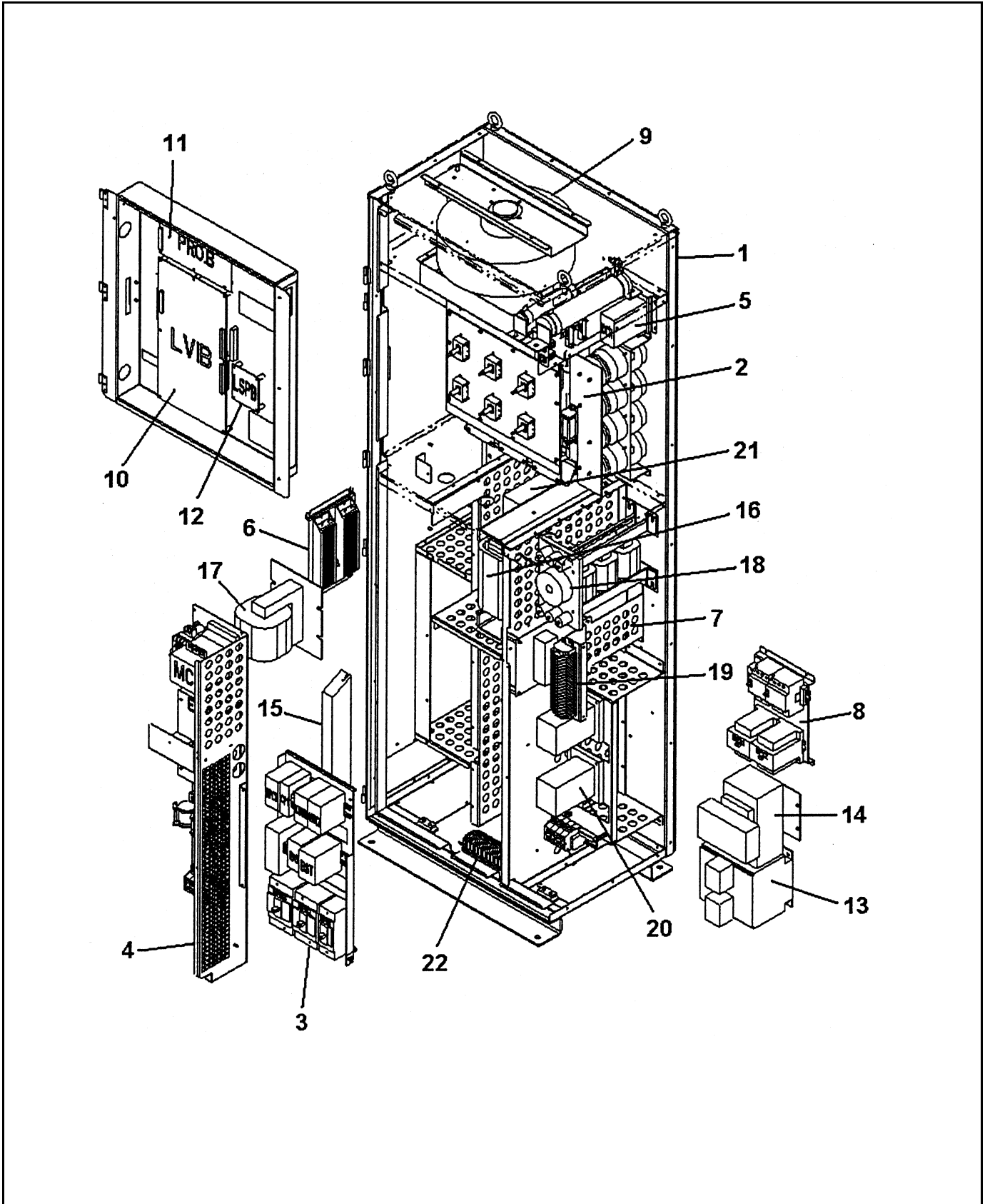


# JPA, APA Version

**09-JAA25402AAH**

<b>JAA25402AAH 001-012</b>		
<b>REF. No.</b>	<b>PART No.</b>	<b>DESCRIPTION</b>
1	JCA21751AEJ001	Cabinet (JPA)
	JCA21751AEJ002	Cabinet (APA)
2	 Page 10	Power Module
3	 Page 12	Relay Panel
4	 Page 15	EMIB
5	 Page 16	HVSW
6	 Page 17	PCR
7	JAA26807BHE001	Damper Board
8	 Page 19	BPX
9	 Page 20	Fan Assembly
10	ACA26800RN1	LVIB
11	ABA26800VA4 ACA26800VA1	Processor Board
12	JAA26807AHT004 JAA26807BHT001	LSPB
13	JAA00225ADN001	Transformer (TRF1) 346 V –380 V
	JAA00225ADN002	Transformer (TRF1) 400 V –440 V
	JAA00225ADN003	Transformer (TRF1) 460 V –480 V
14	JAA00225ADP001	Transformer (TRF2) 346 V –380 V
	JAA00225ADP002	Transformer (TRF2) 400 V –440 V
	JAA00225ADP003	Transformer (TRF2) 460 V –480 V
15	JAA00232AFJ001	Resistor (B1)
16	JAA00234ACC001	Inductor (L2)
17	JAA00234ABY002	Inductor (L3)
18	JAA00234ACD001	Inductor (L4/5)
19	JBA00303AEJ001	Terminal Block (TB1)
20	JAA00303AEB002	Terminal Block (OUT)
21	JAA00226AHJ001	Capacitor (3f CAP)
22	JO316CHS7, JO462CM1	Bus Bar & Insulator
23	JAA303AFC1	Terminal Block (TRM3), Used for Battery S/O

**NOTE:** Transformers are chosen by the power supply.

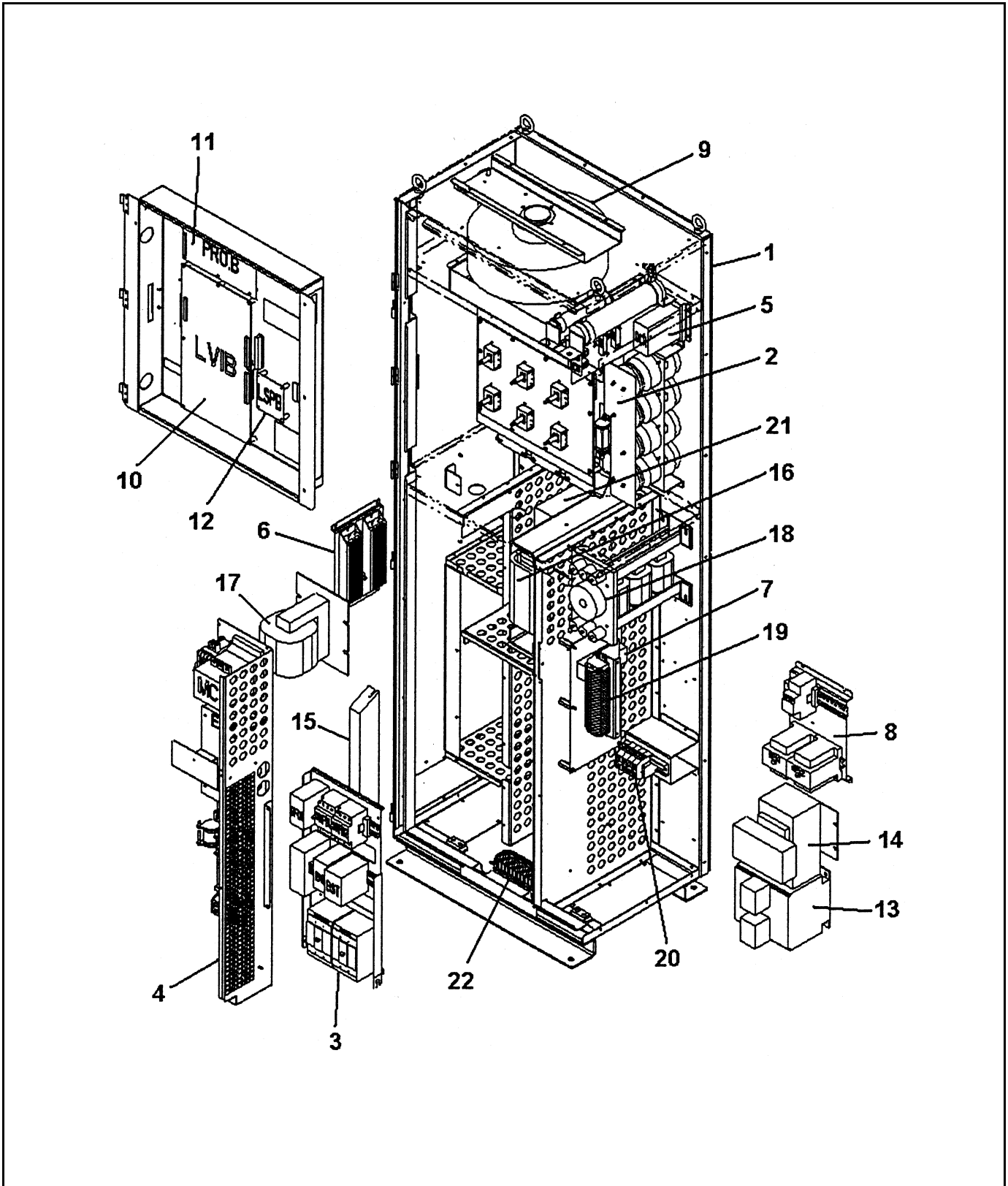


# CEN Version

**09-JAA25402AAH**

<b>JAA25402AAH 013-015</b>			
<b>REF. No.</b>	<b>PART No.</b>	<b>DESCRIPTION</b>	
1	JCA21751AEJ003	Cabinet	
2	👁 Page 10	Power Module	
3	👁 Page 13	Relay Panel	
4	👁 Page 15	EMIB	
5	👁 Page 16	HVSW	
6	👁 Page 17	PCR	
7	👁 Page 18	DMPB	
8	👁 Page 19	BPX	
9	👁 Page 20	Fan Assembly	
10	ABA26800RN1	LVIB	
11	ABA26800VA4 ACA26800VA1	Processor Board	
12	JAA26807AHT004 JAA26807BHT001	LSPB	
13	JAA00225ADN001	Transformer (TRF1)	346 V–380 V
	JAA00225ADN002	Transformer (TRF1)	400 V –440 V
	JAA00225ADN003	Transformer (TRF1)	460 V –480 V
14	JAA00225ADP001	Transformer (TRF2)	346 V –380 V
	JAA00225ADP002	Transformer (TRF2)	400 V –440 V
	JAA00225ADP003	Transformer (TRF2)	460 V –480 V
15	JAA00232AFJ001	Resistor (B1)	
16	JAA00234ACC001	Inductor (L2)	
17	JAA00234ABY002	Inductor (L3)	
18	JAA00234ACD001	Inductor (L4/5)	
19	JAA00303AEH001	Terminal Block (TB2)	
20	👁 Page 21	Conductor	
21	JAA00226AHJ001	Capacitor (3f CAP)	
22	JAA00303AEG001	Terminal Block (TB1)	

**NOTE:** Transformers are chosen by the power supply.



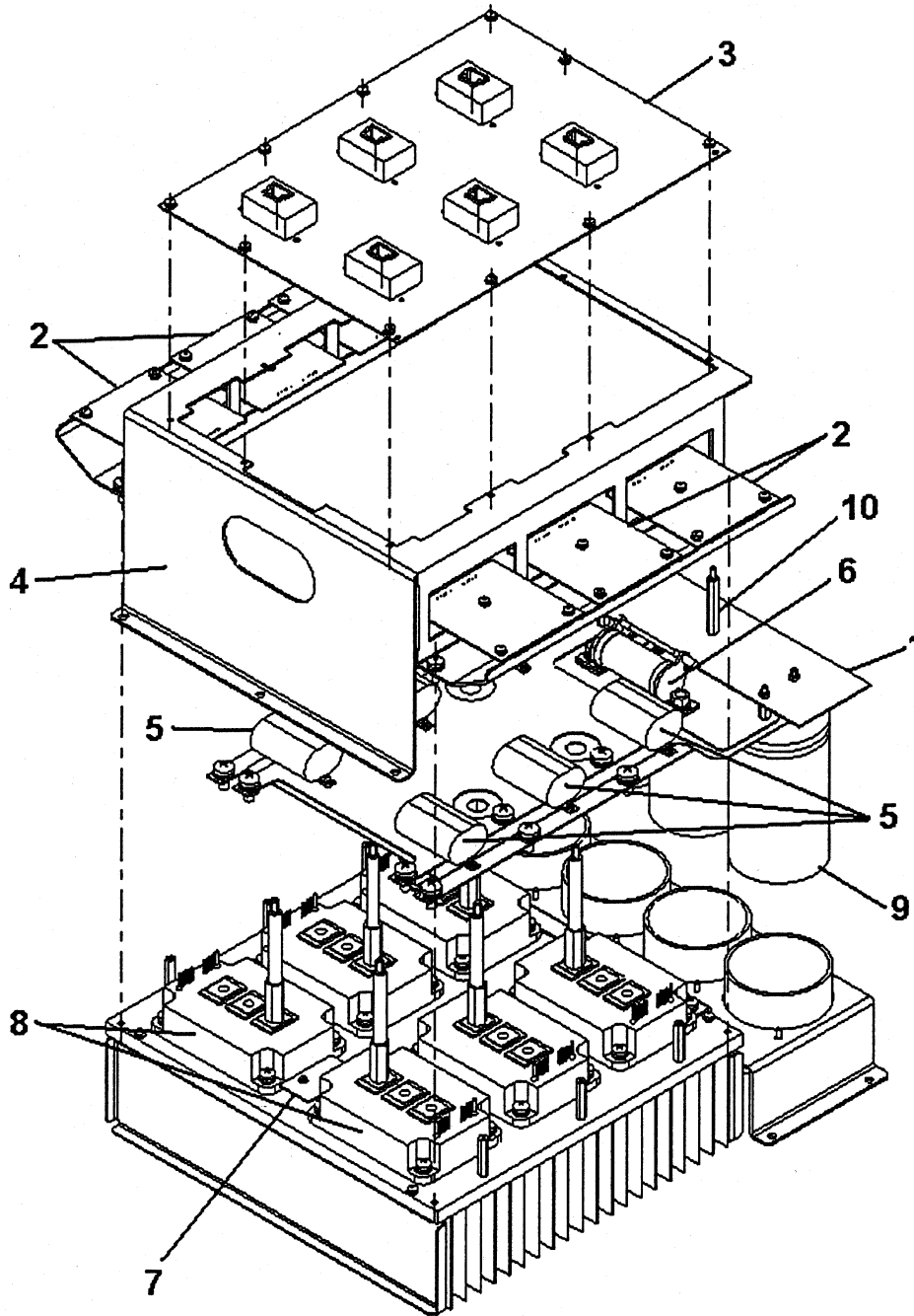


# CSA Version

**09-JAA25402AAH**

JAA25402AAH016			
REF. NO.	PART or ML.	DESCRIPTION	
1	JCA21751AEJ004	Cabinet	
2	 Page 10	Power Module	
3	 Page 14	Relay Panel	
4	 Page 15	EMIB	
5	 Page 16	HVSW	
6	 Page 17	PCR	
7	JAA26807BHE001	Damper Board	
8	 Page 19	BPX	
9	 Page 20	Fan Assembly	
10	ABA26800RN1	LVIB	
11	<del>ABA26800VA1</del> ACA26800VA1	Processor Board	
12	<del>JAA26807AHT001</del> JAA26807BHT001	LSPB	
13	JAA00225ADN001	Transformer (TRF1)	346 V–380 V
	JAA00225ADN002	Transformer (TRF1)	400 V–440 V
	JAA00225ADN003	Transformer (TRF1)	460 V–480 V
14	JAA00225ADP001	Transformer (TRF2)	346 V–380 V
	JAA00225ADP002	Transformer (TRF2)	400 V–440 V
	JAA00225ADP003	Transformer (TRF2)	460 V–480 V
15	JAA00232AFJ001	Resistor (B1)	
16	JAA00234ACC001	Inductor (L2)	
17	JAA00234ABY002	Inductor (L3)	
18	JAA00234ACD001	Inductor (L4/5)	
19	JAA00303AEH001	Terminal Block (TB2)	
20	JAA00303AEF001	Terminal Block (OUT)	
21	JAA00226AHJ001	Capacitor (3f CAP)	
22	JAA00303AEG001	Terminal Block (TB1)	

**NOTE:** Transformers are chosen by the power supply.

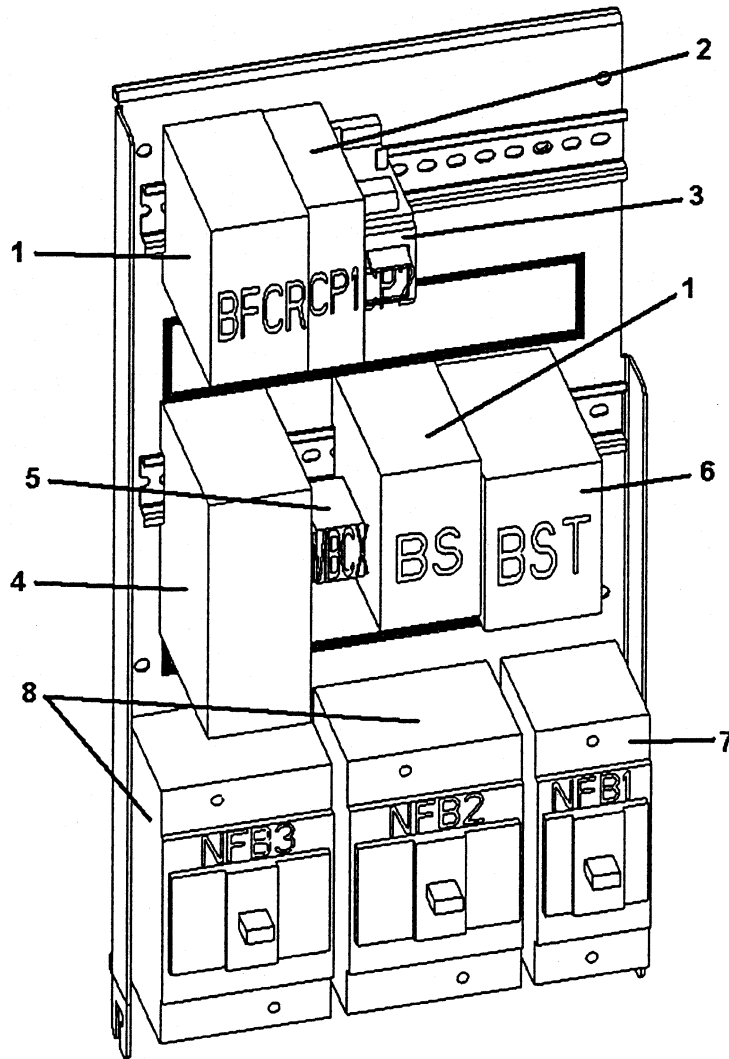


# Power Module

**09-JAA25402AAH**

JAA21350AAD			
	001	002	
REF. No.	PART No.		DESCRIPTION
1	JAA26807BHC001		DCIB
2	JAA26807BHB001		IIB
3	JAA26807BGZ001		HVIB
4	JAA00316DNE001		Bracket
5	JAA00226AEP001		Capacitor, Fixed
6	JAA00375AAB041		Fuse
7	JAA26807BHW001		Temperature Sensor Board
8	JAA00601ACN001		Transistor
9	JAA00226AEM002		Capacitor, fixed
10	---	JAA00354AAT001	Distance Piece

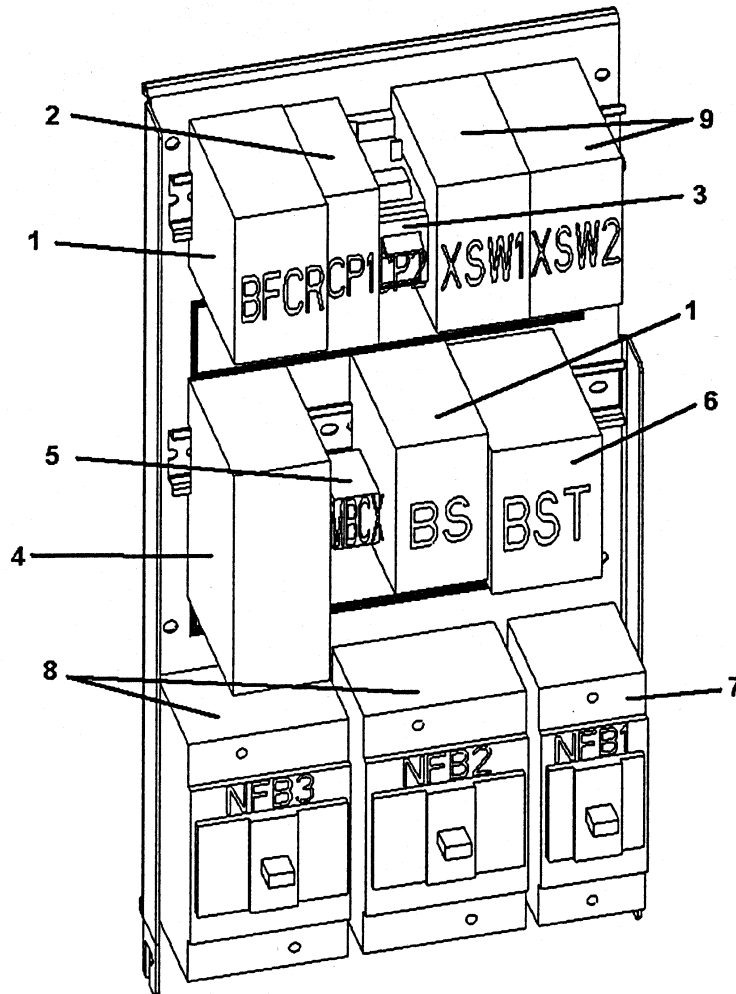
**Remarks:** JAA21350AAD001, w/o Battery  
JAA21350AAD002, w/Battery



W/O VINTAGE		
REF. No.	PART No.	DESCRIPTION
1	JAA00613ABB002	Conductor (BS/BFCR)
2	JAA00630AAB326	Circuit Protector (CP1)
3	JAA00630AAB126	Circuit Protector (CP2)
4	JAA00613ADB001	Relay (MBC)
5	JO613DD15	HC Relay (MBCX)
6	JAA00613ADZ001	Timer (BST)
7	JAA21389AAN001	Breaker (NFB1)
8	JAA21389AAM001	Breaker (NFB2, 3)

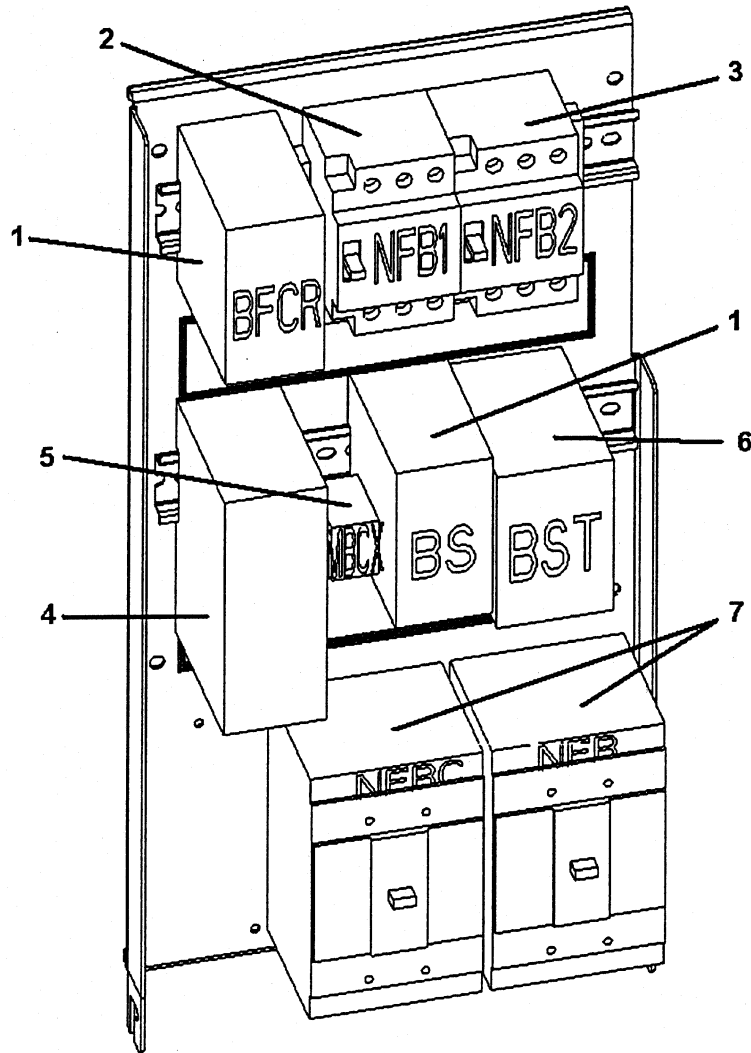
# Relay Assembly (CEN)

09-JAA25402AAH



W/O VINTAGE		
REF. No.	PART No.	DESCRIPTION
1	JAA00613ABB002	Conductor (BS/BFCR)
2	JAA00630AAB326	Circuit Protector (CP1)
3	JAA00630AAB126	Circuit Protector (CP2)
4	JAA00613ADB001	Relay (MBC)
5	JO613DD15	HC Relay (MBCX)
6	JAA00613ADZ001	Timer (BST)
7	JAA21389AAN001	Breaker (NFB1)
8	JAA21389AAM001	Breaker (NFB2, 3)
9	JAA00613AAB105	Conductor (XSW1, 2)

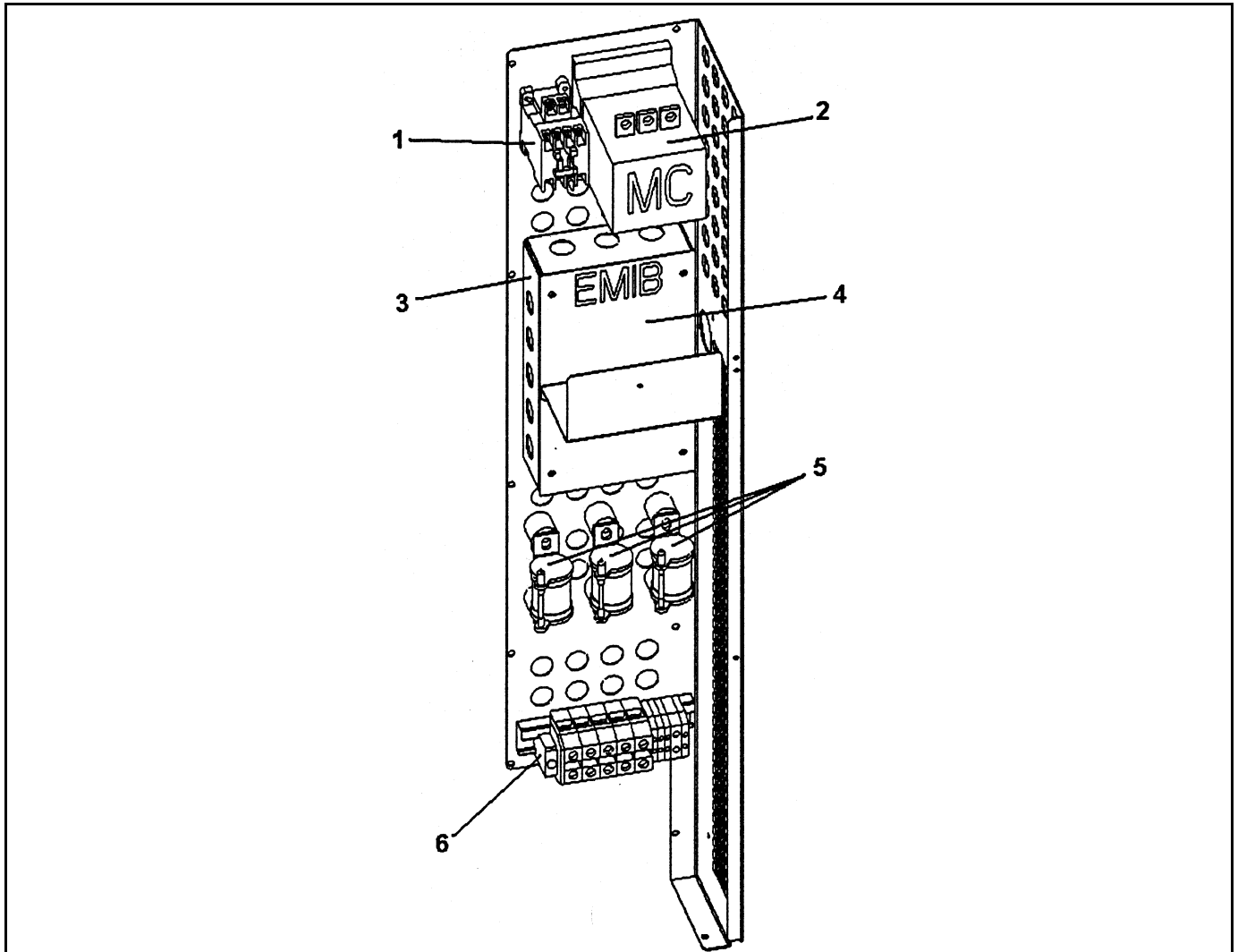
**Relay Assembly (CSA)**



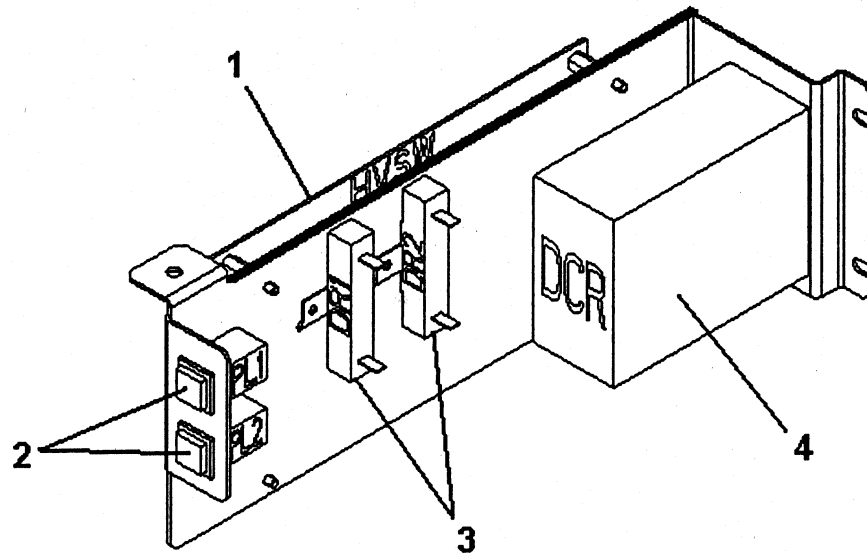
W/O VINTAGE		
REF. No.	PART No.	DESCRIPTION
1	JAA00613ABB002	Conductor (BS/BFCR)
2	JAA21398AAY006	Breaker (NFB1)
3	JAA21398AAY005	Breaker (NFB2)
4	JAA00613ADB001	Relay (MBC)
5	JO613DD15	HC Relay (MBCX)
6	JAA00613ADZ001	Timer (BST)
7	AAA637K1	Breaker (NFB, NFBC)

# EMIB

**09-JAA25402AAH**

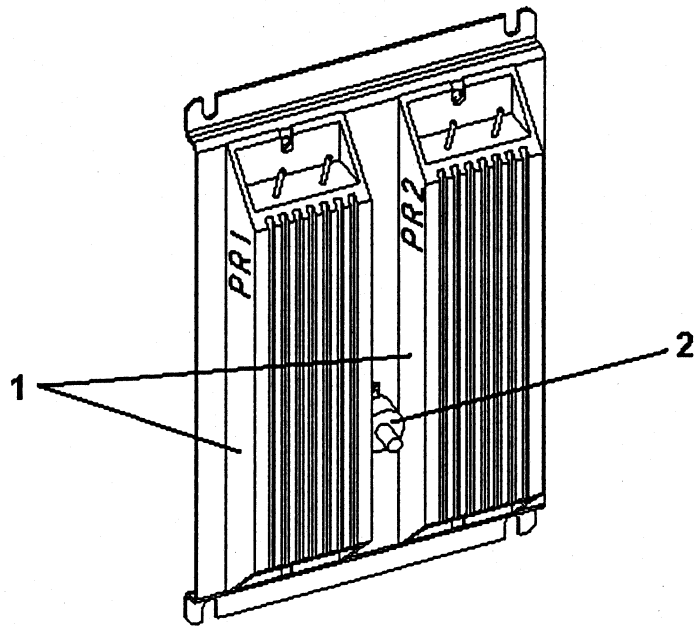


W/O VINTAGE			
REF. No.	PART No.	DESCRIPTION	
1	JAA00613ABP002	Relay (PCR)	
2	JO613DS72	Conductor (MC)	
3	JAA00234ACB001	Inductor (L1)	
4	JAA26807BHD001	EMIB	
5	JO375P30	Fuse (F1, 2, 3)	
6	JAA00303AEB001	Terminal Block (IN)	JPA / APA Version
	JAA00303AEC001	Terminal Block (IN)	CEN Version w/TBC
	JAA00303AED001	Terminal Block (IN)	CEN Version
	JAA00303AEE001	Terminal Block (IN)	CSA Version w/TBC

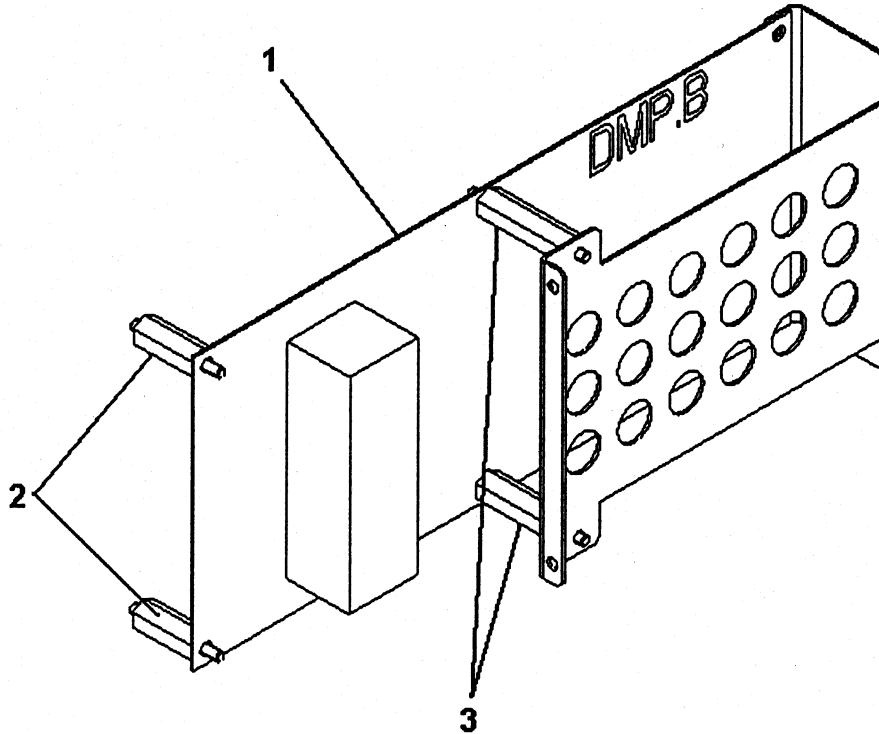


W/O VINTAGE		
REF. No.	PART No.	DESCRIPTION
1	JBA26807BHV001	HVSW
2	JAA00424ABC001	Pilot Lamp (PL1, 2)
3	JAA00232AEK001	Resistor (DR1, 2)
4	JAA00613ABC019	Conductor (DCR)

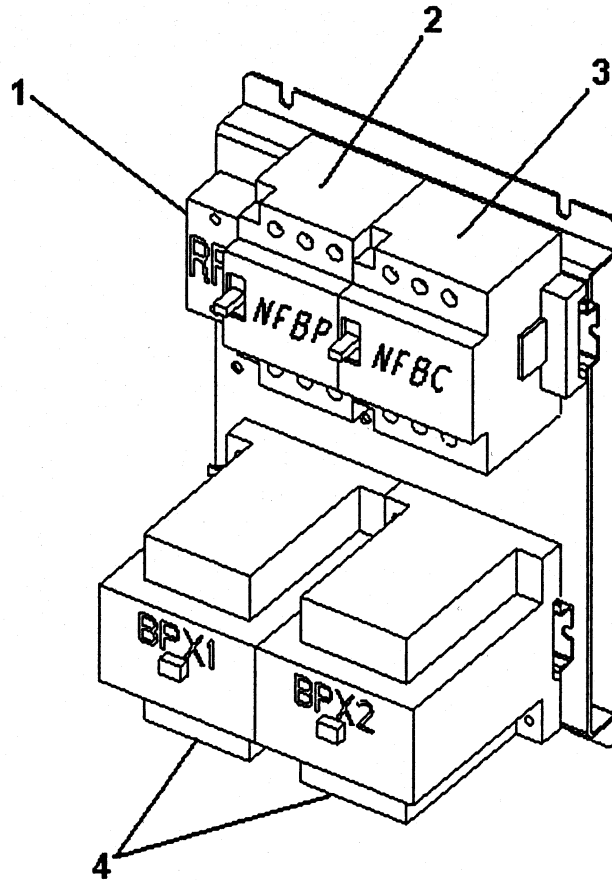




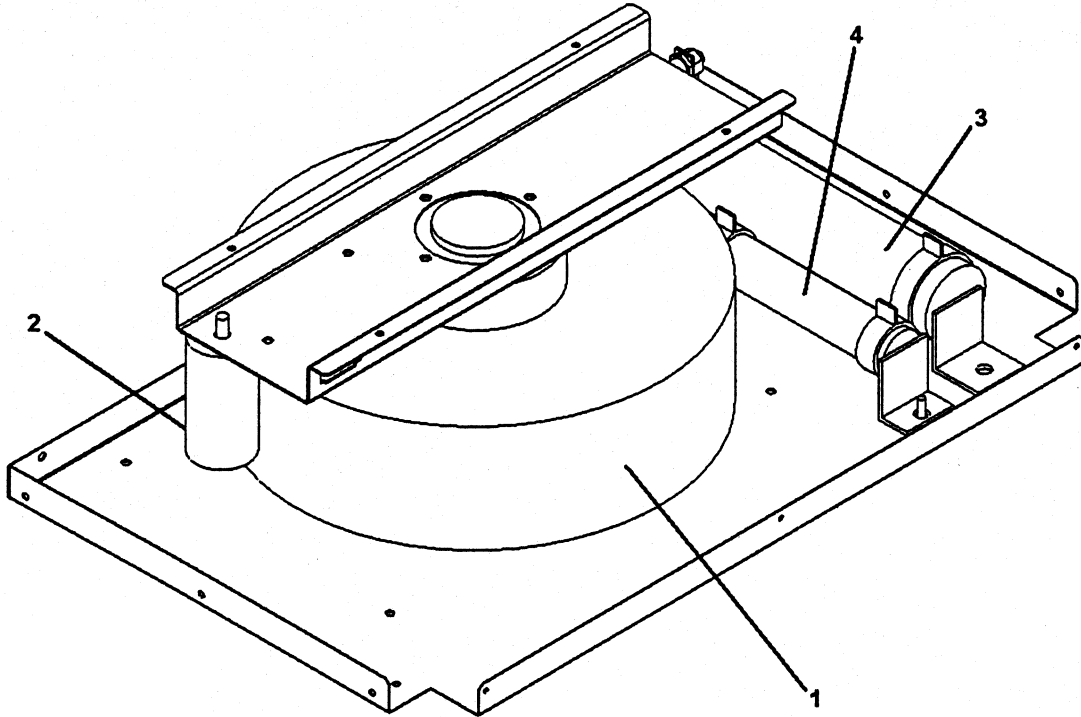
<b>W/O VINTAGE</b>		
<b>REF. No.</b>	<b>PART No.</b>	<b>DESCRIPTION</b>
1	JAA00232ADX001	Resistor (PR1, 2)
2	JO177CM3	Thermo Switch (THS)



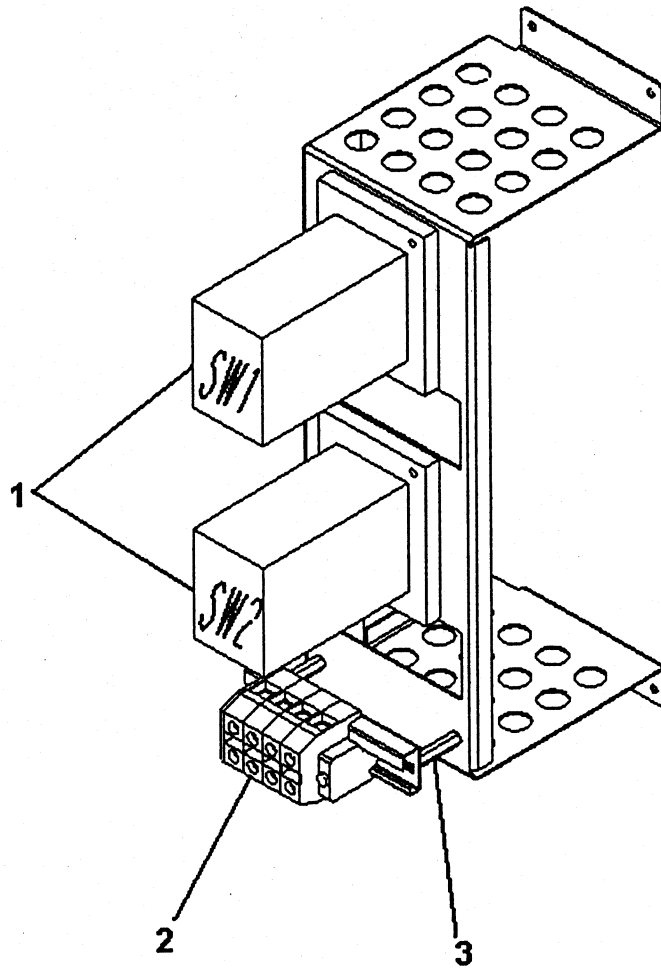
<b>W/O VINTAGE</b>		
<b>REF. No.</b>	<b>PART No.</b>	<b>DESCRIPTION</b>
1	JAA26807BHE001	Damper Board
2	JAA00354AAP001	Distance Piece
3	JAA00354AAP002	Distance Piece



W/O VINTAGE			
REF. No.	PART No.	DESCRIPTION	
1	JAA00616ACJ001	Rectifier (RF1)	
2	JAA21398AAY007	Breaker (NFBP)	JPA, APA & CEN code
	JAA21398AAZ007	Breaker (NFBP)	CSA code
3	JAA21398ABE12	Breaker (NFBC)	Used Only w/CEN code
4	JO613DS71	Conductor (BPX1, 2)	



<b>W/O VINTAGE</b>		
<b>REF. No.</b>	<b>PART No.</b>	<b>DESCRIPTION</b>
1	JAA00301AAJ001	Fan
2	JAA00226AFR001	Capacitor (C1)
3	JAA00232AFK001	Resistor (B2)
4	JAA00232AFL001	Resistor (B3)



W/O VINTAGE		
REF. No.	PART No.	DESCRIPTION
1	JAA00613AEA001	Conductor
2	JAA00303AEF001	Terminal Block (OUT)
3	JO354AL7	Distance Piece