

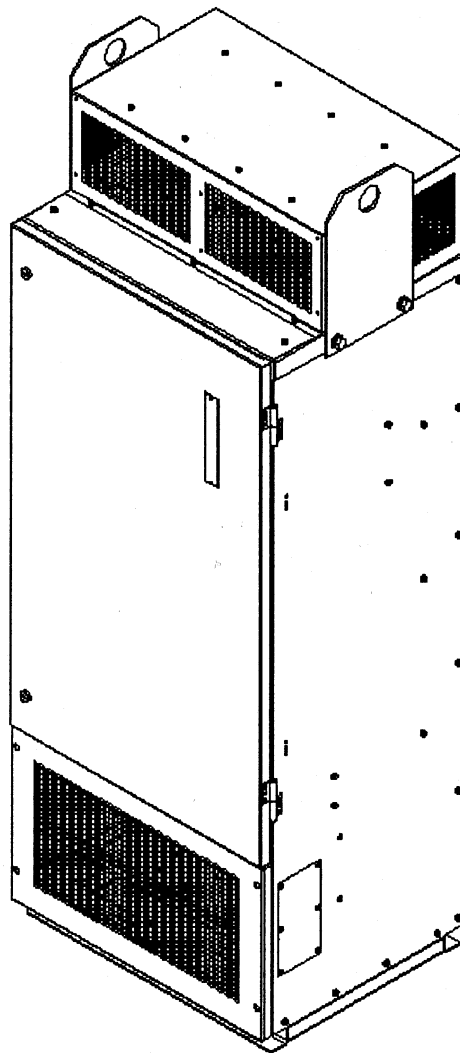
**OVF428
(CSA Version)**

Spare Parts Leaflet

09-JAA25402AAK

February 20, 2002 / Page 1 of 13

Supersedes SPL 09-JAA25402AAK Dated August 1, 2001



Unpublished Work—© Otis Elevator Co.; 2002

OTIS

Safety First!

SERVICE ENGINEERING

Otis Elevator Company

Bloomfield, Connecticut USA

Leaflet Description

This leaflet provides spare parts information for OVF428 (CSA Version).

Leaflet Revisions

Date Revised	Subject Matter Expert	Reason for Revision
August 1, 2001	Hirayama Hiroyuki	New SPL
February 20, 2002	Yamaoka Takayuki	Update parts.

Related Drawings

Drawing No.	Title	Drawing No.	Title
JAA25402AAK	Assembly E411-OVF	JAA21350AAB	Capacitor Module
JBA21350AAA	Power Module Assembly	JBA21350AAC	EMI Filter Assembly

Related Documents

Document ID	Title
---	---
---	---

Subject Matter Expert

Name	Department
Yamaoka Takayuki	Nippon Otis Modernization Center

About Spare Parts Leaflets...

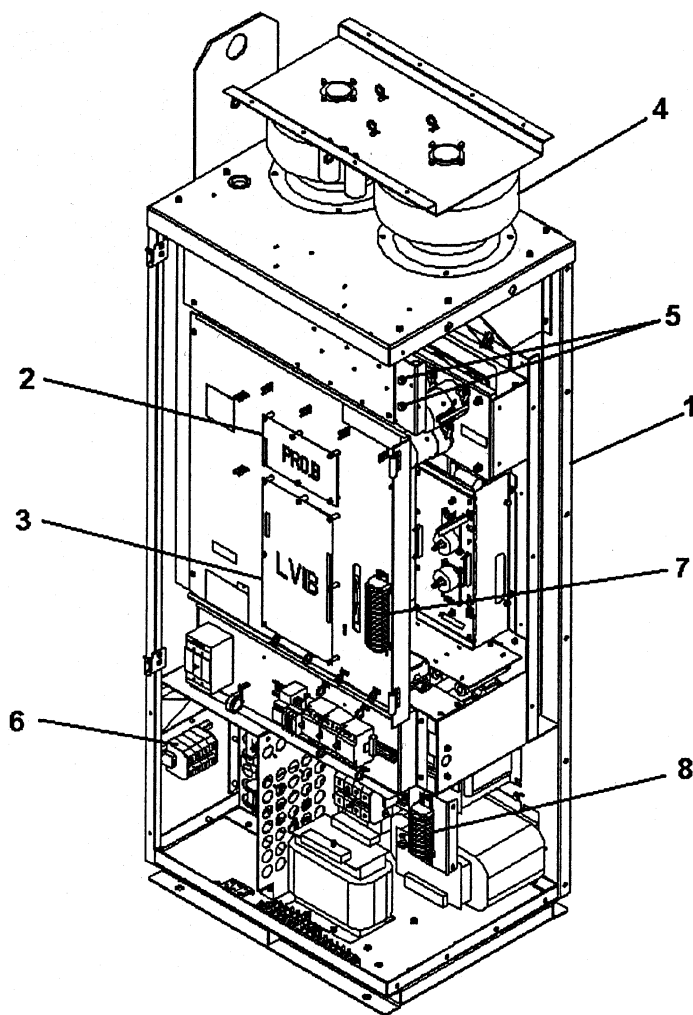
This document lists the lowest replaceable units (LRUs) for the standard version of the product. The LRUs are chosen by a team of Otis associates representing engineering and manufacturing.


While goal of this document is to make parts identification as easy as possible, the document cannot be all-inclusive. Elevator and escalator contracts classified as "special" or "custom" are not addressed here. For such contracts, please refer to specified information, the contract folder, TIPs, Field Education Articles, Construction Letters, etc. for further information.

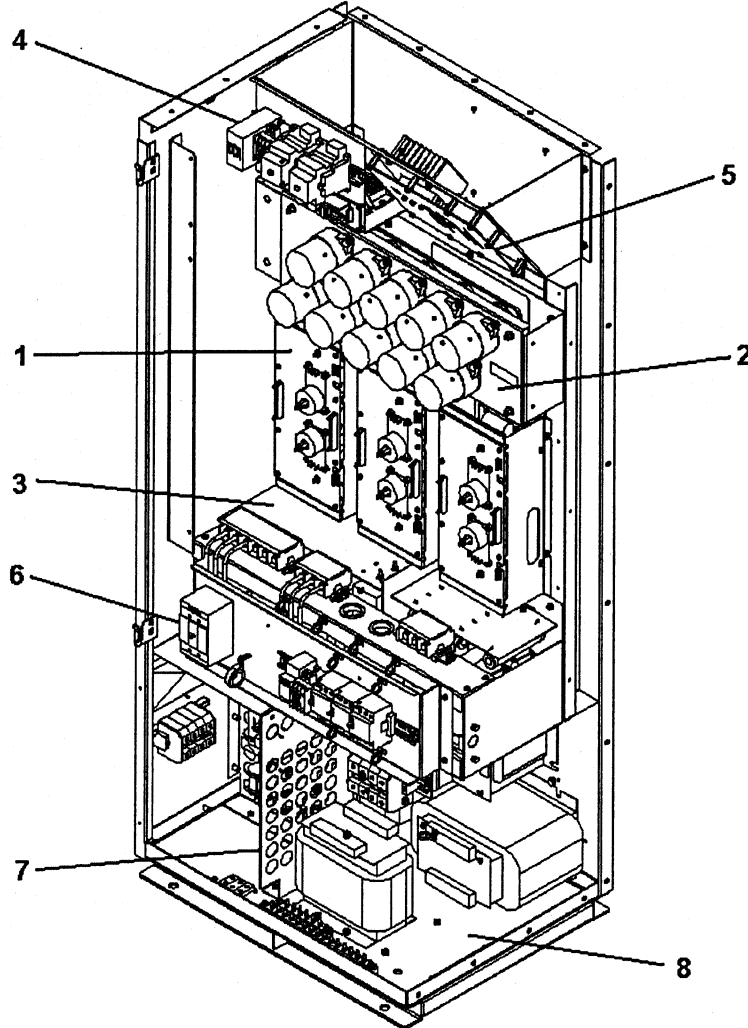
If you have any suggestions about this document, please contact the subject matter expert listed on this page.

OVF428 Assembly

09-JAA25402AAK



JAA25402AAK		
REF. No.	PART No.	DESCRIPTION
1	JAA21751AEH004	Cabinet
2	ABA26800VA1 ACA26800VA1	PROC. Board
3	ACA26800RN1	LVIB
4	 Page 5	Fan Assembly
5	JAA00424AAW001	Pilot Lamp
6	JAA00303ADK001	Terminal (TB1)
7	AAA303EP10, AAA303EP14	Terminal Block & End Plate
8	JAA00303ADL001	Terminal (TB2)

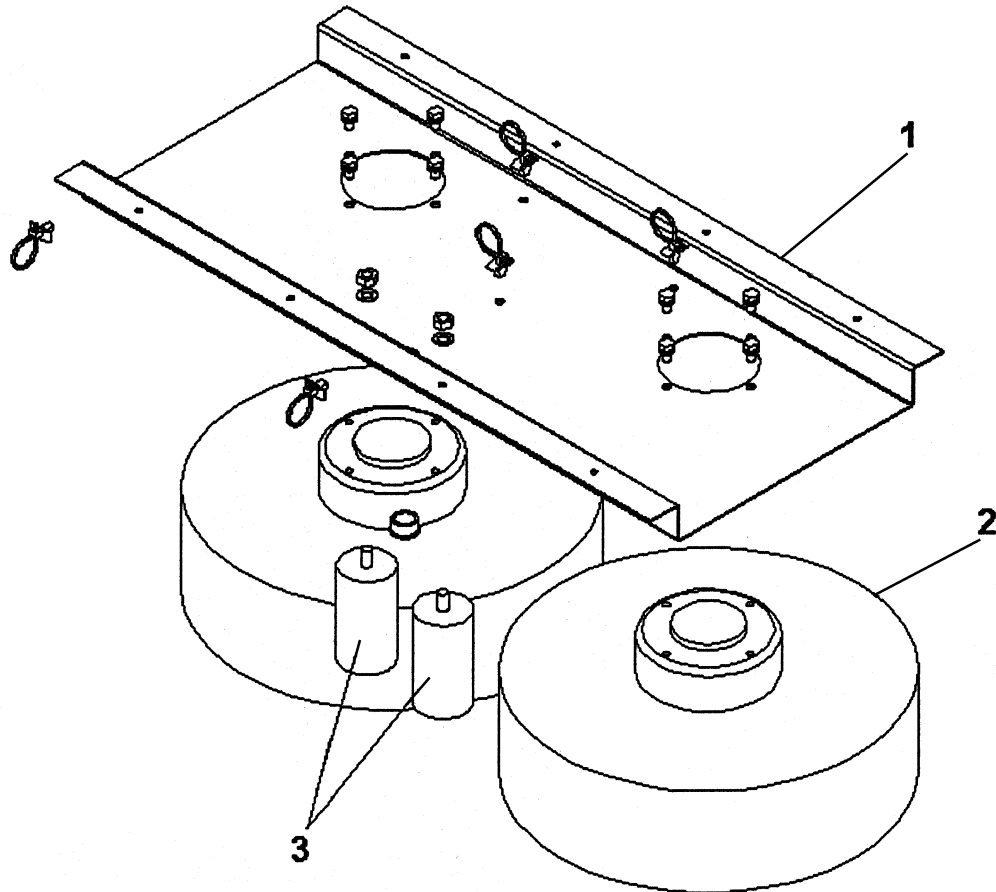


JAA25402AAK

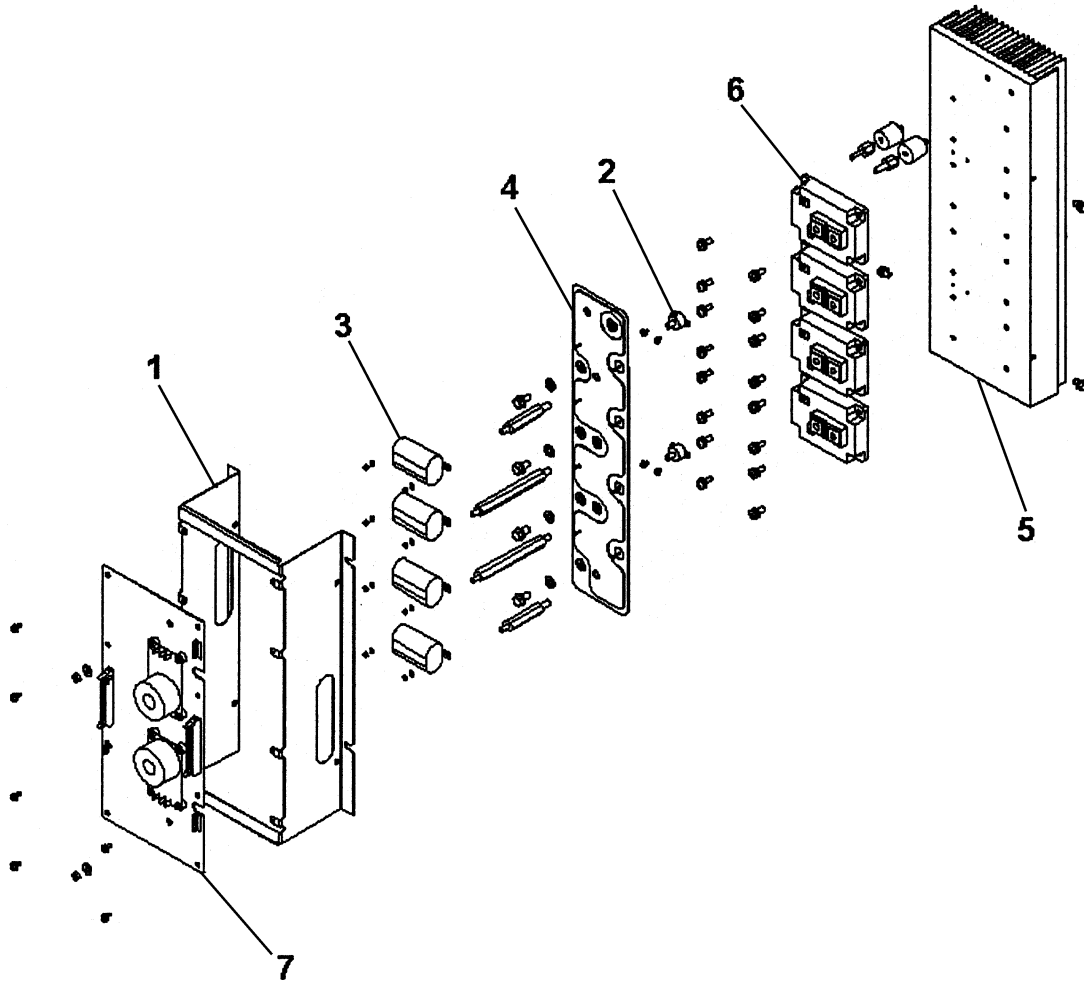
REF. No.	PART No.	DESCRIPTION
1	👁 Page 6	Power Module
2	👁 Page 7	Capacitor Bank
3	👁 Page 8	EMI Filter
4	👁 Page 9	Relay Assembly
5	👁 Page 10	BPM Assembly
6	👁 Page 11	Breaker Assembly
7	👁 Page 12	MC Assembly
8	👁 Page 13	Bottom

Fan Assembly

09-JAA25402AAK



W/O VINTAGE		
REF. No.	PART No.	DESCRIPTION
1	JAA00438AZX001	Bracket
2	JAA00301AAJ001	Fan
3	JAA00226AFR001	Capacitor

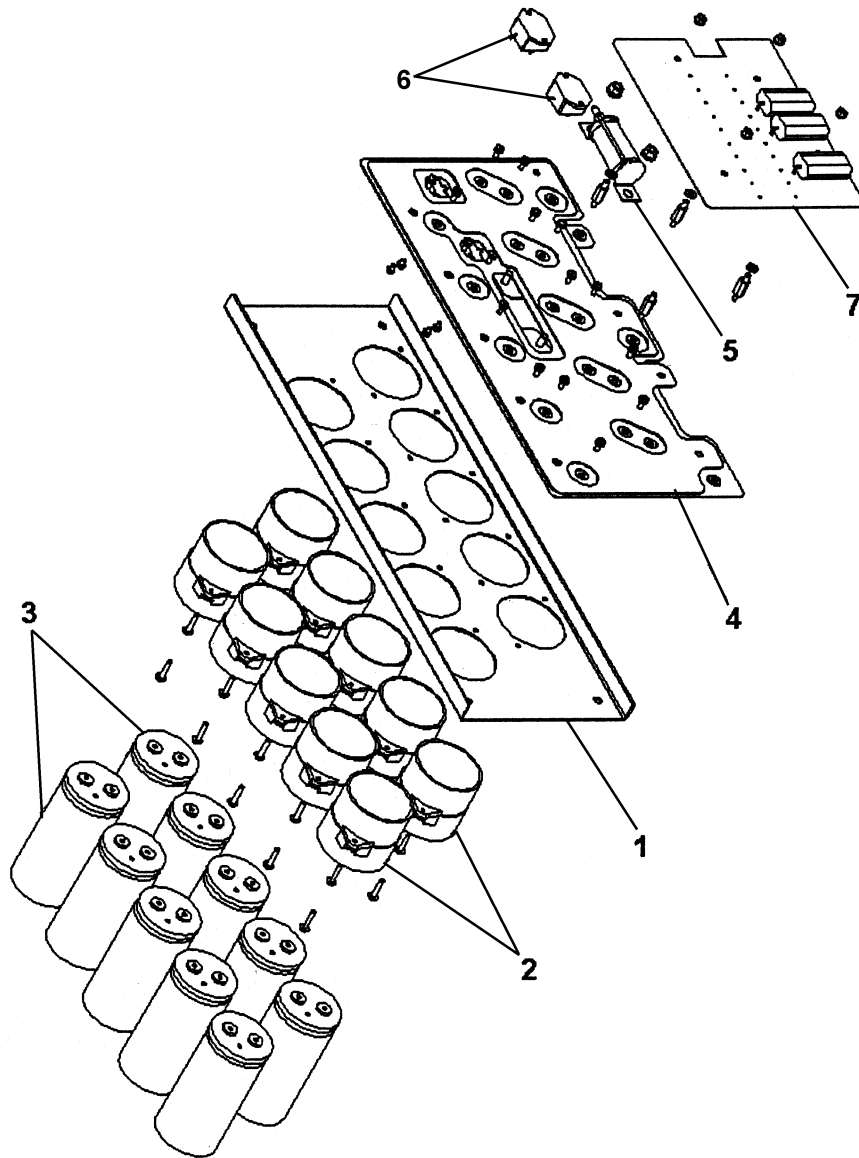


JBA21350AAA003

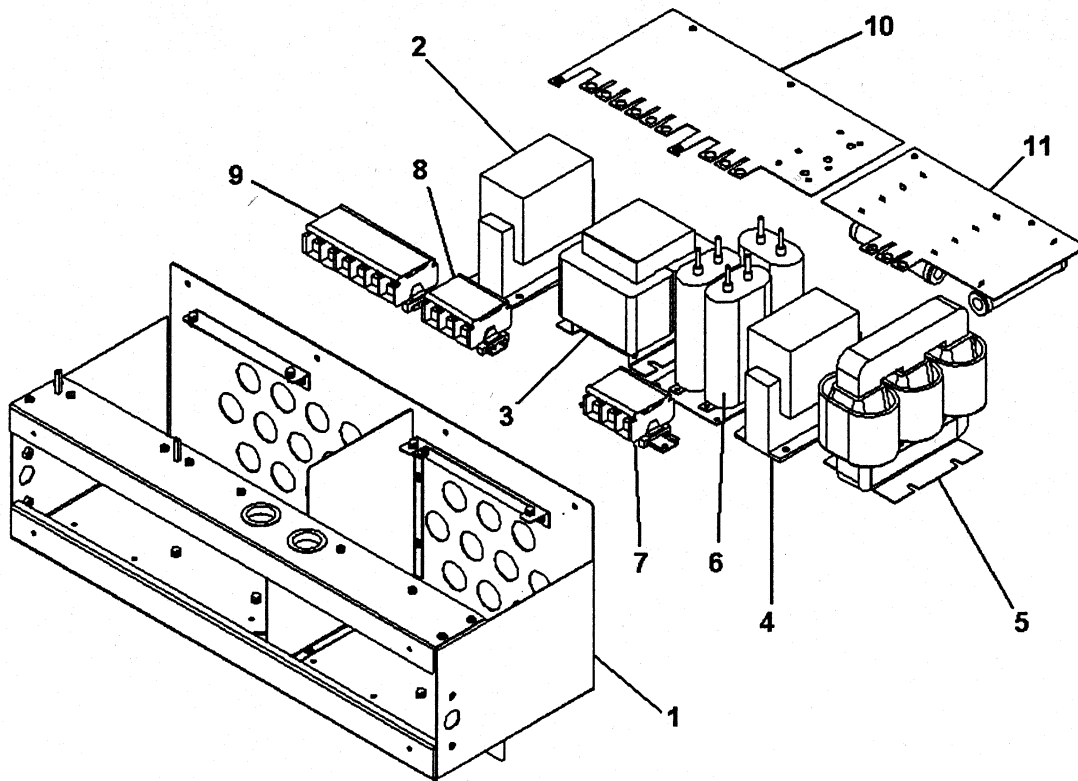
REF. No.	PART No.	DESCRIPTION
1	JAA00285AFV001	Cover
2	JO177CM3	Thermo Switch
3	JAA00226AEP001	Capacitor
4	JAA00252ACE001	Sandwich
5	JAA00600ABR002	Heat Sink
6	JAA00601ACE001	IGBT
7	JBA26807BEM002	HVIB

Capacitor Bank

09-JAA25402AAK



JAA21350AAB002		
REF. No.	PART No.	DESCRIPTION
1	JAA00382AFE001	Upright
2	JAA00180ACT001	Capacitor Holder
3	JAA00226AEM001	Capacitor
4	JAAA00252ACF001	Sandwich Bus
5	JAA00375AAB044	Fuse
6	JAA00612ACM001	Diode
7	JAA26807BEP001	DCIB

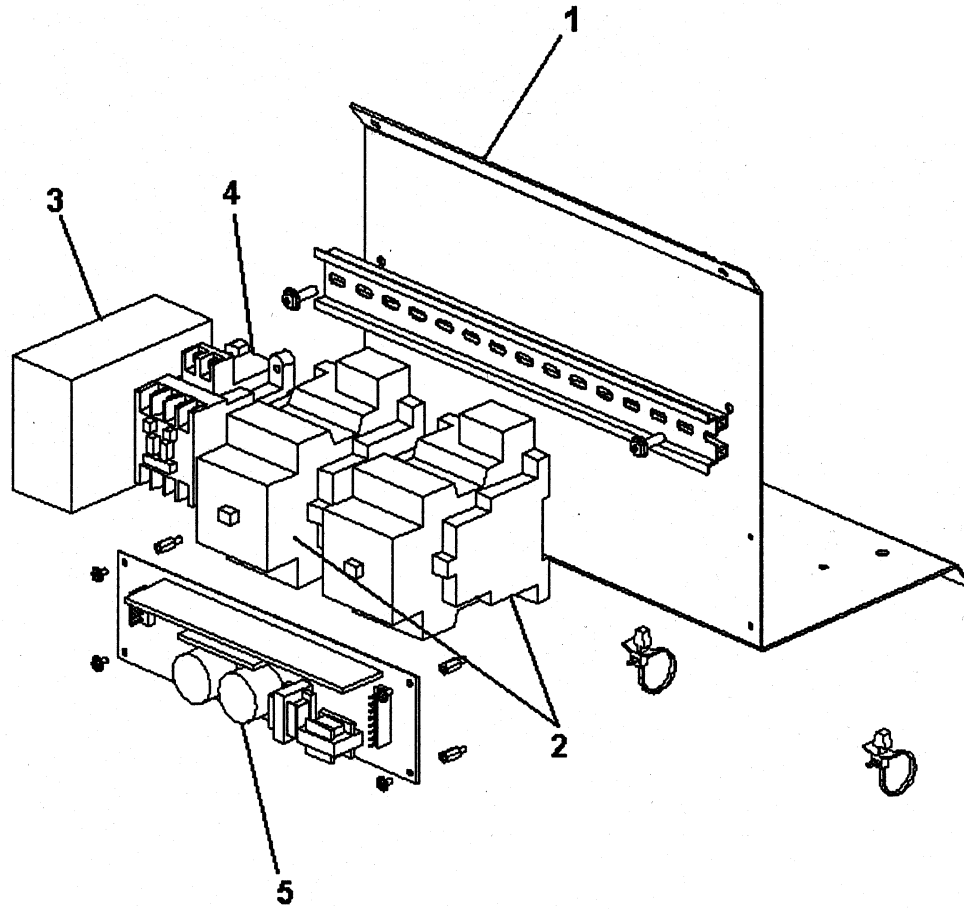


JBA21350AAC014

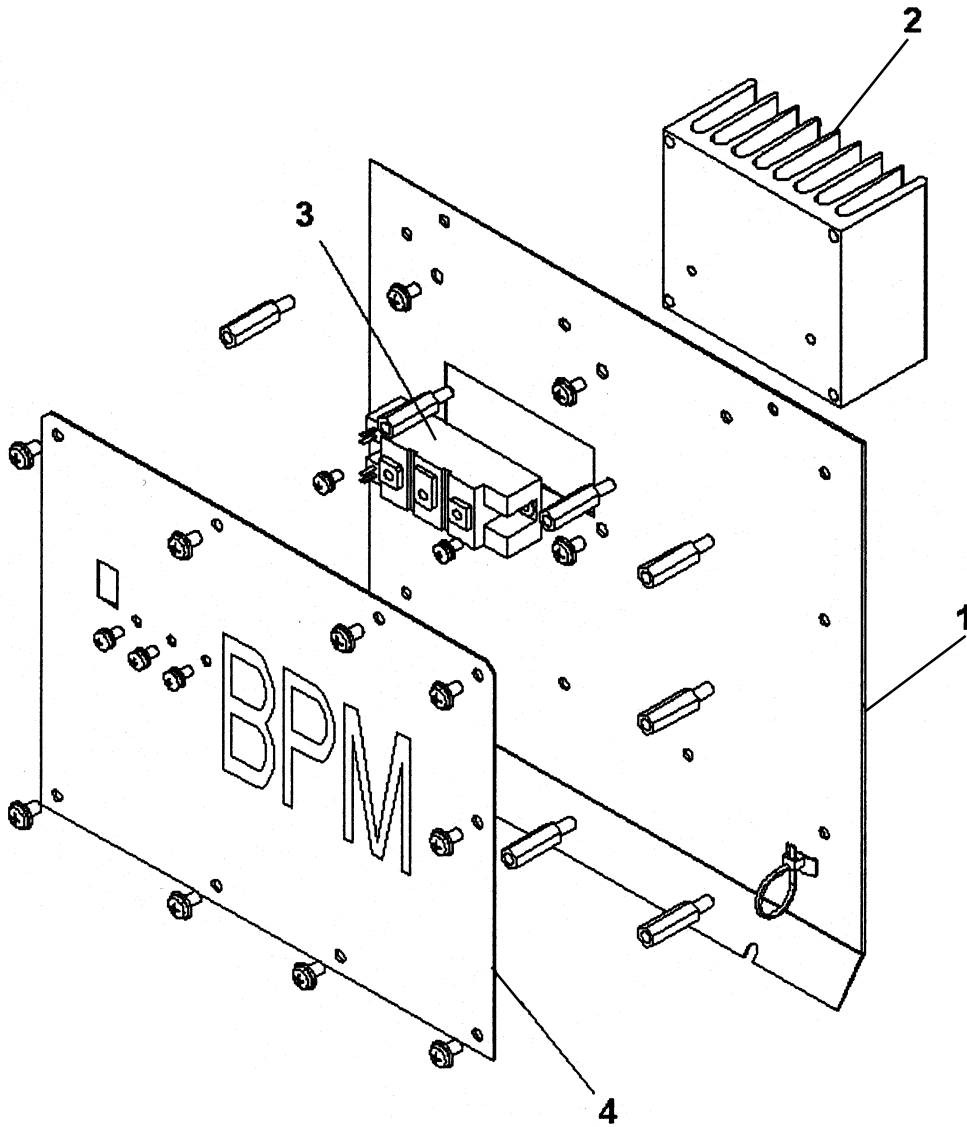
REF. No.	PART No.	DESCRIPTION
1	JAA25402AAB001	Box Assembly
2	JAA00234ABB011	Inductor
3	JAA00234ABY001	Inductor
4	JAA00234ABB015	Inductor
5	JAA00234ABD011	Inductor
6	JAA00226AEN001	Oil Condenser
7	JAA00303ACW001	Terminal
8	JAA00303ACW003	Terminal
9	JAA00303ACW004	Terminal
10	JAA26807BJC001	EMIB-A
11	JAA26807BJT001	EMIB-B

Relay Assembly

09-JAA25402AAK



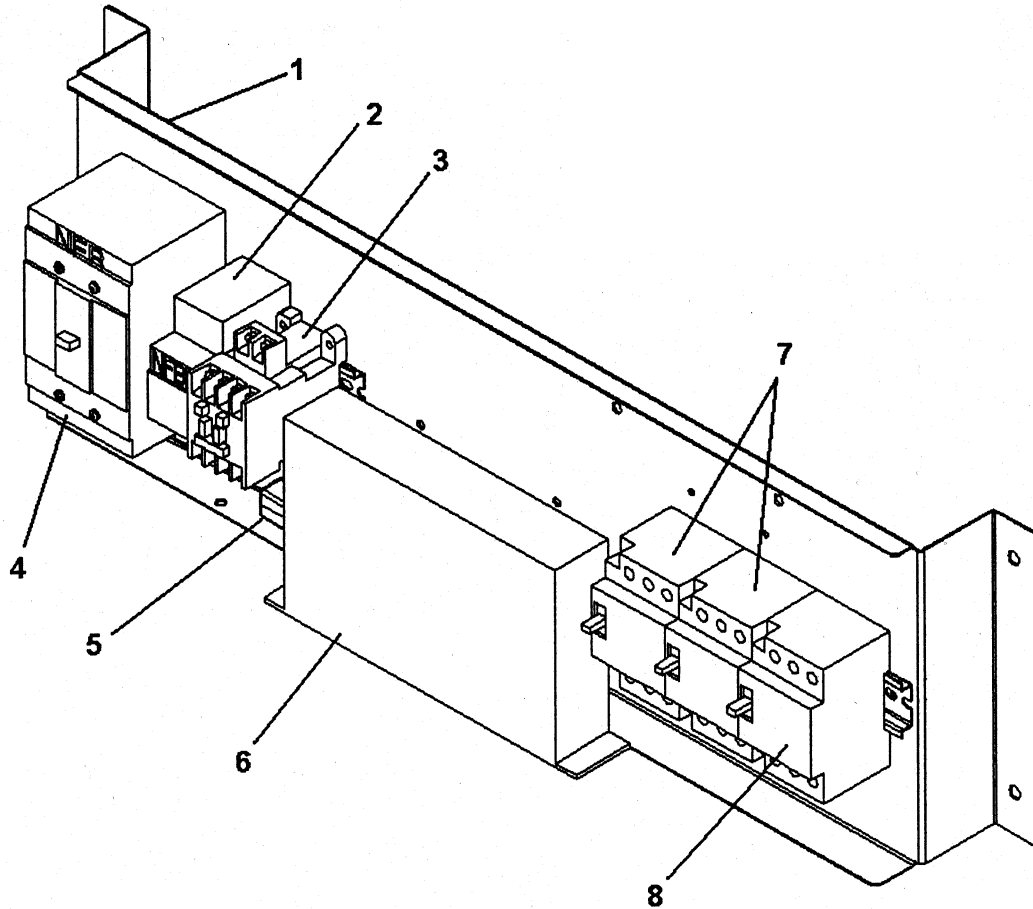
W/O VINTAGE		
REF. No.	PART No.	DESCRIPTION
1	JAA00433ACH001	Panel
2	JO613CC2	Relay (BPX1, 2)
3	JAA00613ABC019	Relay (DCR)
4	JAA00613ABP002	Relay (FAR)
5	JAA00621ACD001	Power Supply (PSR1)



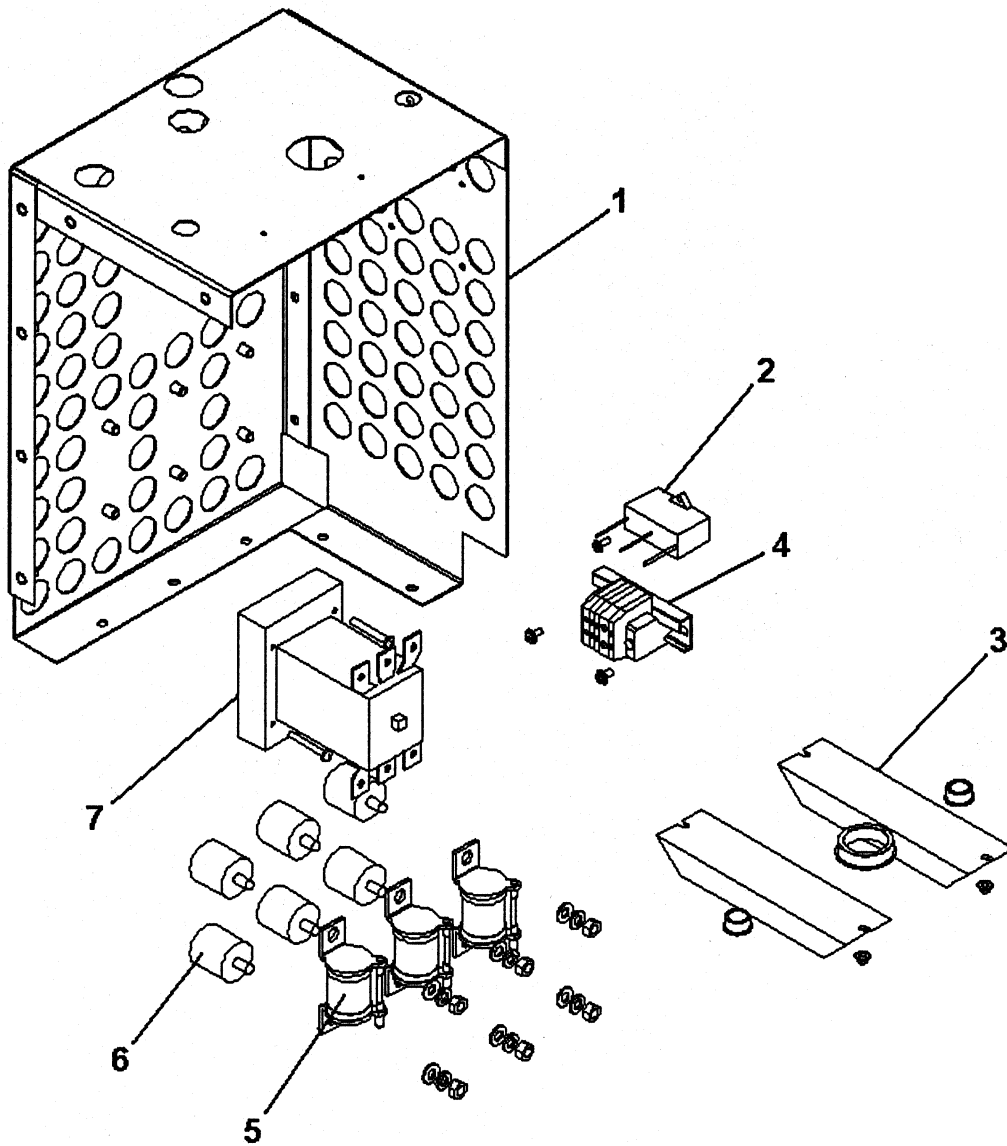
W/O VINTAGE		
REF. No.	PART No.	DESCRIPTION
1	JAA00433ACG001	Panel
2	JAA00600ABS002	Heat Sink
3	JAA00601ACD001	IGBT
4	JBA26807BEN003	BPM

Breaker Assembly

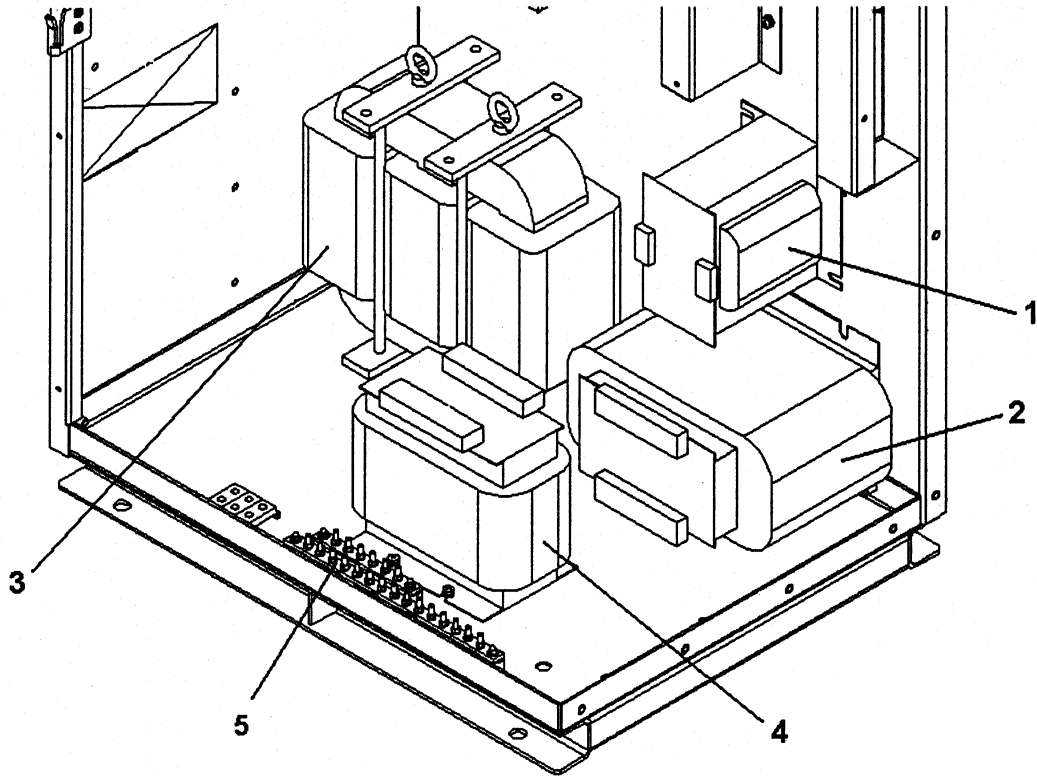
09-JAA25402AAK



REF. No.	W/O VINTAGE PART No.	DESCRIPTION
1	JAA433AGM1	Panel
2	JAA21398AAZ007	Breaker (NFBP)
3	JAA00613ABP002	Relay (PCR)
4	AAA637K1	Breaker (NFB)
5	JAA00233AAF003	Ferrite Core
6	AAA657A18	Noise Filter (NF1)
7	JAA21398AAY006	Breaker (NFB1,2)
8	JAA21398AAY007	Breaker (NFB3)



W/O VINTAGE		
REF. No.	PART No.	DESCRIPTION
1	JAA00438AZZ001	Panel Assembly
2	JAA00226AGN001	Capacitor
3	JAA00232ADX001	Resistor
4	JAA00303AEA001	Terminal (TB4)
5	JO375P32	Fuse
6	JO462CM2	Insulator
7	JO613DS66	Main Contractor (MC)



W/O VINTAGE		
REF. No.	PART No.	DESCRIPTION
1	JAA00225ABM003	Transformer (TRF1)
2	JAA00225ACZ003	Transformer (TRF2)
3	JAA00234AAV011	Reactor
4	JAA00225ABP001	Transformer (TRF3)
5	JO316CHS2, JO462CM1	Bus Bar, Insulator