

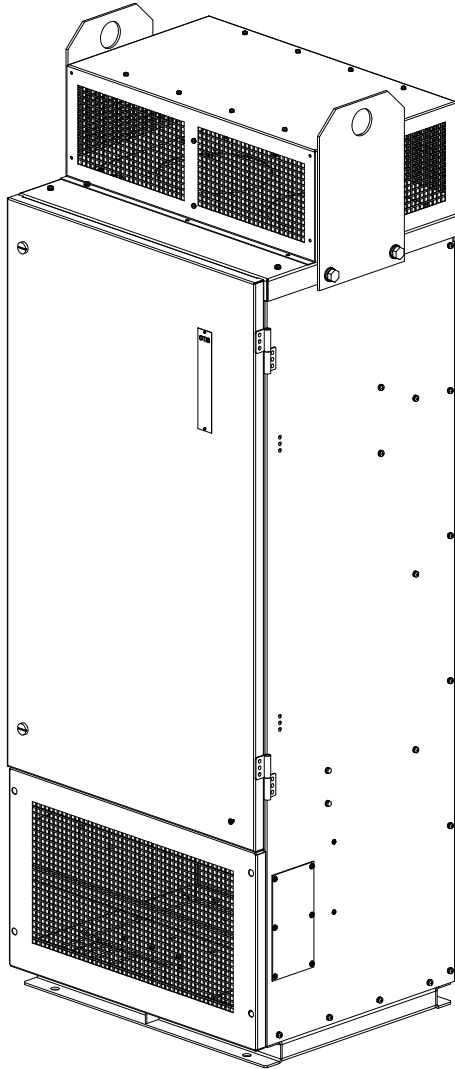
OVF428x, OVF428G
(DBSS)

Spare Parts Leaflet
09-JGA25402AAM

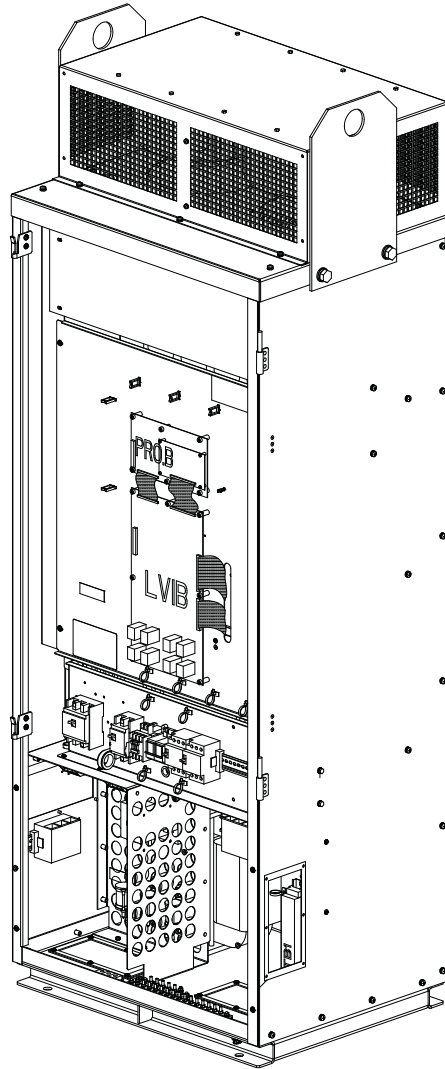
April 10, 2012 / Page 1 of 47

Supersedes SPL 09-JAA25402AAM 08, April, 2002

W / COVER



W / O COVER



Unpublished Work—© Otis Elevator Co.; 2012

OTIS

Safety First!

SERVICE ENGINEERING

Otis Elevator Company
Shibayama Factory, Japan

History
09-JGA25402AAM
First Published: Month 2012

OVF428x, OVF428G (DBSS)

REVISED DATE	AUTHOR	PRIMARY REASON FOR REVISION
December 1, 2000	Hirayama Hiroyuki	New SPL
August 1, 2001	Hirayama Hiroyuki	Writing error correction on p.16.
February 20, 2002	Yamaoka Takayuki	Update parts & art work.
April 8, 2002	Hirayama Hiroyuki	Update parts & art work.
April 10, 2012	Yamaoka Takayuki	Revised Edition.

Leaflet Description

This leaflet provides spare parts information for OVF 428X & 428G DRIVE.

RELATED LEAFLET NUMBERS	TITLES
---	---
---	---

DRAWING REFERENCES		
JGA25402AAM	ADA26800RN (for X Drive)	JAA21350AAH
JCA21350AAJ	JAA21350AAB	JCA21350AAA
JAA21350AAG	JEA21350AAL	JAA21350ABB
JBA21350AAM	JBA21350AAK	JBA26807CBL (for G Drive)

RELATED DOCUMENT NUMBERS	TITLES
---	---
---	---

This Spare Parts Leaflet (SPL) is prepared to assist you in determining the Lowest Replaceable Units (LRU) supported by the Otis Service Center for the standard version of the product titled on the preceding page. The parts are chosen by Otis associates from: Engineering, Field Engineering, Service Engineering, and Manufacturing. We attempt to make part identification as easy as possible. The SPL, however, cannot be all inclusive. Elevator and escalator contracts classified as either "special" or "custom" are not addressed. Alternative sources of information such as: the Contract Folder, Technical Information Publications, Field Education Articles, Construction Letters, etc. may give the information you are after. You live in the real world of maintaining your elevator and escalator contracts. On a daily basis, situations arise regarding parts identification and at times, for some reason, the part you need is not in the SPL. If you think a standard part not listed should be—let us know. We will respond.





--

Yamaoka, Takayuki-Nippon OTIS Service Center

OVF 428X (DBSS)

09-JGA25402AAM





ARRANGEMENT (X DRIVE)

JAA25402AAM_~ JFA25402AAM_or JGA25402AAM_						
ASSEMBLY NO.	VER.	VOLTAGE	W/ BATT.	NOTE	CONTR OLLER	MAC HINE
JFA25402AAM1	JPA  Page 10, 11	346V-380V	---	E-82G"D"	E411 MCS412	PM30T
JFA25402AAM2		400V-440V				
JFA25402AAM3		460V-480V				
JFA25402AAM4		346V-380V	W/ BATTERY			
JFA25402AAM5		400V-440V				
JFA25402AAM6		460V-480V				
JFA25402AAM7	APA  Page 10, 11	346V-380V	---	UT BLUE		
JFA25402AAM8		400V-440V				
JFA25402AAM9		460V-480V				
JFA25402AAM10		346V-380V	W/ BATTERY			
JFA25402AAM11		400V-440V				
JFA25402AAM12		460V-480V				
JGA25402AAM13	CEN  Page 12, 13	346V-380V	---	CAPRI BLUE		
JGA25402AAM14		400V-440V				
JGA25402AAM15		460V-480V				
JGA25402AAM16		346V-380V		UT BLUE		
JGA25402AAM17		400V-440V				
JGA25402AAM18		460V-480V				
JGA25402AAM19	CSA  Page 14, 15	460V-480V	---			
JGA25402AAM20				W/ BLOWER		

09-JGA25402AAM

OVF 428X (DBSS)





ARRANGEMENT (X DRIVE)

JGA25402AAM_ JFA25402AAM_or JGA25402AAM_						
ASSEMBLY NO.	VER.	VOLTAGE	W/ BATT.	NOTE	CONTR OLLER	MACHINE
JFA25402AAM21	JPA  Page 10, 11	346V-380V	---	E- 82G"D"	E411 MCS412	IM40T W/ BLOWER
JFA25402AAM22		400V-440V				
JFA25402AAM23		460V-480V				
JFA25402AAM24		346V-380V	W/ BATTERY			
JFA25402AAM25		400V-440V				
JFA25402AAM26		460V-480V				
JFA25402AAM27	APA  Page 10, 11	346V-380V	---	UT BLUE	E411 MCS412	IM40T W/ BLOWER
JGA25402AAM28		400V-440V				
JFA25402AAM29		460V-480V				
JFA25402AAM30		346V-380V	W/ BATTERY			
JFA25402AAM31		400V-440V				
JFA25402AAM32		460V-480V				
JGA25402AAM33	CEN  Page 12, 13	346V-380V	---	CAPRI BLUE	E411 MCS412	IM40T W/ BLOWER
JGA25402AAM34		400V-440V				
JGA25402AAM35		460V-480V				
JGA25402AAM36		346V-380V		UT BLUE		
JGA25402AAM37		400V-440V				
JGA25402AAM38		460V-480V				
JGA25402AAM39	CSA  Page 14, 15	460V-480V				

OVF 428G (DBSS)

09-JGA25402AAM





ARRANGEMENT (G DRIVE)

JEA25402AAM_ JFA25402AAM_or JGA25402AAM_						
ASSEMBLY NO.	VER.	VOLTAGE	W/ BATT.	NOTE	CONTR OLLER	MACHI NE
JFA25402AAM101	JPA  Page 41, 42	346V-380V	---	E-82G"D"	E411 MCS412	PM30T
JFA25402AAM102		400V-440V				
JFA25402AAM103		460V-480V				
JFA25402AAM104		346V-380V	W/ BATTERY			
JFA25402AAM105		400V-440V				
JFA25402AAM106		460V-480V				
JFA25402AAM107	APA  Page 41, 42	346V-380V	---	UT BLUE		
JFA25402AAM108		400V-440V				
JFA25402AAM109		460V-480V				
JFA25402AAM110		346V-380V	W/ BATTERY			
JFA25402AAM111		400V-440V				
JFA25402AAM112		460V-480V				
JGA25402AAM113	CEN  Page 43, 44	346V-380V	---	CAPRI BLUE		
JGA25402AAM114		400V-440V				
JGA25402AAM115		460V-480V				
JGA25402AAM116		346V-380V		UT BLUE		
JGA25402AAM117		400V-440V				
JGA25402AAM118		460V-480V				
JGA25402AAM119	CSA  Page 45, 46	460V-480V	---			
JGA25402AAM120				W/ BLOWER		

09-JGA25402AAM

OVF 428G (DBSS)





ARRANGEMENT (G DRIVE)

JEA25402AAM_ JFA25402AAM_or JGA25402AAM_						
ASSEMBLY NO.	VER.	VOLTAGE	W/ BATT.	NOTE	CONTR OLLER	MACHINE
JFA25402AAM121	JPA  Page 41, 42	346V-380V	---	E- 82G"D"	E411 MCS412	IM40T W/ BLOWER
JFA25402AAM122		400V-440V				
JFA25402AAM123		460V-480V				
JFA25402AAM124		346V-380V	W/ BATTERY			
JFA25402AAM125		400V-440V				
JFA25402AAM126		460V-480V				
JFA25402AAM127	APA  Page 41, 42	346V-380V	---	UT BLUE	E411 MCS412	IM40T W/ BLOWER
JFA25402AAM128		400V-440V				
JFA25402AAM129		460V-480V				
JFA25402AAM130		346V-380V	W/ BATTERY			
JFA25402AAM131		400V-440V				
JFA25402AAM132		460V-480V				
JGA25402AAM133	CEN  Page 43, 44	346V-380V	---	CAPRI BLUE	E411 MCS412	IM40T W/ BLOWER
JGA25402AAM134		400V-440V				
JGA25402AAM135		460V-480V				
JGA25402AAM136		346V-380V		UT BLUE		
JGA25402AAM137		400V-440V				
JGA25402AAM138		460V-480V				
JGA25402AAM139	CSA  Page 45, 46	460V-480V				

OVF 428G (DBSS)

09-JGA25402AAM





ARRANGEMENT (G DRIVE)

JEA25402AAM_ JFA25402AAM_or JGA25402AAM_						
ASSEMBLY NO.	VER.	VOLTAGE	W/ BATT.	NOTE	CONTRO LLER	MAC HINE
JFA25402AAM201	JPA  Page 41, 42	346V-380V	---	E-82G"D"	RS422 OVER CAN	PM30T
JFA25402AAM202		400V-440V				
JFA25402AAM203		460V-480V				
JFA25402AAM204		346V-380V	W/ BATTERY			
JFA25402AAM205		400V-440V				
JFA25402AAM206		460V-480V				
JFA25402AAM207	APA  Page 41, 42	346V-380V	---	UT BLUE		
JFA25402AAM208		400V-440V				
JFA25402AAM209		460V-480V				
JFA25402AAM210		346V-380V	W/ BATTERY			
JFA25402AAM211		400V-440V				
JFA25402AAM212		460V-480V				
JGA25402AAM213	CEN  Page 43, 44	346V-380V	---	CAPRI BLUE		
JGA25402AAM214		400V-440V				
JGA25402AAM215		460V-480V				
JGA25402AAM216		346V-380V		UT BLUE		
JGA25402AAM217		400V-440V				
JGA25402AAM218		460V-480V				
JGA25402AAM219	CSA  Page 45, 46	460V-480V	---			
JGA25402AAM220				W/ BLOWER		

09-JGA25402AAM

OVF 428G (DBSS)



ARRANGEMENT (G DRIVE)

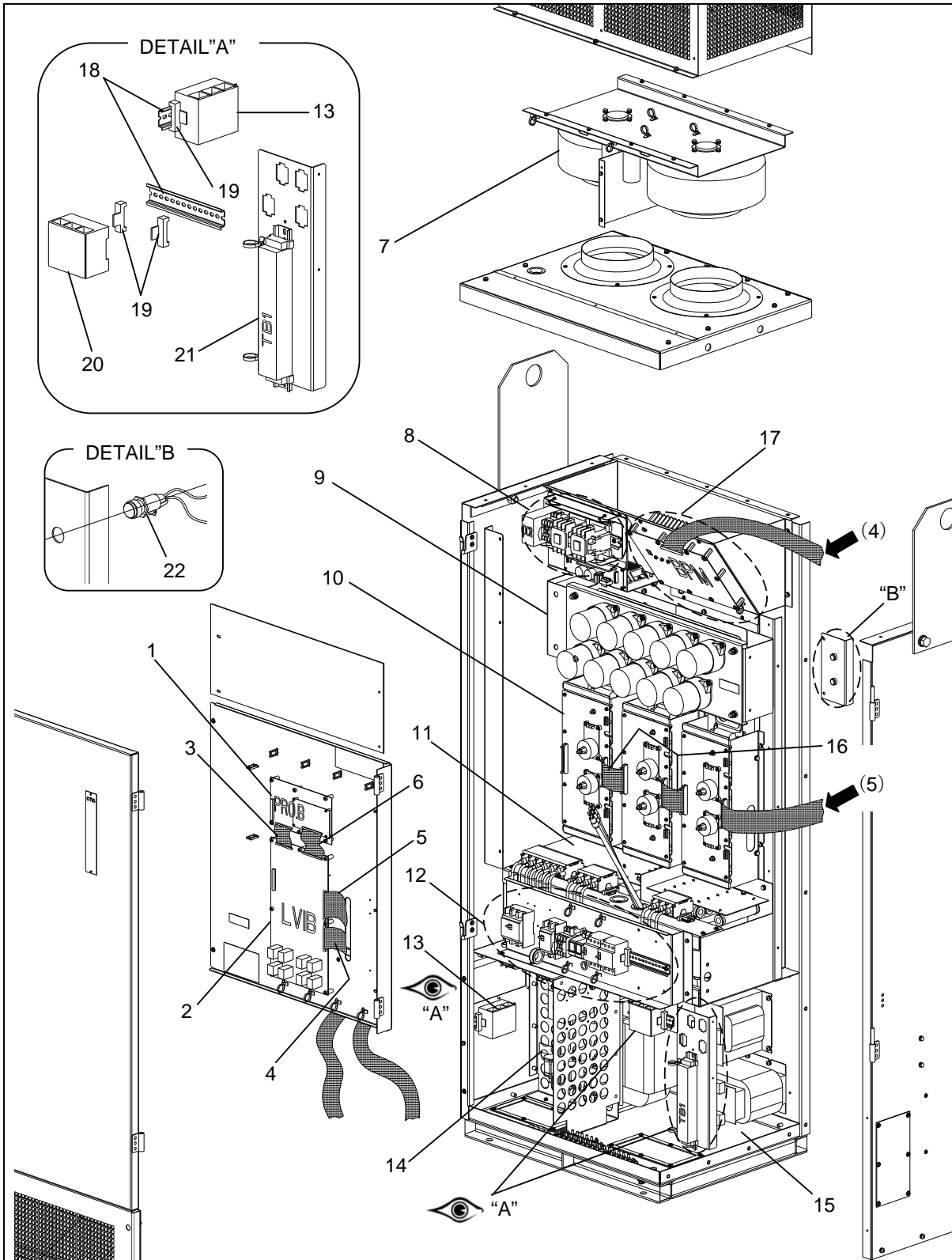
JEA25402AAM_ JFA25402AAM_or JGA25402AAM_						
ASSEMBLY NO.	VER.	VOLTAGE	W/ BATT.	NOTE	CONTROL LER	MACHINE
JFA25402AAM221	JPA  Page 41, 42	346V-380V	---	E- 82G"D"	RS422 OVER CAN	IM40T W/ BLOWER
JFA25402AAM222		400V-440V				
JFA25402AAM223		460V-480V				
JFA25402AAM224		346V-380V	W/ BATTERY			
JFA25402AAM225		400V-440V				
JFA25402AAM226		460V-480V				
JFA25402AAM227	APA  Page 41, 42	346V-380V	---	UT BLUE		
JFA25402AAM228		400V-440V				
JFA25402AAM229		460V-480V				
JFA25402AAM230		346V-380V	W/ BATTERY			
JFA25402AAM231		400V-440V				
JFA25402AAM232		460V-480V				
JGA25402AAM233	CEN  Page 43, 44	346V-380V	---	CAPRI BLUE		
JGA25402AAM234		400V-440V				
JGA25402AAM235		460V-480V				
JGA25402AAM236		346V-380V		UT BLUE		
JGA25402AAM237		400V-440V				
JGA25402AAM238		460V-480V				
JGA25402AAM239	CSA  Page 45, 46	460V-480V				

OVF 428G (DBSS)

09-JGA25402AAM













ARRANGEMENT (G DRIVE)

JFA25402AAM_ JGA25402AAM_						
ASSEMBLY NO.	VER.	VOLTAGE	W/ BATT.	NOTE	CONTR OLLER	MACH INE
JGA25402AAM313	CEN  Page 43, 44	346V-380V	---	CAPRI BLUE	CAN	PM30T
JGA25402AAM314		400V-440V				
JGA25402AAM315		460V-480V				
JGA25402AAM316		346V-380V				
JGA25402AAM317		400V-440V				
JGA25402AAM318		460V-480V				
JGA25402AAM319	CSA 	460V-480V				
JGA25402AAM320	Page 45, 46			W/ BLOWER		



OVF 428X (JPA · APA)

09-JGA25402AAM

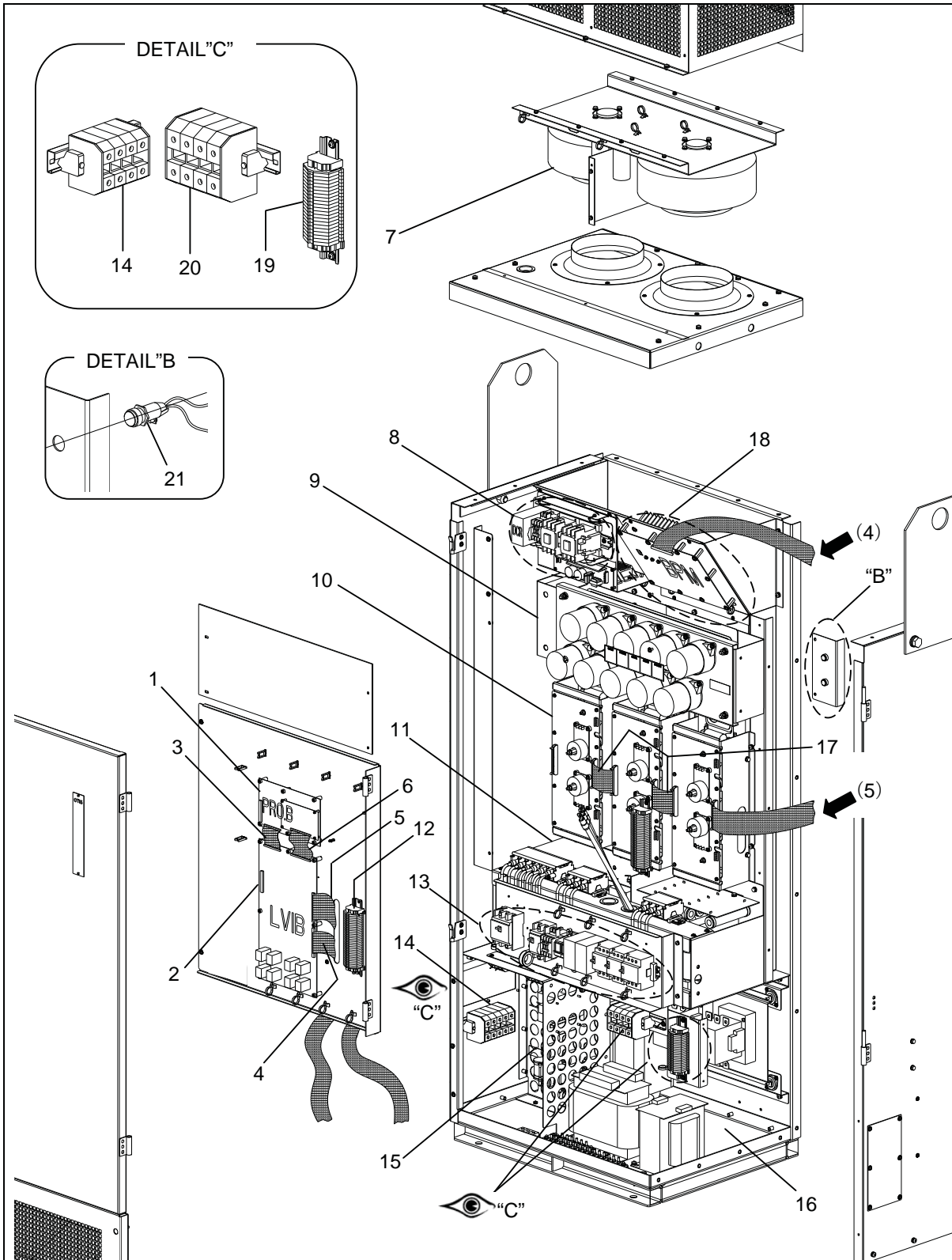
REF. NO.	PART or ML	DESCRIPTION	USE for
	JAA25402AAM~ JDA25402AAM JFA25402AAM		JAA25402AAM~ JDA25402AAM JFA25402AAM
1	ABA26800VA4 AGA26800VA4 ADA26800VA1	PROCESSOR BOARD  Note	
2	 Page 16	LOW VOLTAGE INTERFACE BOARD	
3	JAA00174CCS004	FLAT CABLE (L=100mm)	
4	JAA00174CCS003	FLAT CABLE (L=1500mm)	
5	JAA00174CCV001	FLAT CABLE (L=600mm)	
6	JAA00174CCS005	FLAT CABLE (L=100mm)	
7	 Page 17	FAN ASS'Y	
8	 Page 18, 19	RELAY ASS'Y	
9	 Page 20	CAPACITOR BANK	
10	 Page 21, 22	POWER MODULE	
11	JAA21350AAG11  Page 23	EMI FILTER	
12	JAA~ JDA21350AAL JEA21350AAL  P. 24, 25	BREAKER ASS'Y (OLD TYPE)  P.24 — NOTE	1, 2, 3, 7, 8, 9
			4, 5, 6, 10, 11, 12
			21, 22, 23, 27, 28, 29
			24, 25, 26, 30, 31, 32
13	JAA00303ABE002	TERMINAL BLOCK [TRM1]	
14	JAA21350AAM1 JBA21350AAM1  Page 36	MAIN CONTACTOR ASS'Y	
	 Page 37		BOTTOM PARTS
16	JAA00174CCT001	FLAT CABLE (L=80mm)	
17	 Page 40	BRAKE POWER MODULE ASS'Y [BPM]	
18	JO299FS19	DIN RAIL (L=165mm)	
19	JAA00477ABS002	STOPPER	
20	JAA00303ABE012	TERMINAL BLOCK [TRM2]	
21	JBA00303AEJ001 JBA00303AEJ002	TERMINAL BLOCK [TBL1]	
	JAA00424AAW001		PILOT LAMP [PL1, 2]














Note) When PROB is not available (No longer in Production) , please perform an order of the next parts.
 JAA26807CHC128, JBA26807CBL1, JAA174KKD1, JAA174KKD21, JAA174KKD31, JAA174KKD33,
 JAA174KKD36, JAA174KWT2, JAA00174CCV002, JAA438BEX2, JAA285CDD1... (By for each 1)
 JAA00339AEJ003 (15) , PSM03X008-T (2) , PSM04X012-RL (4)

Unpublished Work—Otis Elevator Co.; 2012

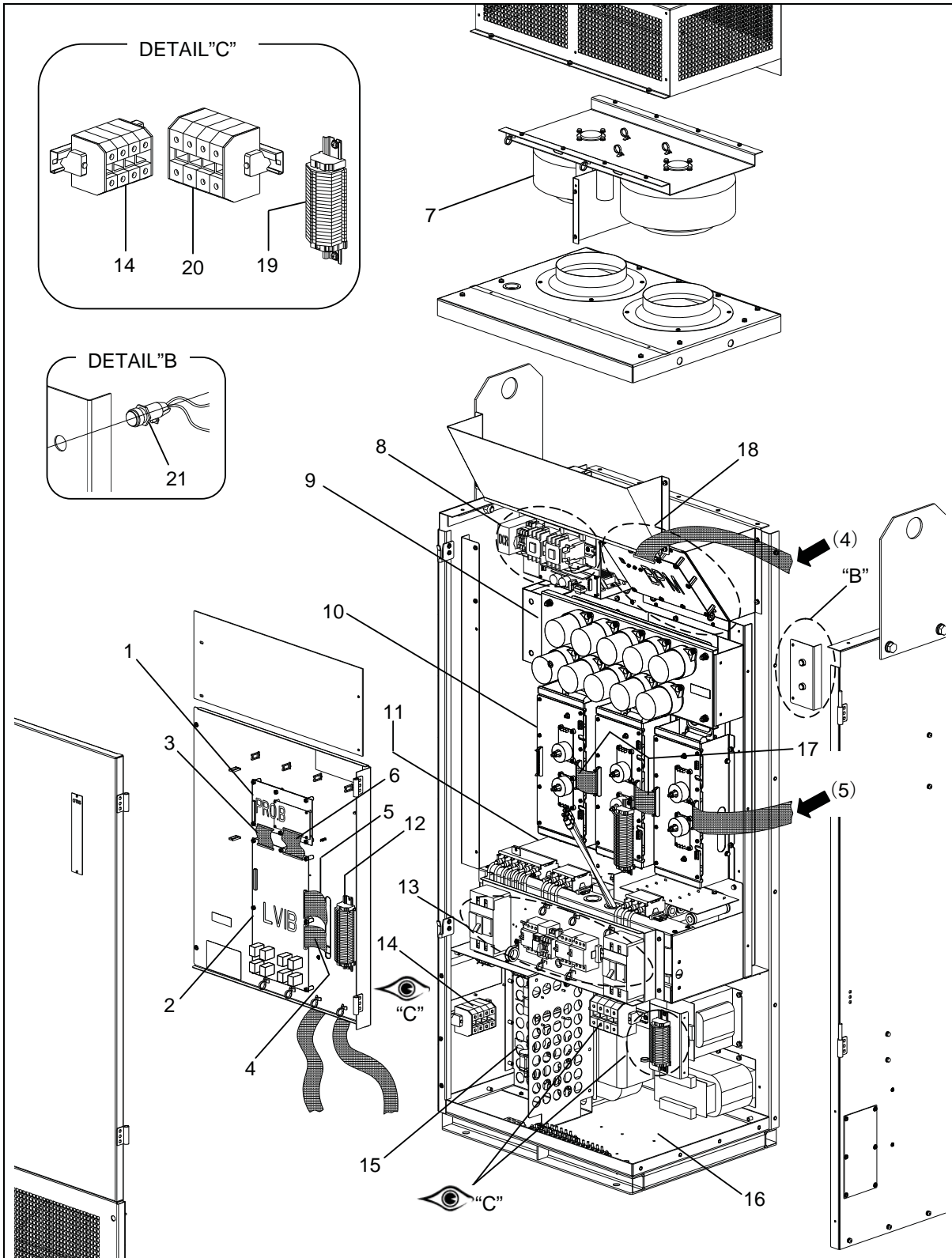
Apr. 10, 2012

Page 11



REF. NO.	PART or ML	DESCRIPTION	USE for
	JAA25402AAM~ JFA25402AAM JGA25402AAM		JAA25402AAM~ JFA25402AAM JGA25402AAM
1	ABA26800VA4 AGA26800VA4 ADA26800VA1	PROCESSOR BOARD  Note	
2	 Page 16	LOW VOLTAGE INTERFACE BOARD	
3	JAA00174CCS004	FLAT CABLE (L=100mm)	
4	JAA00174CCS003	FLAT CABLE (L=1500mm)	
5	JAA00174CCV001	FLAT CABLE (L=600mm)	
6	JAA00174CCS005	FLAT CABLE (L=100mm)	
7	 Page 17	FAN ASS'Y	
8	 Page 18, 19	RELAY ASS'Y	
9	 Page 20	CAPACITOR BANK	
10	 Page 21, 22	POWER MODULE	
11	JAA21350AAG11  Page 23	EMI FILTER	
12	JAA00303AEH002 JAA00303AEH003	TERMINAL BLOCK [TBL5]	
13	JAA~ JDA21350AAL	BREAKER ASS'Y (OLD TYPE)  P.26 — NOTE	JAA~JFA 13 ~ 18
	JEA21350AAL  P. 26, 27		JAA~JFA 33 ~ 38
	JAA21350ABB	BREAKER ASS'Y (NEW TYPE)	JGA 13 ~ 18
	 P. 32, 33		JGA 33 ~ 38
14	JAA00303ADK001	TERMINAL BLOCK [TRM1]	
15	JAA21350AAM2 JBA21350AAM2  Page 36	MAIN CONTACTOR ASS'Y	
	 Page 38		
17	JAA00174CCT001	FLAT CABLE (L=80mm)	
18	 Page 40	BRAKE POWER MODULE ASS'Y	
19	JAA00303AEG003	TERMINAL BLOCK [TBL1]	
20	JAA00303ADK003	TERMINAL BLOCK [TRM2]	
21	JAA00424AAW001	PILOT LAMP [PL1, 2]	

Note) When PROB is not available (No longer in Production) , please perform an order of the next parts.
 JAA26807CHC128, JBA26807CBL1, JAA174KKD1, JAA174KKD21, JAA174KKD31, JAA174KKD33,
 JAA174KKD36, JAA174KWT2, JAA00174CCV002, JAA438BEX2, JAA285CDD1... (By for each 1)
 JAA00339AEJ003 (15) , PSM03X008-T (2) , PSM04X012-RL (4)

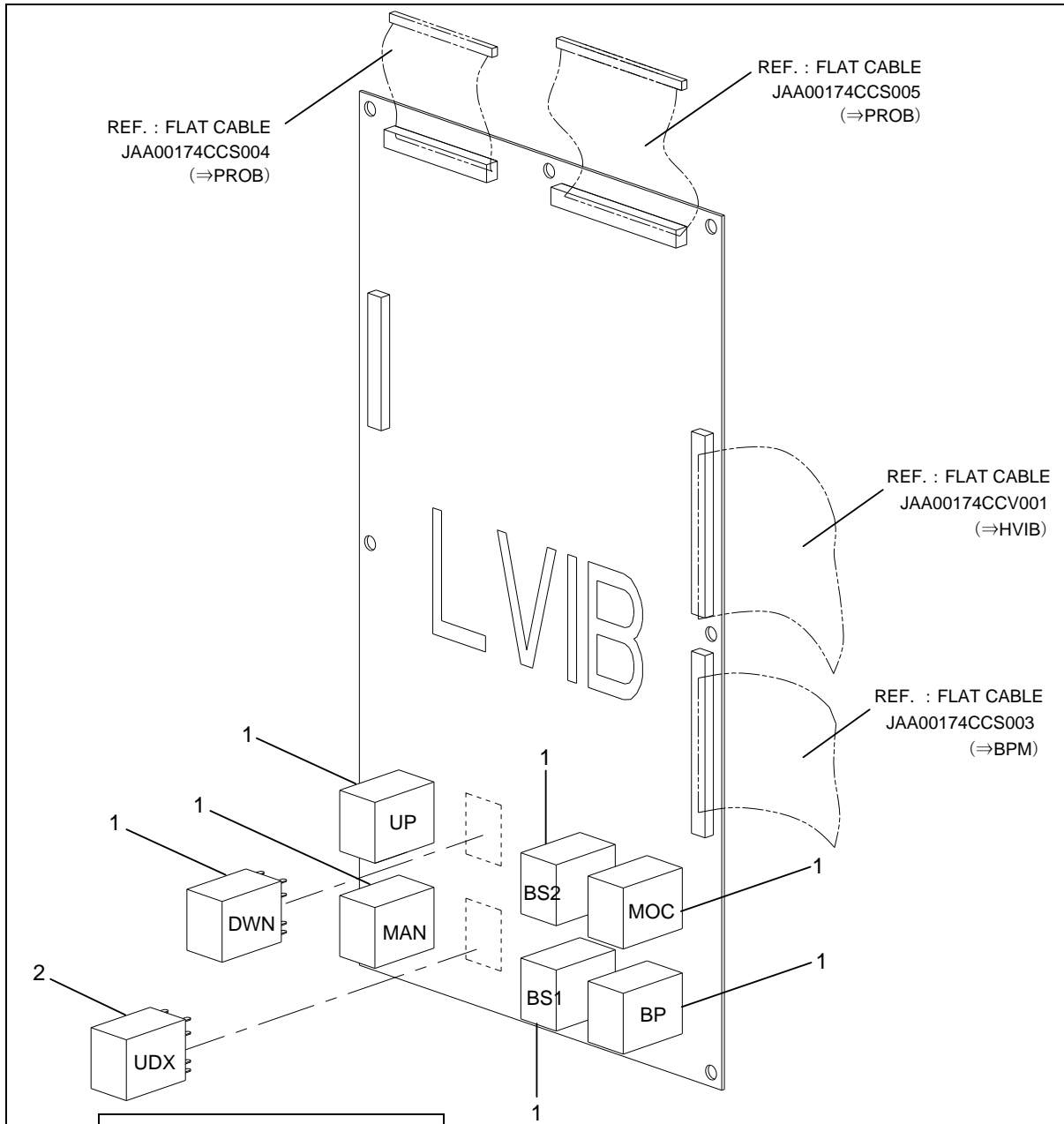


OVF 428X (CSA)

09-JGA25402AAM

REF. NO.	PART or ML	DESCRIPTION	USE for
	JAA25402AAM JFA25402AAM JGA25402AAM		JAA25402AAM JFA25402AAM JGA25402AAM
1	ABA26800VA1 ACA26800VA1 ADA26800VA1	PROCESSOR BOARD Note	
2	Page 16	LOW VOLTAGE INTERFACE BOARD	
3	JAA00174CCS004	FLAT CABLE (L=100mm)	
4	JAA00174CCS003	FLAT CABLE (L=1500mm)	
5	JAA00174CCV001	FLAT CABLE (L=600mm)	
6	JAA00174CCS005	FLAT CABLE (L=100mm)	
7	Page 17	FAN ASS'Y	
8	Page 18, 19	RELAY ASS'Y	
9	Page 20	CAPACITOR BANK	
10	Page 21, 22	POWER MODULE	
11	JAA21350AAG12 Page 23	EMI FILTER	
12	JAA00303AEH002 JAA00303AEH003	TERMINAL BLOCK [TBL5]	
13	JAA~ JDA21350AAL	BREAKER ASS'Y (OLD TYPE) P.28 — NOTE	JAA~JFA 19
	JEA21350AAL		JAA~JFA 20
	P. 28, 29		JAA~JFA 39
	JAA21350ABB	BREAKER ASS'Y (NEW TYPE)	JGA19
	P. 34, 35		JGA20
			JGA39
14	JAA00303ADK002	TERMINAL BLOCK [TRM1]	
15	JAA21350AAM3 JBA21350AAM3 Page 36	MAIN CONTACTOR ASS'Y	
16	Page 39	BOTTOM PARTS	
17	JAA00174CCT001	FLAT CABLE (L=80mm)	
18	Page 40	BRAKE POWER MODULE ASS'Y	
19	JAA00303AEG003	TERMINAL BLOCK [TBL1]	
20	JAA00303ADK004	TERMINAL BLOCK [TRM2]	
21	JAA00424AAW001	PILOT LAMP [PL1, 2]	

Note) When PROB is not available (No longer in Production) , please perform an order of the next parts.
 JAA26807CHC128, JBA26807CBL1, JAA174KKD1, JAA174KKD21, JAA174KKD31, JAA174KKD33,
 JAA174KKD36, JAA174KWT2, JAA00174CCV002, JAA438BEX2, JAA285CDD1... (By for each 1)
 JAA00339AEJ003 (15) , PSM03X008-T (2) , PSM04X012-RL (4)

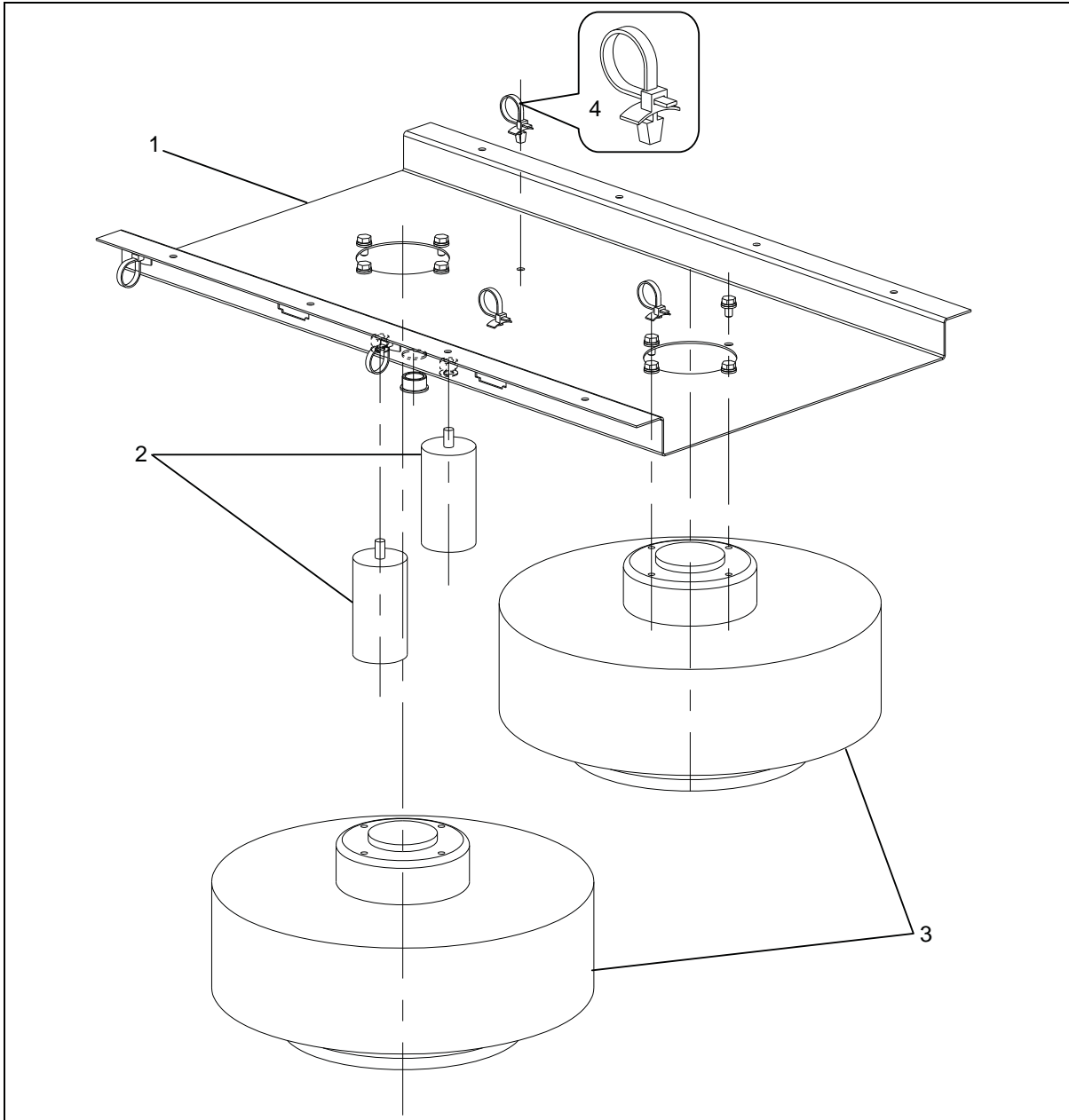


ACA26800RN1
ACA26800RN2
ADA26800RN2

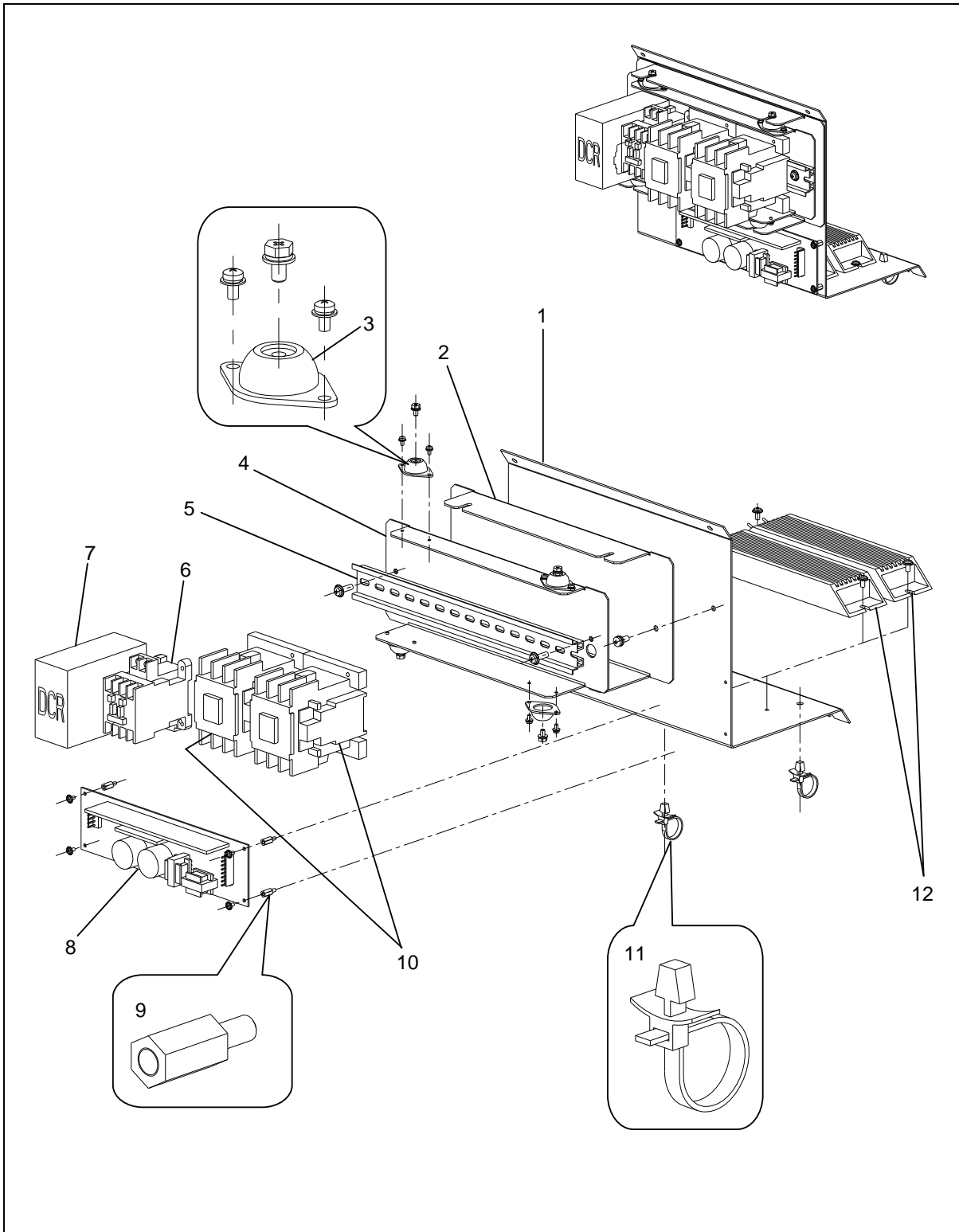
REF. NO.	PART or ML	DESCRIPTION	MAKER
1	JO613DM4 JO613DM11	RELAY : HC2-H-AC100V-F (RY-UP, DWN, MAN, BS1, BS2, MOC, BP)	PANASONIC
2	JO613DD5 JO613DD15	RELAY : HC4-H-AC100V (RY-UDX)	

FAN ASS'Y

09-JGA25402AAM



JAA21350AAH1				
REF. NO.	PART or ML	DESCRIPTION	SYMBLE	QTY.
1	JAA316GEW1	BRACKET		1
2	JAA00226AFR001	CAPACITOR	FC1, 2	2
3	JAA00301AAJ001	FAN	FAN1, 2	2
4	JAA00339AAB002	CLIP		5

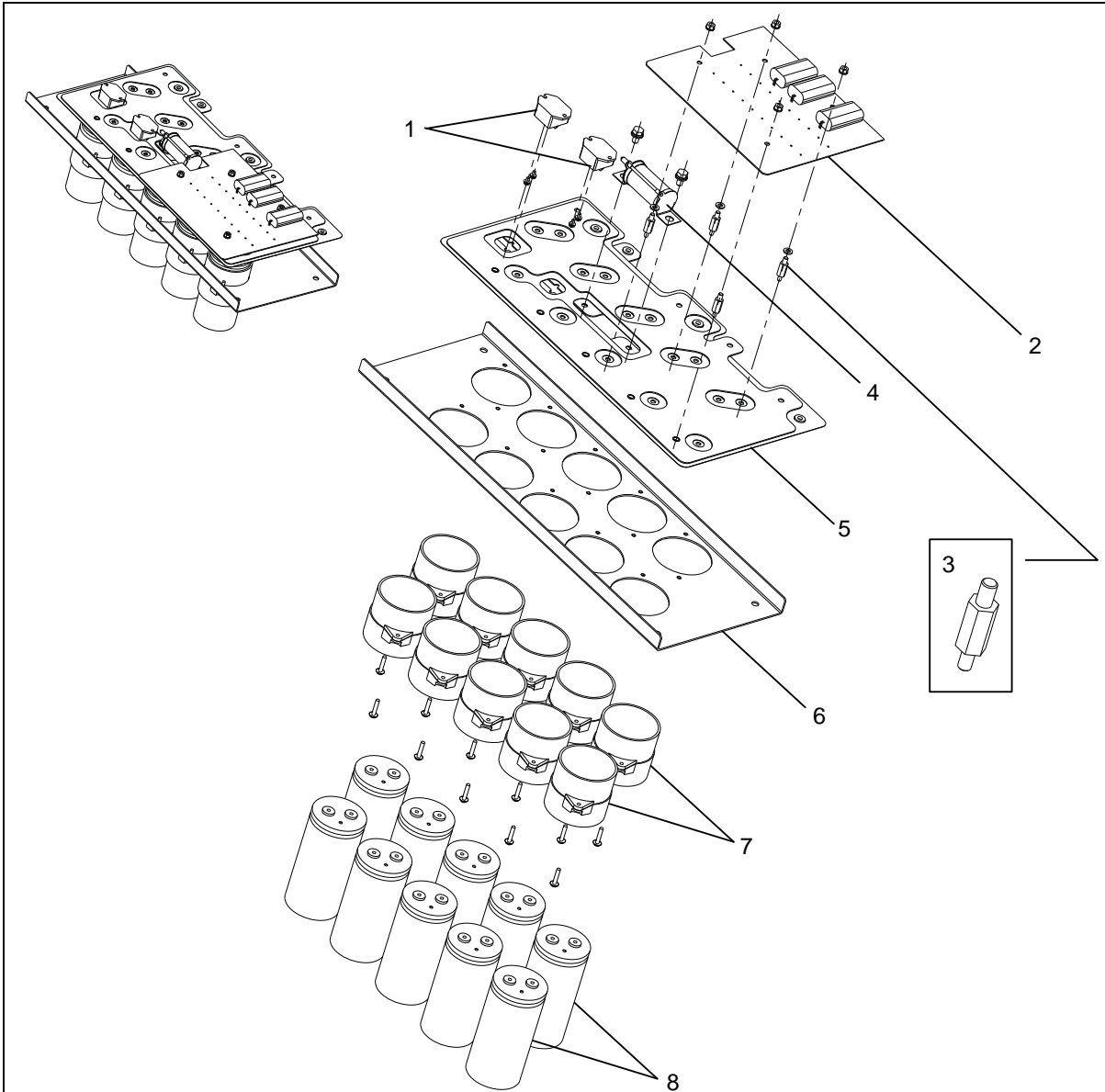


RELAY ASS'Y

09-JGA25402AAM

JAA21350AAJ1
 JBA21350AAJ1
 JCA21350AAJ1

REF. NO.	PART or ML	DESCRIPTION	SYMBLE	QTY.
1	JAA433AHT1	PANEL		1
2	JAA438BZZ1	PANEL		1
3	JAA310APG1	BLOCK		4
4	JAA438BZY1	PANEL		1
5	JO299JA3	BAR (L=293mm)		1
6	JAA00613ABP002	RELAY, AC100V	FAR	1
7	JAA00613ABC019	RELAY, DC24V	DCR	1
8	JAA00621ACD004 JAA00621ACD002	POWER SUPPLY, 24V	PSR1	1
9	JAA00462AAH001	DISTANCE PIECE (L=10mm)		4
10	JO613DS74 JAA613AFM22	RELAY, AC100V	BPX1, 2	2
11	JAA00339AAB002	CLIP		2
12	JAA00232ADX002	RESISTOR, 200W 200Ω	DR1, 2	2

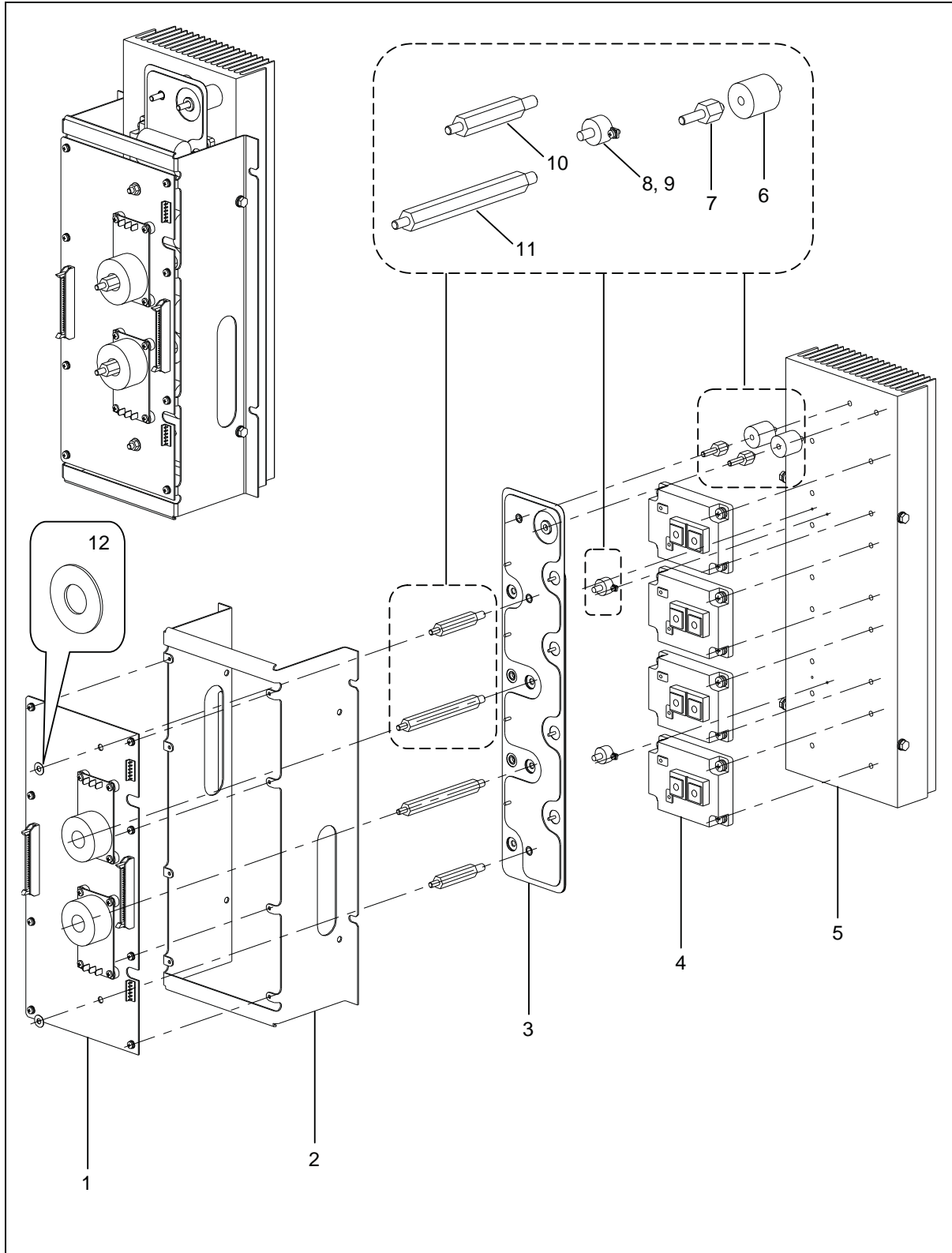


JAA21350AAB002

REF. NO.	PART or ML	DESCRIPTION	QTY.
1	JAA00612ACM001	DIODE	2
2	JAA26807BEP001	DC INTERFACE BOARD	1
3	JAA00354AAH004	STANDOFF	4
4	JAA00375AAB044	FUSE 1000FH-175S	1
5	JAA00252ACF001 JBA00252ACF001	BUS BAR	1
6	JAA00382AFE001	CAPACITOR CLAMP	1
7	JAA00180ACT001	PLASTIC HOLDER	10
8	JAA00226AEM001	CAPACITOR, 450V 6800 μ F	10

POWER MODULE

09-JGA25402AAM



09-JGA25402AAM

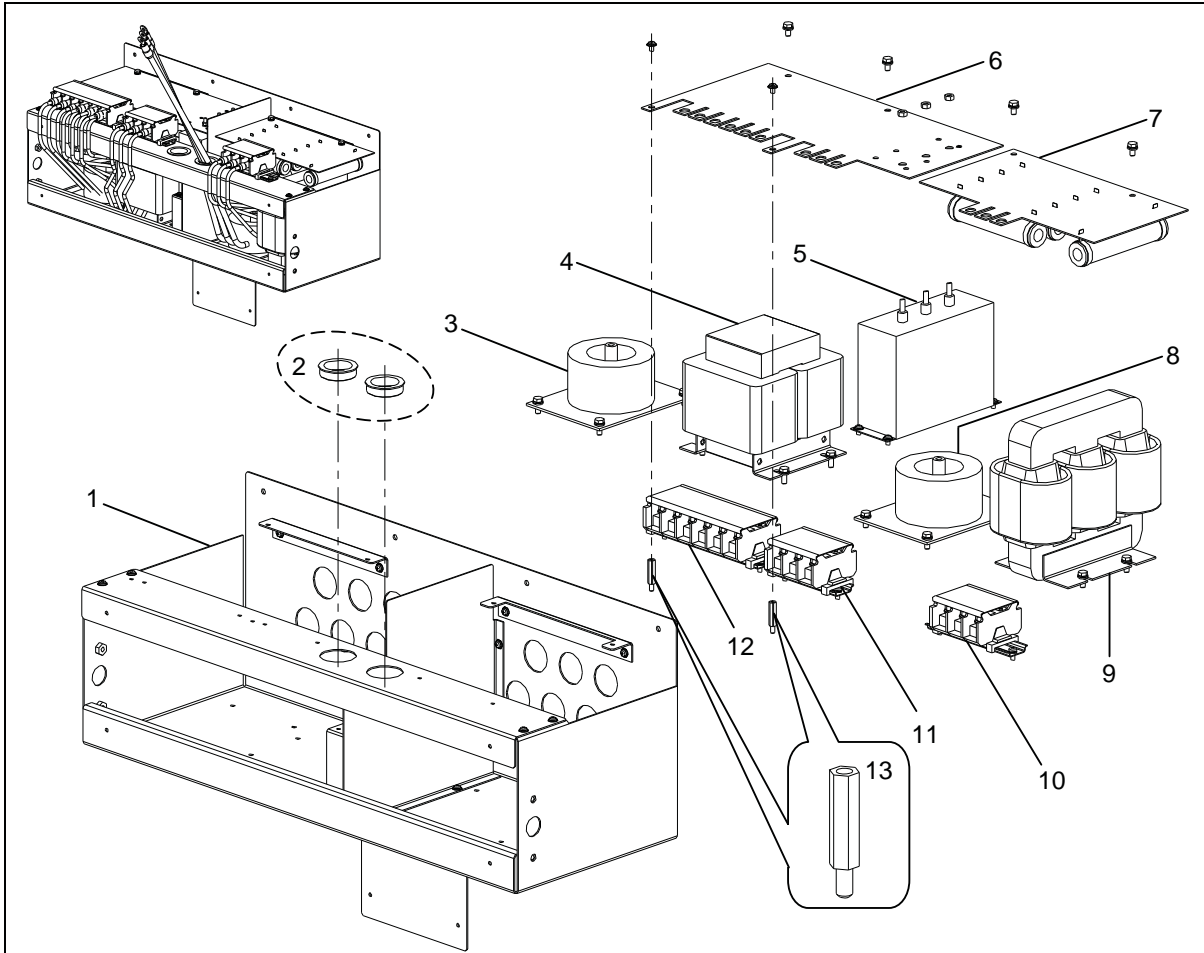
POWER MODULE

~~JBA21350AAA004~~
JCA21350AAA004

REF. NO.	PART or ML	DESCRIPTION	SYMBLE	QTY.
1	JBA26807BEM003	HIGH VOLTAGE INTERFACE BOARD	HVIB	1
2	JAA00285AFV001	FRAME		1
3	JAA00252ACE003	BUS BAR ASSEMBRY		1
4	JAA601ADG1	IGBT MODULE		4
5	JAA00600ABR003	HEAT SINK		1
6	JO462CM1	INSULATOR		2
7	JAA00354AAH015	STANDOFF		2
8	JO177CM3	THERMO SWITCH		2
9	PSM03X006-RL	M3X6 PAN HEAD SCREW, STEEL W / RD WASHER & SPRING L.W		4
10	JAA00354AAH016	STANDOFF		2
11	JAA00354AAH009	STANDOFF		2
12	130R3	M6 WASHER, BELLEVILLE LOCK		2

EMI FILTER

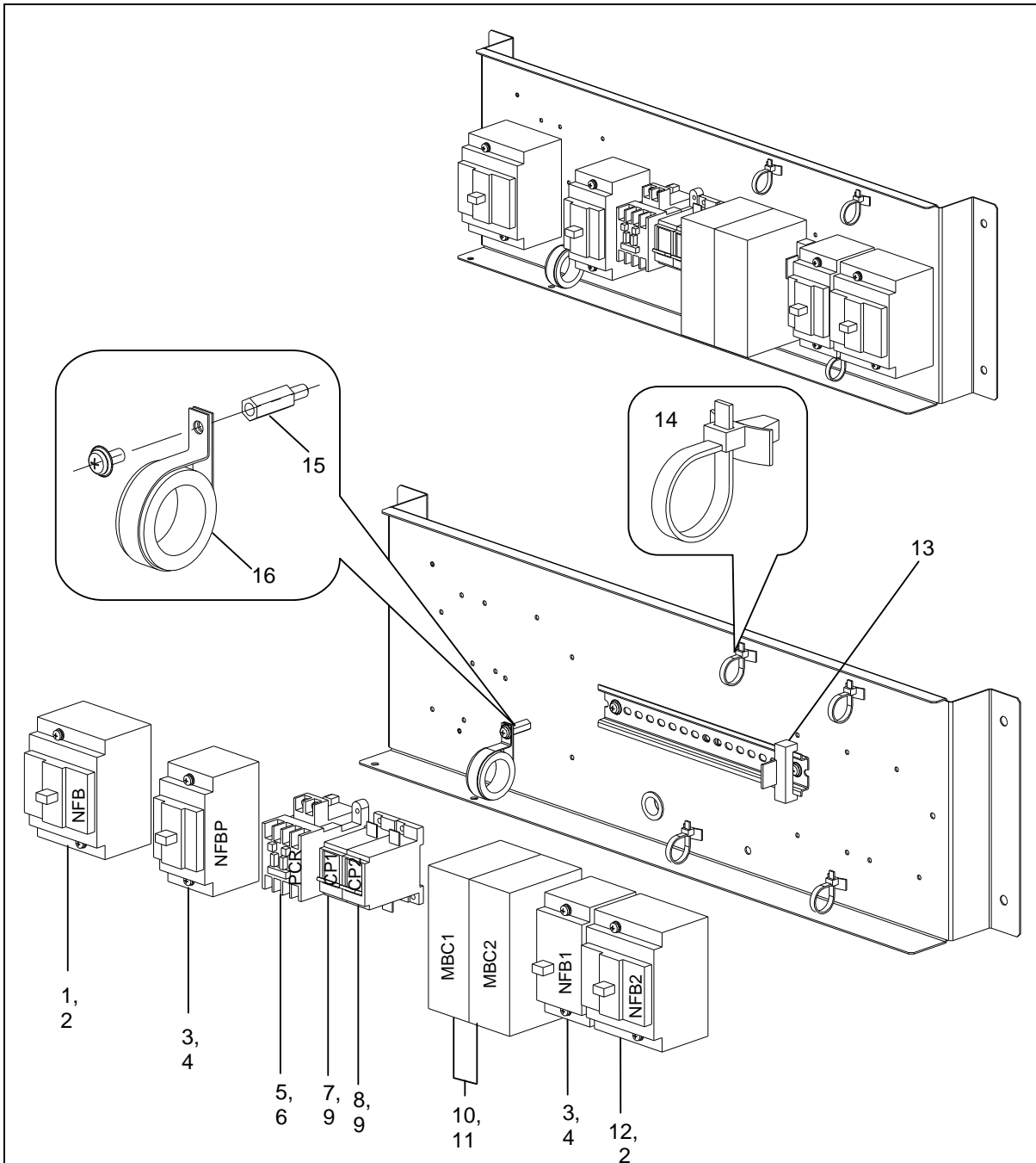
09-JGA25402AAM



JAA21350AAG			
REF. NO.	11	12	DESCRIPTION
	PART or ML		
1	JAA308ALW1		BOX ASS'Y
2	JAA00321AAA008		SNAP BUSHING
3	JAA234ACV1		COIL, L1, 0.22mH, 95A
4	JAA00234ABY003	JAA00234ABY004	INDUCTOR, L3, 6mH, 95A
5	JAA00226AHJ001		CAPACITOR, FIXED, 10 μ F, 500VAC
6	JAA26807BNX1		EMIB-A
7	JAA26807BJT001		EMIB-B
8	JAA234ACV2		COIL, L4, 0.22mH, 150A
9	JAA00234ABD003	JAA00234ABD013	INDUCTOR, L5, 0.1mH, 150A
10	JAA00303ACW001		TERMINAL (3P)
11	JAA00303ACW003		TERMINAL (3P)
12	JAA00303ACW004		TERMINAL (6P)
13	JAA354AAX105		DISTANCE PIECE

09-JGA25402AAM

BREAKER ASS'Y OLD TYPE (JPA/APA)



- Note) 1. Please contact to OSCJ, as for replacing the breaker, for the reason of part has been under process for replacement.**
- 2. Drilling work is needed to the back panel for fixing, when replacing from old part to new one.**

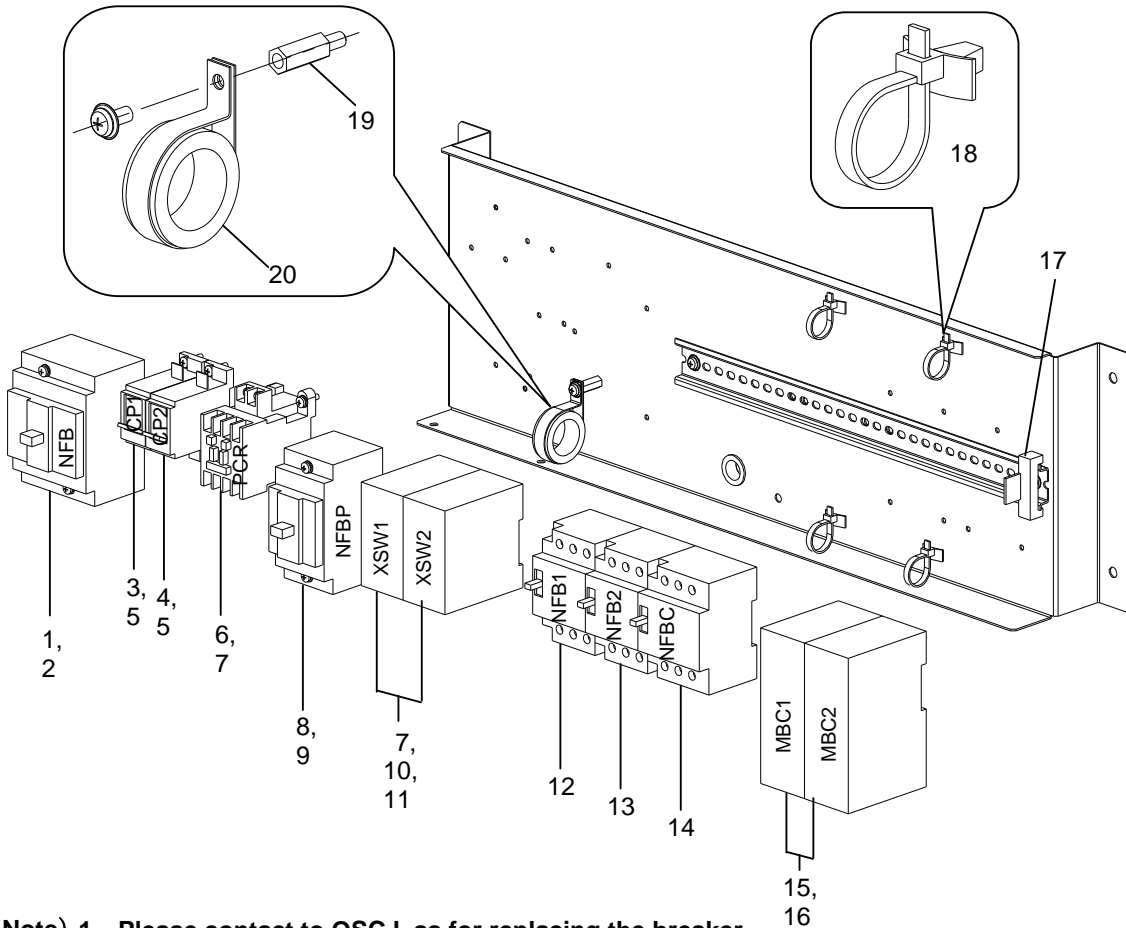
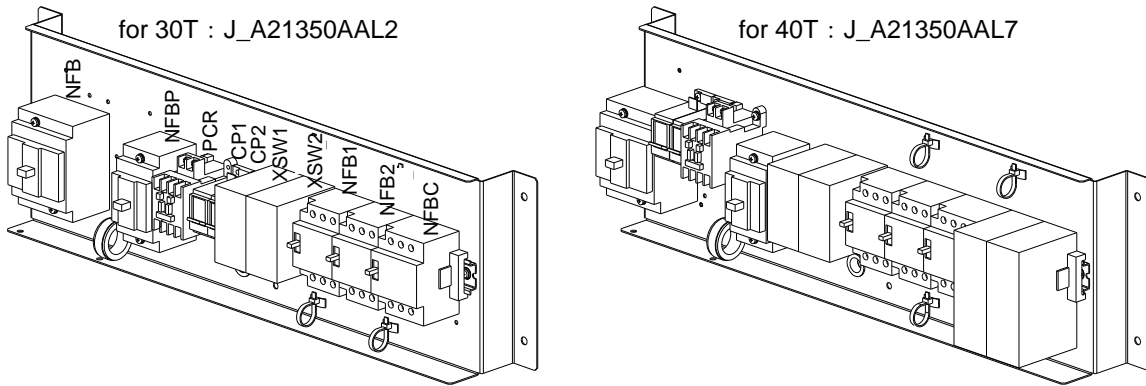
BREAKER ASS'Y
 OLD TYPE (JPA/APA)

09-JGA25402AAM

JAA~JDA JEA21350AAL		JAA~JDA JEA21350AAL_		
REF. NO.	PART or ML	DESCRIPTION	SYMBOL	USE for
1	JAA21398AAM004 JAA21398ABT4	BREAKER (15A)	NFB	1, 4, 6, 9
2	JAA00384ACL001 JAA384BEB1	TERMINAL COVER for NFB, NFB2		
3	JAA21398AAN001 JAA21398ABS1	BREAKER (3A)	NFBP NFB1	
4	JAA00384ACK001 JAA384BEA1	TERMINAL COVER for NFBP & NFB1		
5	JAA00613ABP002	RELAY	PCR	
6	JAA384AGV1	GUARD for PCR		
7	JAA00630AAB126	CIRCUIT PROTECTOR (5A AC)	CP1	
8	JAA00630AAB127	CIRCUIT PROTECTOR (7A AC)	CP2	
9	JAA00384ACN001	TERMINAL COVER for CP1, CP2		
10	JAA00613ADB001	THERMAL RELAY	MBC1 MBC2	6, 9
11	JAA346AZX1	COVER for MBC1, MBC2		1, 4, 6, 9
12	JAA21398AAM001 JAA21398ABT1	BREAKER (3A)	NFB2	
13	JAA00477ABS002	STOPPER		
14	JAA00339AAB002	CLIP		
15	JAA354AAX103	DISTANCE PIECE		
16	JAA00657AAF007	FERRITE CORE		

09-JGA25402AAM

BREAKER ASS'Y OLD TYPE (CEN)



Note) 1. Please contact to OSCJ, as for replacing the breaker,
for the reason of part has been under process for replacement.

2. Drilling work is needed to the back panel for fixing,
when replacing from old part to new one.

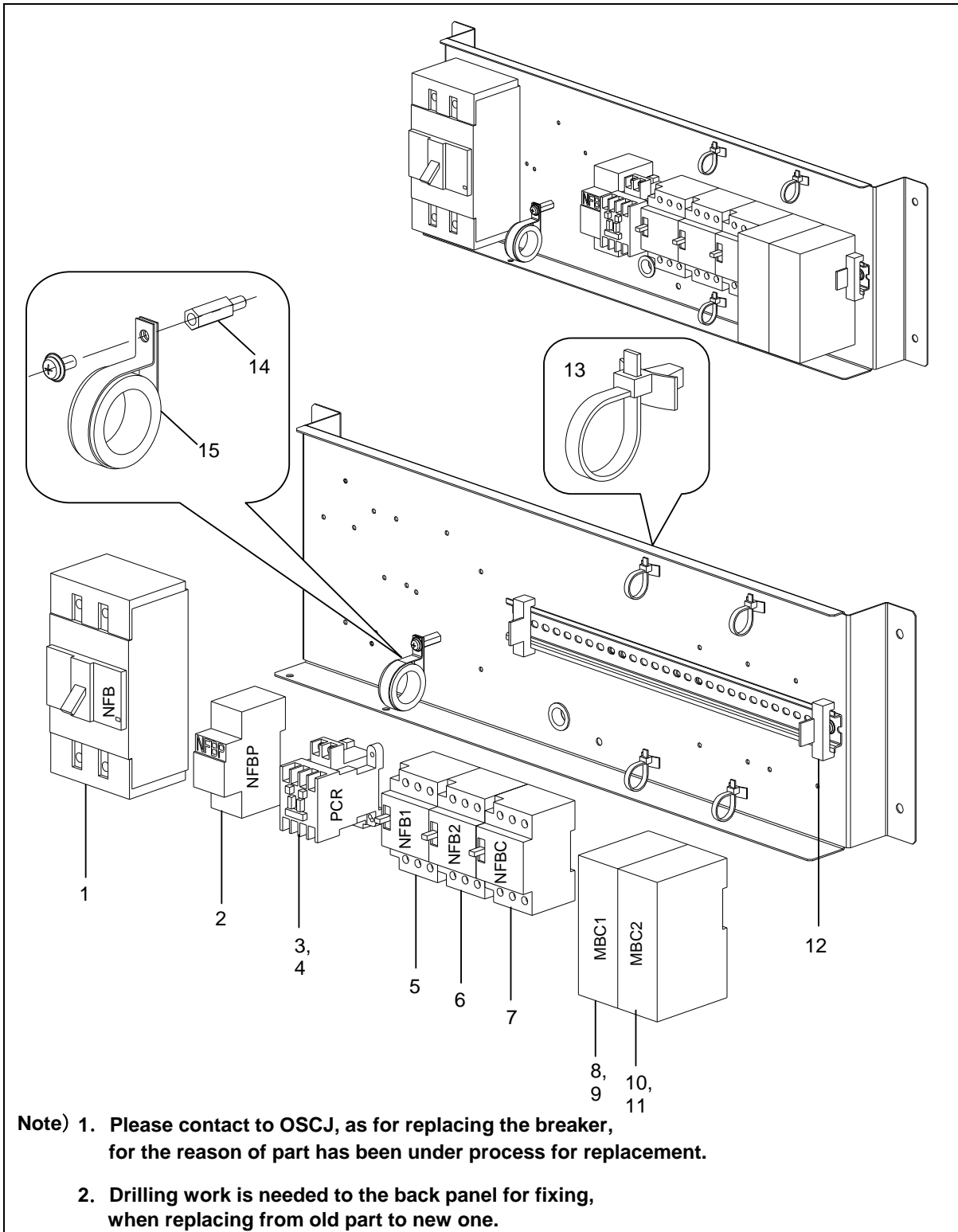
BREAKER ASS'Y
OLD TYPE (CEN)

09-JGA25402AAM

JAA~JDA JEA21350AAL		JAA~JDA JEA21350AAL_		
REF. NO.	PART or ML	DESCRIPTION	SYMBOL	USE for
1	JAA21398AAM006 JAA21398ABT6	BREAKER (30A)	NFB	2, 7
2	JAA00384ACL004 JAA384BEB1	TERMINAL COVER for NFB		
3	JAA00630AAB126	CIRCUIT PROTECTOR (5A AC)	CP1	
4	JAA00630AAB127	CIRCUIT PROTECTOR (7A AC)	CP2	
5	JAA00384ACN001	TERMINAL COVER for CP1, CP2		
6	JAA00613ABP002	RELAY	PCR	
7	JAA384AGV1	GUARD for PCR, XSW1, XSW2		
8	JAA21398AAN004 JAA21398ABS1	BREAKER (3A)	NFBP	
9	JAA00384ACK004 JAA384BEA1	TERMINAL COVER for NFBP		
10	JAA00613AAB105	RELAY	XSW1 XSW2	
11	JAA384AGV2	GUARD for XSW1, XSW2		
12	JAA21398AAY006	BREAKER (1.8A)	NFB1	
13	JAA21398AAY006	BREAKER (2.1A)	NFB2	
14	JAA21398ABE12	BREAKER (20A)	NFBC	
15	JAA00613ADB001	THERMAL RELAY	MBC1 MBC2	7
16	JAA346AZX1	COVER for MBC1, MBC2		2, 7
17	JAA00477ABS002	STOPPER		
18	JAA00339AAB002	CLIP		
19	JAA354AAX103	DISTANCE PIECE		
20	JAA00657AAF007	FERRITE CORE		

09-JGA25402AAM

BREAKER ASS'Y OLD TYPE (CSA)



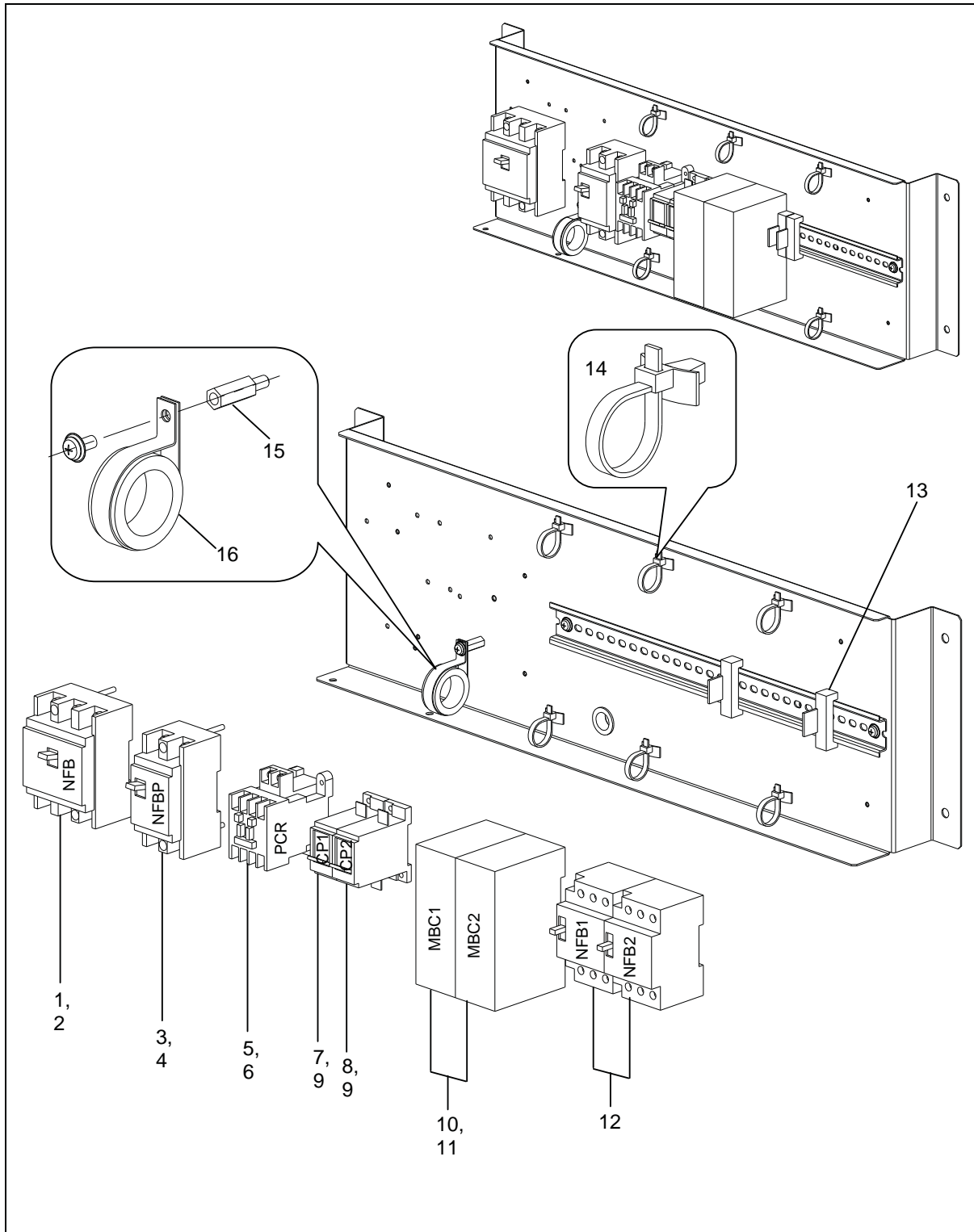
BREAKER ASS'Y
 OLD TYPE (CSA)

09-JGA25402AAM

JAA~JDA JEA21350AAL		JAA~JDA JEA21350AAL_		
REF. NO.	PART or ML	DESCRIPTION	SYMBOL	USE for
1	AAA637K1 JAA637AAJ1	BREAKER (15A)	NFB	3, 5, 8
2	JAA21398AAZ007	BREAKER (2.5A)	NFBP	
3	JAA00613ABP002	RELAY	PCR	
4	JAA384AGV1	GUARD for PCR		
5	JAA21398AAY006	BREAKER (1.8A)	NFB1	
6	JAA21398AAY006	BREAKER (2.1A)	NFB2	
7	JAA21398AAY007	BREAKER (3.75A)	NFBC	
8	JAA00613ADB001	THERMAL RELAY	MBC1	5, 8
9	JAA346AZX1	COVER for MBC1		8
10	JAA00613ADB001	THERMAL RELAY	MBC2	
11	JAA346AZX1	COVER for MBC2		3, 5, 8
12	JAA00477ABS002	STOPPER		
13	JAA00339AAB002	CLIP		
14	JAA354AAX103	DISTANCE PIECE		
15	JAA00657AAF007	FERRITE CORE		

09-JGA25402AAM

BREAKER ASS'Y NEW TYPE (JPA/APA)



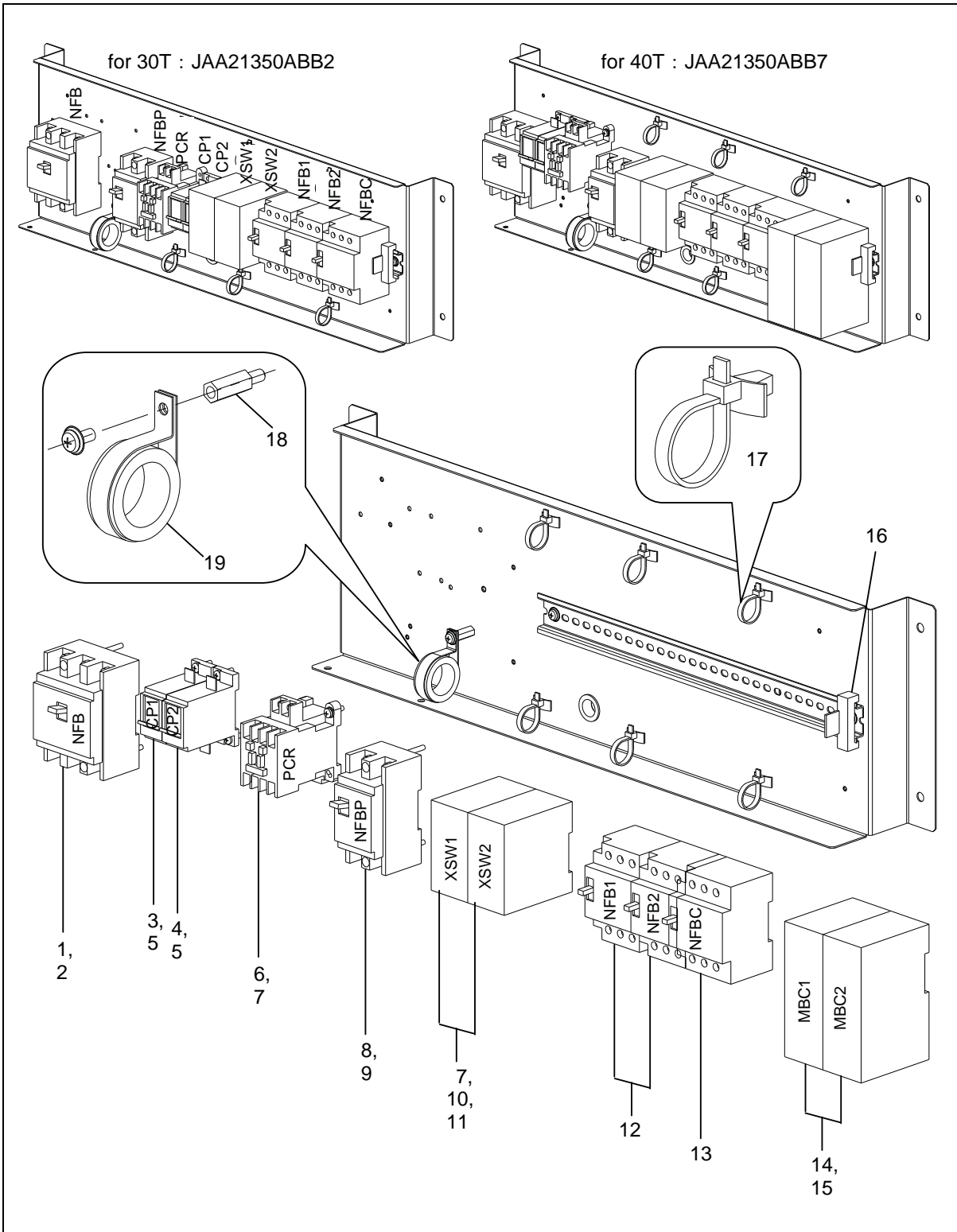
BREAKER ASS'Y
NEW TYPE (JPA/APA)

09-JGA25402AAM

JAA21350ABB				JAA21350ABB_
REF. NO.	PART or ML	DESCRIPTION	SYMBOL	USE for
1	JAA21398ABP10	BREAKER (15A)	NFB	1, 4, 6, 9
2	BCW30308123 JAA384BJW2	TERMINAL COVER for NFB		
3	JAA21398ABP1	BREAKER (3A)	NFBP	
4	BCW20308123 JAA384BJW1	TERMINAL COVER for NFBP		
5	JAA00613ABP002	RELAY	PCR	
6	JAA384AGV1	GUARD for PCR		
7	JAA00630AAB126	CIRCUIT PROTECTOR (5A AC)	CP1	
8	JAA00630AAB127	CIRCUIT PROTECTOR (7A AC)	CP2	
9	JAA00384ACN001	TERMINAL COVER for CP1, CP2		
10	JAA00613ADB001	THERMAL RELAY	MBC1 MBC2	6, 9
11	JAA346AZX1	COVER for MBC1, MBC2		
12	JAA21398AAY008	BREAKER	NFB1 NFB2	1, 4, 6, 9
13	JAA00477ABS002	STOPPER		
14	JAA00339AAB002	CLIP		
15	JAA354AAX103	DISTANCE PIECE		
16	JAA00657AAF007	FERRITE CORE		

09-JGA25402AAM

BREAKER ASS'Y NEW TYPE (CEN)



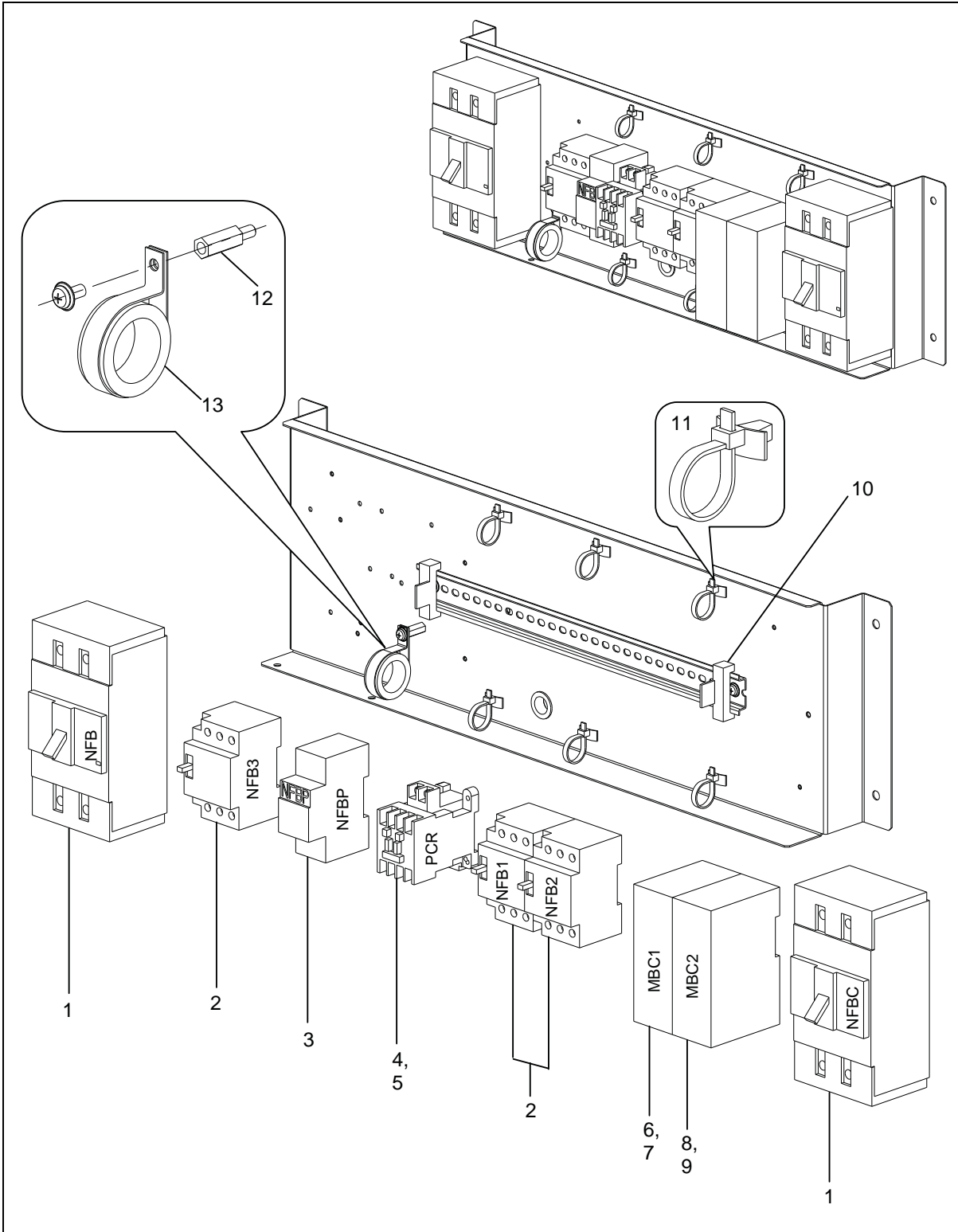
BREAKER ASS'Y
NEW TYPE (CEN)

09-JGA25402AAM

JAA21350ABB				JAA21350ABB_
REF. NO.	PART or ML	DESCRIPTION	SYMBOL	USE for
1	JAA21398ABP12	BREAKER (30A)	NFB	2, 7
2	BCW30308123 JAA384BJW2	TERMINAL COVER for NFB		
3	JAA00630AAB126	CIRCUIT PROTECTOR (5A AC)	CP1	
4	JAA00630AAB127	CIRCUIT PROTECTOR (7A AC)	CP2	
5	JAA00384ACN001	TERMINAL COVER for CP1, CP2		
6	JAA00613ABP002	RELAY	PCR	
7	JAA384AGV1	GUARD for PCR, XSW1, XSW2		
8	JAA21398ABP1	BREAKER (3A)	NFBP	
9	BCW20308123 JAA384BJW1	TERMINAL COVER for NFBP		
10	JAA00613AAB105	RELAY	XSW1 XSW2	
11	JAA384AGV2	GUARD for XSW1, XSW2		
12	JAA21398AAY008	BREAKER	NFB1 NFB2	
13	JAA21398ABE12	BREAKER (20A)	NFBC	
14	JAA00613ADB001	THERMAL RELAY	MBC1 MBC2	7
15	JAA346AZX1	COVER for MBC1, MBC2		2, 7
16	JAA00477ABS002	STOPPER		
17	JAA00339AAB002	CLIP		
18	JAA354AAX103	DISTANCE PIECE		
19	JAA00657AAF007	FERRITE CORE		

09-JGA25402AAM

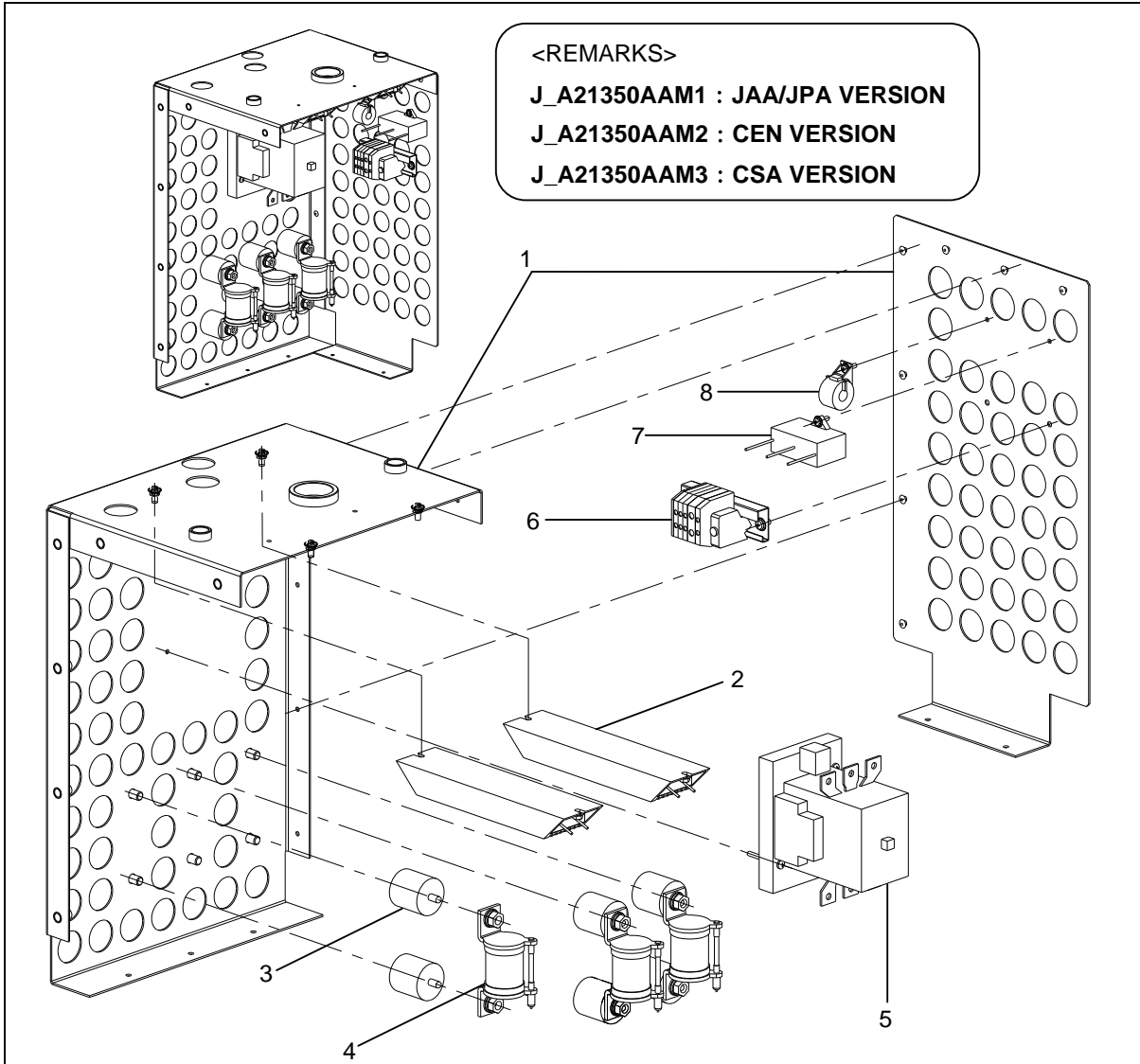
BREAKER ASS'Y NEW TYPE (CSA)



BREAKER ASS'Y
NEW TYPE (CSA)

09-JGA25402AAM

JAA21350ABB		JAA21350ABB_		
REF. NO.	PART or ML	DESCRIPTION	SYMBOL	USE for
1	JAA637AAJ1	BREAKER (15A)	NFB NFCB	3, 5, 8
2	JAA21398AAY008	BREAKER	NFB1 NFB2 NFB3	
3	JAA21398AAZ007	BREAKER (2.5A)	NFBP	
4	JAA00613ABP002	RELAY	PCR	
5	JAA384AGV1	GUARD for PCR		
6	JAA00613ADB001	THERMAL RELAY	MBC1	5, 8
7	JAA346AZX1	COVER for MBC1		8
8	JAA00613ADB001	THERMAL RELAY	MBC2	
9	JAA346AZX1	COVER for MBC2		3, 5, 8
10	JAA00477ABS002	STOPPER		
11	JAA00339AAB002	CLIP		
12	JAA354AAX103	DISTANCE PIECE		
13	JAA00657AAF007	FERRITE CORE		

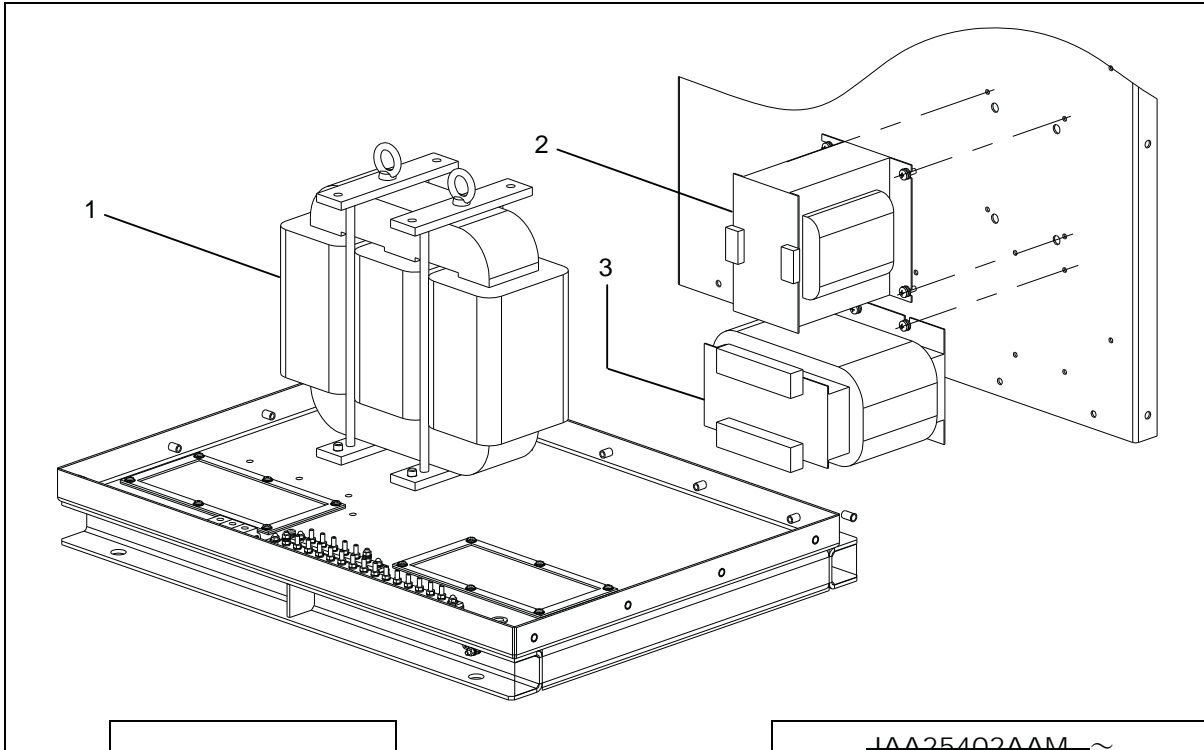


<REMARKS>
J_A21350AAM1 : JAA/JPA VERSION
J_A21350AAM2 : CEN VERSION
J_A21350AAM3 : CSA VERSION

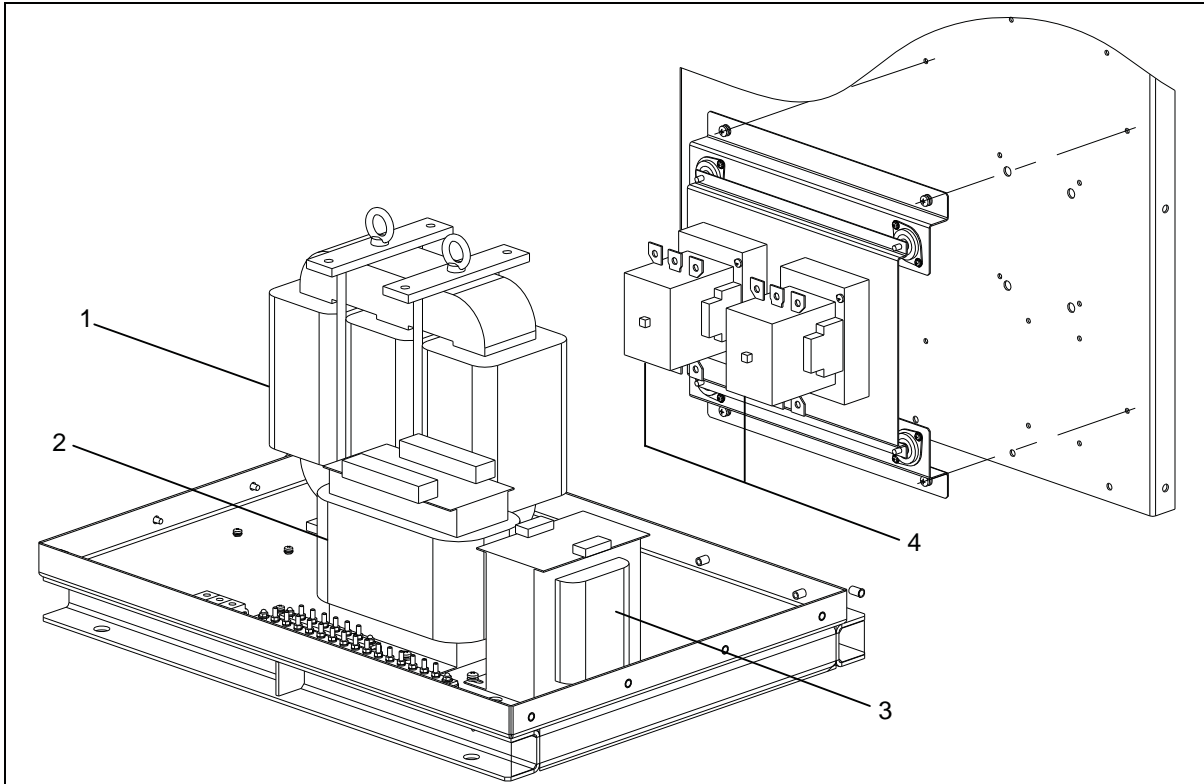
JAA21350AAM ~ JBA21350AAM					
REF. NO.	1	2	3	DESCRIPTION	SYMBOL
	PART or ML				
1	JAA438BEV1 ⇒ JBA438BEV1			PANEL ASS'Y	
2	JAA00232ADX001			RESISTOR	PR1, 2
3	JO462CM2			SPACER for F1, 2, 3 FUSE	
4	JO375P32			ONE TIME FUSE	F1, 2, 3
5	JAA613DS66 ⇒ JAA613AFM70			MAGNET SWITCH	MC
6	---	JAA00303AEA001	JAA00303AEA002	TERMINAL BLOCK	TBL4
7	---	JAA00226AGN001		METALLIZET POLYESTER CAPACITOR	
8	---	JAA00657AAG004		FERRITE CORE	

BOTTOM (JPA, APA)

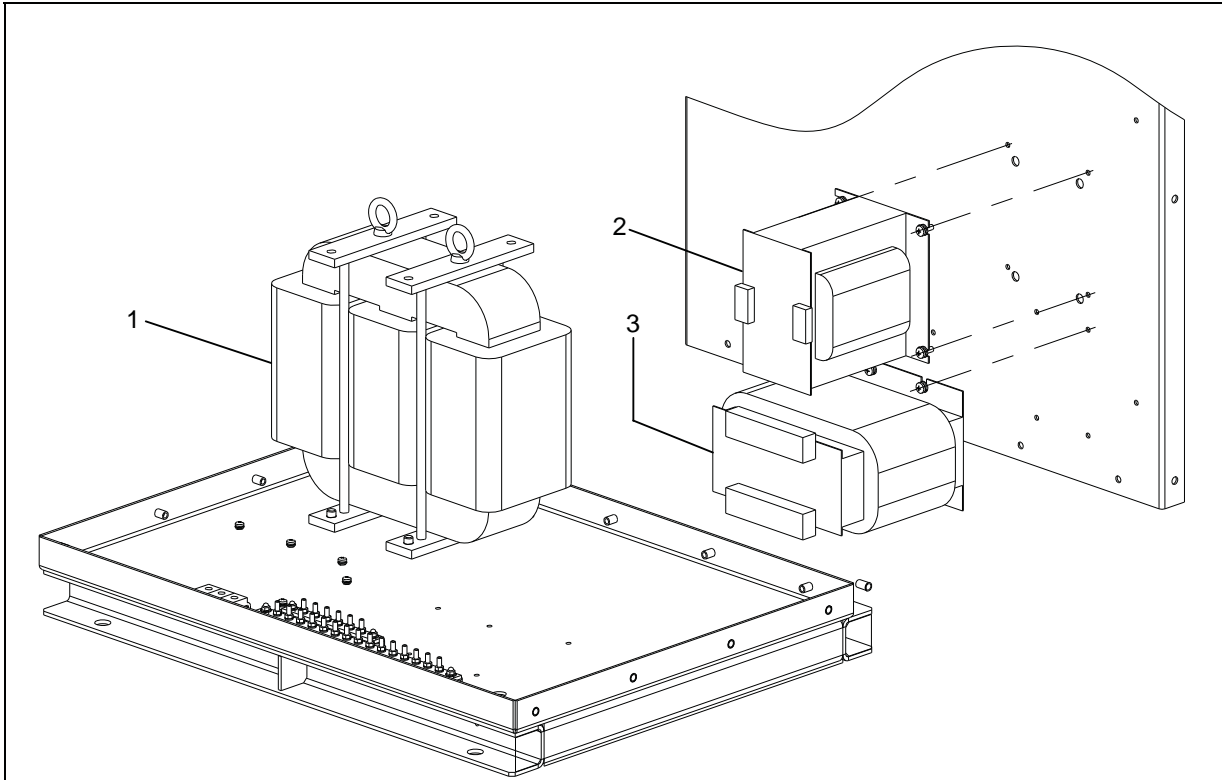
09-JGA25402AAM



REF. NO.	W/O Vintage PART or ML	DESCRIPTION	JAA25402AAM_~ JFA25402AAM_ USE for
1	JAA00234AAV001	3 PHASE REACTOR (L2)	ALL APA/JPA VERSION
2	JAA00225ABM001	TRANSFORMER (346-380V) TRF1	1,4,7,10,21,24,27,30,101,104,107, 110,121,124,127,130,201, 204, 207,210,221,224,227,230,
	JAA00225ABM002	TRANSFORMER (400-440V) TRF1	2,5,8,11,22,25,28,31,102,105,108, 111,122,125,128,131,202,205, 208,,211,222,225,228,231
	JAA00225ABM003	TRANSFORMER (460-480V) TRF1	3,6,9,12,23,26,29,32,103,106,109, 112,123,126,129,132,203,206, 209,212,223,226,229,232
3	JAA00225ACZ001	3 PHASE TRANSFORMER (346-380V) TRF2	1,4,7,10,21,24,27,30,101,104,107, 110,121,124,127,130,201, 204, 207,210,221,224,227,230,
	JAA00225ACZ002	3 PHASE TRANSFORMER (400-440V) TRF2	2,5,8,11,22,25,28,31,102,105,108, 111,122,125,128,131,202,205, 208,,211,222,225,228,231
	JAA00225ACZ003	3 PHASE TRANSFORMER (460-480V) TRF2	3,6,9,12,23,26,29,32,103,106,109, 112,123,126,129,132,203,206, 209,212,223,226,229,232



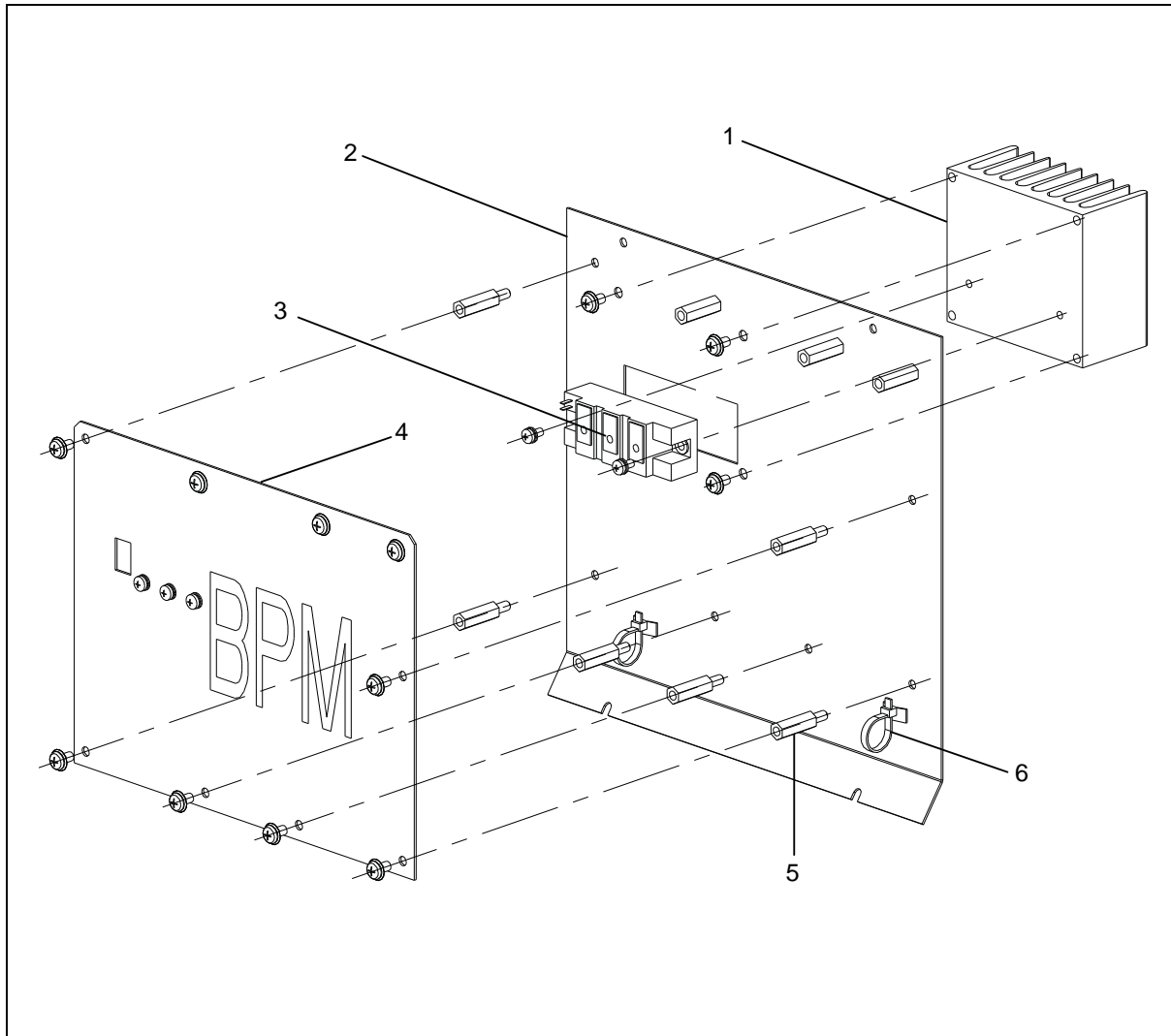
REF. NO.	W/O Vintage PART or ML	DESCRIPTION	JAA25402AAM_ ~ JGA25402AAM_ USE for
1	JAA00234AAV001	3 PHASE REACTOR	ALL CEN VERSION
2	JAA00225ACZ001	3 PHASE TRANSFORMER (346-380V) TRF2	13,16,33,36,113,116,133,136, 213,216,233,236,313,316
	JAA00225ACZ002	3 PHASE TRANSFORMER (400-440V) TRF2	14,17,34,37,114,117,134,137, 214,217,234,237,314,317
	JAA00225ACZ003	3 PHASE TRANSFORMER (460-480V) TRF2	15,18,35,38,115,118,135,138, 215,218,235,238,,315,318
3	JAA00225ABM001	TRANSFORMER (346-380V) TRF1	13,16,33,36,113,116,133,136, 213,216,233,236,313,316
	JAA00225ABM002	TRANSFORMER (400-440V) TRF1	14,17,34,37,114,117,134,137, 214,217,234,237,314,317
	JAA00225ABM003	TRANSFORMER (460-480V) TRF1	15,18,35,38,115,118,135,138, 215,218,235,238,,315,318
4	JAA00613AEA002 (+JAA00605ABM001) JAA613AFM91	RELAY SW1, 2	ALL CEN VERSION *Drilling work is needed to the back panel for fixing, when replacing from old part to new one.



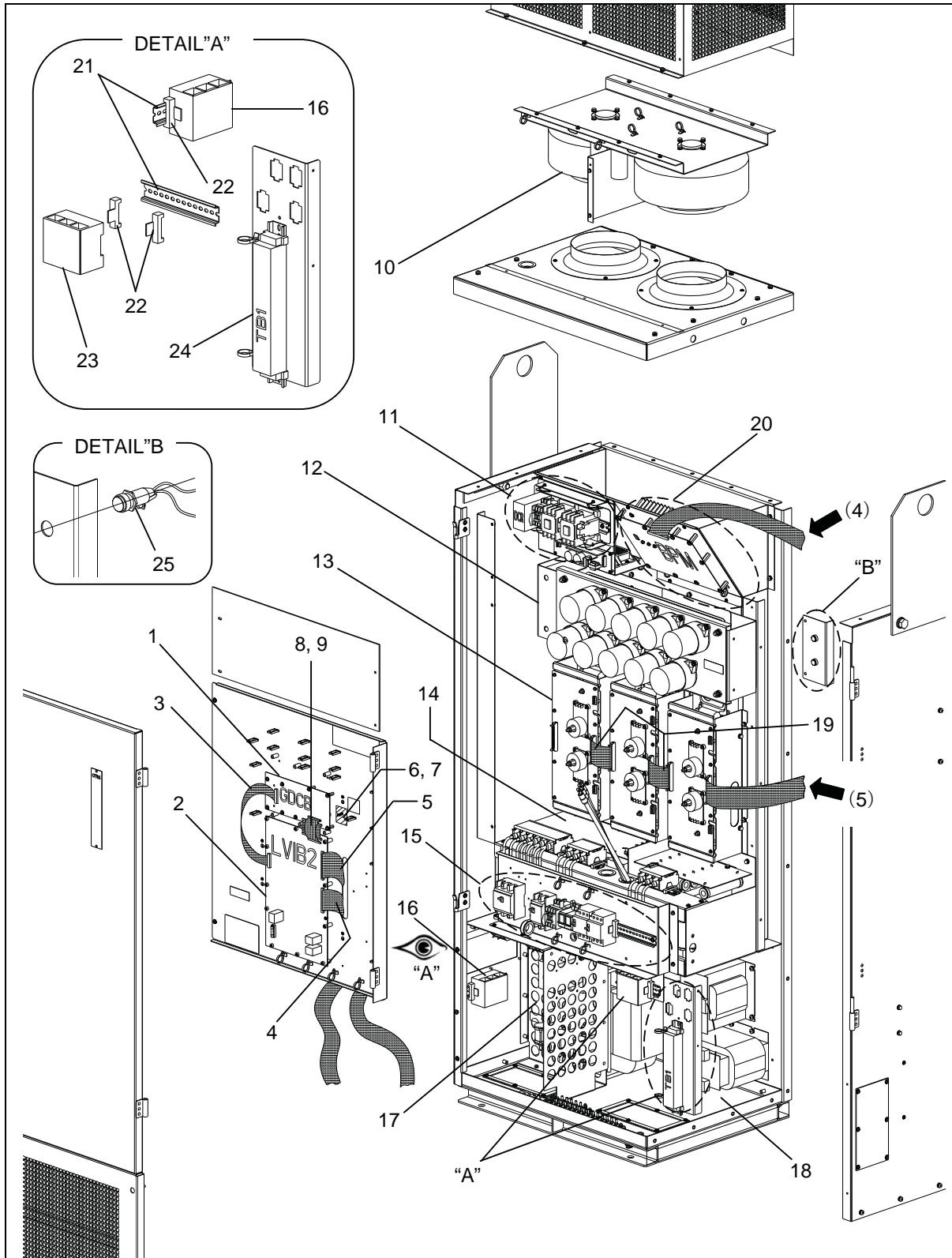
REF. NO.	W/O Vintage PART or ML	DESCRIPTION	JAA25402AAM_~ JGA25402AAM_ USE for
1	JAA00234AAV011	3 PHASE REACTOR	ALL CSA VERSION
2	JAA00225ABM003	TRANSFORMER (460-480V) TRF1	
3	JAA00225ACZ003	3 PHASE TRANSFORMER (460-480V) TRF2	
---	JAA00225ABP004	3 PHASE TRANSFORMER (480-440V) TRF3	

BRAKE POWER MODULE ASS'Y

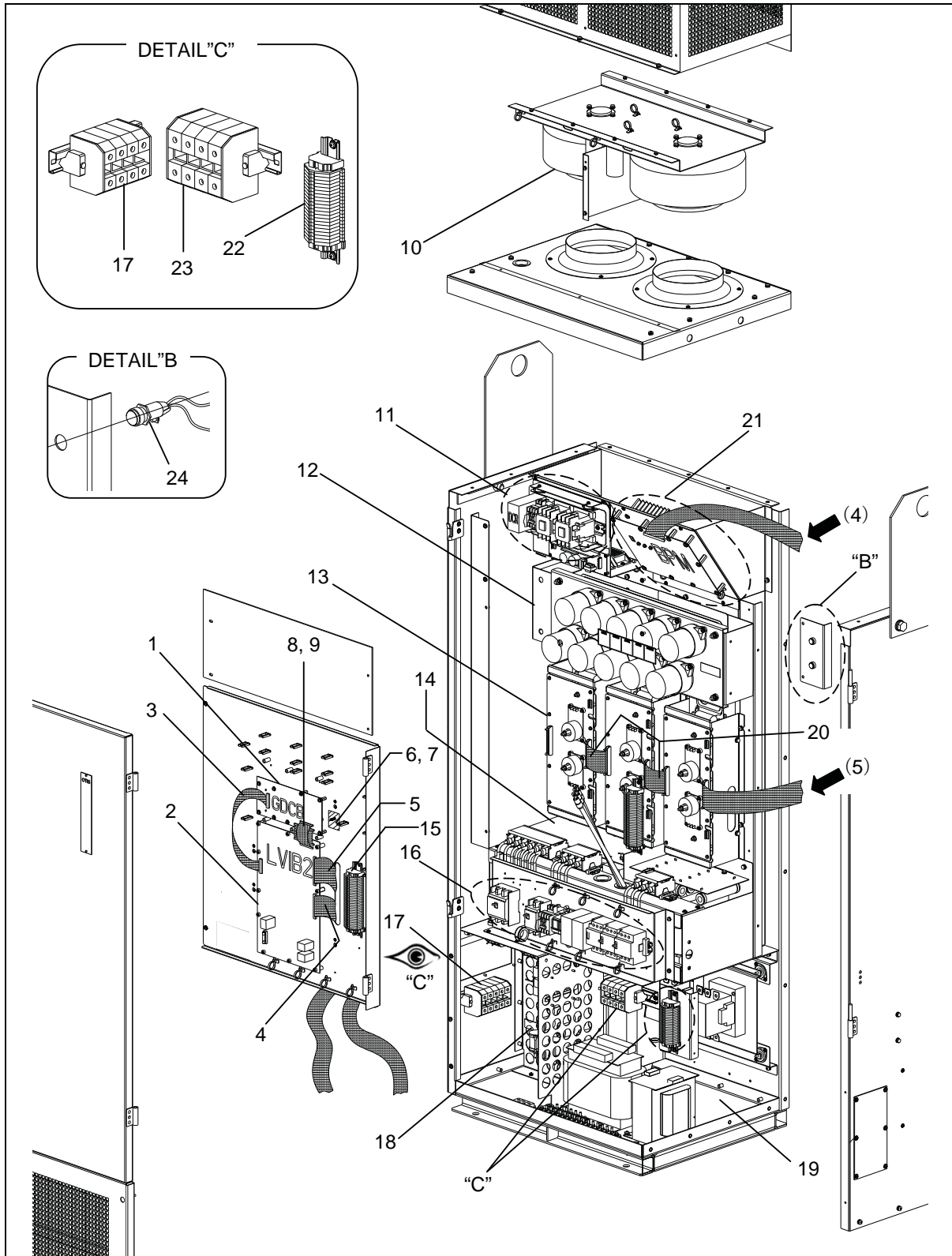
09-JGA25402AAM














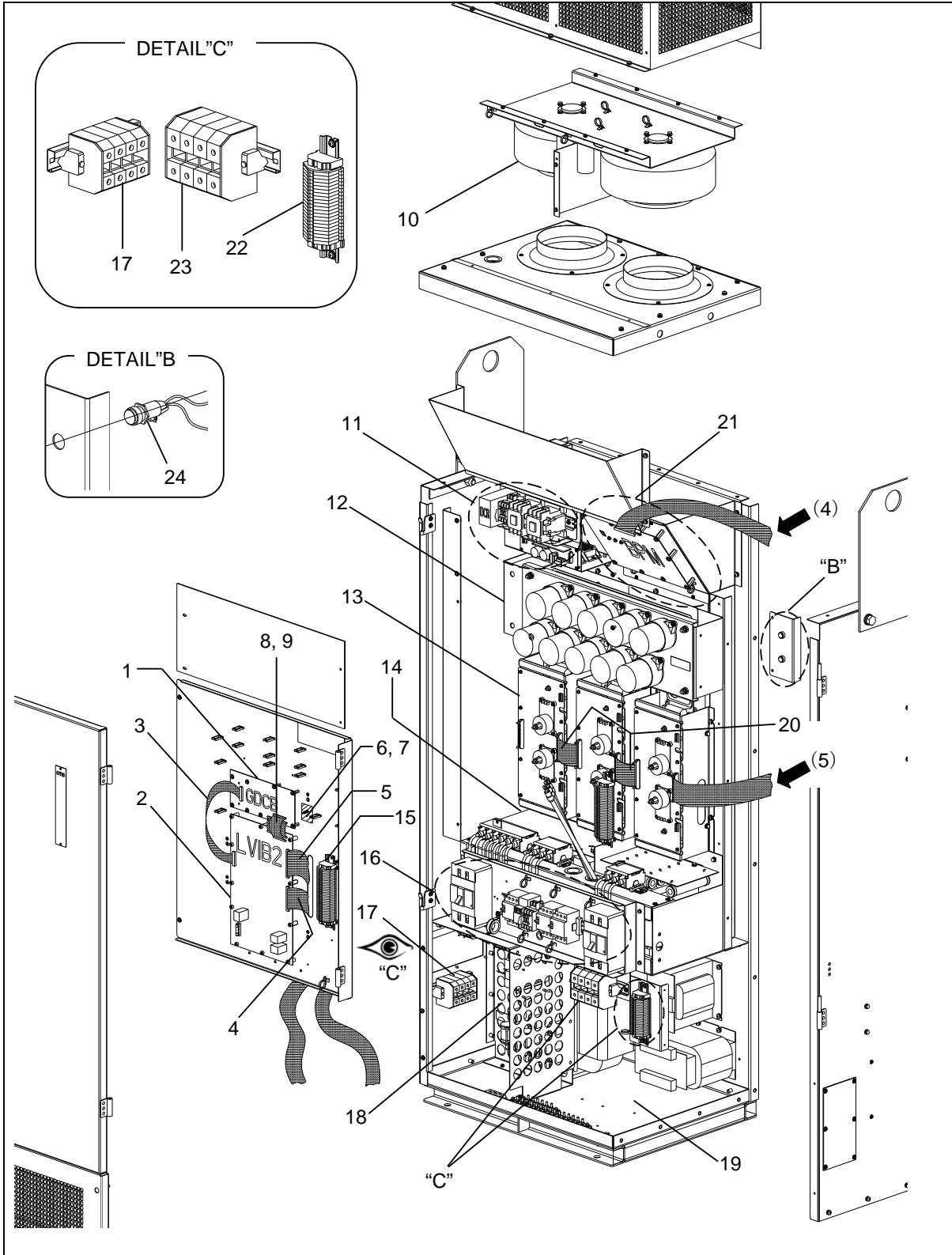
REF. NO.	PART or ML	DESCRIPTION
	JAA21350AAK1 JBA21350AAK1	
1	JAA00600ABS002	HEAT SINK
2	JAA433AHS1	PANEL, CONTROLLER
3	JAA00601ACD001 JAA601AFM1	IGBT
4	JBA26807BEN003	BRAKE POWER MODULE
5	JAA354AAX205	DISTANCE PIECE
6	JAA00339AAB002	CLIP















REF. NO.	PART or ML	DESCRIPTION	USE for
	JEA25402AAM JFA25402AAM		JEA25402AAM_ JFA25402AAM_
1	ADA26800AKT4 JAA26807CHC128	GLOBAL DRIVE CONTROL BOARD	
2	 Page 47	LOW VOLTAGE INTERFACE BOARD2	
3	JAA174KKD31	FLAT CABLE (L=380mm)	
4	JAA00174CCS003	FLAT CABLE (L=1500mm)	
5	JAA00174CCV002	FLAT CABLE (L=600mm)	
6	DAA26800W1	CAN TERMINATOR BOARD	JFA201~212, 221~232
7	JAA00462ADR005	SPACER for CTB	
8	JAA174KKD33	FLAT CABLE (L=90mm)	
9	JAA174KKD36	FLAT CABLE (L=50mm)	
10	 Page 17	FAN ASS'Y	
11	 Page 18, 19	RELAY ASS'Y	
12	 Page 20	CAPACITOR BANK	
13	 Page 21, 22	POWER MODULE	
14	JAA21350AAG11  Page 23	EMI FILTER	
15	JDA21350AAL 1	BREAKER ASS'Y (OLD TYPE)  P.24 — NOTE	JEA~JFA
	JEA21350AAL 4		101~103, 107~109, 201~203, 207~209
	 P. 24, 25 6		104~106, 110~112, 204~206, 210~212
	9		121~123, 127~129, 221~223, 227~229
	JAA21350ABB 1	BREAKER ASS'Y (NEW TYPE)	JFA
	 P.30, 31 4		101~103, 107~109, 201~203, 207~209
	6		104~106, 110~112, 204~206, 210~212
	9		121~123, 127~129, 221~223, 227~229
16	JAA00303ABE002	TERMINAL BLOCK [TRM1]	
17	JBA21350AAM1  Page 36	MAIN CONTACTOR ASS'Y	
18	 Page 37	BOTTOM PARTS	
19	JAA00174CCT001	FLAT CABLE (L=80mm)	
20	 Page 40	BRAKE POWER MODULE ASS'Y	
21	JO299FS19	DIN RAIL (L=165mm)	
22	JAA00477ABS002	STOPPER	
23	JAA00303ABE012	TERMINAL BLOCK [TRM2]	
24	JBA00303AEJ002	TERMINAL BLOCK [TBL1]	
25	JAA00424AAW001	PILOT LAMP [PL1, 2]	



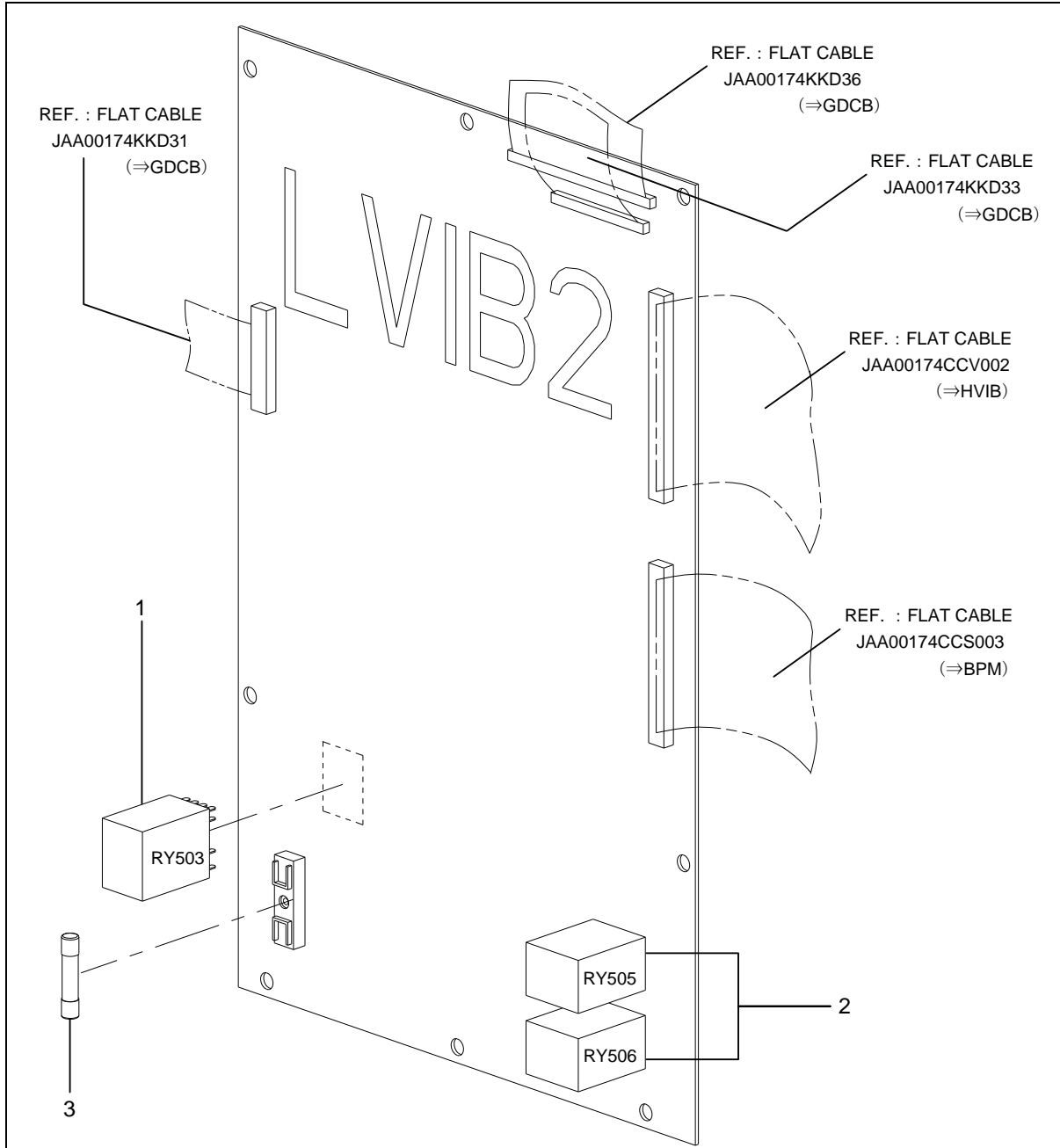
REF. NO.	PART or ML	DESCRIPTION	USE for
	JEA25402AAM~ JFA25402AAM JGA25402AAM		JEA25402AAM~ JFA25402AAM_ JGA25402AAM_
1	ADA26800AKT4 JAA26807CHC128	GLOBAL DRIVE CONTROL BOARD [GDCB]	
2	 Page 47	LOW VOLTAGE INTERFACE BOARD2 [LVIB2]	
3	JAA174KKD31	FLAT CABLE (L=380mm)	
4	JAA00174CCS003	FLAT CABLE (L=1500mm)	
5	JAA00174CCV002	FLAT CABLE (L=600mm)	
6	DAA26800W1	CAN TERMINATOR BOARD	JFA~JGA
7	JAA00462ADR005	SPACER for CTB	213 ~ 218, 233 ~ 238
8	JAA174KKD33	FLAT CABLE (L=90mm)	
9	JAA174KKD36	FLAT CABLE (L=50mm)	
10	 Page 17	FAN ASS'Y	
11	 Page 18, 19	RELAY ASS'Y	
12	 Page 20	CAPACITOR BANK	
13	 Page 21, 22	POWER MODULE	
14	JAA21350AAG11  Page 23	EMI FILTER	
15	JAA00303AEH003	TERMINAL BLOCK [TBL5]	
16	JDA21350AAL_ 2 JEA21350AAL_ 7  P. 26, 27	BREAKER ASS'Y (OLD TYPE)  P.26 — NOTE	JEA~JFA 113 ~ 118, 213 ~ 218 313 ~ 318
	JAA21350ABB 2  P. 32, 33 7	BREAKER ASS'Y (NEW TYPE)	JFA ~ JGA 113 ~ 118, 213 ~ 218 313 ~ 318
17	JAA00303ADK001	TERMINAL BLOCK [TRM1]	
18	JBA21350AAM2  Page 36	MAIN CONTACTOR ASS'Y	
19	 Page 38	BOTTOM PARTS	
20	JAA00174CCT001	FLAT CABLE (L=80mm)	
21	 Page 40	BRAKE POWER MODULE ASS'Y	
22	JAA00303AEG003	TERMINAL BLOCK [TBL1]	
23	JAA00303ADK003	TERMINAL BLOCK [TRM2]	
24	JAA00424AAW001	PILOT LAMP [PL1, 2]	



REF. NO.	PART or ML	DESCRIPTION	USE for	
	JEA25402AAM JFA25402AAM JGA25402AAM		JEA25402AAM JFA25402AAM JGA25402AAM	
1	ADA26800AKT4 JAA26807CHC128	GLOBAL DRIVE CONTROL BOARD [GDCB]		
2	 Page 47	LOW VOLTAGE INTERFACE BOARD2 [LVIB2]		
3	JAA174KKD31	FLAT CABLE (L=380mm)		
4	JAA00174CCS003	FLAT CABLE (L=1500mm)		
5	JAA00174CCV002	FLAT CABLE (L=600mm)		
6	DAA26800W1	CAN TERMINATOR BOARD	JFA~JGA	
7	JAA00462ADR005	SPACER for CTB	219, 220, 239	
8	JAA174KKD33	FLAT CABLE (L=90mm)		
9	JAA174KKD36	FLAT CABLE (L=50mm)		
10	 Page 17	FAN ASS'Y		
11	 Page 18, 19	RELAY ASS'Y		
12	 Page 20	CAPACITOR BANK		
13	 Page 21, 22	POWER MODULE		
14	JAA21350AAG12  Page 23	EMI FILTER		
15	JAA00303AEH003	TERMINAL BLOCK [TBL5]		
16	JDA21350AAL JEA21350AAL_  P. 28, 29	3	BREAKER ASS'Y (OLD TYPE)	JEA~JFA119, 219
		5	 P.28 — NOTE	JEA~JFA120, 220
		8		JEA~JFA139, 239
	JAA21350ABB  P. 34, 35	3	BREAKER ASS'Y (NEW TYPE)	JFA~JGA119, 219, 319
		5		JFA~JGA120, 220, 320
		8		JFA~JGA139, 239
17	JAA00303ADK002	TERMINAL BLOCK [TRM1]		
18	JBA21350AAM3  Page 36	MAIN CONTACTOR ASS'Y		
19	 Page 39	BOTTOM PARTS		
20	JAA00174CCT001	FLAT CABLE (L=80mm)		
21	 Page 40	BRAKE POWER MODULE ASS'Y		
22	JAA00303AEG003	TERMINAL BLOCK [TBL1]		
23	JAA00303ADK004	TERMINAL BLOCK [TRM2]		
24	JAA00424AAW001	PILOT LAMP [PL1, 2]		

LVIB2 (for G DRIVE)

09-JGA25402AAM



REF. NO.	PART or ML	DESCRIPTION	MAKER
	JBA26807CBL1		
1	JO613DD15	RELAY : HC4-H-AC100V (RY503)	PANASONIC
2	JO613DM11	RELAY : HC2-H-AC100V-F (RY505, RY506)	
3	250CF-4	FUSE : 4A	HINODE