

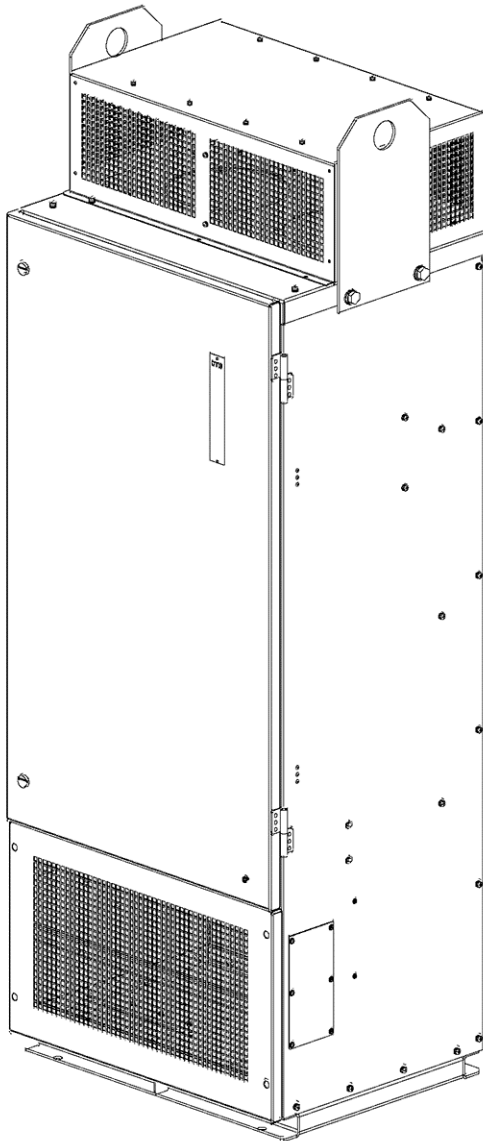
OVF428X, OVF428G
(DBSS)

Spare Parts Leaflet

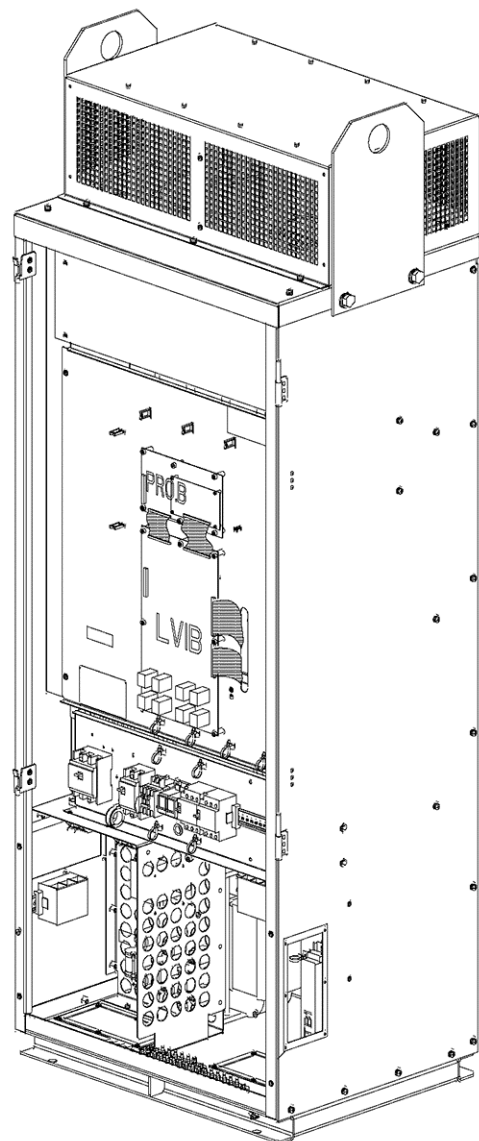
09-JHA25402AAM

June 25, 2014 / Page 1 of 49

W / COVER



W / O COVER



OTIS

SERVICE ENGINEERING
Otis Elevator Company
Shibayama Factory, Japan

Unpublished Work—© Otis Elevator Co.; 2014

History
09-JHA25402AAM
First Published: Month 2012

OVF428X, OVF428G (DBSS)

REVISED DATE	AUTHOR	PRIMARY REASON FOR REVISION
December 1, 2000	Hirayama Hiroyuki	New SPL
August 1, 2001	Hirayama Hiroyuki	Writing error correction on p.16.
February 20, 2002	Yamaoka Takayuki	Update parts & art work.
April 8, 2002	Hirayama Hiroyuki	Update parts & art work.
April 10, 2012	Yamaoka Takayuki	Revised Edition.
June 25, 2014	Yamaoka Takayuki	JHA Redesigned. (Added arr. No.133-139, 233-239, 419-420, 501-536) Changed LVIB2: JBA26807CBL⇒JCA PANEL: JAA433ATG1⇒JAA433ATG2 Added FAN: JAA21350AAH2

Leaflet Description

This leaflet provides spare parts information for OVF 428X & 428G DRIVE.

RELATED LEAFLET NUMBERS	TITLES
---	---
---	---







DRAWING REFERENCES		
JHA25402AAM	ADA26800RN (for X Drive)	JAA21350AAH
JCA21350AAJ	JAA21350AAB	JCA21350AAA
JAA21350AAG	JEA21350AAL	JAA21350ABB
JBA21350AAM	JBA21350AAK	JCA26807CBL (for G Drive)

RELATED DOCUMENT NUMBERS	TITLES
---	---
---	---

This Spare Parts Leaflet (SPL) is prepared to assist you in determining the Lowest Replaceable Units (LRU) supported by the Otis Service Center for the standard version of the product titled on the preceding page. The parts are chosen by Otis associates from: Engineering, Field Engineering, Service Engineering, and Manufacturing. We attempt to make part identification as easy as possible. The SPL, however, cannot be all inclusive. Elevator and escalator contracts classified as either "special" or "custom" are not addressed. Alternative sources of information such as: the Contract Folder, Technical Information Publications, Field Education Articles, Construction Letters, etc. may give the information you are after. You live in the real world of maintaining your elevator and escalator contracts. On a daily basis, situations arise regarding parts identification and at times, for some reason, the part you need is not in the SPL. If you think a standard part not listed should be—let us know. We will respond.

Yamaoka, Takayuki-Nippon OTIS Service Center

ARRANGEMENT (X DRIVE)

J_A25402AAM_		CONTROLLER: E411 MCS412 MACHINE: PM30T				
ASSEMBLY NO.	VER.	VOLTAGE	W/ BATT.	NOTE	UCM	FAN
JFA25402AAM1	JPA  Page 10, 11	346V-380V	---	E-82G"D"		
JFA25402AAM2		400V-440V				
JFA25402AAM3		460V-480V				
JFA25402AAM4		346V-380V				
JFA25402AAM5		400V-440V				
JFA25402AAM6		460V-480V				
JFA25402AAM7	APA  Page 10, 11	346V-380V	---	UT BLUE		
JFA25402AAM8		400V-440V				
JFA25402AAM9		460V-480V				
JFA25402AAM10		346V-380V				
JFA25402AAM11		400V-440V				
JFA25402AAM12		460V-480V				
JGA25402AAM13	CEN  Page 12, 13	346V-380V	---	CAPRI BLUE	W/O	
JGA25402AAM14		400V-440V				
JGA25402AAM15		460V-480V				
JGA25402AAM16		346V-380V				
JGA25402AAM17		400V-440V				
JGA25402AAM18		460V-480V				
JGA25402AAM19	CSA  Page 14, 15	460V-480V	---	UT BLUE		
JGA25402AAM20						
JHA25402AAM19	CSA  Page 14, 15	460V-480V	---	W/ BLOWER		
JHA25402AAM20						
JHA25402AAM501	CEN  Page 12, 13	346V-380V	---	CAPRI BLUE		
JHA25402AAM502		400V-440V				
JHA25402AAM503		460V-480V				
JHA25402AAM504		346V-380V				
JHA25402AAM505		400V-440V				
JHA25402AAM506		460V-480V				

JAA21350AAH1

JAA21350AAH2







09-JHA25402AAM

OVF 428X (DBSS)







ARRANGEMENT (X DRIVE)

CONTROLLER: E411 MCS412

MACHINE: PM30T

J_A25402AAM_		CONTROLLER: E411 MCS412 MACHINE: PM30T				
ASSEMBLY NO.	VER.	VOLTAGE	W/ BATT.	NOTE	UCM	FAN
JFA25402AAM21	JPA  Page 10, 11	346V-380V	---	E-82G"D"	W/O	JAA21350AAH1
JFA25402AAM22		400V-440V				
JFA25402AAM23		460V-480V				
JFA25402AAM24		346V-380V				
JFA25402AAM25		400V-440V				
JFA25402AAM26		460V-480V				
JFA25402AAM27	APA  Page 10, 11	346V-380V	---	UT BLUE	W/O	
JFA25402AAM28		400V-440V				
JFA25402AAM29		460V-480V				
JFA25402AAM30		346V-380V				
JFA25402AAM31		400V-440V				
JFA25402AAM32		460V-480V				
JGA25402AAM33	CEN  Page 12, 13	346V-380V	---	UT BLUE	W/O	
JGA25402AAM34		400V-440V				
JGA25402AAM35		460V-480V				
JGA25402AAM36		346V-380V				
JGA25402AAM37		400V-440V				
JGA25402AAM38		460V-480V				
JGA25402AAM39	CSA  Page 14, 15	460V-480V	---		W/O	
JHA25402AAM39	CSA  Page 14, 15	460V-480V				
JHA25402AAM507	CEN  Page 12, 13	346V-380V	---	CAPRI BLUE	W/O	JAA21350AAH2
JHA25402AAM508		400V-440V				
JHA25402AAM509		460V-480V				
JHA25402AAM510		346V-380V				
JHA25402AAM511		400V-440V				
JHA25402AAM512		460V-480V				

ARRANGEMENT (G DRIVE)

J_A25402AAM_		CONTROLLER: E411 MCS412 MACHINE: PM30T				
ASSEMBLY NO.	VER.	VOLTAGE	W/ BATT.	NOTE	UCM	FAN
JFA25402AAM101	JPA  Page 41, 42	346V-380V	---	E-82G"D"	W/O	JAA21350AAH1
JFA25402AAM102		400V-440V				
JFA25402AAM103		460V-480V				
JFA25402AAM104		346V-380V				
JFA25402AAM105		400V-440V				
JFA25402AAM106		460V-480V				
JFA25402AAM107	APA  Page 41, 42	346V-380V	---	UT BLUE		
JFA25402AAM108		400V-440V				
JFA25402AAM109		460V-480V				
JFA25402AAM110		346V-380V				
JFA25402AAM111		400V-440V				
JFA25402AAM112		460V-480V				
JGA25402AAM113	CEN  Page 43-45	346V-380V	---	CAPRI BLUE		
JGA25402AAM114		400V-440V				
JGA25402AAM115		460V-480V				
JGA25402AAM116		346V-380V				
JGA25402AAM117		400V-440V				
JGA25402AAM118		460V-480V				
JGA25402AAM119	CSA  Page 46-48	460V-480V	---	W/ BLOWER		
JHA25402AAM119				CSA  Page 46-48	460V-480V	W/ BLOWER
JHA25402AAM120	CEN  Page 43-45	346V-380V	---			CAPRI BLUE
JHA25402AAM514		400V-440V				
JHA25402AAM515		460V-480V				
JHA25402AAM516		346V-380V				
JHA25402AAM517		400V-440V				
JHA25402AAM518		460V-480V				
						JAA21350AAH2







09-JHA25402AAM

OVF 428G (DBSS)







ARRANGEMENT (G DRIVE)

CONTROLLER: E411 MCS412

MACHINE: PM30T

J_A25402AAM_		CONTROLLER: E411 MCS412 MACHINE: PM30T				
ASSEMBLY NO.	VER.	VOLTAGE	W/ BATT.	NOTE	UCM	FAN
JFA25402AAM121	JPA  Page 41, 42	346V-380V	---	E-82G"D"	W/O	JAA21350AAH1
JFA25402AAM122		400V-440V				
JFA25402AAM123		460V-480V				
JFA25402AAM124		346V-380V				
JFA25402AAM125		400V-440V				
JFA25402AAM126		460V-480V				
JFA25402AAM127	APA  Page 41, 42	346V-380V	---	UT BLUE	W/O	JAA21350AAH1
JFA25402AAM128		400V-440V				
JFA25402AAM129		460V-480V				
JFA25402AAM130		346V-380V				
JFA25402AAM131		400V-440V				
JFA25402AAM132		460V-480V				
JGA25402AAM133	CEN  Page 43-45	346V-380V	---	CAPRI BLUE	W/O	JAA21350AAH1
JGA25402AAM134		400V-440V				
JGA25402AAM135		460V-480V				
JGA25402AAM136		346V-380V				
JGA25402AAM137		400V-440V				
JGA25402AAM138		460V-480V				
JGA25402AAM139	CSA  Page 46-48	460V-480V				
JHA25402AAM133	CEN  Page 43-45	346V-380V	---	CAPRI BLUE	W/O	JAA21350AAH1
JHA25402AAM134		400V-440V				
JHA25402AAM135		460V-480V				
JHA25402AAM136		346V-380V				
JHA25402AAM137		400V-440V				
JHA25402AAM138		460V-480V				
JHA25402AAM139	CSA  Page 46-48	460V-480V				

ARRANGEMENT (G DRIVE)

J_A25402AAM_		CONTROLLER: RS422 OVER CAN MACHINE: PM30T				
ASSEMBLY NO.	VER.	VOLTAGE	W/ BATT.	NOTE	UCM	FAN
JFA25402AAM201	JPA  Page 41, 42	346V-380V	---	E-82G"D"	W/O	JAA21350AAH1
JFA25402AAM202		400V-440V				
JFA25402AAM203		460V-480V				
JFA25402AAM204		346V-380V	W/ BATTERY			
JFA25402AAM205		400V-440V				
JFA25402AAM206		460V-480V				
JFA25402AAM207	APA  Page 41, 42	346V-380V	---	UT BLUE		
JFA25402AAM208		400V-440V				
JFA25402AAM209		460V-480V				
JFA25402AAM210		346V-380V	W/ BATTERY			
JFA25402AAM211		400V-440V				
JFA25402AAM212		460V-480V				
JGA25402AAM213	CEN  Page 43-45	346V-380V	---	CAPRI BLUE		
JGA25402AAM214		400V-440V				
JGA25402AAM215		460V-480V				
JGA25402AAM216		346V-380V				
JGA25402AAM217		400V-440V				
JGA25402AAM218		460V-480V				
JGA25402AAM219	CSA  Page 46-48	460V-480V	---	W/ BLOWER		
JGA25402AAM220						
JHA25402AAM219	CSA  Page 46-48	460V-480V	---	W/ BLOWER		
JHA25402AAM220						
JHA25402AAM519	CEN  Page 43-45	346V-380V	---	CAPRI BLUE	W	JAA21350AAH2
JHA25402AAM520		400V-440V				
JHA25402AAM521		460V-480V				
JHA25402AAM522		346V-380V				
JHA25402AAM523		400V-440V				
JHA25402AAM524		460V-480V				

09-JHA25402AAM







OVF 428G (DBSS)

ARRANGEMENT (G DRIVE)







J_A25402AAM_

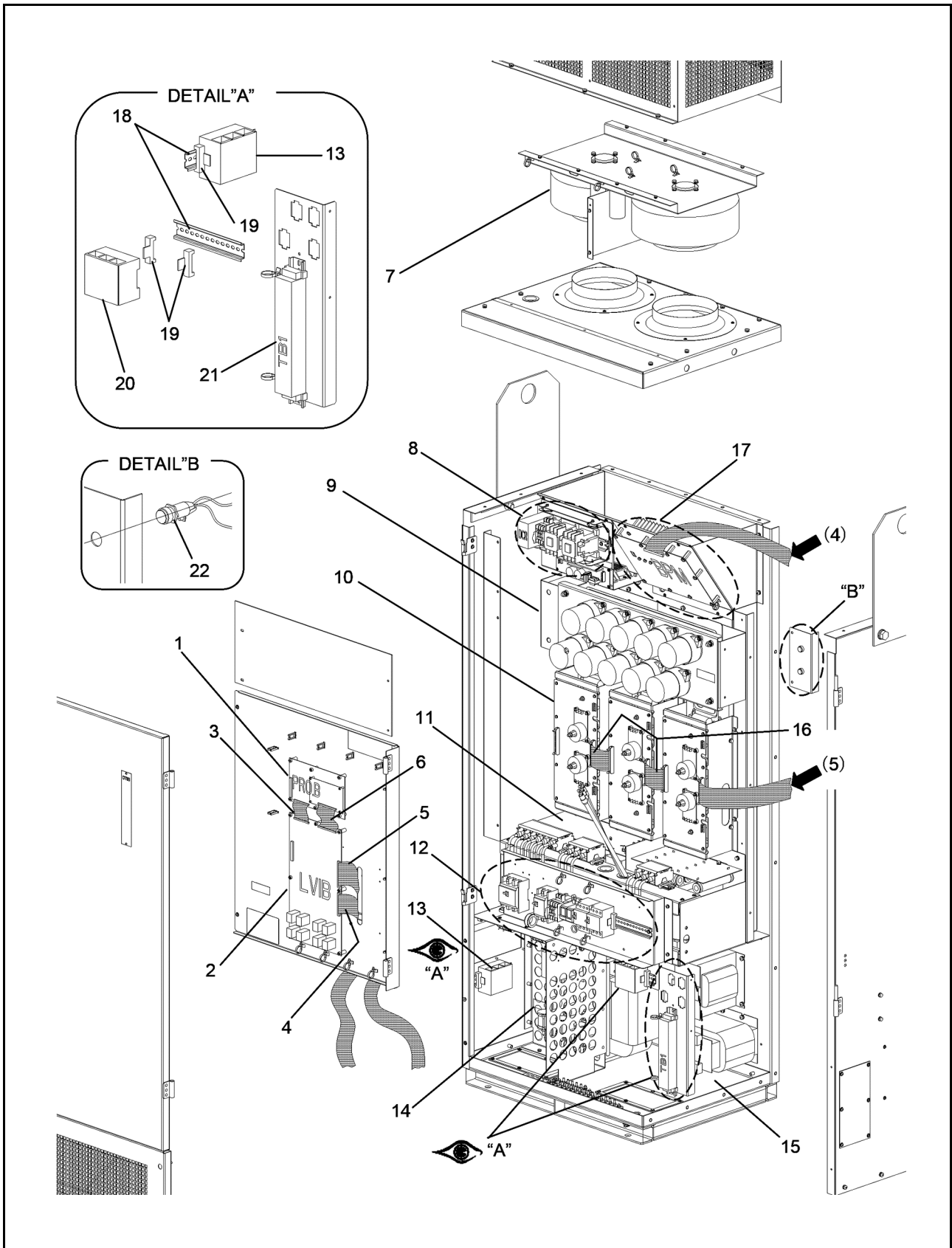
CONTROLLER: RS422 OVER CAN

MACHINE: IM40T W/BLOWER

ASSEMBLY NO.	VER.	VOLTAGE	W/ BATT.	NOTE	UCM	FAN
JFA25402AAM221	JPA  Page 41, 42	346V-380V	---	E-82G"D"	W/O	JAA21350AAH1
JFA25402AAM222		400V-440V				
JFA25402AAM223		460V-480V				
JFA25402AAM224		346V-380V	W/ BATTERY			
JFA25402AAM225		400V-440V				
JFA25402AAM226		460V-480V				
JFA25402AAM227	APA  Page 41, 42	346V-380V	---	UT BLUE		
JFA25402AAM228		400V-440V				
JFA25402AAM229		460V-480V				
JFA25402AAM230		346V-380V	W/ BATTERY			
JFA25402AAM231		400V-440V				
JFA25402AAM232		460V-480V				
JGA25402AAM233	CEN  Page 43-45	346V-380V	---	CAPRI BLUE		
JGA25402AAM234		400V-440V				
JGA25402AAM235		460V-480V				
JGA25402AAM236		346V-380V		UT BLUE		
JGA25402AAM237		400V-440V				
JGA25402AAM238		460V-480V				
JGA25402AAM239	CSA  Page 46-48	460V-480V				
JHA25402AAM233	CEN  Page 43-45	346V-380V	---	CAPRI BLUE	W	
JHA25402AAM234		400V-440V				
JHA25402AAM235		460V-480V				
JHA25402AAM236		346V-380V		UT BLUE		
JHA25402AAM237		400V-440V				
JHA25402AAM238		460V-480V				
JHA25402AAM239	CSA  Page 46-48	460V-480V				

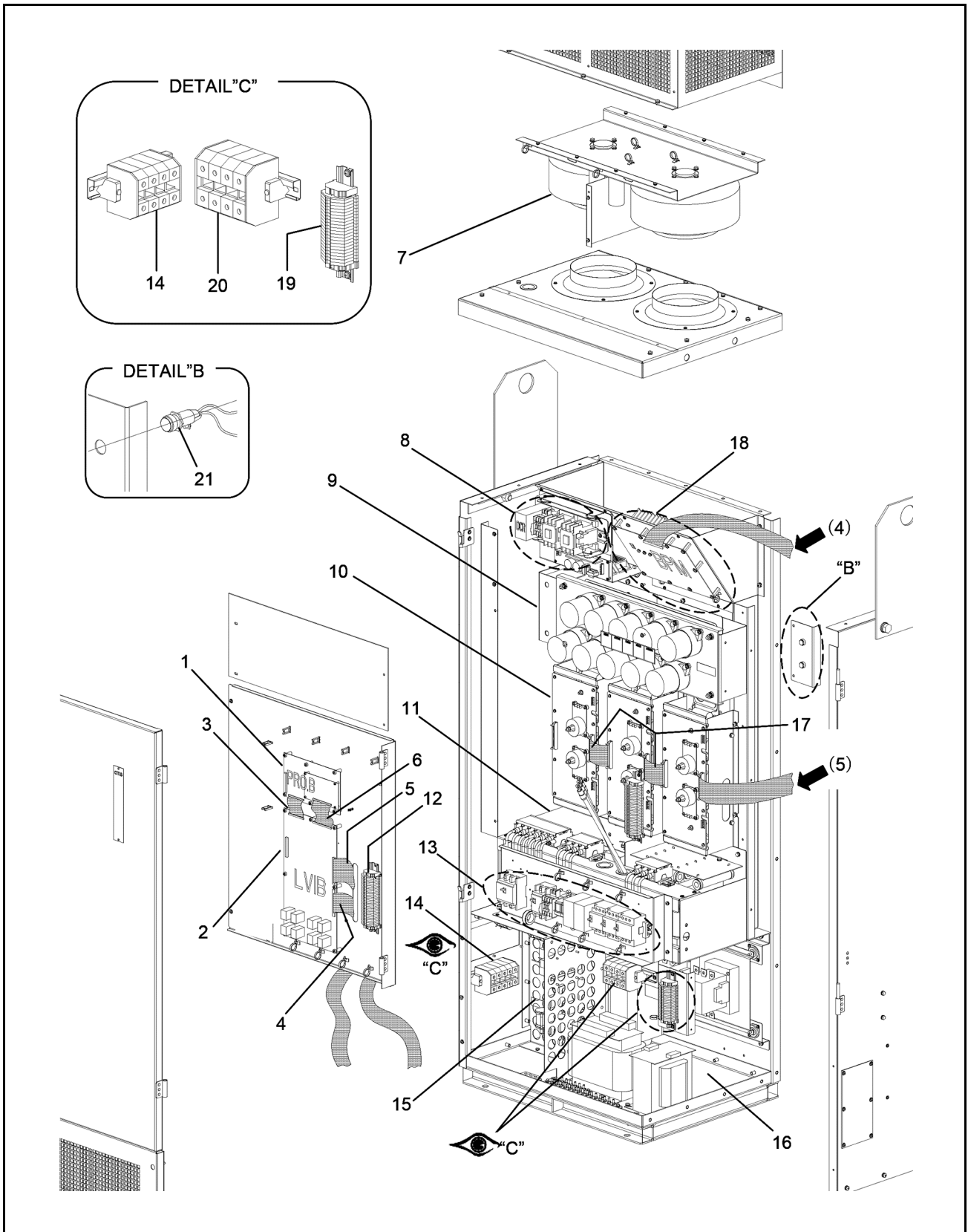
ARRANGEMENT (G DRIVE)














J_A25402AAM_		CONTROLLER: CAN MACHINE: PM30T				
ASSEMBLY NO.	VER.	VOLTAGE	W/ BATT.	NOTE	UCM	NE
JGA25402AAM313	CEN  Page 43-45	346V-380V	---	CAPRI BLUE	W/O	JAA21350AAH1
JGA25402AAM314		400V-440V				
JGA25402AAM315		460V-480V				
JGA25402AAM316		346V-380V		UT BLUE		
JGA25402AAM317		400V-440V				
JGA25402AAM318		460V-480V				
JGA25402AAM319	CSA  Page 46-48	460V-480V	---	W/ BLOWER	W/O	
JGA25402AAM320						
JHA25402AAM319	CSA  Page 46-48	460V-480V	---	W/ BLOWER	W/O	
JHA25402AAM320						
JHA25402AAM419	CSA  Page 46-48	460V-480V	---	W/ BLOWER	W	
JHA25402AAM420						
JHA25402AAM525	CEN  Page 43-45	346V-380V	---	CAPRI BLUE	W/O	
JHA25402AAM526		400V-440V				
JHA25402AAM527		460V-480V				
JHA25402AAM528		346V-380V		UT BLUE		
JHA25402AAM529		400V-440V				
JHA25402AAM530		460V-480V				
JHA25402AAM531	CEN  Page 43-45	346V-380V	---	CAPRI BLUE	W	
JHA25402AAM532		400V-440V				
JHA25402AAM533		460V-480V				
JHA25402AAM534		346V-380V		UT BLUE		
JHA25402AAM535		400V-440V				
JHA25402AAM536		460V-480V				



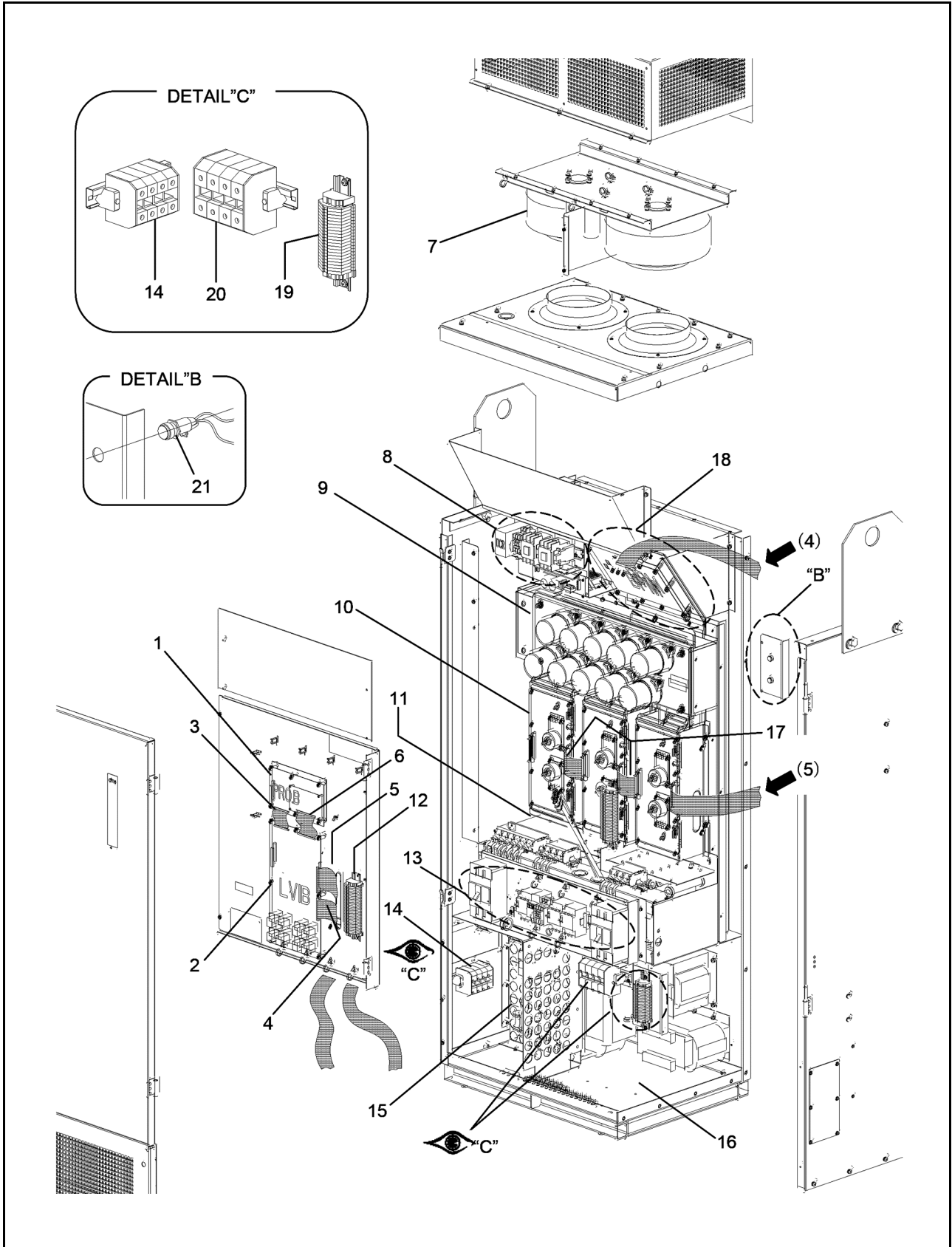
REF. NO.	PART or ML	DESCRIPTION	USE for
	JAA25402AAM JDA25402AAM JFA25402AAM		JAA25402AAM JDA25402AAM JFA25402AAM
1	ABA26800VA1 ACA26800VA1 ADA26800VA1	PROCESSOR BOARD Note	
2	Page 16	LOW VOLTAGE INTERFACE BOARD	
3	JAA00174CCS004	FLAT CABLE (L=100mm)	
4	JAA00174CCS003	FLAT CABLE (L=1500mm)	
5	JAA00174CCV001	FLAT CABLE (L=600mm)	
6	JAA00174CCS005	FLAT CABLE (L=100mm)	
7	Page 17	FAN ASS'Y	
8	Page 18, 19	RELAY ASS'Y	
9	Page 20	CAPACITOR BANK	
10	Page 21, 22	POWER MODULE	
11	JAA21350AAG11 Page 23	EMI FILTER	
12	JAA JDA21350AAL JEA21350AAL P. 24, 25	BREAKER ASS'Y (OLD TYPE) P.24 — NOTE	1, 2, 3, 7, 8, 9
	1, 4, 6, 9		4, 5, 6, 10, 11, 12
	2, 3, 5, 7, 8, 9		21, 22, 23, 27, 28, 29
	2, 3, 4, 5, 6, 7, 8, 9		24, 25, 26, 30, 31, 32
13	JAA00303ABE002	TERMINAL BLOCK [TRM1]	
14	JAA21350AAM1 JBA21350AAM1 Page 36	MAIN CONTACTOR ASS'Y	
	Page 37		
15	Page 37	BOTTOM PARTS	
16	JAA00174CCT001	FLAT CABLE (L=80mm)	
17	Page 40	BRAKE POWER MODULE ASS'Y [BPM]	
18	JO299FS19	DIN RAIL (L=165mm)	
19	JAA00477ABS002	STOPPER	
20	JAA00303ABE012	TERMINAL BLOCK [TRM2]	
21	JBA00303AEJ001 JBA00303AEJ002	TERMINAL BLOCK [TBL1]	
22	JAA00424AAW001	PILOT LAMP [PL1, 2]	

Note) When PROB is not available (No longer in Production) , please perform an order of the next parts.
 JAA26807CHC128, ~~JBA~~JCA26807CBL1, JAA174KKD1, JAA174KKD21, JAA174KKD31, JAA174KKD33,
 JAA174KKD36, JAA174KWT2, JAA00174CCV002, JAA438BEX2, JAA285CDD1... (By for each 1)
 JAA00339AEJ003 (15) , PSM03X008-T (2) , PSM04X012-RL (4)



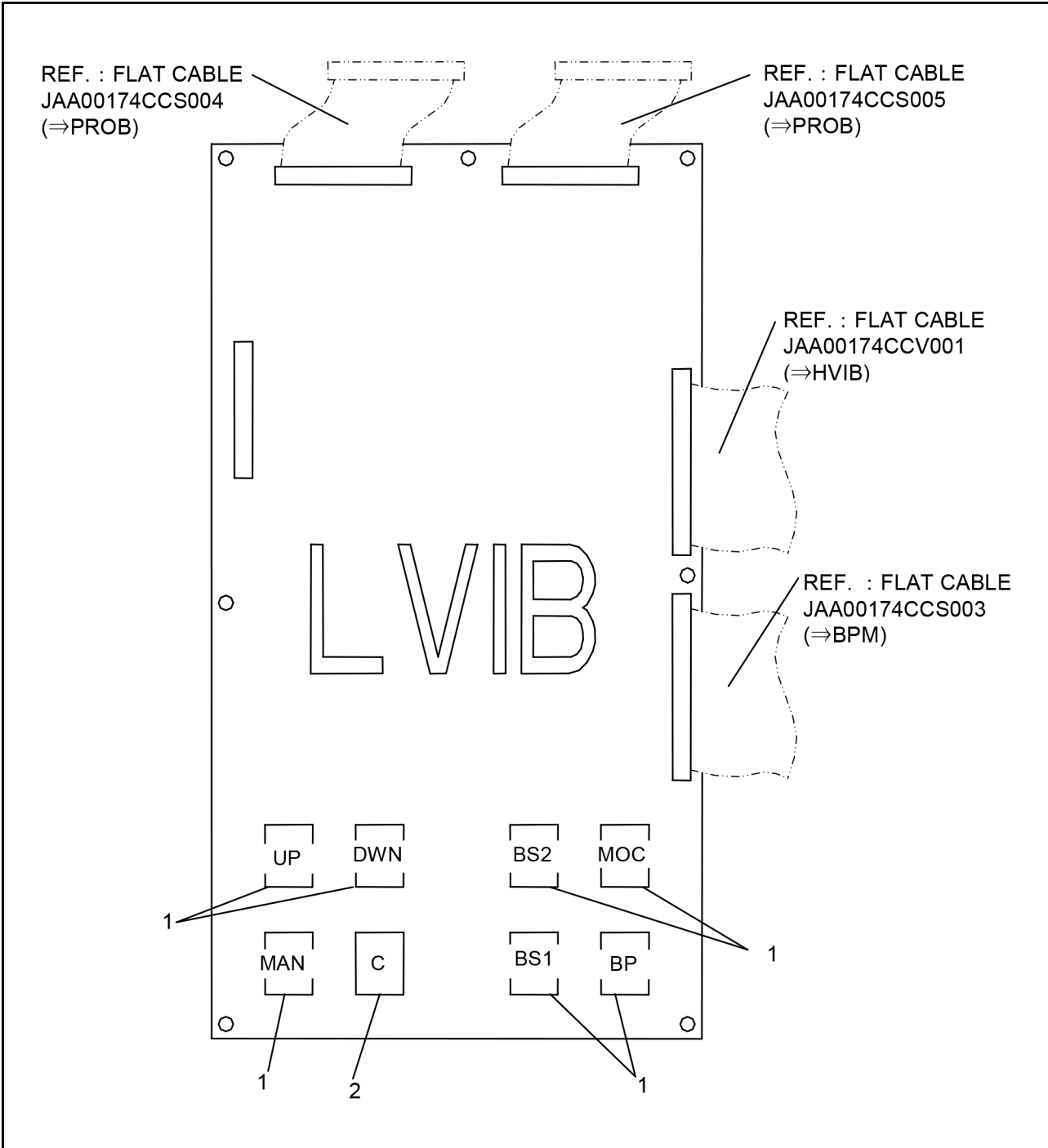
REF. NO.	J_A25402AAM PART or ML	DESCRIPTION	J_A25402AAM USE for
1	ABA26800VA1 ACA26800VA1 ADA26800VA1	PROCESSOR BOARD  Note	
2	 Page 16	LOW VOLTAGE INTERFACE BOARD	
3	JAA00174CCS004	FLAT CABLE (L=100mm)	
4	JAA00174CCS003	FLAT CABLE (L=1500mm)	
5	JAA00174CCV001	FLAT CABLE (L=600mm)	
6	JAA00174CCS005	FLAT CABLE (L=100mm)	
7	JAA21350AAH <u>1</u>	FAN ASS'Y	JHA 501~512
	 Page 17 <u>2</u>		
8	 Page 18, 19	RELAY ASS'Y	
9	 Page 20	CAPACITOR BANK	
10	 Page 21, 22	POWER MODULE	
11	JAA21350AAG11  Page 23	EMI FILTER	
12	JAA00303AEH002 JAA00303AEH003	TERMINAL BLOCK [TBL5]	
13	JAA~ JDA21350AAL <u>2</u>	BREAKER ASS'Y (OLD TYPE)  P.26 — NOTE	JAA~JFA 13 ~ 18
	JEA21350AAL <u>7</u>  P. 26, 27		JAA~JFA 33 ~ 38
	JAA21350ABB <u>2</u>  P. 32, 33 <u>7</u>	BREAKER ASS'Y (NEW TYPE)	JGA 13~18 JHA 501~506 JGA 33~38 JHA 507~512
14	JAA00303ADK001	TERMINAL BLOCK [TRM1]	
15	JAA21350AAM2 JBA21350AAM2	MAIN CONTACTOR ASS'Y	
	 Page 36		
16	 Page 38	BOTTOM PARTS	
17	JAA00174CCT001	FLAT CABLE (L=80mm)	
18	 Page 40	BRAKE POWER MODULE ASS'Y	
19	JAA00303AEG003	TERMINAL BLOCK [TBL1]	
20	JAA00303ADK003	TERMINAL BLOCK [TRM2]	
21	JAA00424AAW001	PILOT LAMP [PL1, 2]	

NOTE: When PROB is not available (No longer in Production) , please perform an order of the next parts. JAA26807CHC128, ~~JBA~~JCA26807CBL1, JAA174KKD1, JAA174KKD21, JAA174KKD31, JAA174KKD33, JAA174KKD36, JAA174KWT2, JAA00174CCV002, JAA438BEX2, JAA285CDD1... (By for each 1) JAA00339AEJ003 (15) , PSM03X008-T (2) , PSM04X012-RL (4)



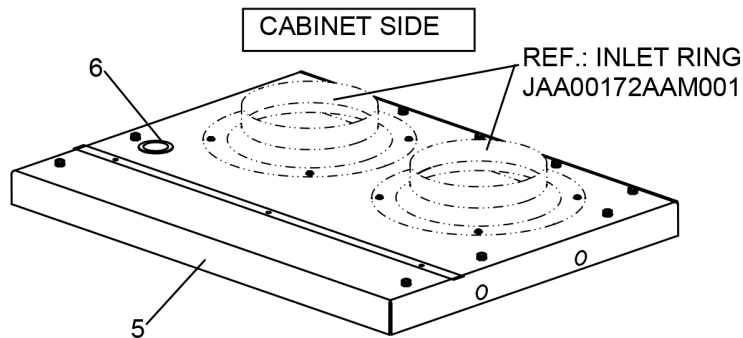
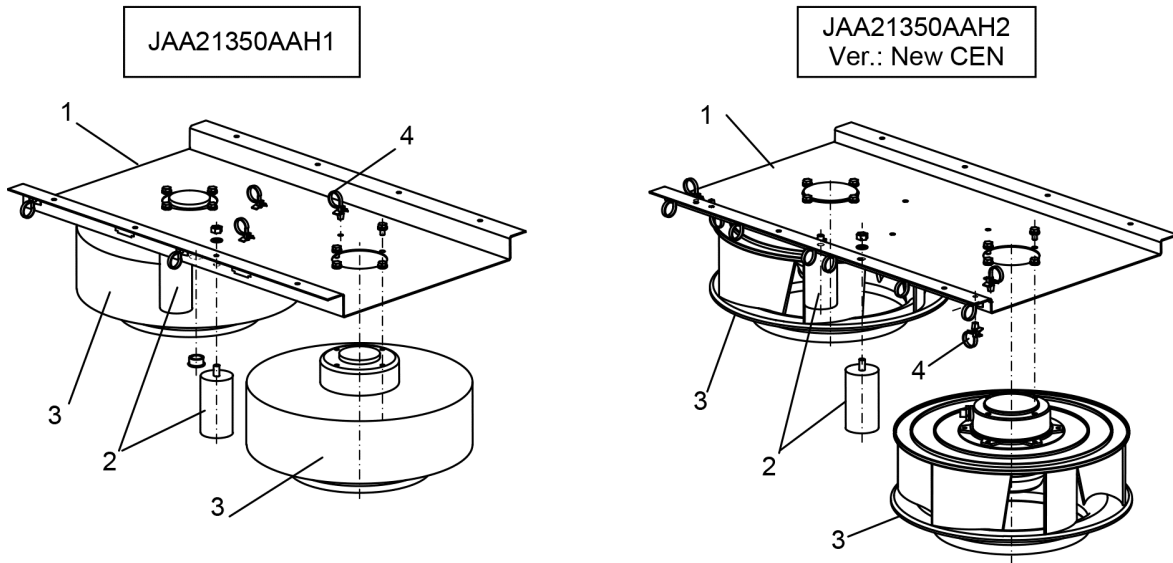
REF. NO.	J_A25402AAM PART or ML	DESCRIPTION	J_A25402AAM USE for
1	ABA26800VA1 ACA26800VA1 ADA26800VA1	PROCESSOR BOARD Note	
2	Page 16	LOW VOLTAGE INTERFACE BOARD	
3	JAA00174CCS004	FLAT CABLE (L=100mm)	
4	JAA00174CCS003	FLAT CABLE (L=1500mm)	
5	JAA00174CCV001	FLAT CABLE (L=600mm)	
6	JAA00174CCS005	FLAT CABLE (L=100mm)	
7	Page 17	FAN ASS'Y	
8	Page 18, 19	RELAY ASS'Y	
9	Page 20	CAPACITOR BANK	
10	Page 21, 22	POWER MODULE	
11	JAA21350AAG12 Page 23	EMI FILTER	
12	JAA00303AEH002 JAA00303AEH003	TERMINAL BLOCK [TBL5]	
13	JAA JDA21350AAL	BREAKER ASS'Y (OLD TYPE) P.28 — NOTE	JAA~JFA 19
	JEA21350AAL		JAA~JFA 20
	P. 28, 29		JAA~JFA 39
	JAA21350ABB	BREAKER ASS'Y (NEW TYPE)	JGA~JHA 19
	P. 34, 35		JGA~JHA 20
			JGA~JHA 39
14	JAA00303ADK002	TERMINAL BLOCK [TRM1]	
15	JAA21350AAM3 JBA21350AAM3 Page 36	MAIN CONTACTOR ASS'Y	
16	Page 39	BOTTOM PARTS	
17	JAA00174CCT001	FLAT CABLE (L=80mm)	
18	Page 40	BRAKE POWER MODULE ASS'Y	
19	JAA00303AEG003	TERMINAL BLOCK [TBL1]	
20	JAA00303ADK004	TERMINAL BLOCK [TRM2]	
21	JAA00424AAW001	PILOT LAMP [PL1, 2]	

NOTE: When PROB is not available (No longer in Production) , please perform an order of the next parts. JAA26807CHC128, ~~JBAJCA26807CBL1~~, JAA174KKD1, JAA174KKD21, JAA174KKD31, JAA174KKD33, JAA174KKD36, JAA174KWT2, JAA00174CCV002, JAA438BEX2, JAA285CDD1... (By for each 1) JAA00339AEJ003 (15) , PSM03X008-T (2) , PSM04X012-RL (4)



ACA26800RN1
 ACA26800RN2
 ADA26800RN2

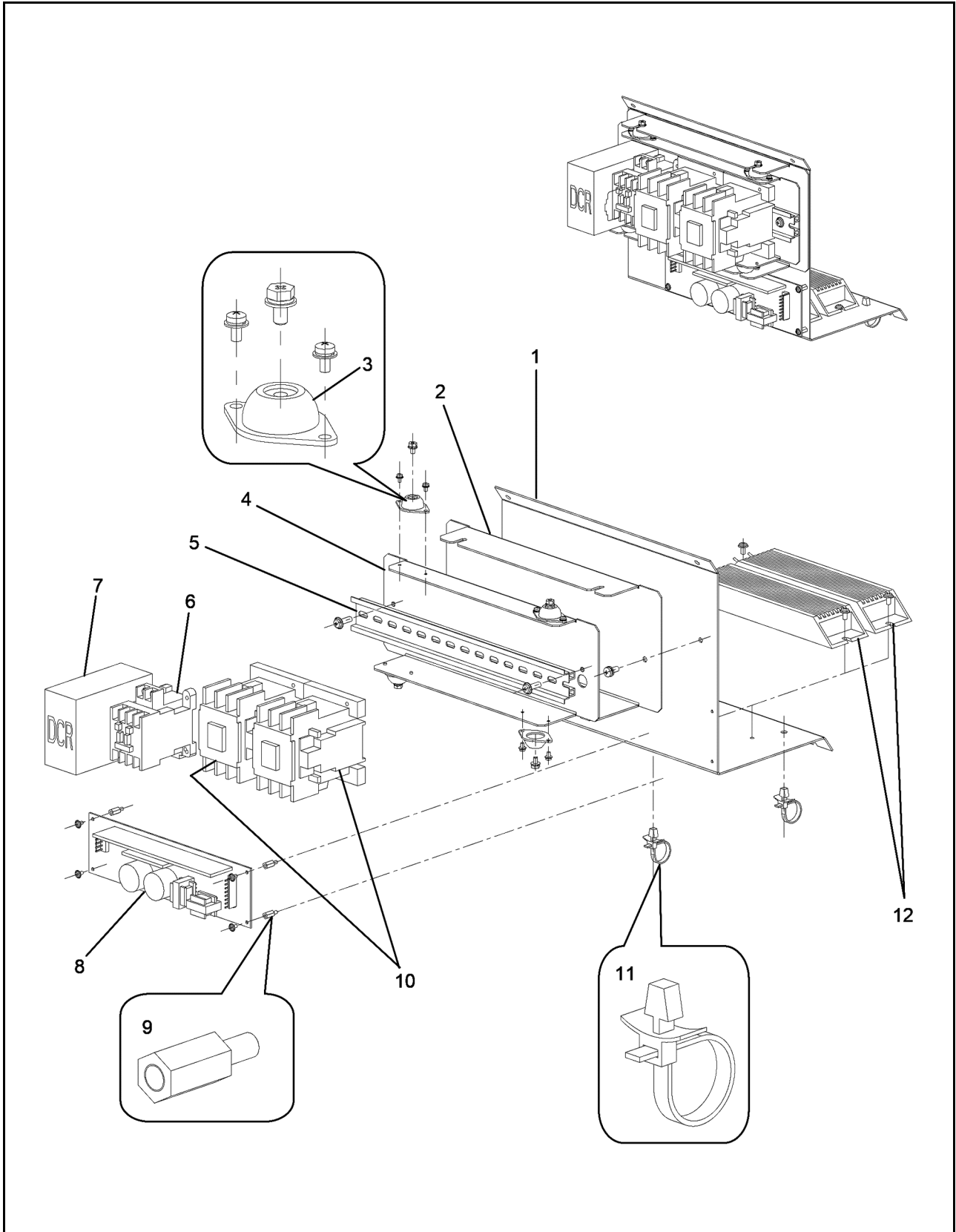
REF. NO.	PART or ML	DESCRIPTION	MAKER
1	JO613DM4 JO613DM11	RELAY : HC2-H-AC100V-F (RY-UP, DWN, MAN, BS1, BS2, MOC, BP)	PANASONIC
2	JO613DD5 JO613DD15	RELAY : HC4-H-AC100V (RY-C)	



FAN ASS'Y					
JAA21350AAH1		JAA21350AAH2			
REF. NO.	PART or ML		DESCRIPTION	SYMBLE	
1	JAA316GEW1	JAA316YCW1	BRACKET		
2	JAA00226AFR001		CAPACITOR	FC1, 2	
3	JAA00301AAJ001	JAA00301AAJ002	FAN	FAN1, 2	
4	JAA00339AAB002		CLIP		
CABINET SIDE					REMARKS
5	JAA00438AZS001	JAA438CJZ1	PANEL	GRAY	
	JAA00438AZS002	JAA438CJZ2		UT BLUE	
	JAA00438AZS003	JAA438CJZ3		CARI BLUE	
6	JAA00321AAA008		SNAP BUSHING		

RELAY ASSEMBLY

09-JHA25402AAM



09-JHA25402AAM

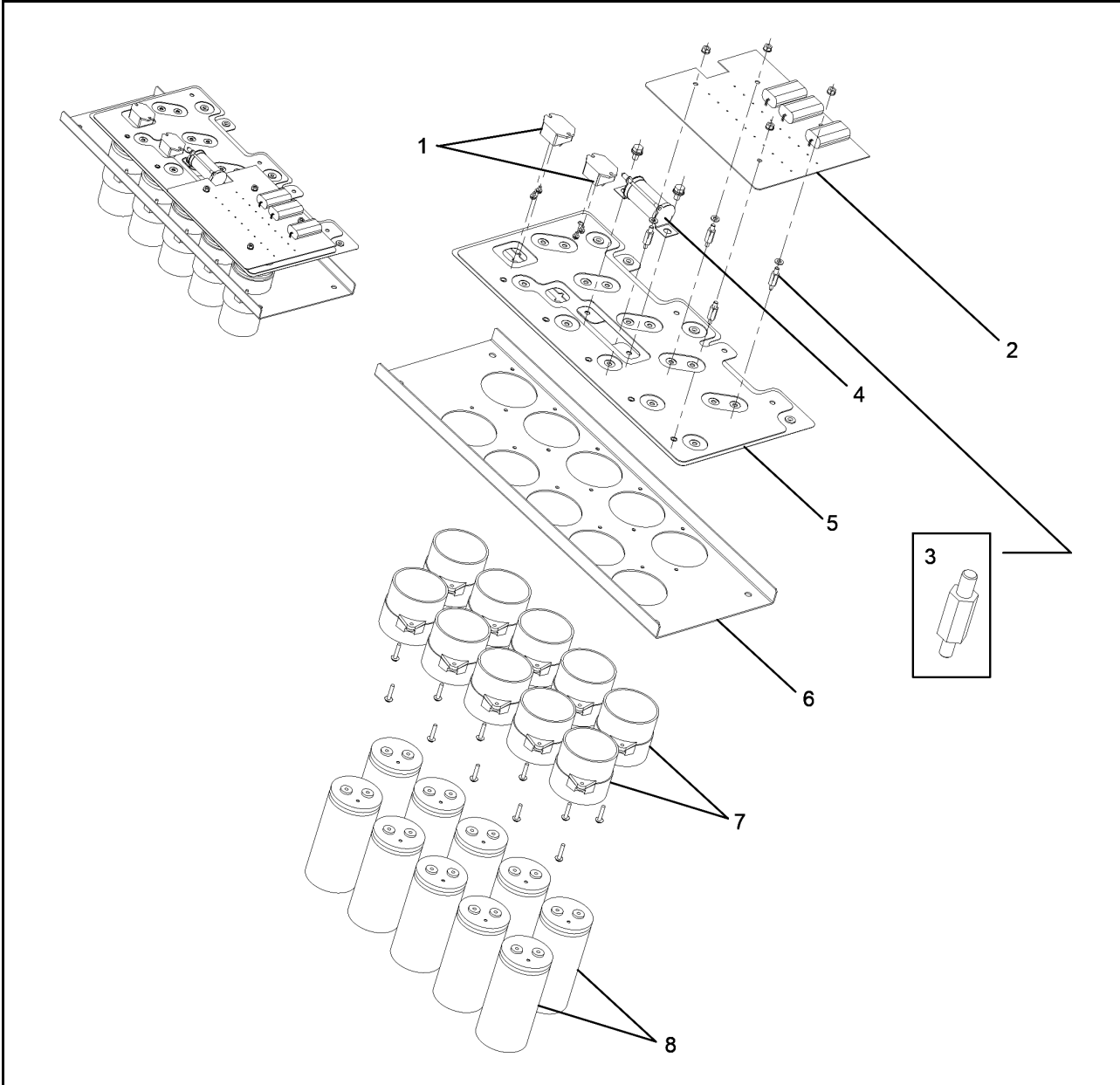
RELAY ASSEMBLY

~~JAA21350AAJ1~~
~~JBA21350AAJ1~~
~~JCA21350AAJ1~~

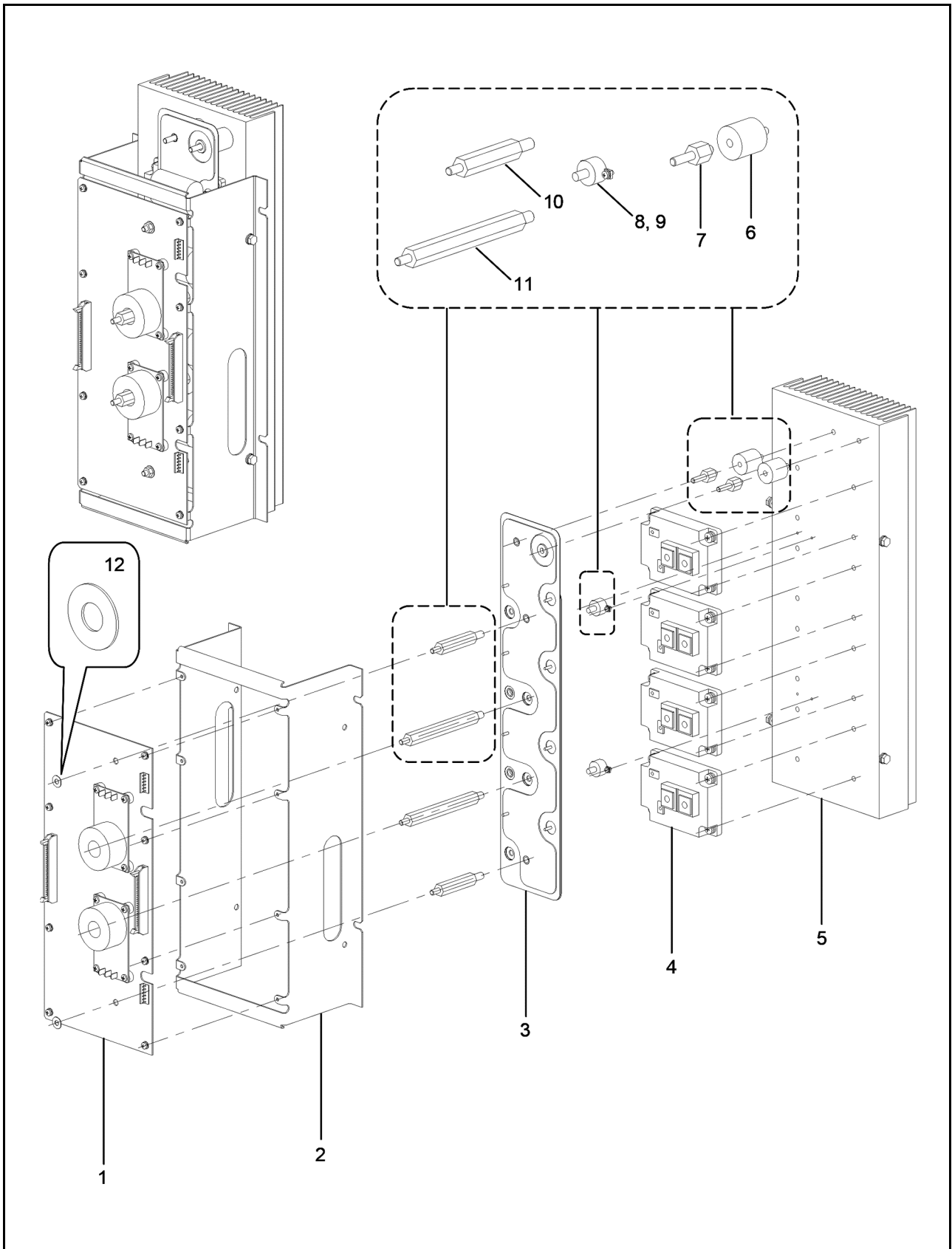
REF. NO.	PART or ML	DESCRIPTION	SYMBLE	QTY.
1	JAA433AHT1	PANEL		1
2	JAA438BZZ1	PANEL		1
3	JAA310APG1	BLOCK		4
4	JAA438BZY1	PANEL		1
5	JO299JA3	BAR (L=293mm)		1
6	JAA00613ABP002	RELAY, AC100V	FAR	1
7	JAA00613ABC019	RELAY, DC24V	DCR	1
8	JAA00621ACD004 JAA00621ACD002	POWER SUPPLY, 24V	PSR1	1
9	JAA00462AAH001	DISTANCE PIECE (L=10mm)		4
10	JO613DS74 JAA613AFM22	RELAY, AC100V	BPX1, 2	2
11	JAA00339AAB002	CLIP		2
12	JAA00232ADX002	RESISTOR, 200W 200Ω	DR1, 2	2

CAPACITOR BANK

09-JHA25402AAM



REF. NO.	PART or ML	DESCRIPTION	QTY.
1	JAA00612ACM001	DIODE	2
2	JAA26807BEP001	DC INTERFACE BOARD	1
3	JAA00354AAH004	STANDOFF	4
4	JAA00375AAB044	FUSE 1000FH-175S	1
5	JAA00252ACF001 JBA00252ACF001	BUS BAR	1
6	JAA00382AFE001	CAPACITOR CLAMP	1
7	JAA00180ACT001	PLASTIC HOLDER	10
8	JAA00226AEM001	CAPACITOR, 450V 6800 μ F	10

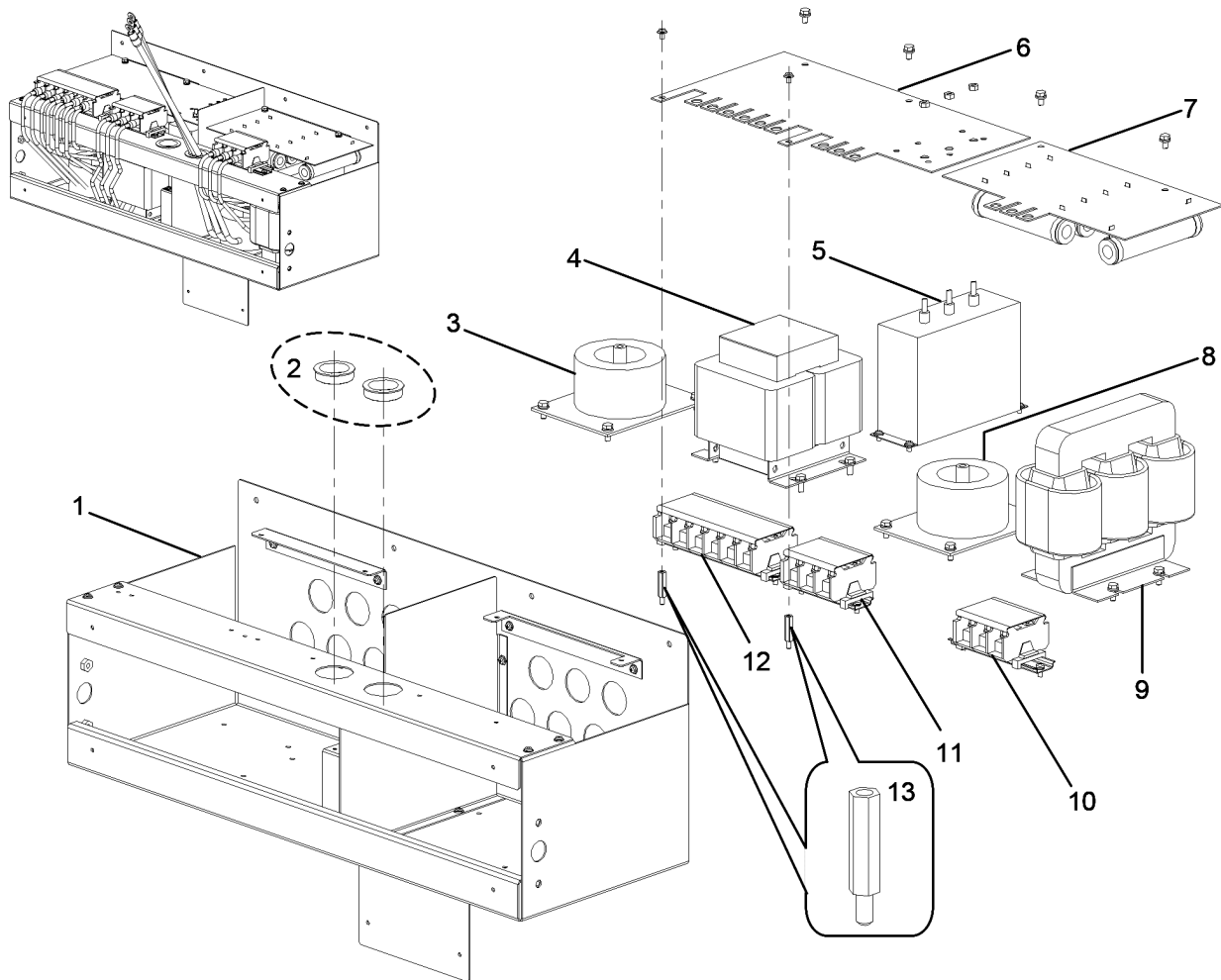


POWER MODULE

09-JHA25402AAM

JBA21350AAA004
JCA21350AAA004

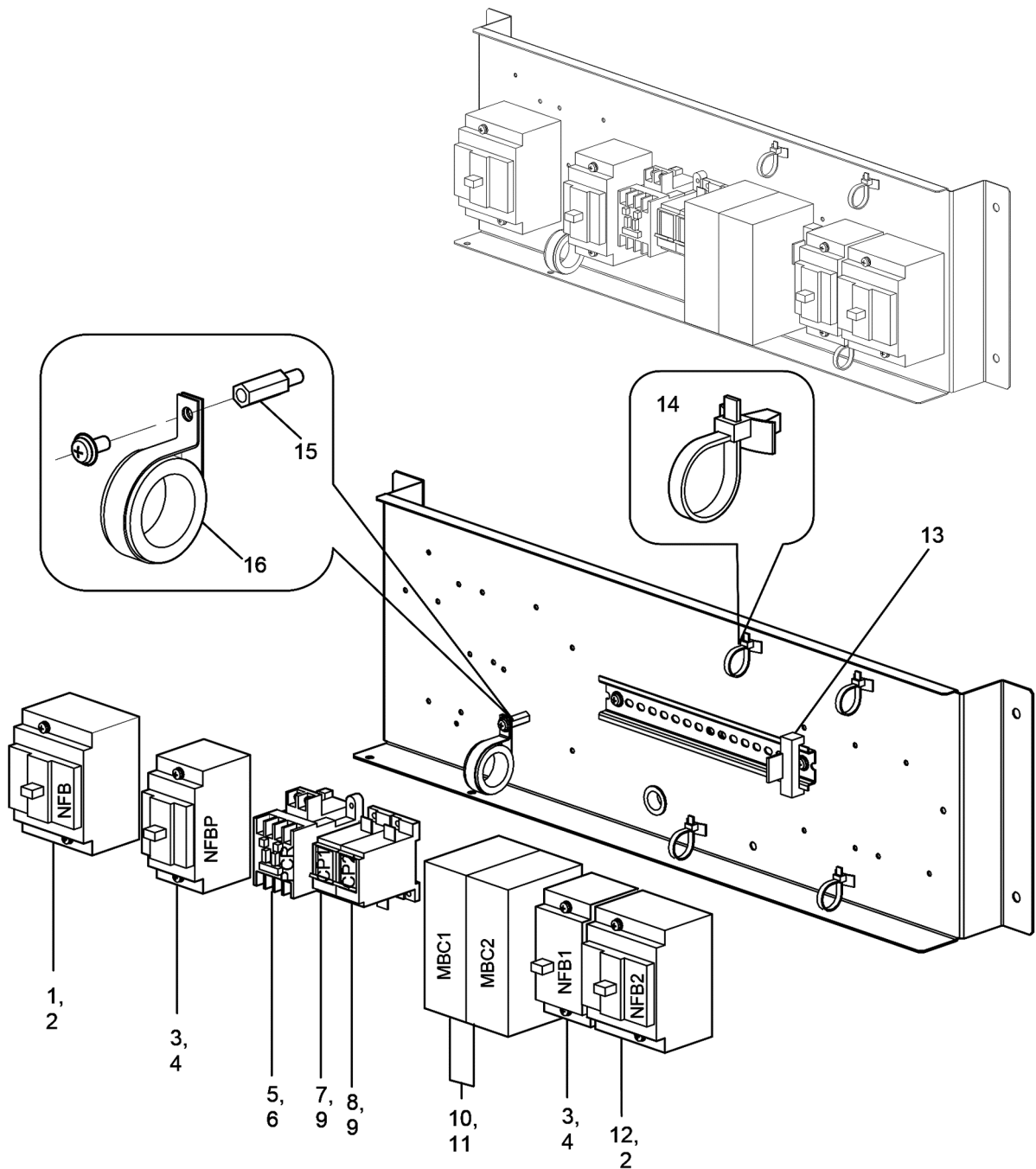
REF. NO.	PART or ML	DESCRIPTION	SYMBLE	QTY.
1	JBA26807BEM003	HIGH VOLTAGE INTERFACE BOARD	HVIB	1
2	JAA00285AFV001	FRAME		1
3	JAA00252ACE003	BUS BAR ASSEMBRY		1
4	JAA601ADG1	IGBT MODULE		4
5	JAA00600ABR003	HEAT SINK		1
6	JO462CM1	INSULATOR		2
7	JAA00354AAH015	STANDOFF		2
8	JO177CM3	THERMO SWITCH		2
9	PSM03X006-RL	M3X6 PAN HEAD SCREW, STEEL W / RD WASHER & SPRING L.W		4
10	JAA00354AAH016	STANDOFF		2
11	JAA00354AAH009	STANDOFF		2
12	130R3	M6 WASHER, BELLEVILLE LOCK		2



REF. NO.	JAA21350AAG		DESCRIPTION
	11	12	
1	PART or ML		BOX ASS'Y
2	JAA00321AAA008		SNAP BUSHING
3	JAA234ACV1		COIL, L1, 0.22mH, 95A
4	JAA00234ABY003	JAA00234ABY004	INDUCTOR, L3, 6mH, 95A
5	JAA00226AHJ001		CAPACITOR, FIXED, 10 μ F, 500VAC
6	JAA26807BNX1		EMIB-A
7	JAA26807BJT001		EMIB-B
8	JAA234ACV2		COIL, L4, 0.22mH, 150A
9	JAA00234ABD003	JAA00234ABD013	INDUCTOR, L5, 0.1mH, 150A
10	JAA00303ACW001		TERMINAL (3P)
11	JAA00303ACW003		TERMINAL (3P)
12	JAA00303ACW004		TERMINAL (6P)
13	JAA354AAX105		DISTANCE PIECE

BREAKER ASSEMBLY OLD TYPE (JPA/APA)

09-JHA25402AAM



- Note) 1. Please contact to OSCJ, as for replacing the breaker, for the reason of part has been under process for replacement.**
- 2. Drilling work is needed to the back panel for fixing, when replacing from old part to new one.**

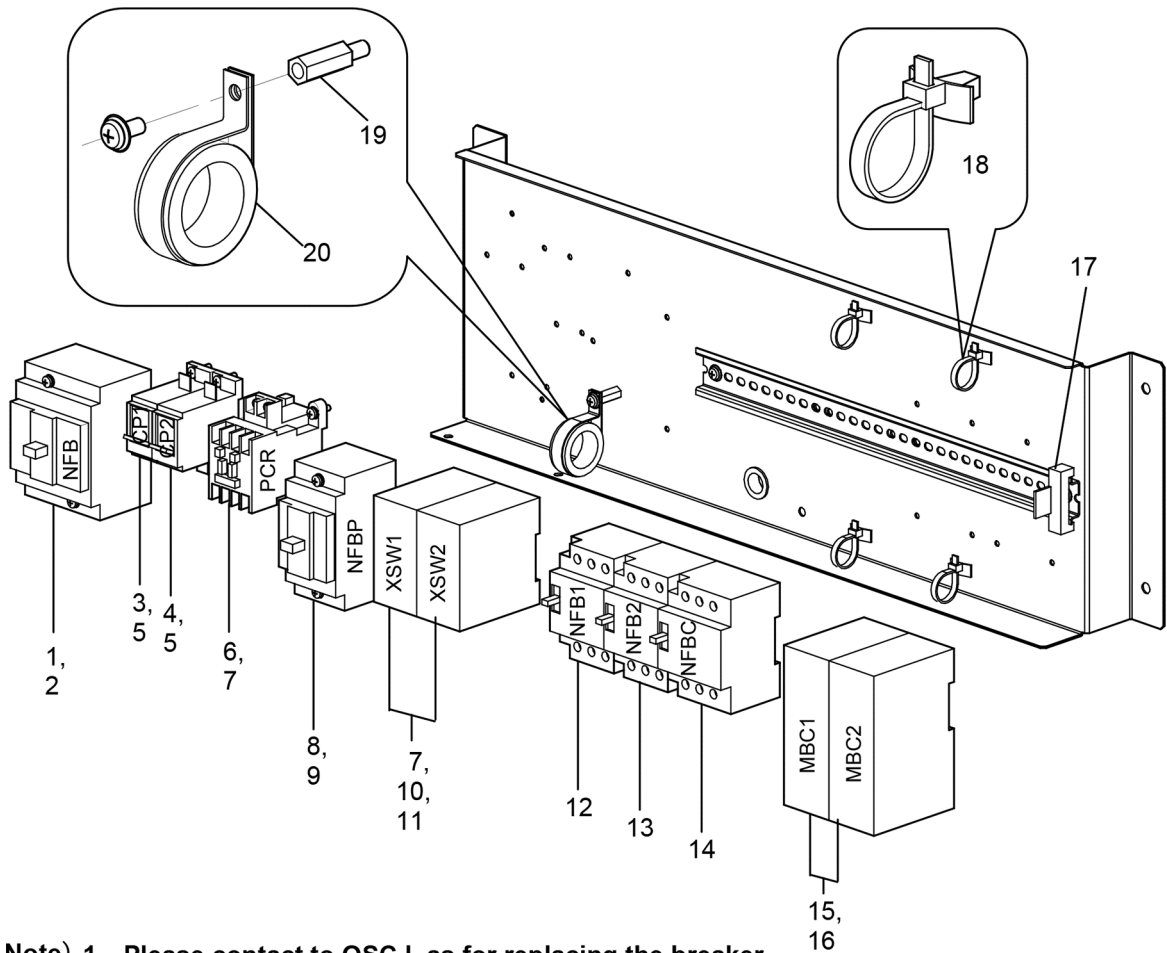
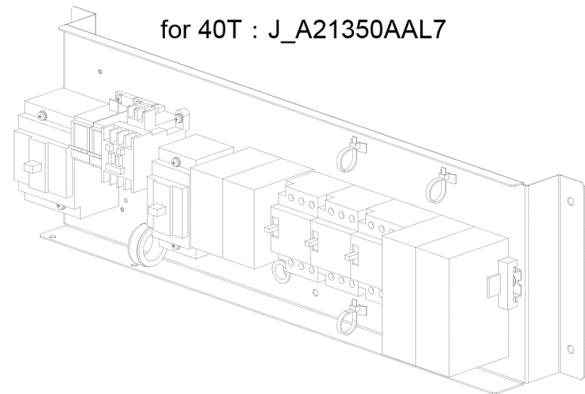
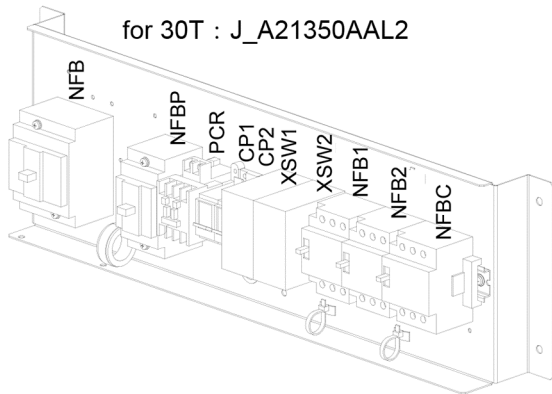
09-JHA25402AAM

BREAKER ASSEMBLY
OLD TYPE (JPA/APA)

REF. NO.	JAA~JDA JEA21350AAL	DESCRIPTION	SYMBOL	JAA~JDA JEA21350AAL_
	PART or ML			USE for
1	JAA21398AAM004 JAA21398ABT4	BREAKER (15A)	NFB	1, 4, 6, 9
2	JAA00384ACL004 JAA384BEB1	TERMINAL COVER for NFB, NFB2		
3	JAA21398AAN004 JAA21398ABS1	BREAKER (3A)	NFBP NFB1	
4	JAA00384ACK004 JAA384BEA1	TERMINAL COVER for NFBP & NFB1		
5	JAA00613ABP002	RELAY	PCR	
6	JAA384AGV1	GUARD for PCR		
7	JAA00630AAB126	CIRCUIT PROTECTOR (5A AC)	CP1	
8	JAA00630AAB127	CIRCUIT PROTECTOR (7A AC)	CP2	
9	JAA00384ACN001	TERMINAL COVER for CP1, CP2		
10	JAA00613ADB001	THERMAL RELAY	MBC1 MBC2	6, 9
11	JAA346AZX1	COVER for MBC1, MBC2		
12	JAA21398AAM004 JAA21398ABT1	BREAKER (3A)	NFB2	1, 4, 6, 9
13	JAA00477ABS002	STOPPER		
14	JAA00339AAB002	CLIP		
15	JAA354AAX103	DISTANCE PIECE		
16	JAA00657AAF007	FERRITE CORE		

BREAKER ASSEMBLY OLD TYPE (CEN)

09-JHA25402AAM



- Note) 1. Please contact to OSCJ, as for replacing the breaker, for the reason of part has been under process for replacement.
2. Drilling work is needed to the back panel for fixing, when replacing from old part to new one.

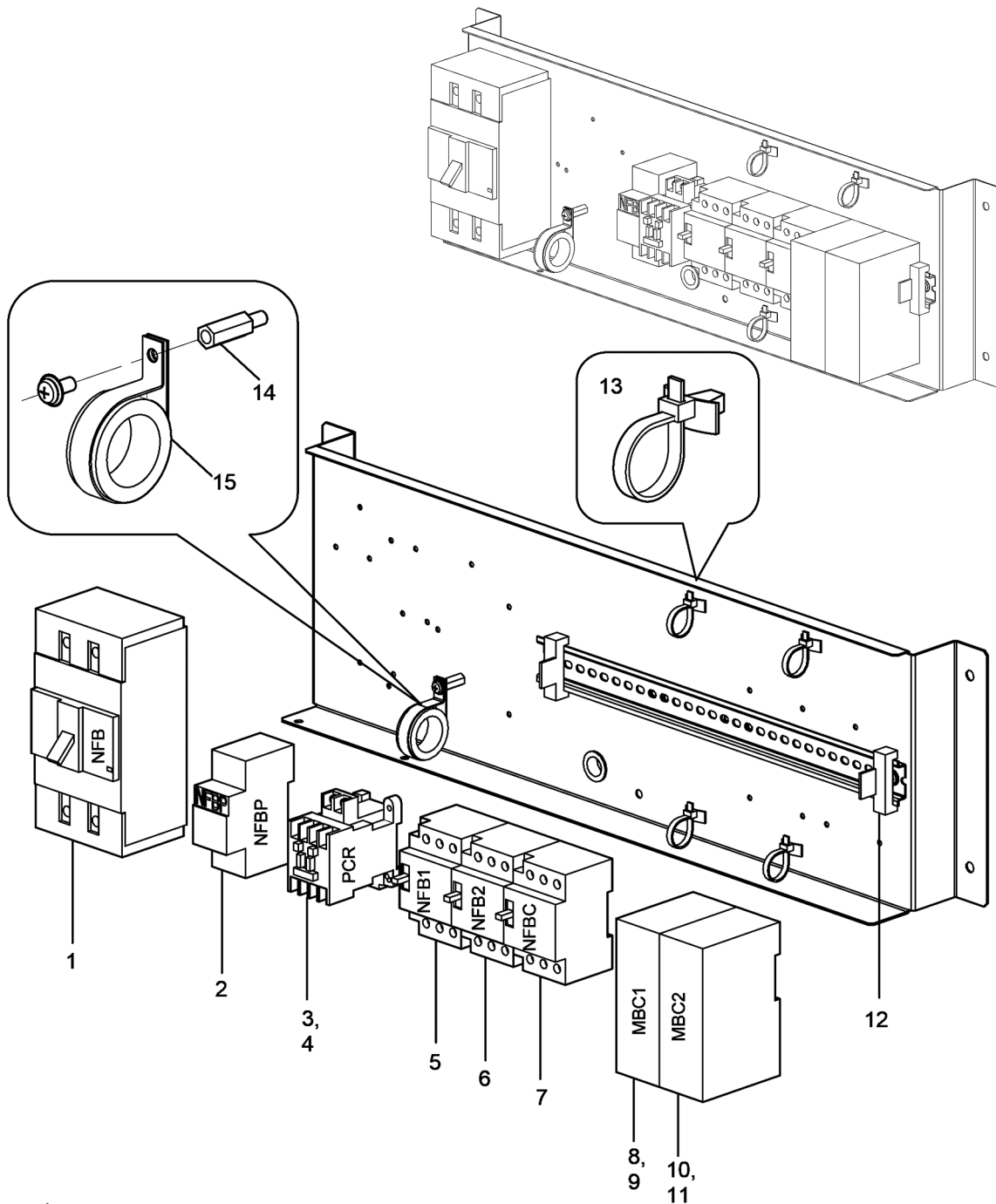
09-JHA25402AAM

BREAKER ASSEMBLY
OLD TYPE (CEN)

REF. NO.	JAA~JDA JEA21350AAL	DESCRIPTION	SYMB OL	JAA~JDA JEA21350AAL_
	PART or ML			USE for
1	JAA21398AAM006 JAA21398ABT6	BREAKER (30A)	NFB	2, 7
2	JAA00384ACL004 JAA384BEB1	TERMINAL COVER for NFB		
3	JAA00630AAB126	CIRCUIT PROTECTOR (5A AC)	CP1	
4	JAA00630AAB127	CIRCUIT PROTECTOR (7A AC)	CP2	
5	JAA00384ACN001	TERMINAL COVER for CP1, CP2		
6	JAA00613ABP002	RELAY	PCR	
7	JAA384AGV1	GUARD for PCR, XSW1, XSW2		
8	JAA21398AAN004 JAA21398ABS1	BREAKER (3A)	NFBP	
9	JAA00384ACK004 JAA384BEA1	TERMINAL COVER for NFBP		
10	JAA00613AAB105	RELAY	XSW1 XSW2	
11	JAA384AGV2	GUARD for XSW1, XSW2		
12	JAA21398AAY006	BREAKER (1.8A)	NFB1	
13	JAA21398AAY006	BREAKER (2.1A)	NFB2	
14	JAA21398ABE12	BREAKER (20A)	NFBC	
15	JAA00613ADB001	THERMAL RELAY	MBC1 MBC2	7
16	JAA346AZX1	COVER for MBC1, MBC2		2, 7
17	JAA00477ABS002	STOPPER		
18	JAA00339AAB002	CLIP		
19	JAA354AAX103	DISTANCE PIECE		
20	JAA00657AAF007	FERRITE CORE		

BREAKER ASSEMBLY OLD TYPE (CSA)

09-JHA25402AAM



- Note) 1. Please contact to OSCJ, as for replacing the breaker, for the reason of part has been under process for replacement.
2. Drilling work is needed to the back panel for fixing, when replacing from old part to new one.

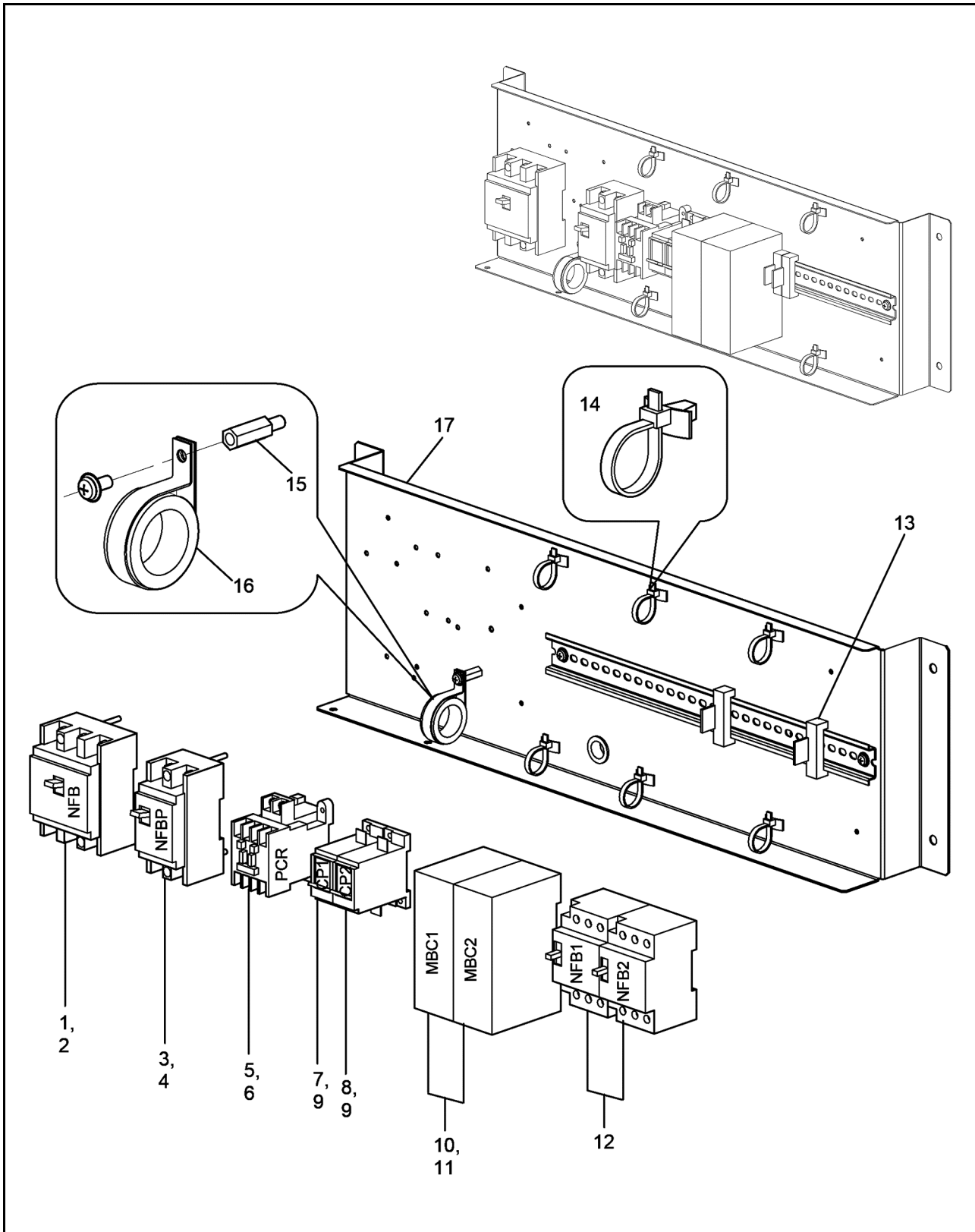
09-JHA25402AAM

BREAKER ASSEMBLY
OLD TYPE (CSA)

JAA~JDA JEA21350AAL		JAA~JDA JEA21350AAL_		
REF. NO.	PART or ML	DESCRIPTION	SYMBOL	USE for
1	AAA637K1 JAA637AAJ1	BREAKER (15A)	NFB	3, 5, 8
2	JAA21398AAZ007	BREAKER (2.5A)	NFBP	
3	JAA00613ABP002	RELAY	PCR	
4	JAA384AGV1	GUARD for PCR		
5	JAA21398AAY006	BREAKER (1.8A)	NFB1	
6	JAA21398AAY006	BREAKER (2.1A)	NFB2	
7	JAA21398AAY007	BREAKER (3.75A)	NFBC	
8	JAA00613ADB001	THERMAL RELAY	MBC1	5, 8
9	JAA346AZX1	COVER for MBC1		8
10	JAA00613ADB001	THERMAL RELAY	MBC2	
11	JAA346AZX1	COVER for MBC2		3, 5, 8
12	JAA00477ABS002	STOPPER		
13	JAA00339AAB002	CLIP		
14	JAA354AAX103	DISTANCE PIECE		
15	JAA00657AAF007	FERRITE CORE		

BREAKER ASSEMBLY NEW TYPE (JPA/APA)

09-JHA25402AAM



09-JHA25402AAM

BREAKER ASSEMBLY
NEW TYPE (JPA/APA)

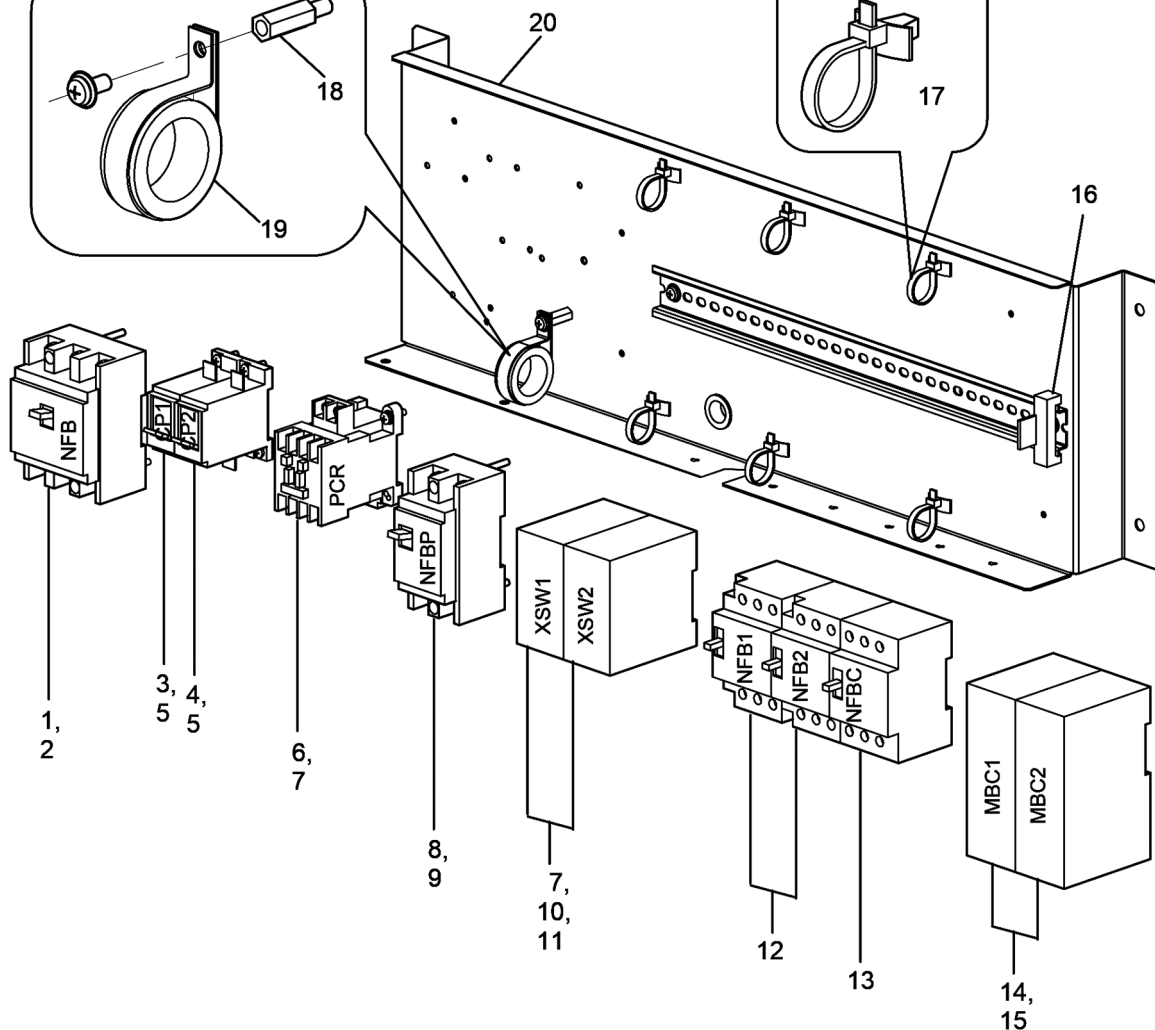
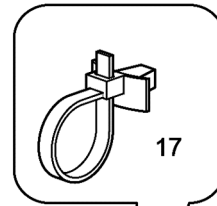
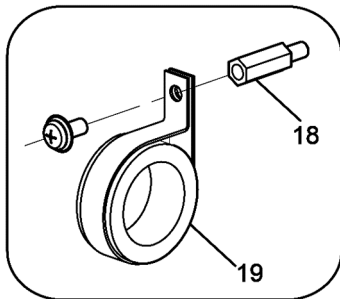
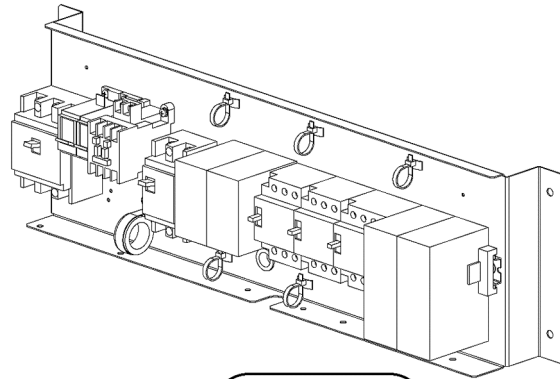
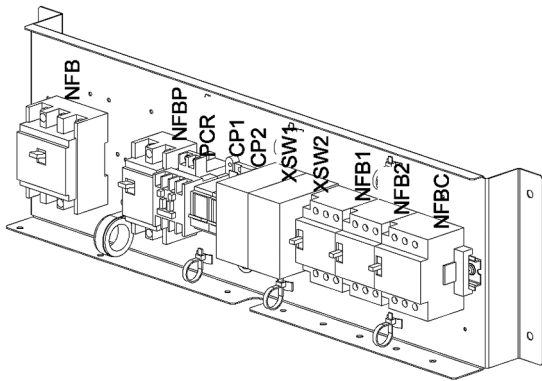
JAA21350ABB				JAA21350ABB_
REF. NO.	PART or ML	DESCRIPTION	SYMBOL	USE for
1	JAA21398ABP10	BREAKER (15A)	NFB	1, 4, 6, 9
2	BCW30308123 JAA384BJW2	TERMINAL COVER for NFB		
3	JAA21398ABP1	BREAKER (3A)	NFBP	
4	BCW20308123 JAA384BJW1	TERMINAL COVER for NFBP		
5	JAA00613ABP002	RELAY	PCR	
6	JAA384AGV1	GUARD for PCR		
7	JAA00630AAB126	CIRCUIT PROTECTOR (5A AC)	CP1	
8	JAA00630AAB127	CIRCUIT PROTECTOR (7A AC)	CP2	
9	JAA00384ACN001	TERMINAL COVER for CP1, CP2		
10	JAA00613ADB001	THERMAL RELAY	MBC1 MBC2	6, 9
11	JAA346AZX1	COVER for MBC1, MBC2		
12	JAA21398AAY008	BREAKER	NFB1 NFB2	1, 4, 6, 9
13	JAA00477ABS002	STOPPER		
14	JAA00339AAB002	CLIP		
15	JAA354AAX103	DISTANCE PIECE		
16	JAA00657AAF007	FERRITE CORE		
17	JAA433ATG1	PANEL		1, 4, 6, 9

BREAKER ASSEMBLY NEW TYPE (CEN)

09-JHA25402AAM

for 30T : JAA21350ABB2

for 40T : JAA21350ABB7



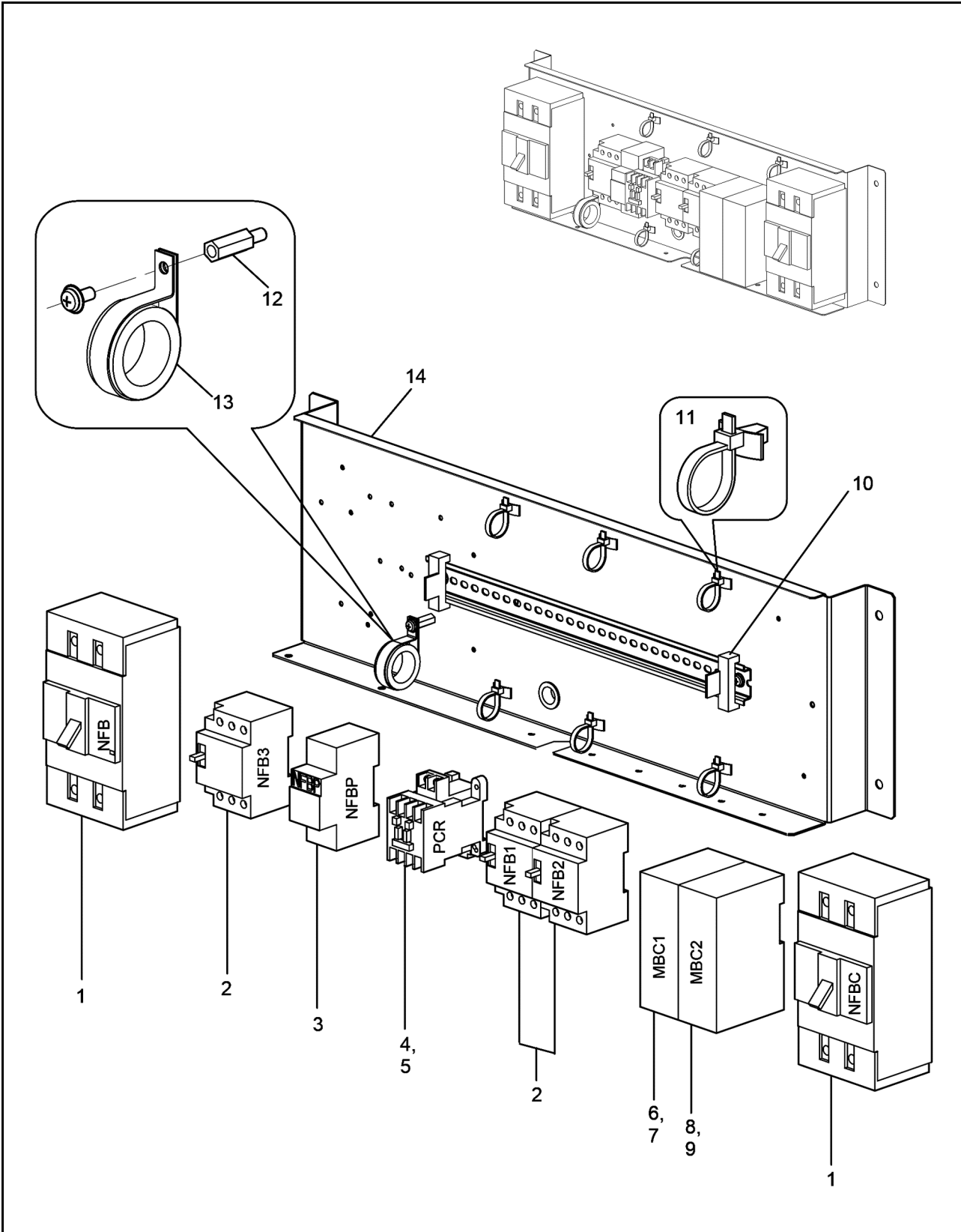
09-JHA25402AAM

BREAKER ASSEMBLY
NEW TYPE (CEN)

JAA21350ABB				JAA21350ABB_
REF. NO.	PART or ML	DESCRIPTION	SYMBOL	USE for
1	JAA21398ABP12	BREAKER (30A)	NFB	2, 7
2	BCW30308123 JAA384BJW2	TERMINAL COVER for NFB		
3	JAA00630AAB126	CIRCUIT PROTECTOR (5A AC)	CP1	
4	JAA00630AAB127	CIRCUIT PROTECTOR (7A AC)	CP2	
5	JAA00384ACN001	TERMINAL COVER for CP1, CP2		
6	JAA00613ABP002	RELAY	PCR	
7	JAA384AGV1	GUARD for PCR, XSW1, XSW2		
8	JAA21398ABP1	BREAKER (3A)	NFBP	
9	BCW20308123 JAA384BJW1	TERMINAL COVER for NFBP		
10	JAA00613AAB105	RELAY	XSW1 XSW2	
11	JAA384AGV2	GUARD for XSW1, XSW2		
12	JAA21398AAY008	BREAKER	NFB1 NFB2	
13	JAA21398ABE12	BREAKER (20A)	NFBC	
14	JAA00613ADB001	THERMAL RELAY	MBC1 MBC2	7
15	JAA346AZX1	COVER for MBC1, MBC2		2, 7
16	JAA00477ABS002	STOPPER		
17	JAA00339AAB002	CLIP		
18	JAA354AAX103	DISTANCE PIECE		
19	JAA00657AAF007	FERRITE CORE		2, 7
20	JAA433ATG1 JAA433ATG2	PANEL		

BREAKER ASSEMBLY NEW TYPE (CSA)

09-JHA25402AAM



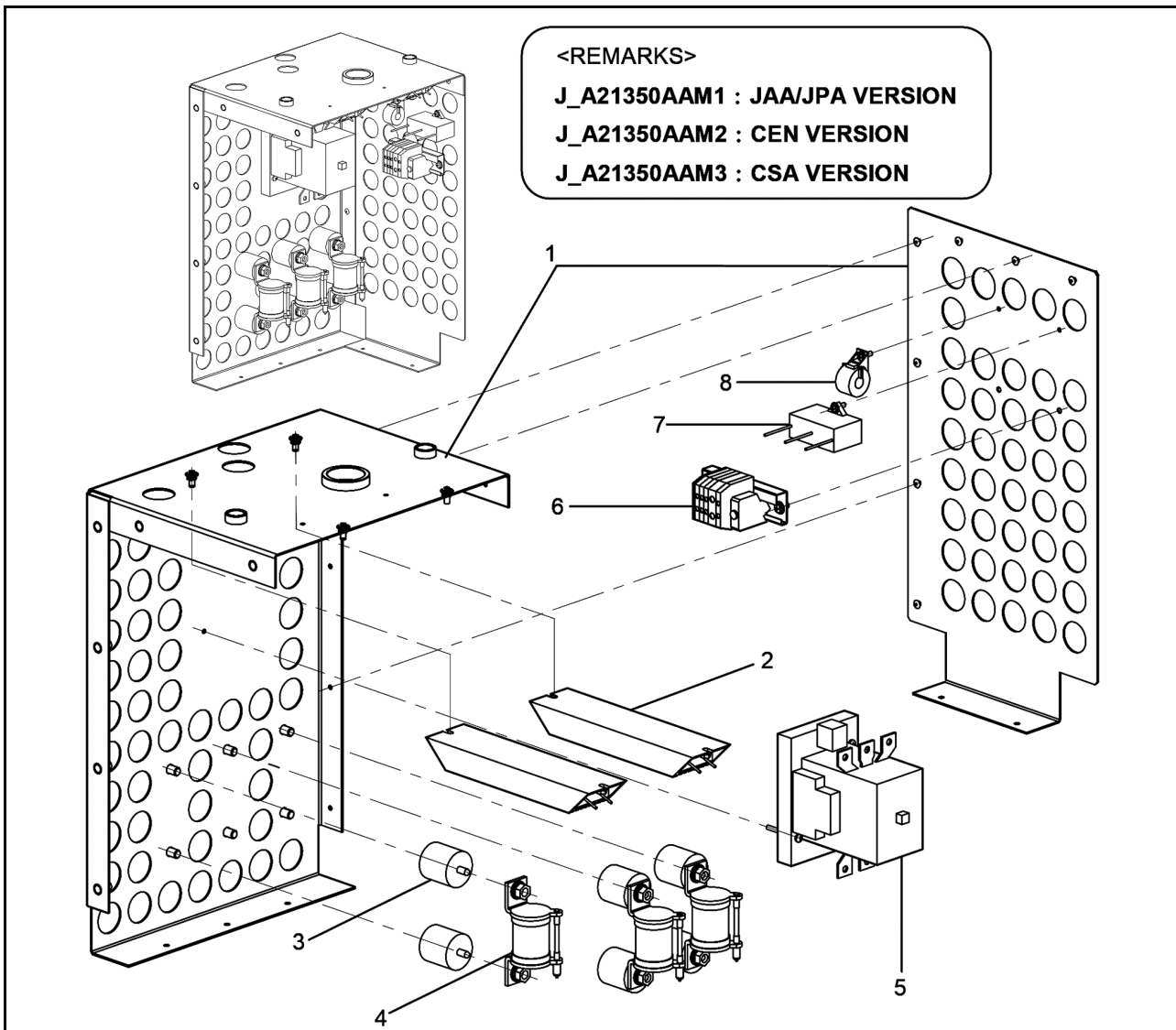
09-JHA25402AAM

BREAKER ASSEMBLY
NEW TYPE (CSA)

JAA21350ABB				JAA21350ABB_
REF. NO.	PART or ML	DESCRIPTION	SYMBOL	USE for
1	JAA637AAJ1	BREAKER (15A)	NFB NFBC	3, 5, 8
2	JAA21398AAY008	BREAKER	NFB1 NFB2 NFB3	
3	JAA21398AAZ007	BREAKER (2.5A)	NFBP	
4	JAA00613ABP002	RELAY	PCR	
5	JAA384AGV1	GUARD for PCR		
6	JAA00613ADB001	THERMAL RELAY	MBC1	5, 8
7	JAA346AZX1	COVER for MBC1		8
8	JAA00613ADB001	THERMAL RELAY	MBC2	
9	JAA346AZX1	COVER for MBC2		3, 5, 8
10	JAA00477ABS002	STOPPER		
11	JAA00339AAB002	CLIP		
12	JAA354AAX103	DISTANCE PIECE		
13	JAA00657AAF007	FERRITE CORE		3, 5, 8
14	JAA433ATG1 JAA433ATG2	PANEL		

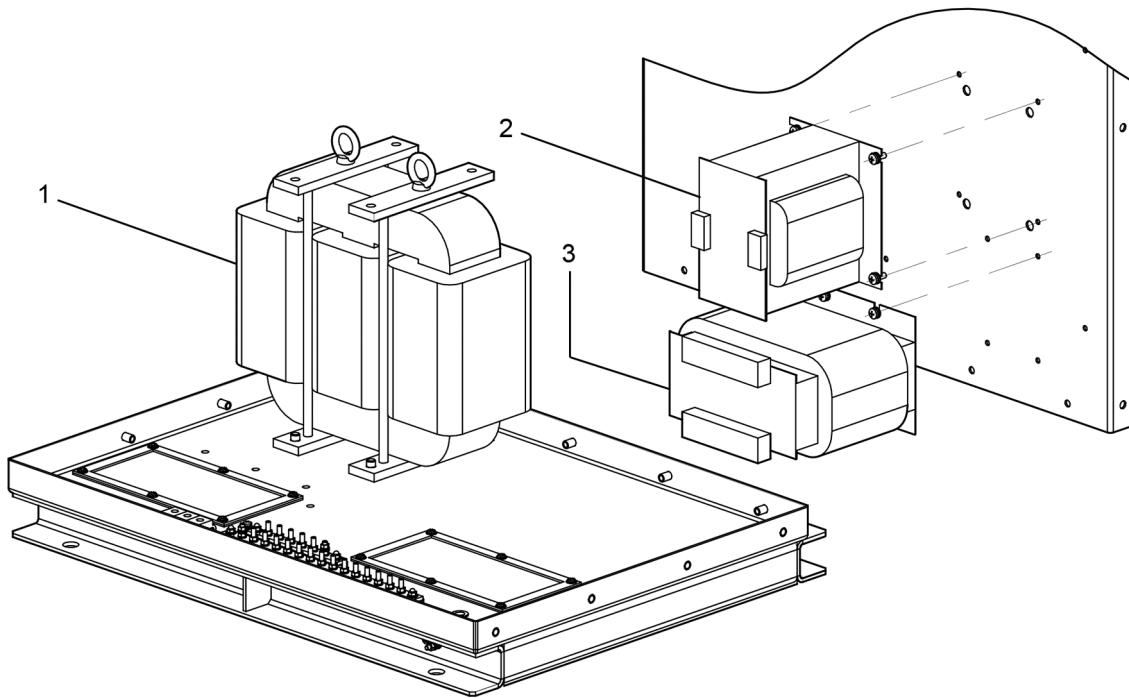
MAIN CONTACTOR ASSEMBLY

09-JHA25402AAM



<REMARKS>
J_A21350AAM1 : JAA/JPA VERSION
J_A21350AAM2 : CEN VERSION
J_A21350AAM3 : CSA VERSION

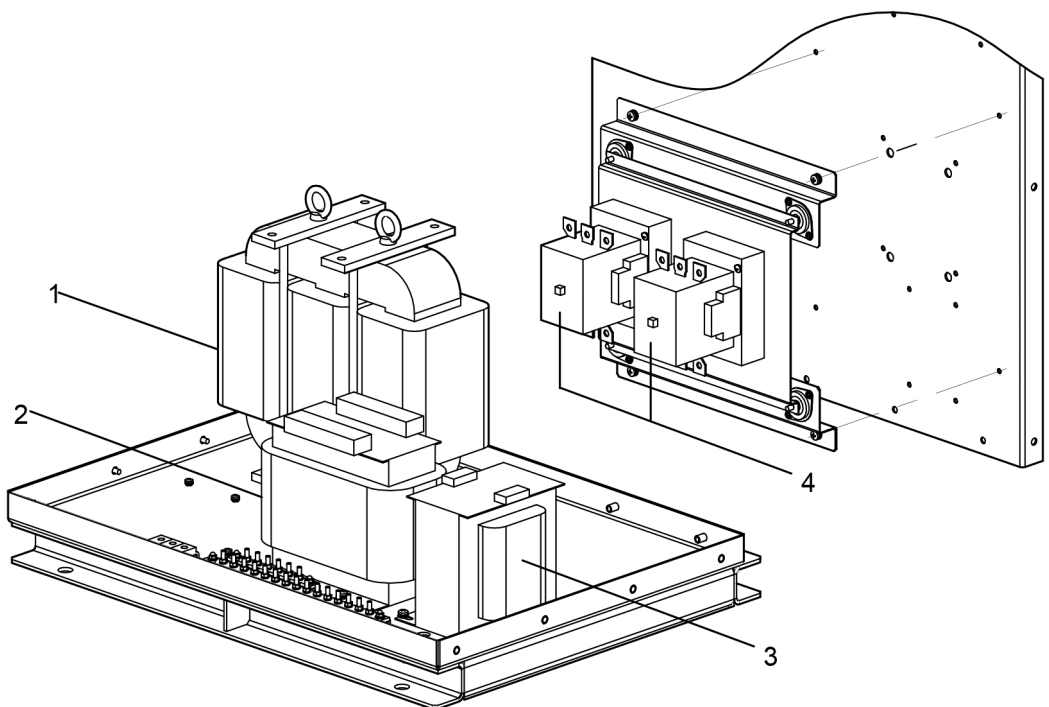
JAA21350AAM ~ JBA21350AAM					
REF. NO.	1	2	3	DESCRIPTION	SYMBOL
	PART or ML				
1	JAA438BEV1 ⇒ JBA438BEV1			PANEL ASS'Y	
2	JAA00232ADX001			RESISTOR	PR1, 2
3	JO462CM2			SPACER for F1, 2, 3 FUSE	
4	JO375P32			ONE TIME FUSE	F1, 2, 3
5	JAA613DS66 ⇒ JAA613AFM70			MAGNET SWITCH	MC
6	---	JAA00303AEA001	JAA00303AEA002	TERMINAL BLOCK	TBL4
7	---	JAA00226AGN001		METALLIZET POLYESTER CAPACITOR	
8	---	JAA00657AAG004		FERRITE CORE	



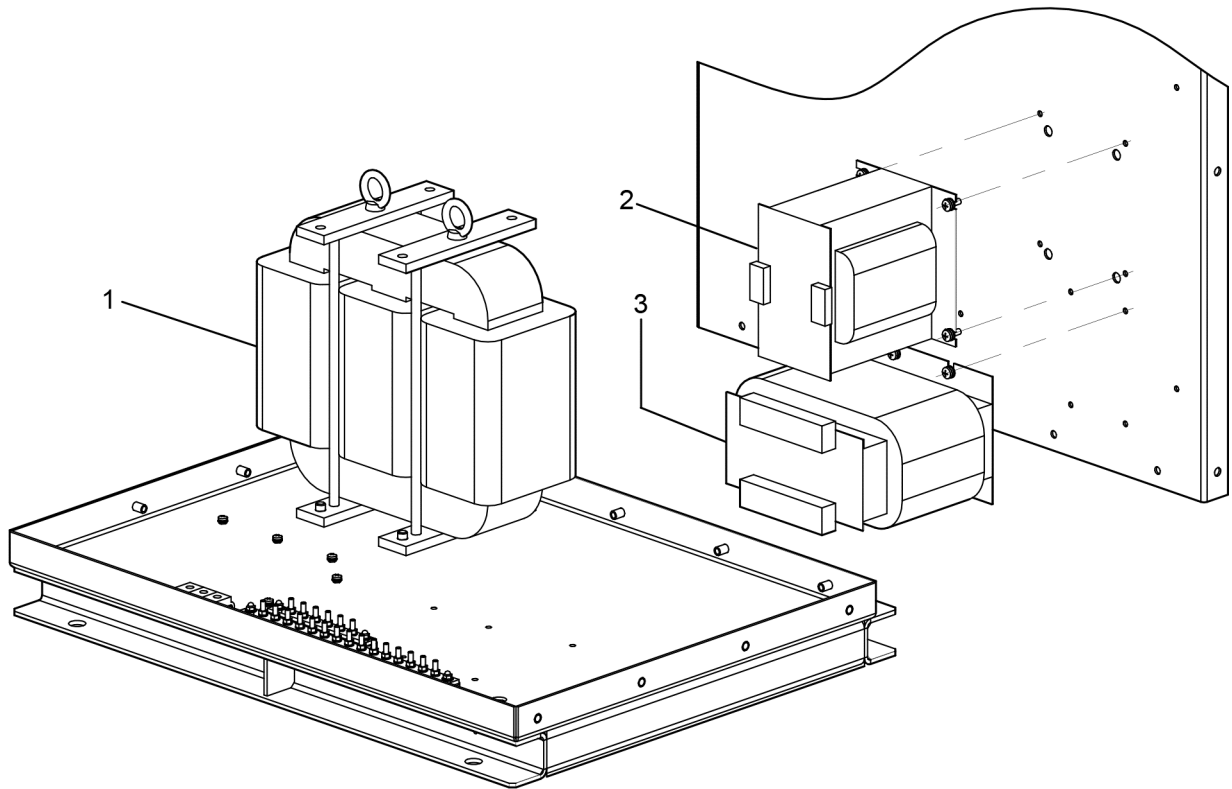
	W/O Vintage		JAA25402AAM_~ JFA25402AAM_
REF. NO.	PART or ML	DESCRIPTION	USE for
1	JAA00234AAV001	3 PHASE REACTOR (L2)	ALL APA/JPA VERSION
2	JAA00225ABM001	TRANSFORMER (346-380V) TRF1	1,4,7,10,21,24,27,30,101,104,107, 110,121,124,127,130,201, 204, 207,210,221,224,227,230,
	JAA00225ABM002	TRANSFORMER (400-440V) TRF1	2,5,8,11,22,25,28,31,102,105,108, 111,122,125,128,131,202,205, 208,,211,222,225,228,231
	JAA00225ABM003	TRANSFORMER (460-480V) TRF1	3,6,9,12,23,26,29,32,103,106,109, 112,123,126,129,132,203,206, 209,212,223,226,229,232
3	JAA00225ACZ001	3 PHASE TRANSFORMER (346-380V) TRF2	1,4,7,10,21,24,27,30,101,104,107, 110,121,124,127,130,201, 204, 207,210,221,224,227,230,
	JAA00225ACZ002	3 PHASE TRANSFORMER (400-440V) TRF2	2,5,8,11,22,25,28,31,102,105,108, 111,122,125,128,131,202,205, 208,,211,222,225,228,231
	JAA00225ACZ003	3 PHASE TRANSFORMER (460-480V) TRF2	3,6,9,12,23,26,29,32,103,106,109, 112,123,126,129,132,203,206, 209,212,223,226,229,232

BOTTOM (CEN)

09-JHA25402AAM



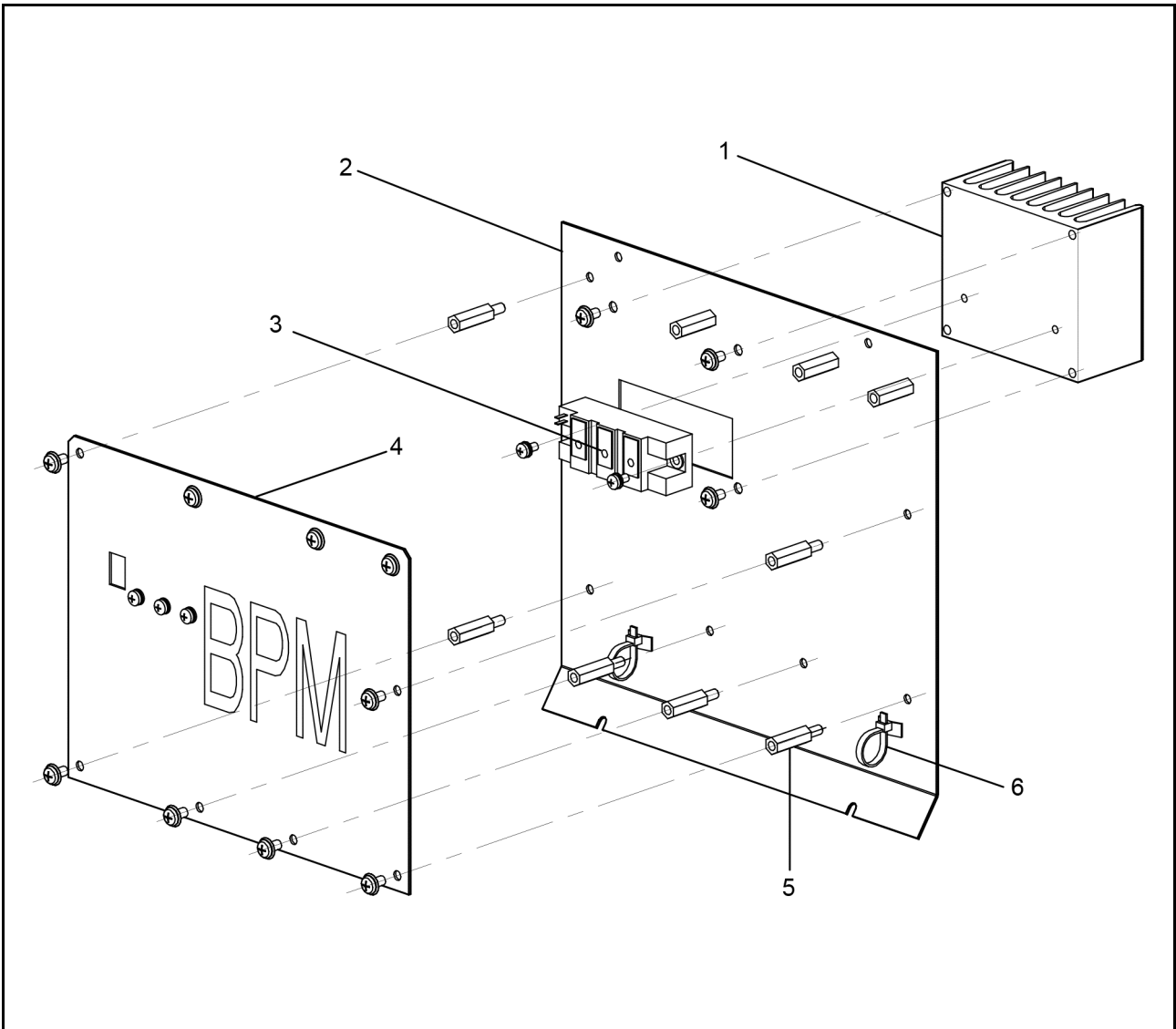
REF. NO.	W/O Vintage PART or ML	DESCRIPTION	JAA25402AAM_~JHA25402AAM_ USE for
1	JAA00234AAV001	3 PHASE REACTOR	ALL CEN VERSION
2	JAA00225ACZ001	3 PHASE TRANSFORMER (346-380V) TRF2	13,16,33,36,113,116,133,136, 213,216,233,236,313,316,501,504, 507,510,513,516,519,522,525,528
	JAA00225ACZ002	3 PHASE TRANSFORMER (400-440V) TRF2	14,17,34,37,114,117,134,137, 214,217,234,237,314,317,502,505 508,511,514,517,520,523,526,529
	JAA00225ACZ003	3 PHASE TRANSFORMER (460-480V) TRF2	15,18,35,38,115,118,135,138, 215,218,235,238,,315,318,503,506, 509,512,515,518,521,524,527,530
3	JAA00225ABM001	TRANSFORMER (346-380V) TRF1	13,16,33,36,113,116,133,136, 213,216,233,236,313,316,501,504, 507,510,513,516,519,522,525,528
	JAA00225ABM002	TRANSFORMER (400-440V) TRF1	14,17,34,37,114,117,134,137, 214,217,234,237,314,317,502,505 508,511,514,517,520,523,526,529
	JAA00225ABM003	TRANSFORMER (460-480V) TRF1	15,18,35,38,115,118,135,138, 215,218,235,238,,315,318,503,506, 509,512,515,518,521,524,527,530
4	JAA00613AEA002 (+JAA00605ABM001) JAA613AFM91	RELAY SW1, 2	ALL CEN VERSION *Drilling work is needed to the back panel for fixing, when replacing from old part to new one.



REF. NO.	W/O Vintage PART or ML	DESCRIPTION	JAA25402AAM_~ JHA25402AAM_ USE for
1	JAA00234AAV011	3 PHASE REACTOR	ALL CSA VERSION
2	JAA00225ABM003	TRANSFORMER (460-480V) TRF1	
3	JAA00225ACZ003	3 PHASE TRANSFORMER (460-480V) TRF2	
---	JAA00225ABP001	3 PHASE TRANSFORMER (480-440V) TRF3	

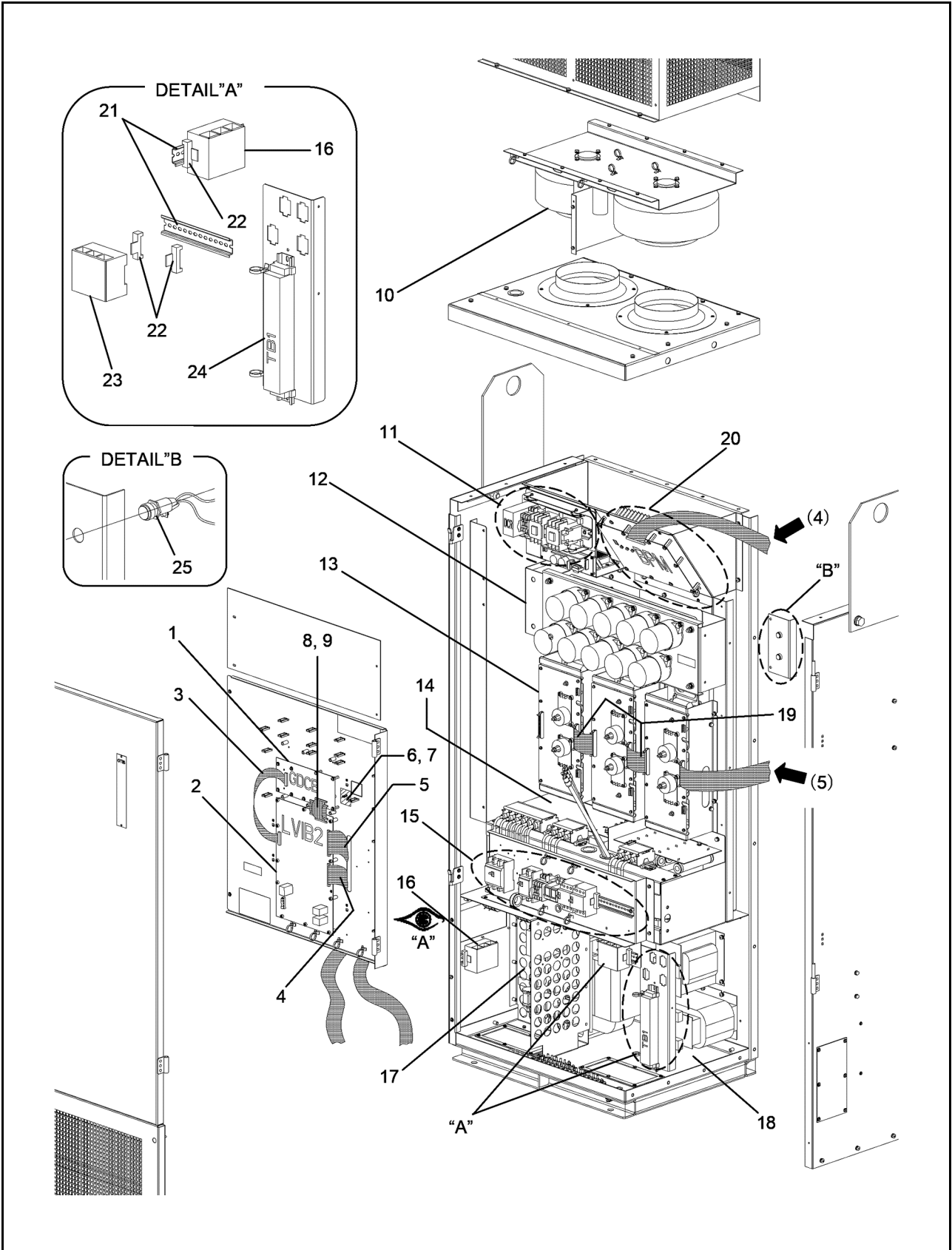
BRAKE POWER MODULE ASSEMBLY













09-JHA25402AAM

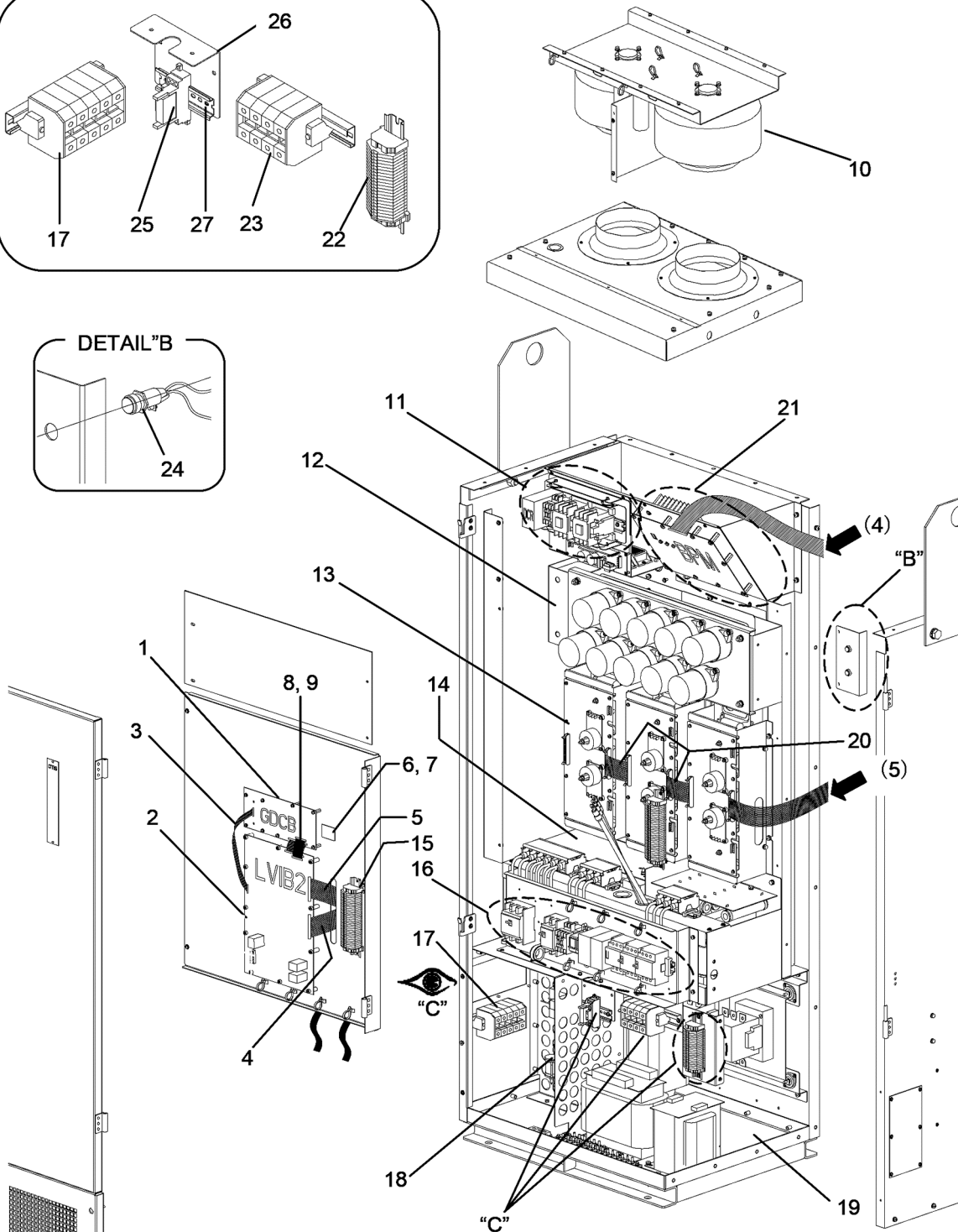
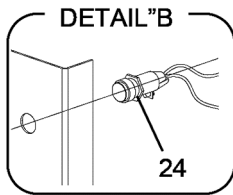
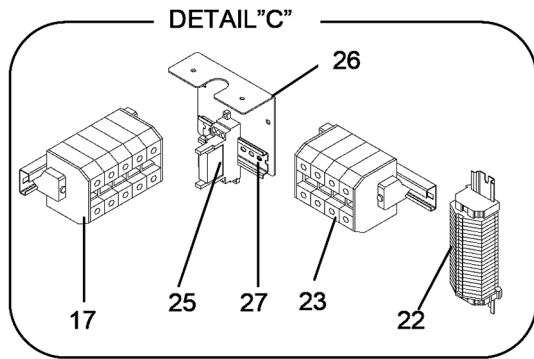













JAA21350AAK1
JBA21350AAK1

REF. NO.	PART or ML	DESCRIPTION
1	JAA00600ABS002	HEAT SINK
2	JAA433AHS1	PANEL, CONTROLLER
3	JAA00601ACD001 JAA601AFM1	IGBT
4	JBA26807BEN003	BRAKE POWER MODULE
5	JAA354AAX205	DISTANCE PIECE
6	JAA00339AAB002	CLIP

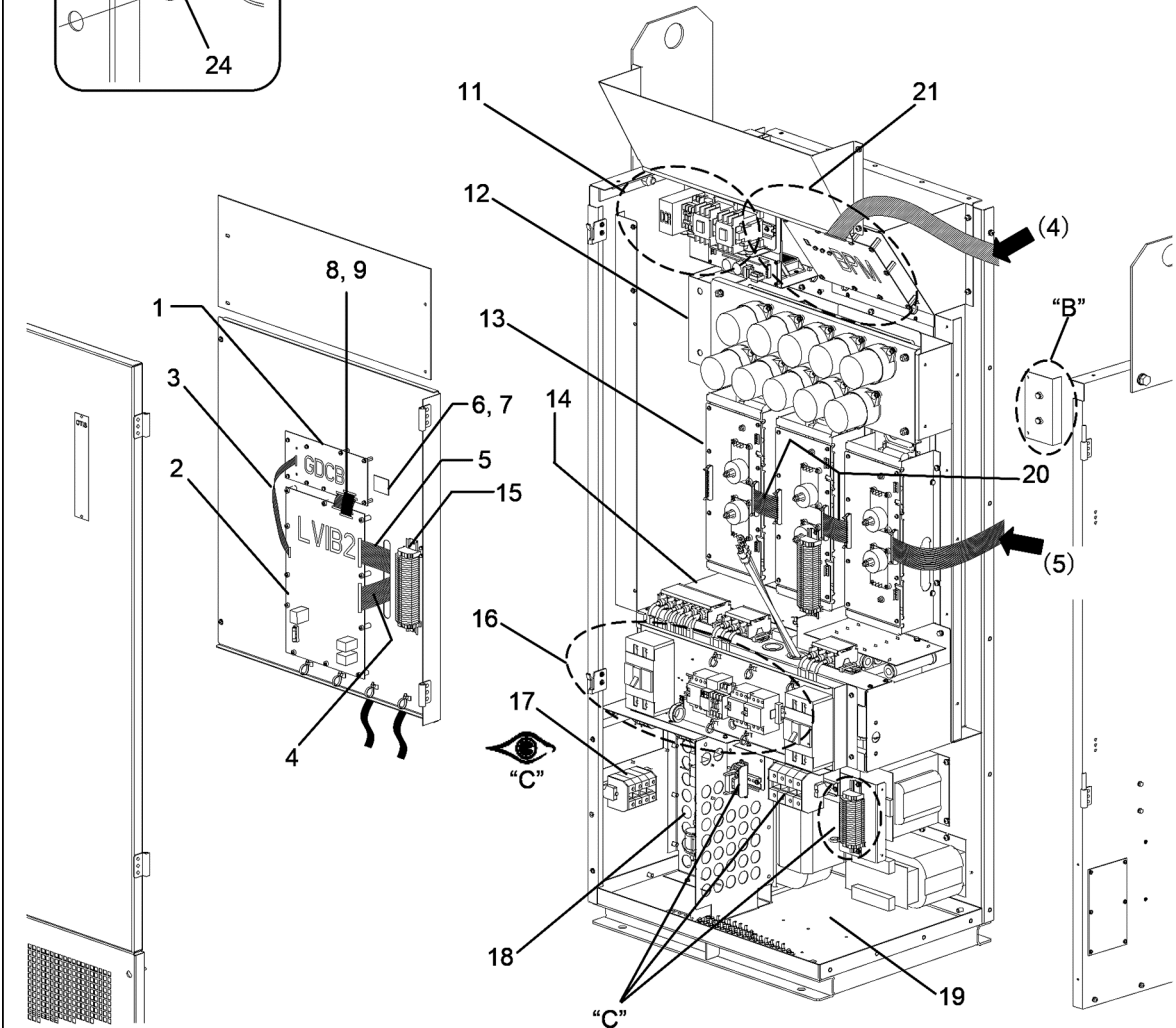
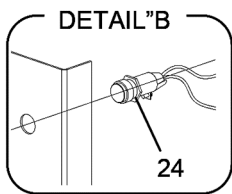
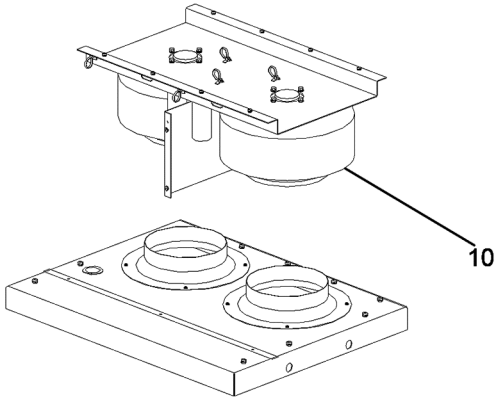
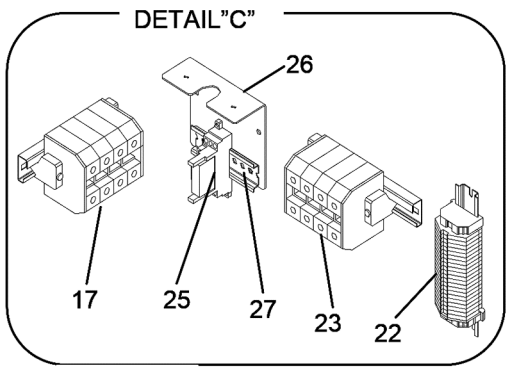














REF. NO.	PART or ML	DESCRIPTION	USE for
1	JEA26800AKT4 JAA26807CHC128	GLOBAL DRIVE CONTROL BOARD	
2	 Page 49	LOW VOLTAGE INTERFACE BOARD2	
3	JAA174KKD31	FLAT CABLE (L=380mm)	
4	JAA00174CCS003	FLAT CABLE (L=1500mm)	
5	JAA00174CCV002	FLAT CABLE (L=600mm)	
6	DAA26800W1	CAN TERMINATOR BOARD	JFA201~212, 221~232
7	JAA00462ADR005	SPACER for CTB	
8	JAA174KKD33	FLAT CABLE (L=90mm)	
9	JAA174KKD36	FLAT CABLE (L=50mm)	
10	 Page 17	FAN ASS'Y	
11	 Page 18, 19	RELAY ASS'Y	
12	 Page 20	CAPACITOR BANK	
13	 Page 21, 22	POWER MODULE	
14	JAA21350AAG11  Page 23	EMI FILTER	
15	JDA21350AAL 1	BREAKER ASS'Y (OLD TYPE)  P.24 — NOTE	JEA~JFA
	JEA21350AAL 4		101~103, 107~109, 201~203, 207~209
	 P. 24, 25 6		104~106, 110~112, 204~206, 210~212
	9		121~123, 127~129, 221~223, 227~229
	JAA21350ABB 1	BREAKER ASS'Y (NEW TYPE)	JFA
	 P.30, 31 4		101~103, 107~109, 201~203, 207~209
	6		104~106, 110~112, 204~206, 210~212
	9		121~123, 127~129, 221~223, 227~229
16	JAA00303ABE002	TERMINAL BLOCK [TRM1]	124~126, 130~132, 224~226, 230~232
17	JBA21350AAM1  Page 36	MAIN CONTACTOR ASS'Y	
18	 Page 37	BOTTOM PARTS	
19	JAA00174CCT001	FLAT CABLE (L=80mm)	
20	 Page 40	BRAKE POWER MODULE ASS'Y	
21	JO299FS19	DIN RAIL (L=165mm)	
22	JAA00477ABS002	STOPPER	
23	JAA00303ABE012	TERMINAL BLOCK [TRM2]	
24	JBA00303AEJ002	TERMINAL BLOCK [TBL1]	
25	JAA00424AAW001	PILOT LAMP [PL1, 2]	



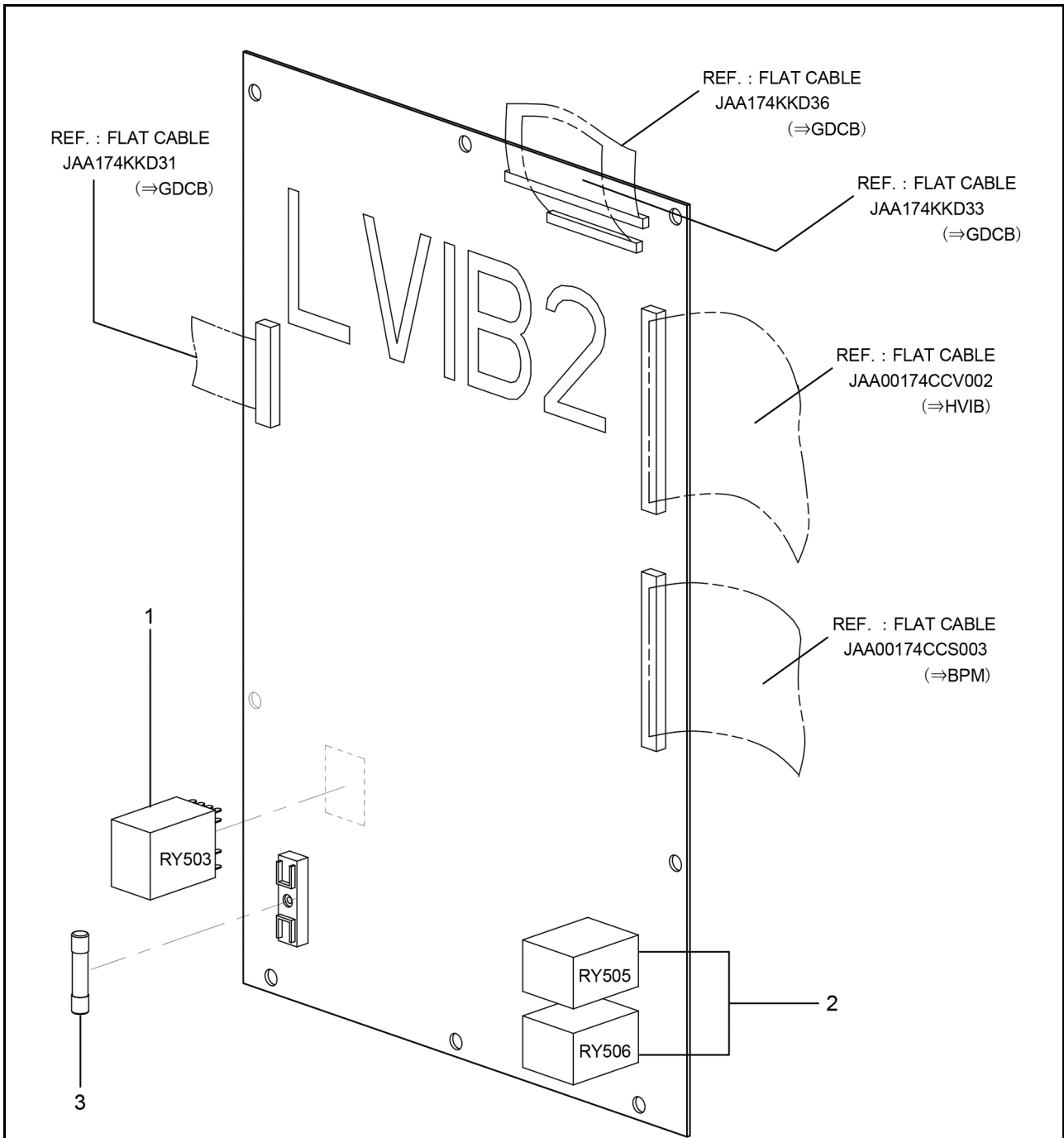
REF. NO.	J_A25402AAM	DESCRIPTION	J_A25402AAM_
REF. NO.	PART or ML	DESCRIPTION	USE for
1	ADA26800AKT4 JAA26807CHC128	GLOBAL DRIVE CONTROL BOARD 〔GDCB〕	
2	 Page 49	LOW VOLTAGE INTERFACE BOARD2 〔LVIB2〕	
3	JAA174KKD31	FLAT CABLE (L=380mm)	
4	JAA00174CCS003	FLAT CABLE (L=1500mm)	
5	JAA00174CCV002	FLAT CABLE (L=600mm)	
6	DAA26800W1	CAN TERMINATOR BOARD	JFA ~ JHA
7	JAA00462ADR005	SPACER for CTB	213 ~ 218, 233 ~ 238
8	JAA174KKD33	FLAT CABLE (L=90mm)	
9	JAA174KKD36	FLAT CABLE (L=50mm)	
10	JAA21350AAH_ 1	FAN ASS'Y	JHA 513 ~ 536
	 Page 17 2		
11	 Page 18, 19	RELAY ASS'Y	
12	 Page 20	CAPACITOR BANK	
13	 Page 21, 22	POWER MODULE	
14	JAA21350AAG11  Page 23	EMI FILTER	
15	JAA00303AEH003	TERMINAL BLOCK 〔TBL5〕	
16	JDA21350AAL_ JEA21350AAL_ 2	BREAKER ASS'Y (OLD TYPE)  P.26 — NOTE	JEA ~ JFA 113 ~ 118, 213 ~ 218 313 ~ 318
	 P. 26, 27 7		JEA ~ JFA 133 ~ 138, 233 ~ 238
	JAA21350ABB 2	BREAKER ASS'Y (NEW TYPE)	JFA ~ JHA 113 ~ 118, 213 ~ 218 313 ~ 318, 513 ~ 536
	 P. 32, 33 7		JFA ~ JHA 133 ~ 138, 233 ~ 238
17	JAA00303ADK001	TERMINAL BLOCK 〔TRM1〕	
18	JBA21350AAM2  Page 36	MAIN CONTACTOR ASS'Y	
19	 Page 38	BOTTOM PARTS	
20	JAA00174CCT001	FLAT CABLE (L=80mm)	
21	 Page 40	BRAKE POWER MODULE ASS'Y	

REF. NO.	J_A25402AAM PART or ML	DESCRIPTION	J_A25402AAM_ USE for
22	JAA00303AEG003	TERMINAL BLOCK [TBL1]	JEA~JHA 113~118, 133~138 313~318, 513~518, 525~530
	JAA00303AEG003 JAA303AKP1		JEA~JHA 213~218, 233~238
	JAA303AKP1		JHA: 519~524, 531~536
23	JAA00303ADK003	TERMINAL BLOCK [TRM2]	
24	JAA00424AAW001	PILOT LAMP [PL1, 2]	
25	JAA613AGP1 JAA618ADA1 AAA303EP131	RELAY SOCKET ENDSTOP(GREY)	JHA 213~218, 233~238, 519~524
	JAA613AFM22 (W/ JAA605ACT5)	RELAY SURGE ABSORBER UNIT	JHA: 531~536
26	JBA438CBN1	BRACKET	JHA: 213~218, 233~238, 519~524, 531~536
27	JO299FS10	BAR(L=100mm)	



REF. NO.	J_A25402AAM PART or ML	DESCRIPTION	J_A25402AAM_ USE for	
1	ADA26800AKT1 JAA26807CHC128	GLOBAL DRIVE CONTROL BOARD 〔GDCB〕		
2	 Page 49	LOW VOLTAGE INTERFACE BOARD2 〔LVIB2〕		
3	JAA174KKD31	FLAT CABLE (L=380mm)		
4	JAA00174CCS003	FLAT CABLE (L=1500mm)		
5	JAA00174CCV002	FLAT CABLE (L=600mm)		
6	DAA26800W1	CAN TERMINATOR BOARD	JFA~JHA	
7	JAA00462ADR005	SPACER for CTB	219, 220, 239	
8	JAA174KKD33	FLAT CABLE (L=90mm)		
9	JAA174KKD36	FLAT CABLE (L=50mm)		
10	 Page 17	FAN ASS'Y		
11	 Page 18, 19	RELAY ASS'Y		
12	 Page 20	CAPACITOR BANK		
13	 Page 21, 22	POWER MODULE		
14	JAA21350AAG12  Page 23	EMI FILTER		
15	JAA00303AEH003	TERMINAL BLOCK 〔TBL5〕		
16	JDA21350AAL_ JEA21350AAL_  P. 28, 29	3	BREAKER ASS'Y (OLD TYPE)	JEA~JFA119, 219
		5	 P.28 — NOTE	JEA~JFA120, 220
		8		JEA~JFA139, 239
	JAA21350ABB  P. 34, 35	3	BREAKER ASS'Y (NEWTYPE)	JFA~JHA 119, 219, 319, 419
		5		JFA~JHA 120, 220, 320, 420
		8		JFA~JHA139, 239
17	JAA00303ADK002	TERMINAL BLOCK 〔TRM1〕		
18	JBA21350AAM3  Page 36	MAIN CONTACTOR ASS'Y		
19	 Page 39	BOTTOM PARTS		
20	JAA00174CCT001	FLAT CABLE (L=80mm)		
21	 Page 40	BRAKE POWER MODULE ASS'Y		

REF. NO.	J_A25402AAM PART or ML	DESCRIPTION	J_A25402AAM_ USE for
22	JAA00303AEG003	TERMINAL BLOCK [TBL1]	JEA~JHA 119, 120, 139, 319, 320
	JAA00303AEG003 JAA303AKP1		JEA~JHA 219, 220, 239
	JAA303AKP1		JHA: 419,420
23	JAA00303ADK004	TERMINAL BLOCK [TRM2]	
24	JAA00424AAW001	PILOT LAMP [PL1, 2]	
25	JAA613AGP1 JAA618ADA1 AAA303EP131	RELAY SOCKET ENDSTOP(GREY)	JHA: 219, 220, 239
	JAA613AFM22 (W/ JAA605ACT5)	RELAY SURGE ABSORBER UNIT	JHA: 419, 420
26	JBA438CBN1	BRACKET	JHA
27	JO299FS10	BAR(L=100mm)	219, 220, 239, 419, 420



~~JBA26807CBL1~~
JCA26807CBL1

REF. NO.	PART or ML	DESCRIPTION	MAKER
1	JO613DD15	RELAY : HC4-H-AC100V (RY503)	PANASONIC
2	JO613DM11	RELAY : HC2-H-AC100V-F (RY505, RY506)	
3	250CF-4	FUSE : 4A	HINODE