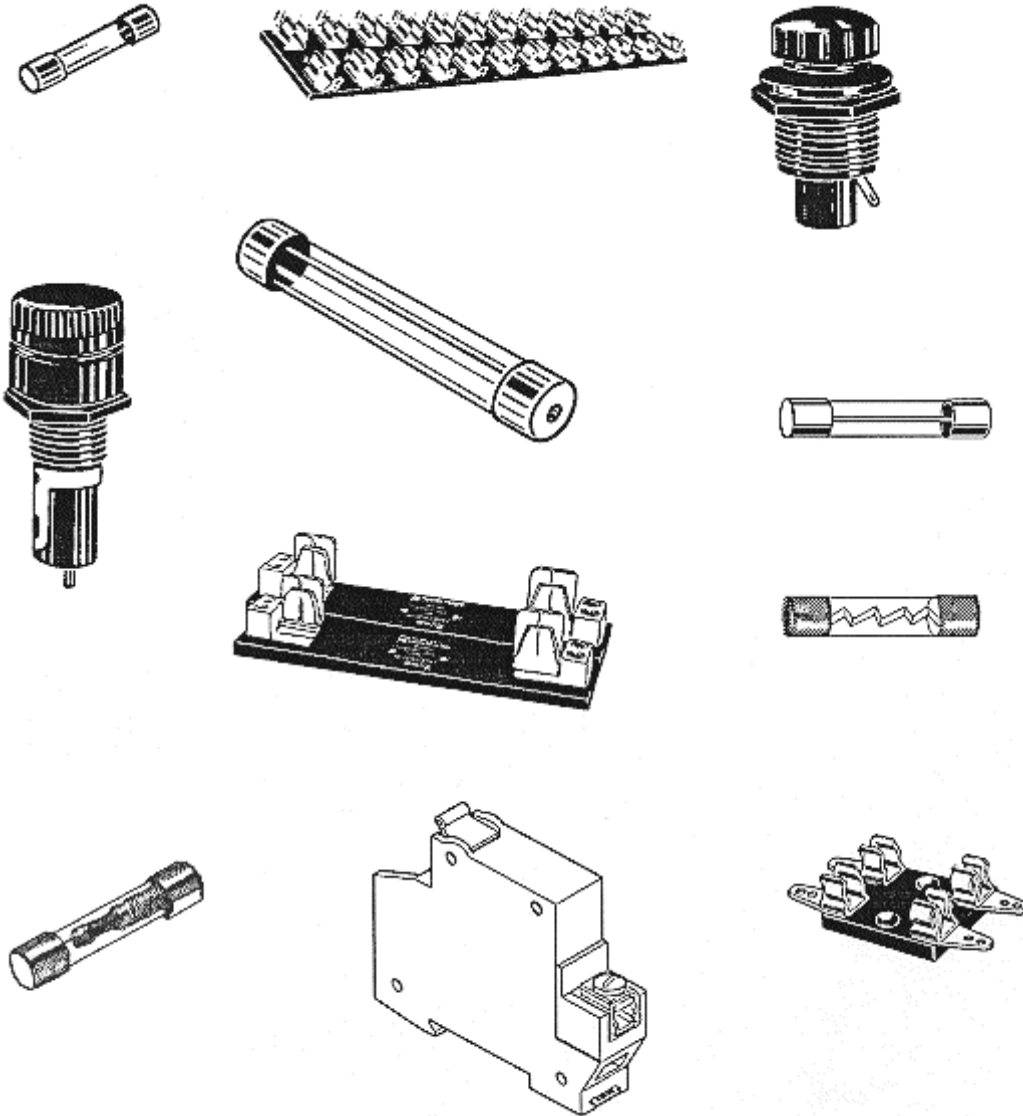


# SPL 10-375E - Fuses Fuseholders Circuit Breakers

Unpublished Work - © Otis Elevator Company. Any unauthorized reproduction, disclosure, or distribution of copies or content by any person of any portion of this work may be a violation of Copyright Law of the United States of America. All rights reserved.

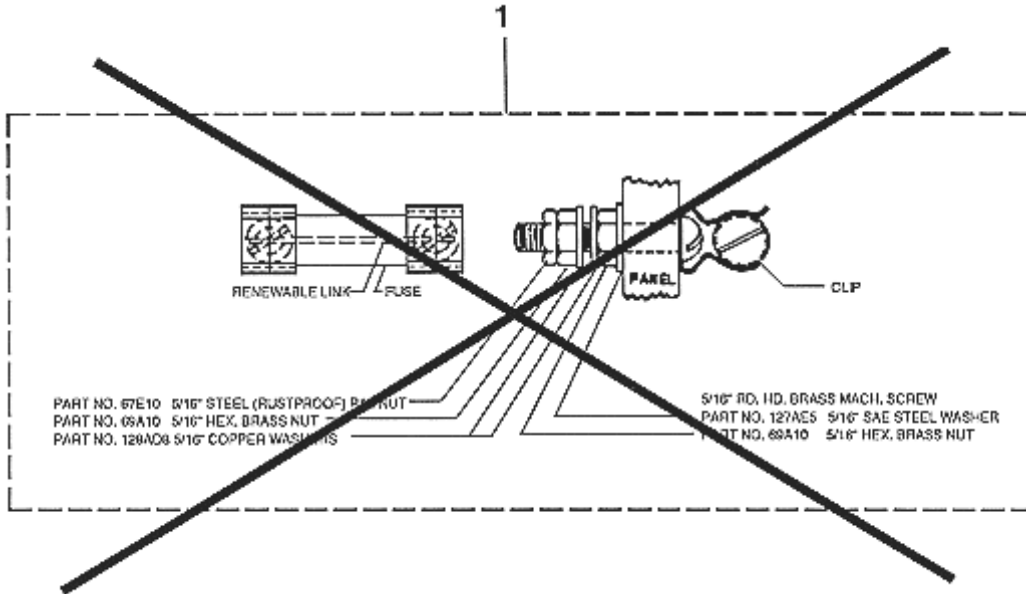
July 1987

Page 1



# SPL 10-375E - Fuses Fuseholders Circuit Breakers

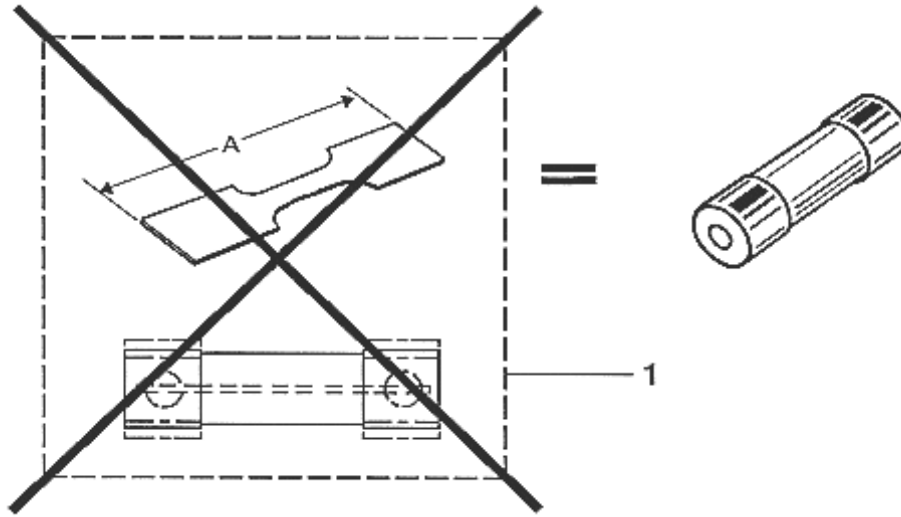
## Page 2 - TYPE 375E RENEWABLE LINK FUSE



REF. No.	Without VINTAGE		DESCRIPTION				
	PART OR ML			AMPS	VOLTS	LENGTH(")	
1	375E32	See Type 375J	Panel Mounted Renewable Fuse Assembly (Replaced by Types 375H & J See Page 8	60	250	2-7/8	
	375E38			60	600	5-3/8	
	375E33			See Type 375H	50	250	2-7/8
	375E39				50	600	5-3/8
	375E34	See Type 375J		3	600	4-1/2	
	375E40			6			
	375E35	See Type 375J		10			
	375E41			15			
	375E11			25			
	375E12			20			
	375E13			30			
	375E14						
	375E15						
	375E16						
	375E17						
	375E18						
	375E19						
	375E20						
	375E25						
	375E26						
375E27							
375E28							

SPL 10-375E - Fuses Fuseholders Circuit Breakers

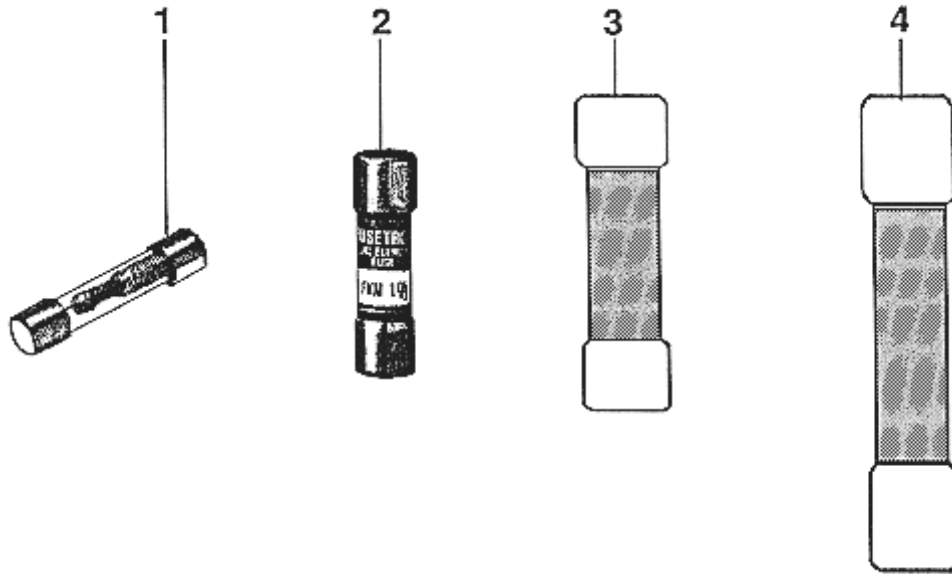
Page 3 - TYPE 375F RENEWABLE LINK FUSE



REF. No.	PART No.			AMPS	VOLTS	LENGTH(")	
	Fuse with (1) Space Link	Fuse with Link	Replacement Link				
1	375F1	375F2	375F3	See TYPE 375H	250	2.0	
	375F4	375F5	375F6				
	375F7	375F8	375F9				
	375F10	375F11	375F12				
	375F13	375F14	375F15				
	375F16	375F17	375F18				
	375F19	375F20	375F21				
	375F22	375F23	375F24				
	375F25	375F26	375F27				
	375F28	375F29	375F30				
	375F31	375F32	375F33				
	375F34	375F35	375F36				
	375F37	375F38	375F39				
	375F40	375F41	375F42				
	375F43	375F44	375F45				
	375F46	375F47	375F48				
	375F49	375F50	375F51				
	375F52	375F53	375F54				
	375F55	375F56	375F57				
	375F58	375F59	375F60				
	375F61	375F62	375F63				
	375F64	375F65	375F66				
					See TYPE 375J	600	5.0
						2-7/8	
						5-1/8	

## SPL 10-375E - Fuses Fuseholders Circuit Breakers

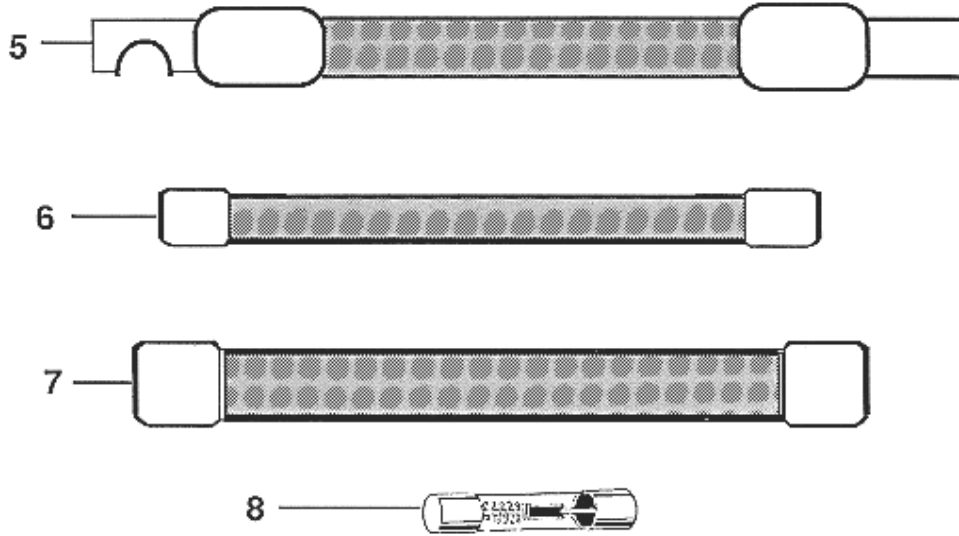
### Page 4 - FUSES - BY NAME-AMPS-VOLTS SEQUENCE



REF. No.	PART OR ML	DESCRIPTION					
			SYMBOL	AMPS	VOLTS	SIZE	
						Outside Diameter	LGTH.
1	375T21	Fuse, Dual Element	3AG	0.125	125	1/4	1-1/4
	375T26			1	250	1/4	1-1/4
	375T25			1.5	250	1/4	1-1/4
2	RBFNM7	Fuse, Dual Element	FNM	7	250	13/32	1-1/2
3	375Y1	Fuse, Dual Element, Time-Delay	FRN	1	250	9/16	2
	375Y2			2	250	9/16	2
	P375Y11			2.5	250	9/16	2
	375Y3			3	250	9/16	2
	P375Y101			3	250	9/16	2
	P375AS6			4	250	9/16	2
	375Y6			6	250	9/16	2
	375Y10			10	250	9/16	2
	375Y15			15	250	9/16	2
	375Y20			20	250	9/16	2
	375Y25			25	250	9/16	2
	375Y30			30	250	9/16	2
	4			375Y35			35
375Y40				40	250	13/16	3
FRN40				40	250	13/16	3
P375Y45				45	250	13/16	3
375Y50				50	250	13/16	3
375Y60				60	250	13/16	3

SPL 10-375E - Fuses Fuseholders Circuit Breakers

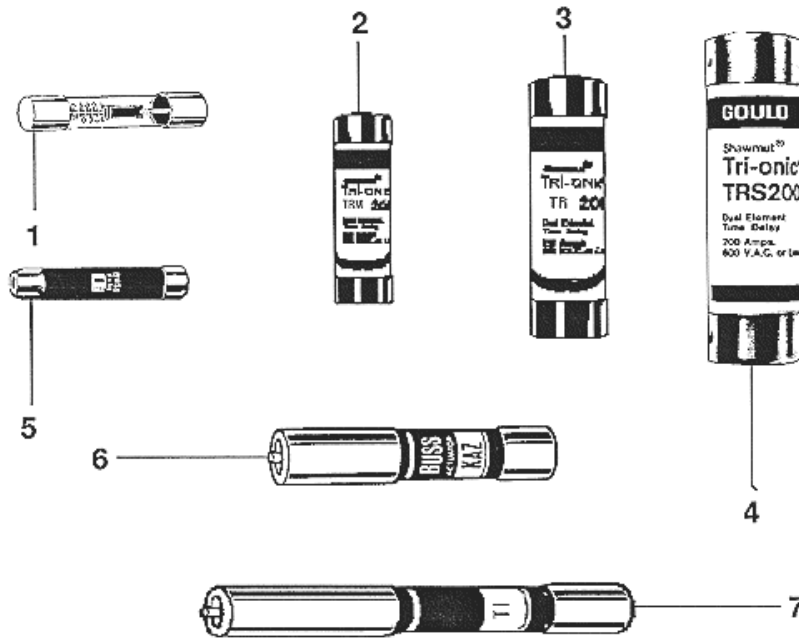
Page 5



REF. No.	PART OR ML		DESCRIPTION				
			SYM BOL	AMPS	VOLTS	SIZE	
						Outside Diameter	LGTH.
5	P375Y70		FRN	70	250	1	5-7/8
	P375Y100			100	250	1	5-7/8
6	P375W11		FRS	1.25	600	1-13/16	5
	375W3			3	600	13/16	5
	375W6			6	600	13/16	5
	375W10			10	600	13/16	5
	375W15			15	600	13/16	5
	375W20			20	600	13/16	5
	375W25			25	600	13/16	5
	375W30			30	600	13/16	5
	RBFRS30			30	600	13/16	5
7	375W40		FRS	40	600	1-1/16	5-1/2
	375W50			50	600	1-1/16	5-1/2
	375W60			60	600	1-1/16	5-1/2
8	P375AM2		MDL	0.25	250	1/4	1-1/4
	375T24			0.5	250	1/4	1-14/
	P375BB1			1	250	1/4	1-1/4
	375T1			1	250	1/4	1-1/4
	P375AM1			2	125	1/4	1-1/4
	375T2			2	125	1/4	1-1/4
	375T4			2.5	125	1/4	1-1/4

## SPL 10-375E - Fuses Fuseholders Circuit Breakers

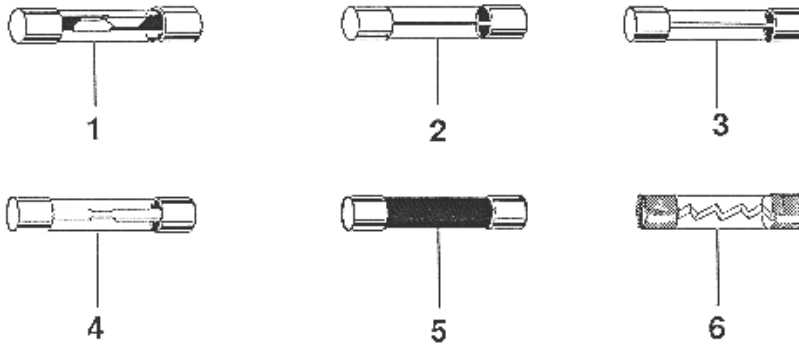
Page 6



REF. No.	Without VINTAGE PART OR ML		DESCRIPTION					
			SYM BOL	AMPS	VOLTS	SIZE		
						Outside Diameter	LGTH.	
1	P375AK1		Fuse, Dual-Element Time-Delay	MDX	2	250	1/4	1-1/4
	375T3				3.2	125	1/4	1-1/4
	P375AK2				5	125	1/4	1-1/4
	375T6	Interchangeable			6.25	125	1/4	1-1/4
	P375AK3	in both ways			6.25	125	1/4	1-1/4
2	HT2E5150/03-0018		Fuse, Dual-Element	TRM	2.5	250	13/32	1-1/2
3	LA5P17-0196		Time-Delay	TR	6	250	9/16	2
4	LA5P17-0196			TRS	30	600	13/16	5
5	P375AH1		High Voltage, Non-Time-Delay	HVA	1	1000	13/32	3
6	RBKAZ	Interchangeable	Indicator Device,	KAZ	0	600	13/32	2
	LA5P17-0223	in both ways	(Not a Fuse)	TI				
7	LA5P17-0237		Indicator Device, (Not a Fuse)	TI	0	3000	13/32	3-1/2

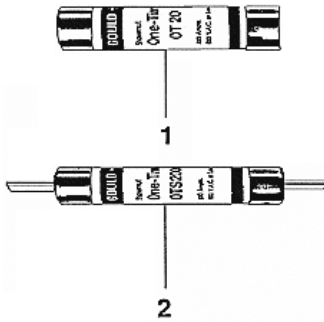
## SPL 10-375E - Fuses Fuseholders Circuit Breakers

Page 7



REF. No.	Without VINTAGE PART OR ML		DESCRIPTION							
				SYM BOL	AMPS	VOLTS	SIZE			
							Outside diameter	LGTH.		
1	P375AL4		Non-Time-Delay	AGC	0.031	250	1/4	1-1/4		
2	375P21				0.125	250	1/4	1-1/4		
	P375AL3	Interchangeable in both ways			0.25	250	1/4	1-1/4		
	375P22				0.25	250	1/4	1-1/4		
	375P23				0.375	250	1/4	1-1/4		
	375P24				0.5	250	1/4	1-1/4		
	375P25				0.75	250	1/4	1-1/4		
	P375AL5	Interchangeable in both ways			1	250	1/4	1-1/4		
	375P1				1	250	1/4	1-1/4		
	P375AL1	Interchangeable in both ways			1.5	250	1/4	1-1/4		
	375P26				1.5	250	1/4	1-1/4		
375P2		2			250	1/4	1-1/4			
3	P375BA1	Interchangeable in both ways			3	250	1/4	1-1/4		
	P375AL6				3	250	1/4	1-1/4		
	375P3				3	250	1/4	1-1/4		
4	P375AL7				6	32	1/4	1-1/4		
	P375AL2				15	32	1/4	1-1/4		
5	375P8				Non-Time-Delay, Ceramic	ABC	8	250	1/4	1-1/4
	P375BC1	Interchangeable in both ways					10	250	1/4	1-1/4
	P375AP2						10	250	1/4	1-1/4
	P375AP1		25	125			1/4	1-1/4		
	P375AF10		Non-Time-Delay, Very-Fast Acting, Ceramic	GBB	10	130	1/4	1-1/4		
6	375P4		Non-Time-Delay Single Element	MTH	4	250	1/4	1-1/4		
	375P5				5	250	1/4	1-1/4		
	375P6				6	250	1/4	1-1/4		

# SPL 10-375E - Fuses Fuseholders Circuit Breakers

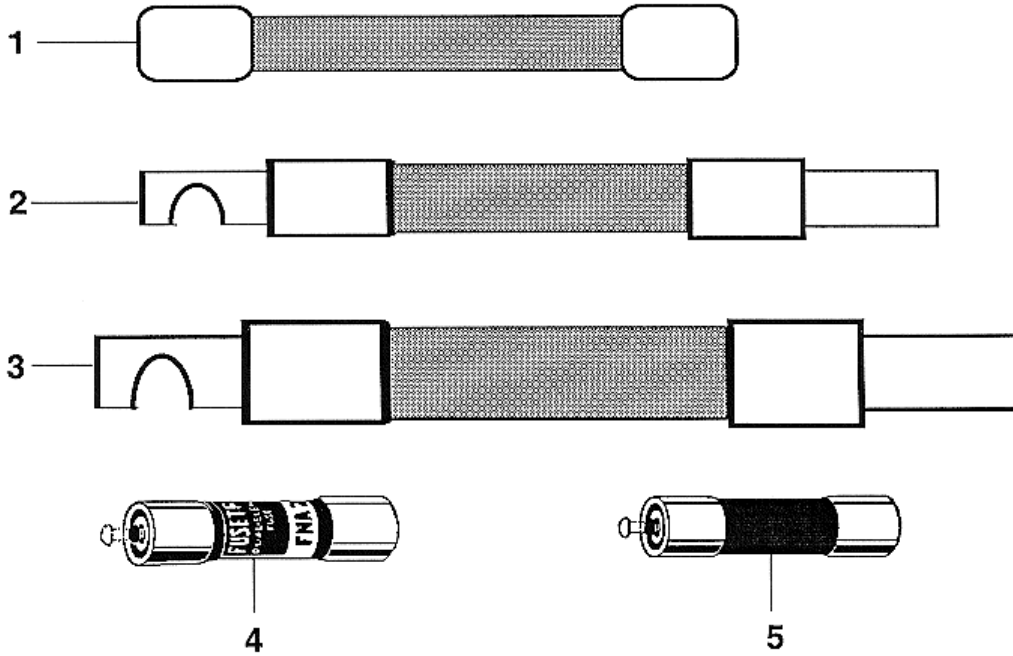


REF. No.	Without VINTAGE PART OR ML		DESCRIPTION					
			SYM BOL	AMPS	VOLTS	SIZE		
						Outside diameter	LGTH.	
1	375H1	Fuse, One-Time, Ferrule	OT	1	250	9/16	2	
	375H2			2	250	9/16	2	
	375H3			3	250	9/16	2	
	375H6			6	250	9/16	2	
	375H7			7	250	9/16	2	
	375H10			10	250	9/16	2	
	375H15			15	250	9/16	2	
	375H20			20	250	9/16	2	
	375H25			25	250	9/16	2	
	375H30			30	250	9/16	2	
	375H40			40	250	13/16	3	
	375H50			50	250	13/16	3	
	375H60			60	250	13/16	3	
	375J3			OTS	3	600	13/16	5
	375J6		6		600	13/16	5	
	375J10		10		600	13/16	5	
	375J15		15		600	13/16	5	
	375J20		20		600	13/16	5	
	375J25		25		600	13/16	5	
	375J30		30		600	13/16	5	
	P375AY1		Interchangeable in both ways		40	600	1-1/16	5-1/2
	375J40				40	600	1-1/16	5-1/2
	375J50				50	600	1-1/16	5-1/2
375J60	60	600		1-1/16	5-1/2			
2	P375AY2	Fuse, One-Time, Knife-Blade		70	600	1-5/16	7-7/8	
	P375AY3			80	600	1-5/16	7-7/8	
	P375AY4			125	600	1-13/16	9-5/8	

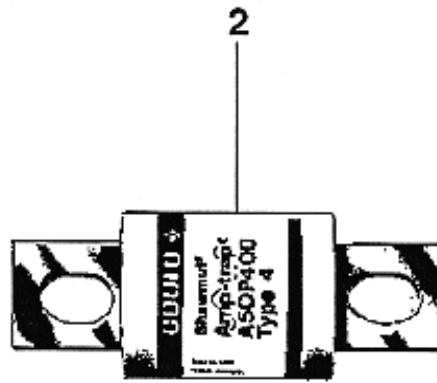


SPL 10-375E - Fuses Fuseholders Circuit Breakers

Page 9



REF. No.	Without VINTAGE		DESCRIPTION					
	PART OR ML			SYM BOL	AMPS	VOLTS	SIZE	
							Outside diameter	LGTH.
1	P375AR6			NOS	40	600	1-1/16	5-1/2
	P375AR1				60	600	1-1/16	5-1/2
2	P375AR2				80	600	1-1/4	7-7/8
	P375AR3				90	600	1-1/4	7-7/8
3	P375AR4				100	600	1-3/4	9-5/8
	P375AR5				110	600	1-3/4	9-5/8
4	P375AJ1				Fuse, Pin Indicating, Dual Element, Time-Delay	FNA	2	125
5	HT2E5150/10-0001	Interchangeable	Fuse, Pin Indicating, Non-Time-Delay	MIC/ MIN	1	250	13/32	1-1/2
	P375AW1	in both ways						
	HT2E5150/10-0002	Interchangeable		2	250	13/32	1-1/2	
	P375AW3	in both ways						
	HT2E5150/10-0003			3	250	13/32	1-1/2	
	HT2E5150/10-0004							
	HT2E5150/10-0005	Interchangeable		10	250	13/32	1-1/2	
	P375AW2	in both ways						
	HT2E5150/10-0006			15	250	13/32	1-1/2	

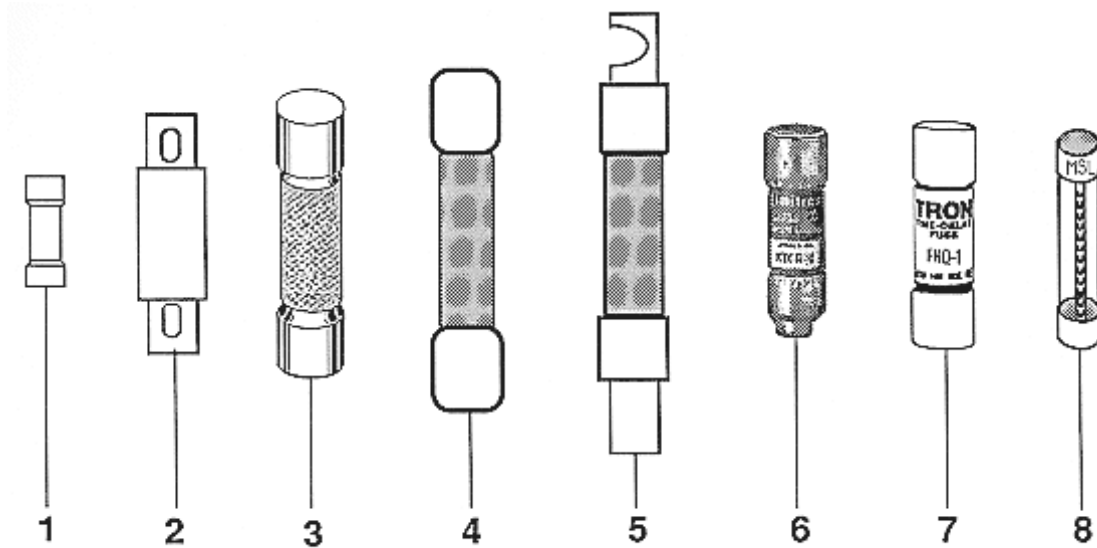


**SPL 10-375E - Fuses Fuseholders Circuit Breakers**

REF. No.	Without VINTAGE		DESCRIPTION					
	PART OR ML		SYM BOL	AMPS	VOLTS	SIZE		
						Outside diameter	LGTH.	
1	P375AB1		Fuse, Form 101	1	250	9/16	2	
	P375AB5			Rectifier,	5	250	9/16	2
	HT2E5150/07-0001			Current-	6	250	9/16	2
	P375AB7			Limiting	7	250	9/16	2
	HT2E5150/07-0002				15	300	9/16	2
	HT2E5150/07-0003				25	250	9/16	2
							9/16	
2	P375AE35			35	600	13/16	4-3/8	
	LA5P17-0236			100	1000	1-5/32	5	
	P375AV1			125	700	1-1/2	5-3/32	
	P375AV2			150	700	1-1/2	5-3/32	
	P375AV3			175	700	1-1/2	5-3/32	
	RBA50P200			200	500	1-7/32	3-19/32	
	P375AV4			200	700	1-1/2	5-3/32	
	LA5P17-0231	Interchangeable in both ways		250	500	1-1/2	4-11/32	
	RBA50P250			250	500	1-1/2	4-11/32	
	P375AV5			250	700	2	5-3/32	
	RBA50P300			300	500	1-1/2	4-11/32	
	P375AV6			300	700	2	5-3/32	
	LA5P17-0233	Interchangeable in both ways		350	500	1-1/2	4-11/32	
	RBA50P350			350	500	1-1/2	4-11/32	
	RBA50P400			400	500	1-1/2	4-11/32	
	LA5P17-0234	Interchangeable in both ways		400	700	2	5-3/32	
	P375AV7			400	700	2	5-3/32	
	RBA50P500			500	500	1-1/2	4-11/32	
	LA5P17-0235			500	700	2-1/2	7	

## SPL 10-375E - Fuses Fuseholders Circuit Breakers

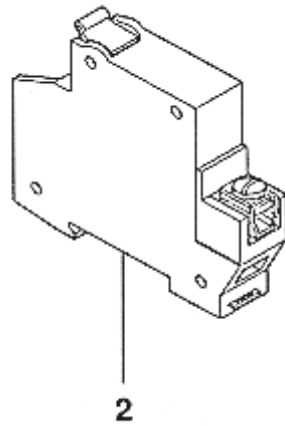
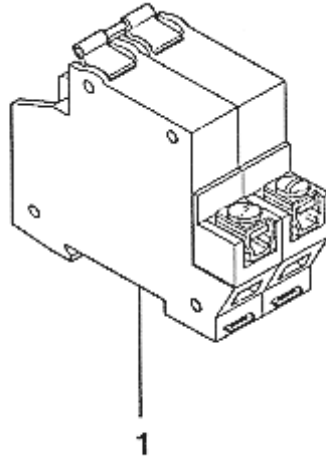
Page 11



REF. No.	Without VINTAGE		DESCRIPTION				
	PART OR ML		SYM BOL	AMPS	VOLTS	SIZE	
						Outside diameter	LGTH.
1	P375AS1	Fuse, Rectifier, Fast-Acting	KAB	3	250	9/16	2
2	P375AX1	Fuse, Rectifier, Fast-Acting	KAX	100	250	1-7/32	3-1/9
	P375AX2			150	250	1-7/32	3-1/8
	P375AX3			200	250	1-7/32	3-1/8
3	P375AT1	Fuse, Single Element Fast-Acting	KTK	3	600	13/32	1-1/2
	P375AT2			6	600	13/32	1-1/2
	P375AT3			10	600	13/32	1-1/2
	P375AT4			30	600	13/32	1-1/2
4	P375AS3	Fuse, Single Element, Fast-Acting	KTN	6	250	9/16	2
	P375AS4			20	250	9/16	2
	P375AS2			30	250	9/16	2
	P375AS7			35	250	13/16	3
	P375AS5			50	250	13/16	3
5	P375AS8		KTS	40	600	1-1/16	5-1/2
6	HTKTK-R-6	Fuse, Single Element, Rejection	KTK-R	6	250	13/32	1-1/2
7	RBFNQ2	Fuse, Single Element, Time-Delay	FNQ	2	500	13/32	1-1/2
	RBFNQ3-1/2			3.5	500	13/32	1-1/2
8	375T26	Fuse, Single Element, Time-Delay	MSL	1	250	1/4	1-1/4
	375T25			1.5	250	1/4	1-1/4

**SPL 10-375E - Fuses Fuseholders Circuit Breakers**

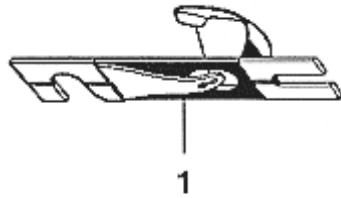
**Page 12 - MODEL 506 & 510 ESCALATOR CIRCUIT BREAKERS, MODEL 606 TRAV-O-LATOR® CIRCUIT BREAKERS**



	Without VINTAGE			
REF. No.	PART OR ML	DESCRIPTION	AMPS	VOLTS
1	G0375W7	Circuit Breaker	6	380-600
2	G0375Y2	Circuit Breaker	1/2	380-600
	G0375Y4		1	
	G0375Y6		2	
	G0375Y10		4	

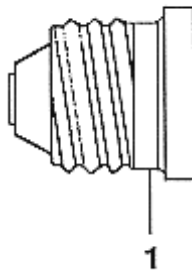
**SPL 10-375E - Fuses Fuseholders Circuit Breakers**

**Page 13 - FUSES - MISCELLANEOUS**



Without VINTAGE					
REF. No.	PART OR ML	DESCRIPTION	AMPS	VOLTS	LENGTH
1	P375AD1	Fuse, Grasshopper	1/2	<90	1-43/64

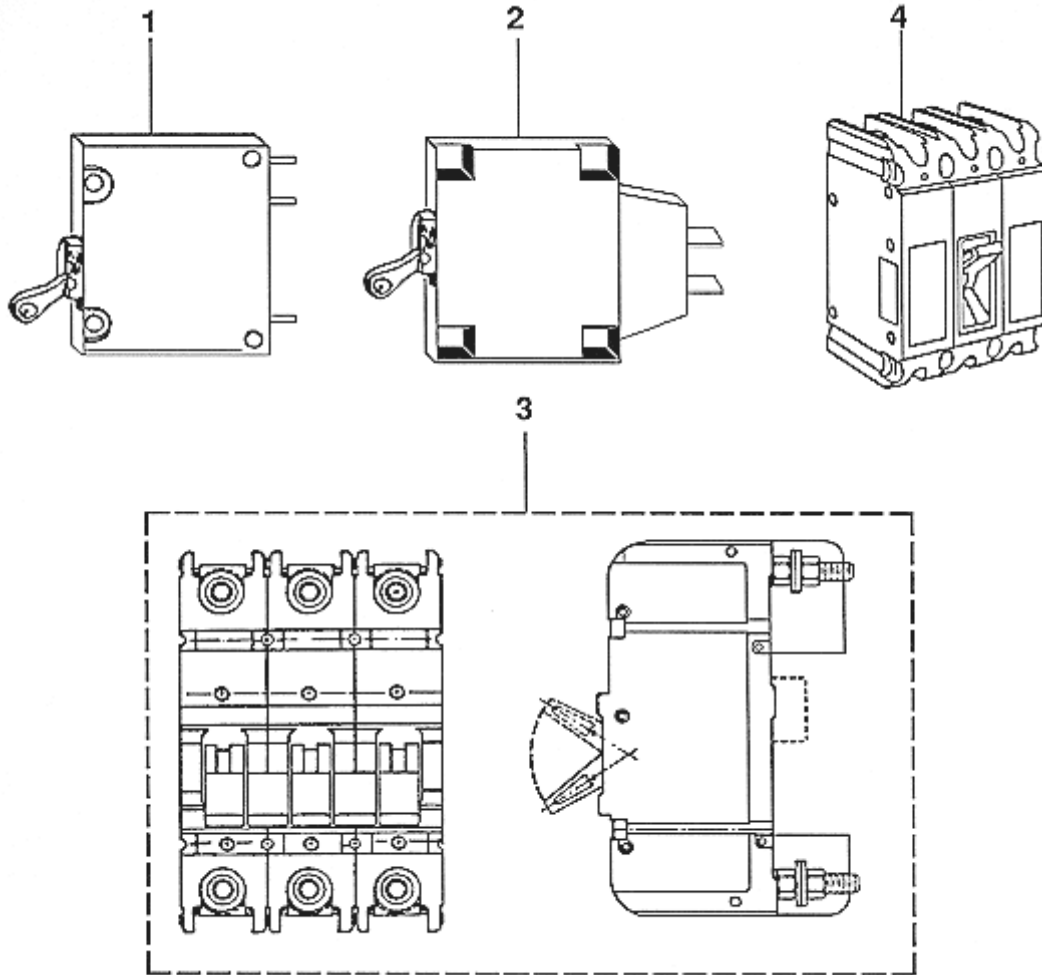
**Page 13 - TYPE 375AG**



Without VINTAGE			
REF. No.	PART OR ML	DESCRIPTION	AMPS
1	P375AG1	Fuse, Plug	10

# SPL 10-375E - Fuses Fuseholders Circuit Breakers

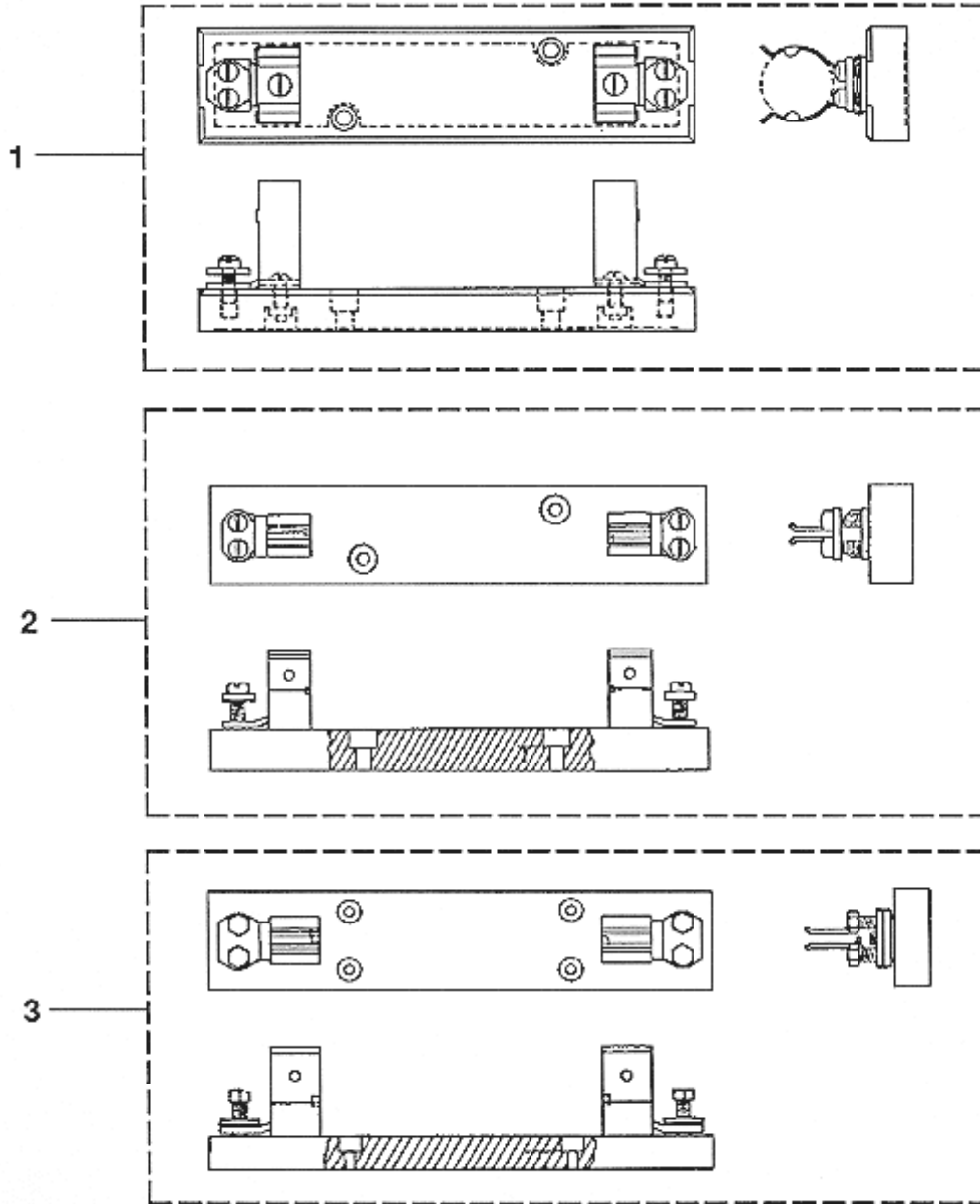
## Page 14 - CIRCUIT BREAKERS



Without VINTAGE			
REF. No.	PART OR ML	DESCRIPTION	AMPS
1	P375AZ1	Interchangeable in both ways	Circuit Breaker, 65VDC 15
	UPG-6-4-52-153-M-01		
2	P630A1	Circuit Breaker, 100VDC	6
	P630A2		
3	P630B1	Circuit Breaker, 125VDC, Non-Time Delay	1
	P630B2		5
	P630B3		10
	P630B4		15
4	P630C1	Circuit Breaker, 125/250DC	100
	P630C2		150
	P630C3		200

SPL 10-375E - Fuses Fuseholders Circuit Breakers

Page 15 - FUSEHOLDERS - SCREW TERMINALS

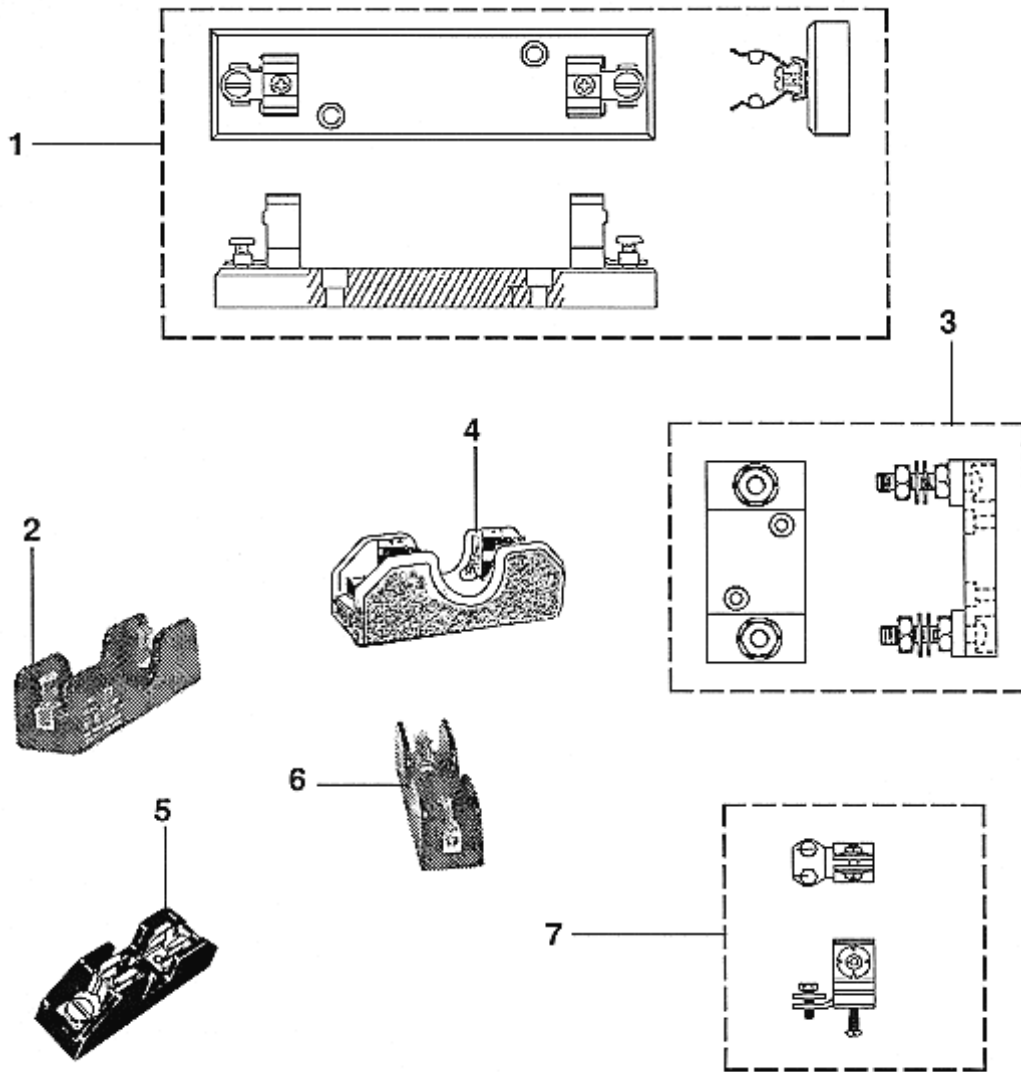


REF. No.	Without VINTAGE PART OR ML	DESCRIPTION				
		AMPS	VOLTS	POLES	VENDOR	VENDOR PART No.
1	P180BN1	60	600	1	Shawmut	60601
2	P180BN2	100				61001
3	P180BN3	200				62001



# SPL 10-375E - Fuses Fuseholders Circuit Breakers

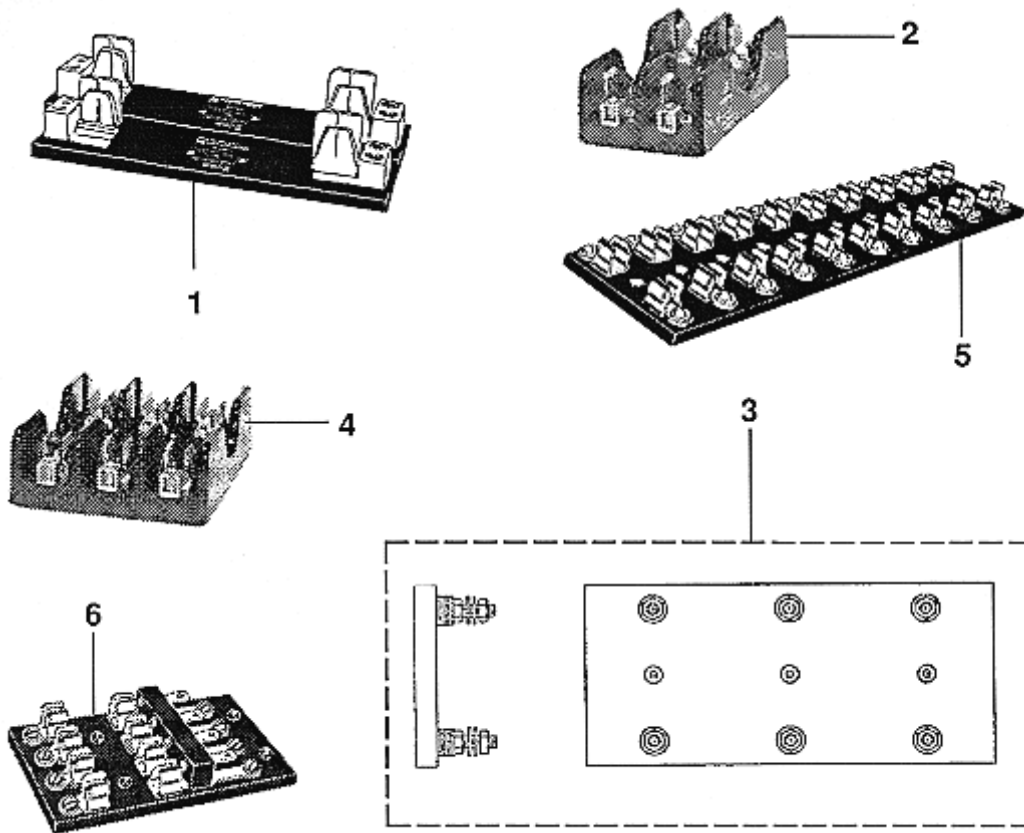
Page 16



REF. No.	Without VINTAGE PART OR ML	DESCRIPTION				
		AMPS	VOLTS	POLES	VENDOR	VENDOR PART No.
1	P180BA1	30	600	1	Shawmut	1073
2	P180BP4		250		Marathon	F30A1SP
3	P180BS2	200			Bussman	3556
4	P180BX1	30	600			2610
5	P180BZ1	15	300			2087
	P180CC1	30	600			2807
6	P180CA3	200			Marathon	6F200A1B
7	P339HC1	100		Shawmut	F100PC	

# SPL 10-375E - Fuses Fuseholders Circuit Breakers

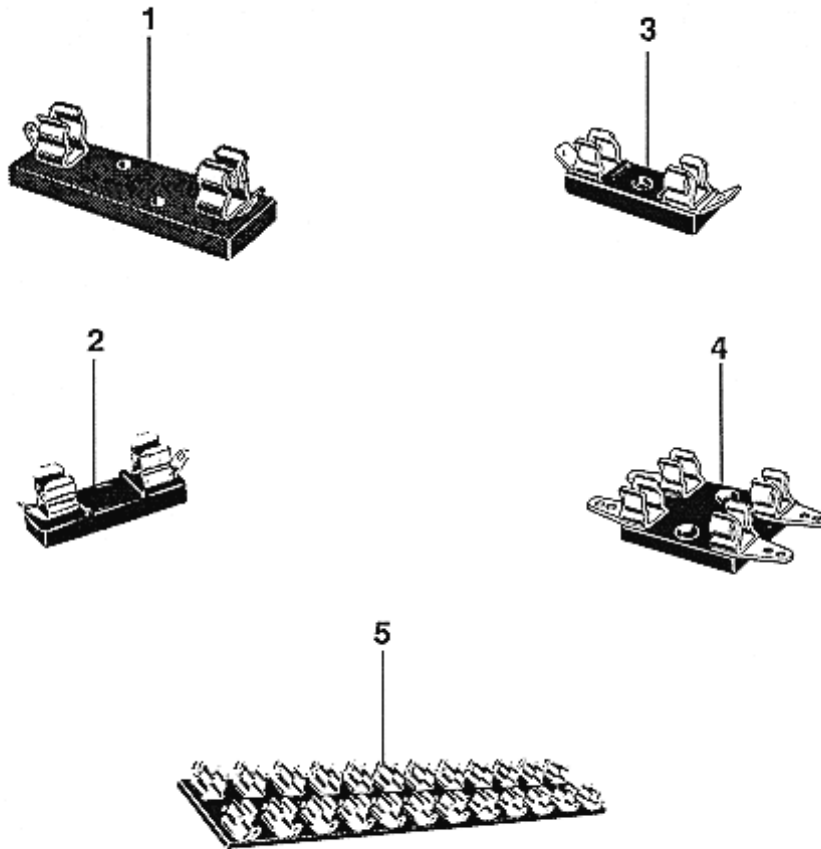
Page 17



REF. No.	Without VINTAGE PART OR ML		DESCRIPTION				
			AMPS	VOLTS	POLES	VENDOR	VENDOR PART No.
1	HT6F100A2B	Interchangeable in both ways	100	600	2	Marathon	6F100A2B
	P180CA2			250			F60A2B
	HT6F60A2B	Interchangeable in both ways		600			6F60A2B
	P180BW1						
	P180CA1						
2	P180BP1		30	250			F30A2SP
	P180BP2		600	6M30A2SP			
3	P180BS1		400	700	3	Bussman	1978-3
4	P303BA2		30	250		Marathon	F30A3B
	P303BA3			600			6F30A3B
	P180BP3						6M30A3SP
5	P180BT1			250	4	Bussman	3835-3
	P180BT2						3835-4
6	P303BA1						3839

# SPL 10-375E - Fuses Fuseholders Circuit Breakers

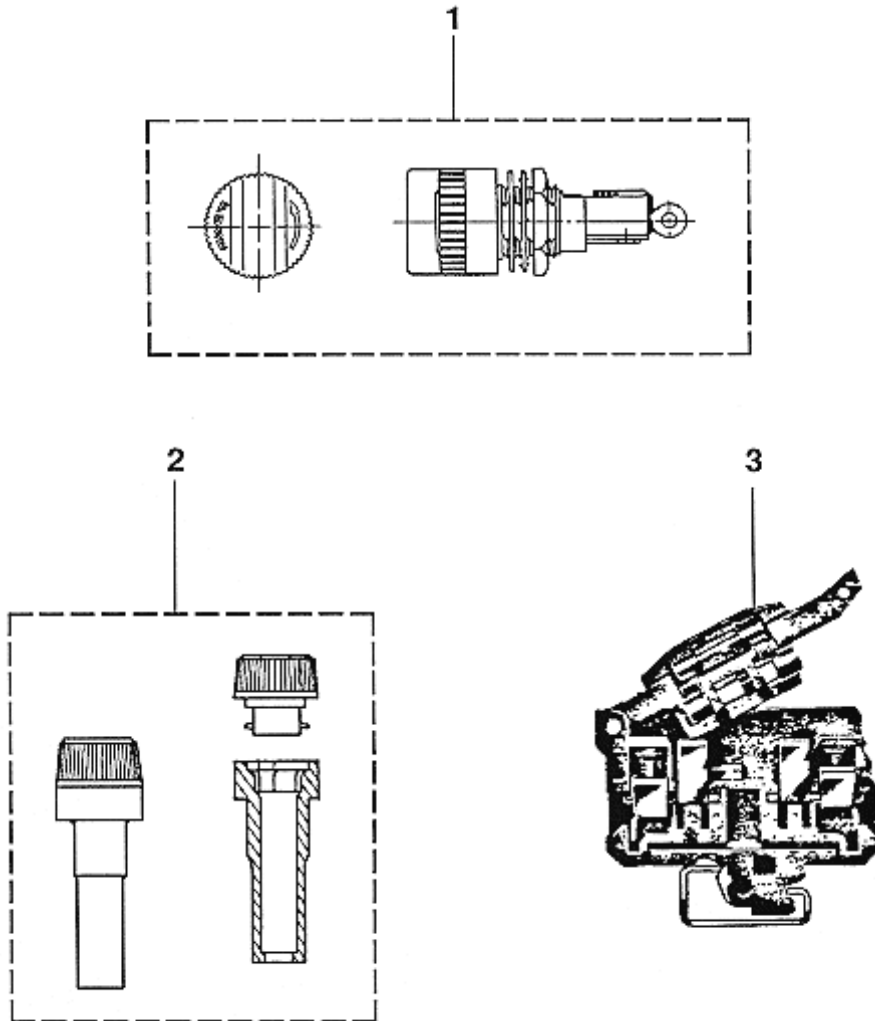
## Page 18 - FUSEHOLDERS - SOLDER TERMINALS



REF. No.	Without VINTAGE PART OR ML	DESCRIPTION				
		AMPS	VOLTS	POLES	VENDOR	VENDOR PART No.
1	P180BB1	2	1000	1	Bussman	4528
2	P180CB1		250		Littlefuse	357001
3	P180BR1		300	2	Bussman	2245-2
4	P180BR2		250			4408
5	P303BA6			3		3832-3
	P303BA7			6		3832-6
	P303BA8			8		3832-8
	P303BA9			9		3932-9
	P303BA5			12		3832-12

SPL 10-375E - Fuses Fuseholders Circuit Breakers

Page 19 - FUSEHOLDERS - MISCELLANEOUS



REF. No.	Without VINTAGE PART OR ML	DESCRIPTION	AMPS	VOLTS	VENDOR No.
1	P180BD1	Panel Mounted	20	250	3442501
2	P180BU1	In-Line	20	250	15502A
3	P180BY1	Channel Mounted	30	250	111031-01

**SPL 10-375E - Fuses Fuseholders Circuit Breakers**

Page 20

<b>OTIS PART NO.</b>	<b>PART TYPE</b>	<b>Vendor</b>	<b>VENDOR PART NO.</b>	<b>Amps</b>	<b>Volts</b>
375H1	OT	Shawmut	OT1	1	250
375H10	OT	Shawmut	OT40	10	250
375H15	OT	Shawmut	OT15	15	250
375H2	OT	Shawmut	OT2	2	250
375H20	OT	Shawmut	OT20	20	250
375H25	OT	Shawmut	OT25	25	250
375H3	OT	Shawmut	OT3	3	250
375H30	OT	Shawmut	OT30	30	250
375H40	OT	Shawmut	OT40	40	250
375H50	OT	Shawmut	OT50	50	250
375H6	OT	Shawmut	OT6	6	250
375H60	OT	Shawmut	OT60	60	250
375H7	OT	Shawmut	OT7	7	250
375J10	OTS	Shawmut	OTS10	10	600
375J15	OTS	Shawmut	OTS15	15	600
375J20	OTS	Shawmut	OTS20	20	600
375J25	OTS	Shawmut	OTS25	25	600
375J3	OTS	Shawmut	OTS3	3	600
375J30	OTS	Shawmut	OTS30	30	600
375J40	OTS	Shawmut	OTS40	40	600
375J50	OTS	Shawmut	OTS50	50	600
375J6	OTS	Shawmut	OTS6	6	600
375J60	OTS	Shawmut	OTS60	60	600
375P1	AGC	Bussman	AGC1	1	250
375P2	AGC	Bussman	AGC2	2	250
375P21	AGC	Bussman	AGC1/8	.125	250
375P22	AGC	Bussman	AGC1/4	.25	250
375P24	AGC	Bussman	AGC1/2	.5	250
375P25	AGC	Bussman	AGC3/4	.75	250
375P26	AGC	Bussman	AGC1-1/2	1.5	250
375P3	AGC	Bussman	AGC3	3	250
375P4	MTH	Bussman	MTH4	4	250
375P5	MTH	Bussman	MTH5	5	250
375P6	MTH	Bussman	MTH6	6	250
375P8	ABC	Bussman	ABC8	8	250
375T1	MDL	Bussman	MDL1	1	250
375T2	MDL	Bussman	MDL2	2	125
375T21	3AG	Littlefuse	313.125	.125	125
375T24	MDL	Bussman	MDL1/2	.5	250

SPL 10-375E - Fuses Fuseholders Circuit Breakers

OTIS PART NO.	PART TYPE	Vendor	VENDOR PART NO.	Amps	Volts
375T25	3AG	Littlefuse	31301.5	1.5	250
375T25	MSL	Bussman	MSL1-1/2	1.5	250
375T26	3AG	Littlefuse	313.001	1	250
375T26	MSL	Bussman	MSL-1	1	250
375T3	MDX	Bussman	MDX3.2	3.2	125
375T4	MDL	Bussman	MDL2-1/2	2.5	125
375T6	MDX	Bussman	MDX6-1/4	6.25	125
375W10	FRS	Bussman	FRS10	10	600
375W15	FRS	Bussman	FRS15	15	600
375W20	FRS	Bussman	FRS20	20	600
375W25	FRS	Bussman	FRS25	25	600
375W3	FRS	Bussman	FRS3	3	600
375W30	FRS	Bussman	FRS30	30	600
375W40	FRS	Bussman	FRS40	40	600
375W50	FRS	Bussman	FRS50	50	600
375W6	FRS	Bussman	FRS6	6	600
375W60	FRS	Bussman	FRS60	60	600
375Y1	FRN	Bussman	FRN1	1	250
375Y10	FRN	Bussman	FRN10	10	250
375Y15	FRN	Bussman	FRN15	15	250
375Y2	FRN	Bussman	FRN2	2	250
375Y20	FRN	Bussman	FRN20	20	250
375Y25	FRN	Bussman	FRN25	25	250
375Y3	FRN	Bussman	FRN3	3	250
375Y30	FRN	Bussman	FRN30	30	250
375Y35	FRN	Bussman	FRN35	35	250
375Y40	FRN	Bussman	FRN40	40	250
375Y50	FRN	Bussman	FRN50	50	250
375Y6	FRN	Bussman	FRN6	6	250
375Y60	FRN	Bussman	FRN60	60	250
FRN40	FRN	Bussman	FRN40	40	250
HT2E5150/03-0018	TRM	Shawmut	TRM2-1/2	2.5	250
HT2E5150/07-0001	Form 101	Shawmut	A25X6	6	250
HT2E5150/07-0002	Form 101	Shawmut	A25X15	15	300
HT2E5150/07-0003	Form 101	Shawmut	A25X25	25	250
HT2E5150/10-0001	MIC/MIN	Bussman	MIN 1	1	250
HT2E5150/10-0002	MIC/MIN	Bussman	MIN 2	2	250
HT2E5150/10-0003	MIC/MIN	Bussman	MIN 3	3	250
HT2E5150/10-0004	MIC/MIN	Bussman	MIN 5	5	250

**SPL 10-375E - Fuses Fuseholders Circuit Breakers**

<b>OTIS PART NO.</b>	<b>PART TYPE</b>	<b>Vendor</b>	<b>VENDOR PART NO.</b>	<b>Amps</b>	<b>Volts</b>
HT2E5150/10-0005	MIC/MIN	Bussman	MIN 10	10	250
HT2E5150/10-0006	MIC/MIN	Bussman	MIN 15	15	250
LA5P17-0019	TRS	Shawmut	TRS30R	30	600
LA5P17-0196	TR	Shawmut	TR6R	6	250
LA5P17-0223	TI	Shawmut	TI-600	0	600
LA5P17-0231	Form 101	Shawmut	A50P250	250	500
LA5P17-0233	Form 101	Shawmut	A50P350	350	500
LA5P17-0234	Form 101	Shawmut	A70P400	400	700
LA5P17-0235	Form 101	Shawmut	A70P500	500	700
LA5P17-0236	Form 101	Shawmut	A100P100	100	1,000
LA5P17-0237	TI	Shawmut	TI-1500	0	3,000
P375AB1	Form 101	Shawmut	A25X1	1	250
P375AB5	Form 101	Shawmut	A25X5	5	250
P375AB7	Form 101	Shawmut	A25X7	7	250
P375AD1	MISC.	Bussman	35F	.75	90
P375AE35	Form 101	Shawmut	A60X35	35	600
P375AF10	GBB	Bussman	GBB10	10	130
P375AG1	MISC.	Bussman	W10	10	
P375AH1	HVA	Bussman	HVA1	1	1,000
P375AJ1	FNA	Bussman	FNA2	2	125
P375AK1	MDX	Bussman	MDX2	2	250
P375AK2	MDX	Bussman	MDX5	5	125
P375AK3	MDX	Bussman	MDX6-1/4	6.25	125
P375AL1	AGC	Bussman	AGC1-1/2	1.5	250
P375AL2	AGC	Bussman	AGC15	15	32
P375AL3	AGC	Bussman	AGC1/4	.25	250
P375AL4	AGC	Bussman	AGC1/32	.031	250
P375AL5	AGC	Bussman	AGC1	1	250
P375AL6	AGC	Bussman	AGC3	3	250
P375AL7	AGC	Bussman	AGC6	6	250
P375AM1	MDL	Bussman	MDL2	2	125
P375AM2	MDL	Bussman	MDL1/4	.25	250
P375AN1	MISC.	Micro Temp	4136A1	46	120
P375AP1	ABC	Bussman	ABC25	25	125
P375AP2	ABC	Bussman	ABC10	10	250
P375AR1	NOS	Bussman	NOS-60	60	600
P375AR2	NOS	Bussman	NOS-80	80	600
P375AR3	NOS	Bussman	NOS-90	90	600
P375AR4	NOS	Bussman	NOS-100	100	600

**SPL 10-375E - Fuses Fuseholders Circuit Breakers**

<b>OTIS PART NO.</b>	<b>PART TYPE</b>	<b>Vendor</b>	<b>VENDOR PART NO.</b>	<b>Amps</b>	<b>Volts</b>
P375AR5	NOS	Bussman	NOS-110	110	600
P375AR6	NOS	Bussman	NOS-40	40	600
P375AS1	KAB	Bussman	KAB-3	3	250
P375AS2	KTN	Bussman	KTN30	30	250
P375AS3	KTN	Bussman	KTN6	6	250
P375AS4	KTN	Bussman	KTN20	20	250
P375AS5	KTN	Bussman	KTN50	50	250
P375AS6	FRN	Bussman	FRN-4	4	250
P375AS7	KTN	Bussman	KTS35	35	250
P375AS8	KTS	Bussman	KTS40	40	600
P375AT1	KTK	Bussman	KTK-3	3	600
P375AT2	KTK	Bussman	KTK6	6	600
P375AT3	KTK	Bussman	KTK10	10	600
P375AT4	KTK	Bussman	KTK-30	30	600
P375AV1	Form 101	Shawmut	A70P-125	125	700
P375AV2	Form 101	Shawmut	A70P-150	150	700
P375AV3	Form 101	Shawmut	A70P-175	175	700
P375AV4	Form 101	Shawmut	A70P-200	200	700
P375AV5	Form 101	Shawmut	A70P-250	250	700
P375AV6	Form 101	Shawmut	A70P-300	300	700
P375AV7	Form 101	Shawmut	A70P-400	400	700
P375AW1	MIC/MIN	Bussman	MIC/MIN1	1	250
P375AW2	MIC/MIN	Bussman	MIC/MIN10	10	250
P375AW3	MIC/MIN	Bussman	MIC/MIN2	2	250
P375AX1	KAX	Bussman	KAX100	100	250
P375AX2	KAX	Bussman	KAX150	150	250
P375AX3	KAX	Bussman	KAX200	200	250
P375AY1	OTS	Shawmut	OTS40	40	600
P375AY2	OTS	Shawmut	OTS70	70	600
P375AY3	OTS	Shawmut	OTS80	80	600
P375AY4	OTS	Shawmut	OTS125	125	600
P375AZ1		Airpax	UPG-6-4-52-153-M-0'	15	65
P375BA1	AGC	Bussman	AGC3	3	250
P375BB1	MDL	Bussman	MDL1	1	250
P375BC1	ABC	Bussman	ABC10	10	250
P375W11	FRS	Bussman	FRS1-1/4	1.25	600
P375Y100	FRN	Bussman	FRN100	100	250
P375Y101	FRN	Bussman	FRN3	3	250
P375Y11	FRN	Bussman	FRN2-1/2	2.5	250



**SPL 10-375E - Fuses Fuseholders Circuit Breakers**

<b>OTIS PART NO.</b>	<b>PART TYPE</b>	<b>Vendor</b>	<b>VENDOR PART NO.</b>	<b>Amps</b>	<b>Volts</b>
P375Y45	FRN	Bussman	FRN45	45	250
P375Y70	FRN	Bussman	FRN70	70	250
P630A1		Heinemann	JA1-Z234-1	6	100
P630B1	2012A	Airpax	209-1-1-50-2-8-1	1	125
P630B2	3104	Airpax	209-1-1-50-2-8-5	5	125
P630B3	3104	Airpax	209-1-1-50-2-8-10	10	125
P630B4	2012A	Airpax	209-1-1-50-2-8-15	15	125
P630C1	81GJ	Heinemann	GJ2-Z9-1	100	125
P630C2	81GJ	Heinemann	GJ2-Z9-2	150	125
P630C3	81GJ	Heinemann	GJ2-Z9-3	200	125
RBA50P200	Form 101	Shawmut	A50P200	200	500
RBA50P250	Form 101	Shawmut	A50P250	250	500
RBA50P300	Form 101	Shawmut	A50P300	300	500
RBA50P350	Form 101	Shawmut	A50P350	350	500
RBA50P400	Form 101	Shawmut	A50P400	400	500
RBA50P500	Form 101	Shawmut	A50P500	500	500
RBFN7	FN7	Bussman	FN7	7	250
RBFN2	FN2	Bussman	FN2	2	500
RBFNQ3-1/2	FNQ	Bussman	FNQ3-1/2	3.5	500
RBFRS30	FRS	Bussman	FRS30	30	600
RBKAZ	KAZ	Bussman	KAZ	0	600
UPG-6-4-52-153-M-01		Airpax	UPG-6-4-52-153-M-01	15	65

SPL 10-375E - Fuses Fuseholders Circuit Breakers

Amps	Volts	Size	PART TYPE (SYMBOL)	OTIS PART NO.
0	600	13/32X2	TI	LA5P17-0223
0	600	13/32X2	KAZ	RBKAZ
0	3,000	13/32X3-1/2	TI	LA5P17-0237
.031	250	1/4x1-1/4	AGC	P375AL4
.125	125	1/4x1-1/4	3AG	375T21
.125	250	1/4x1-1/4	AGC	375P21
.25	250	1/4x1-1/4	AGC	375P22
.25	250	1/4x1-1/4	AGC	P375AL3
.25	250	1/4x1-1/4	MDL	P375AM2
.5	250	1/4x1-1/4	AGC	375P24
.5	250	1/4x1-1/4	MDL	375T24
.75	90	1-43/64	MISC.	P375AD1
.75	250	1/4x1-1/4	AGC	375P25
1	125		2012A	P630B1
1	250	1/4x1-1/4	AGC	375P1
1	250	1/4x1-1/4	MDL	375T1
1	250	1/4x1-1/4	MSL	375T26
1	250	1/4x1-1/4	3AG	375T26
1	250	1/4x1-1/4	AGC	P375AL5
1	250	1/4x1-1/4	MDL	P375BB1
1	250	13/32X1-1/2	MIC/MIN	HT2E5150/10-0001
1	250	13/32x1-1/2	MIC/MIN	P375AW1
1	250	9/16X2	Form 101	P375AB1
1	250	9/16x2	OT	375H1
1	250	9/16x2	FRN	375Y1
1	1,000	13/32x3	HVA	P375AH1
1.25	600	1-13/16x5	FRS	P375W11
1.5	250	1/4x1-1/4	AGC	375P26
1.5	250	1/4X1-1/4	MSL	375T25
1.5	250	1/4x1-1/4	3AG	375T25
1.5	250	1/4x1-1/4	AGC	P375AL1
2	125	1/4x1-1/4	MDL	375T2
2	125	1/4X1-1/4	MDL	P375AM1
2	125	13/32x1-1/2	FNA	P375AJ1
2	250	1/4x1-1/4	AGC	375P2
2	250	1/4x1-1/4	MDX	P375AK1
2	250	13/32X1-1/2	MIC/MIN	HT2E5150/10-0002
2	250	13/32x1-1/2	MIC/MIN	P375AW3
2	250	9/16x2	OT	375H2

SPL 10-375E - Fuses Fuseholders Circuit Breakers

Amps	Volts	Size	PART TYPE (SYMBOL)	OTIS PART NO.
2	250	9/16X2	FRN	375Y2
2	500	13/32X1-1/2	FRQ	RBFNQ2
2.5	125	1/4x1-1/4	MDL	375T4
2.5	250	13/32x1-1/2	TRM	HT2E5150/03-0018
2.5	250	9/16X2	FRN	P375Y11
3	250	1/4x1-1/4	AGC	375P3
3	250	1/4x1-1/4	AGC	P375AL6
3	250	1/4x1-1/4	AGC	P375BA1
3	250	13/32X1-1/2	MIC/MIN	HT2E5150/10-0003
3	250	9/16x2	OT	375H3
3	250	9/16X2	FRN	375Y3
3	250	9/16x2	KAB	P375AS1
3	250	9/16X2	FRN	P375Y101
3	600	13/16x5	OTS	375J3
3	600	13/16X5	FRS	375W3
3	600	13/32x1-1/2	KTK	P375AT1
3.2	125	1/4x1-1/4	MDX	375T3
3.5	500	13/32X1-1/2	FRQ	RBFNQ3-1/2
4	250	1/4x1-1/4	MTH	375P4
4	250	9/16x2	FRN	P375AS6
5	125		3104	P630B2
5	125	1/4x1-1/4	MDX	P375AK2
5	250	1/4x1-1/4	MTH	375P5
5	250	13/32X5	MIC/MIN	HT2E5150/10-0004
5	250	9/16X2	Form 101	P375AB5
6	100			P630A1
6	250	1/4x1-1/4	MTH	375P6
6	250	1/4x1-1/4	AGC	P375AL7
6	250	17/32x2	Form 101	HT2E5150/07-0001
6	250	9/16x2	OT	375H6
6	250	9/16X2	FRN	375Y6
6	250	9/16x2	TR	LA5P17-0196
6	250	9/16x2	KTN	P375AS3
6	600	13/16X5	FRS	375W6
6	600	13/16x5	OTS	375J6
6	600	13/32X1-1/2	KTK	P375AT2
6.25	125	1/4x1-1/4	MDX	375T6
6.25	125	1/4x1-1/4	MDX	P375AK3
7	250	13/32X1-1/2	FNM	RBFNM7

SPL 10-375E - Fuses Fuseholders Circuit Breakers

Amps	Volts	Size	PART TYPE (SYMBOL)	OTIS PART NO.
7	250	9/16x2	OT	375H7
7	250	9/16X2	Form 101	P375AB7
8	250	1/4x1-1/4	ABC	375P8
10			MISC.	P375AG1
10	125		3104	P630B3
10	130	1/4x1-1/4	GBB	P375AF10
10	250	1/4x1-1/4	ABC	P375AP2
10	250	1/4x1-1/4	ABC	P375BC1
10	250	13/32X1-1/2	MIC/MIN	HT2E5150/10-0005
10	250	13/32x1-1/2	MIC/MIN	P375AW2
10	250	9/16X2	OT	375H10
10	250	9/16x2	FRN	375Y10
10	600	13/16x5	OTS	375J10
10	600	13/16X5	FRS	375W10
10	600	13/32X1-1/2	KTK	P375AT3
15	32	1/4x1-1/4	AGC	P375AL2
15	65			P375AZ1
15	65			UPG-6-4-52-153-M-01
15	125		2012A	P630B4
15	250	13/32X1-1/2	MIC/MIN	HT2E5150/10-0006
15	250	9/16x2	OT	375H15
15	250	9/16X2	FRN	375Y15
15	300	17/32x2	Form 101	HT2E5150/07-0002
15	600	13/16X5	FRS	375W15
15	600	13/16x5	OTS	375J15
20	250	9/16x2	OT	375H20
20	250	9/16X2	FRN	375Y20
20	250	9/16x2	KTN	P375AS4
20	600	13/16X5	FRS	375W20
20	600	13/16x5	OTS	375J20
25	125	1/4x1-1/4	ABC	P375AP1
25	250	17/32X2	Form 101	HT2E5150/07-0003
25	250	9/16X2	FRN	375Y25
25	250	9/16x2	OT	375H25
25	600	13/16X25	FRS	375W25
25	600	13/16x5	OTS	375J25
30	250	9/16x2	OT	375H30
30	250	9/16X2	FRN	375Y30
30	250	9/16x2	KTN	P375AS2

SPL 10-375E - Fuses Fuseholders Circuit Breakers

Amps	Volts	Size	PART TYPE (SYMBOL)	OTIS PART NO.
30	600	13/16x5	OTS	375J30
30	600	13/16X5	FRS	375W30
30	600	13/16x5	TRS	LA5P17-0019
30	600	13/16X5	FRS	RBFRS30
30	600	13/32X1-1/2	KTK	P375AT4
35	250	13/16X3	FRN	375Y35
35	250	13/16x3	KTN	P375AS7
35	600	13/16x4-3/8	Form 101	P375AE35
40	250	13/16x3	OT	375H40
40	250	13/16x3	FRN	375Y40
40	250	13/16X3	FRN	FRN40
40	600	1-1/16X5-1/2	FRS	375W40
40	600	1-1/16X5-1/2	KTS	P375AS8
40	600	1-1/16x5-1/2	OTS	P375AY1
40	600	1-11/16x5-1/2	NOS	P375AR6
40	600	13/16x5	OTS	375J40
45	250	9/16x2	FRN	P375Y45
46	120	.158X2-17/32	MISC.	P375AN1
50	250	13/16x3	OT	375H50
50	250	13/16x3	FRN	375Y50
50	250	13/16x3	KTN	P375AS5
50	600	1-1/16x5-1/2	OTS	375J50
50	600	1-1/16X5-1/2	FRS	375W50
60	250	13/16x3	OT	375H60
60	250	13/16x3	FRN	375Y60
60	600	1-1/16x5-1/2	OTS	375J60
60	600	1-1/16X5-1/2	FRS	375W60
60	600	1-1/16x5-1/2	NOS	P375AR1
70	250	1x5-7/8	FRN	P375Y70
70	600	1-5/16x7-7/8	OTS	P375AY2
80	600	1-1/4x7-7/8	NOS	P375AR2
80	600	1-5/16x7-7/8	OTS	P375AY3
90	600	1-1/4x7-7/8	NOS	P375AR3
100	125		81GJ	P630C1
100	250	1-7/32x3-1/8	KAX	P375AX1
100	250	1x5-7/8	FRN	P375Y100
100	600	1-3/4x9-5/8	NOS	P375AR4
100	1,000	1-5/32X5	Form 101	LA5P17-0236
110	600	1-3/4x9-5/8	NOS	P375AR5

**SPL 10-375E - Fuses Fuseholders Circuit Breakers**

Page 29

<b>Amps</b>	<b>Volts</b>	<b>Size</b>	<b>PART TYPE (SYMBOL)</b>	<b>OTIS PART NO.</b>
125	600	1-13/16x9-5/8	OTS	P375AY4
125	700	1-1/2x5-3/32	Form 101	P375AV1
150	125		81GJ	P630C2
150	250	1-7/32x3-1/8	KAX	P375AX2
150	700	1-1/2x5-3/32	Form 101	P375AV2
175	700	1-1/2x5-3/32	Form 101	P375AV3
200	125		81GJ	P630C3
200	250	1-7/32x3-1/8	KAX	P375AX3
200	500	1-7/32X3-19/32	Form 101	RBA50P200
200	700	1-1/2	Form 101	P375AV4
250	500	1-1/2X4-11/32	Form 101	LA5P17-0231
250	500	1-1/2x4-11/32	Form 101	RBA50P250
250	700	2x5-3/32	Form 101	P375AV5
300	500	1-1/2X4-11/32	Form 101	RBA50P300
300	700	2x5-3/32	Form 101	P375AV6
350	500	1-1/2X4-11/32	Form 101	LA5P17-0233
350	500	1-1/2X4-11/32	Form 101	RBA50P350
400	500	1-1/2X4-11/32	Form 101	RBA50P400
400	700	2x5	Form 101	LA5P17-0234
400	700	2x5-3/32	Form 101	P375AV7
500	500	1-1/2X4-11/32	Form 101	RBA50P500
500	700	2-1/2X7	Form 101	LA5P17-0235