

**Elevonic® 101/401
Ward-Leonard Starter**

**Spare Parts Leaflet
10-6991F**

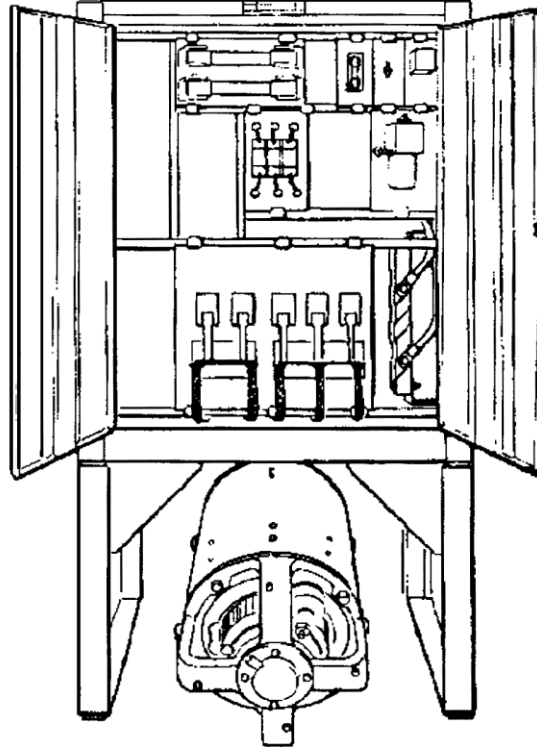
September 21, 2022 / Page 1 of 10

OBSOLESCENCE NOTICE

The product covered in this SPL has been designated as obsolete and is no longer supported. See TIP 32.2-1, *Obsolete Components*, for potential upgrade. Replacement lower-level parts listed within and unique to this design will be reviewed for obsolescence.

10	6991F	
Y	VINTAGE	Y 01
REV	EN	

10	6991F	
Y	VINTAGE	Y 02
REV	EN	



This document does not contain any technical data subject to EAR or ITAR

**SERVICE ENGINEERING
Otis Elevator Company
Bloomfield, Connecticut USA**

Unpublished Work—© Otis Elevator Co.; 2022

Leaflet Description

This equipment originally appeared under drawing identity HT201800-1, -2, -3.

Leaflet Revisions

Date Revised	Subject Matter Expert	Reason for Revision
April 1, 1986	Jeff Costley (Technical Writer)	New SPL
March 1, 1994	Jeff Costley (Technical Writer)	Update
September 28, 2009	Matt Fournier	p.5 update reverse phase relay part numbers and picture. Update layout.
September 21, 2022	Juan Murillo	Updated to include OBSOLESCENCE note on cover

Related Drawings

Drawing No.	Title	Drawing No.	Title
6991F	Assembly and Arrangement, Elevonic Starter Controller		

Related Documents

Document ID	Title
SPL 10-375E	Controller Part, Fuses, Fuse holders, Circuit Breakers
SPL 10-KYE6830A, B	Type KYE6830 Switches
SPL 10-KYE6744A, B	Type KYE6744 Switches
SPL C-955	Switch, Magnet 6520

Subject Matter Expert

Name	Department
Matt Fournier	OSC Electrical Engineering

About Spare Parts Leaflets...

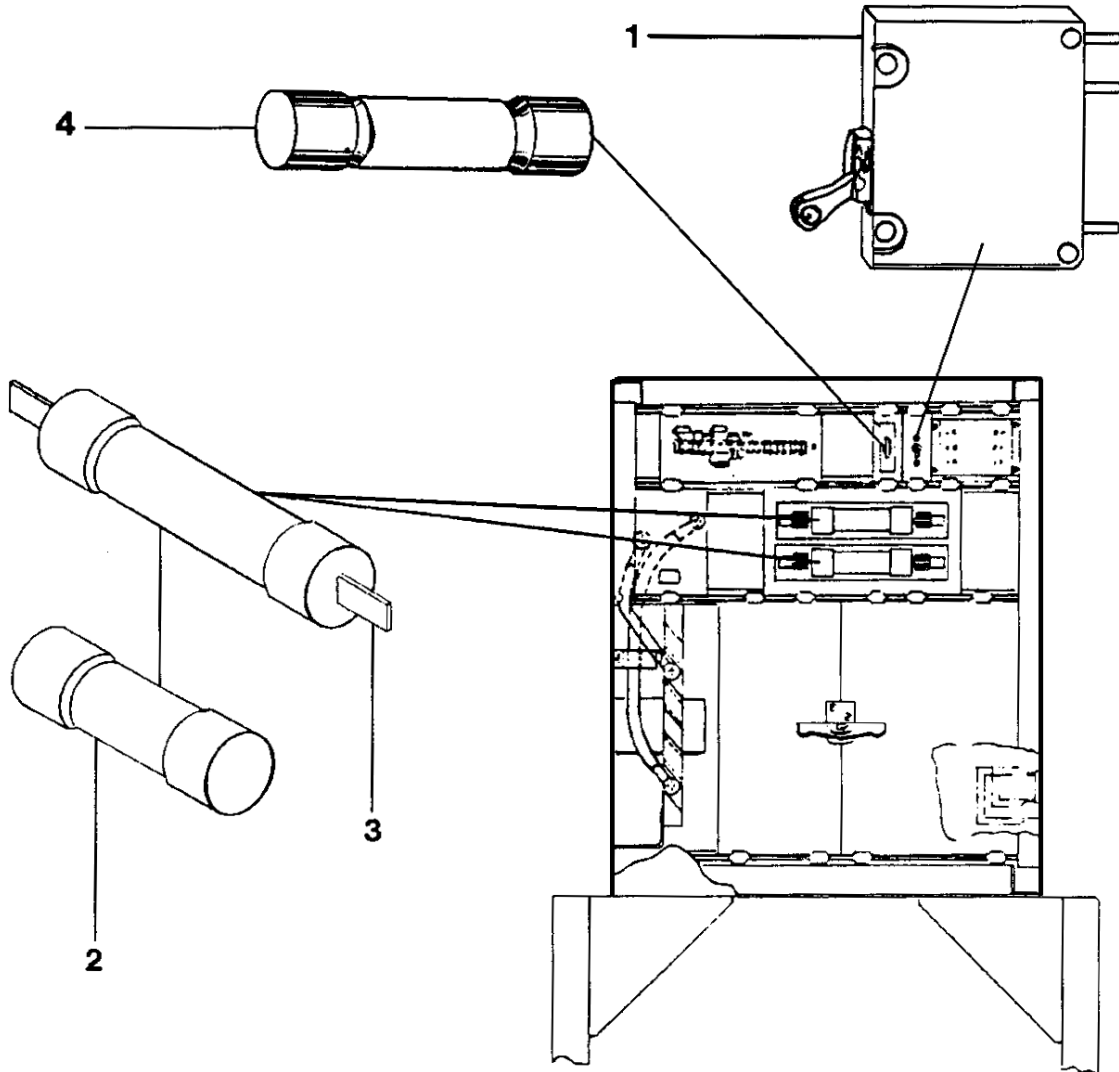
This document lists the lowest replaceable units (LRUs) for the standard version of the product. The LRUs are chosen by a team of Otis associates representing engineering and manufacturing.



While goal of this document is to make parts identification as easy as possible, the document cannot be all-inclusive. Elevator and escalator contracts classified as “special” or “custom” are not addressed here. For such contracts, please refer to specified information, the contract folder, TIPs, Field Education Articles, Construction Letters, etc. for further information.

If you have any suggestions about this document, please contact the subject matter expert listed on this page.

Fuses

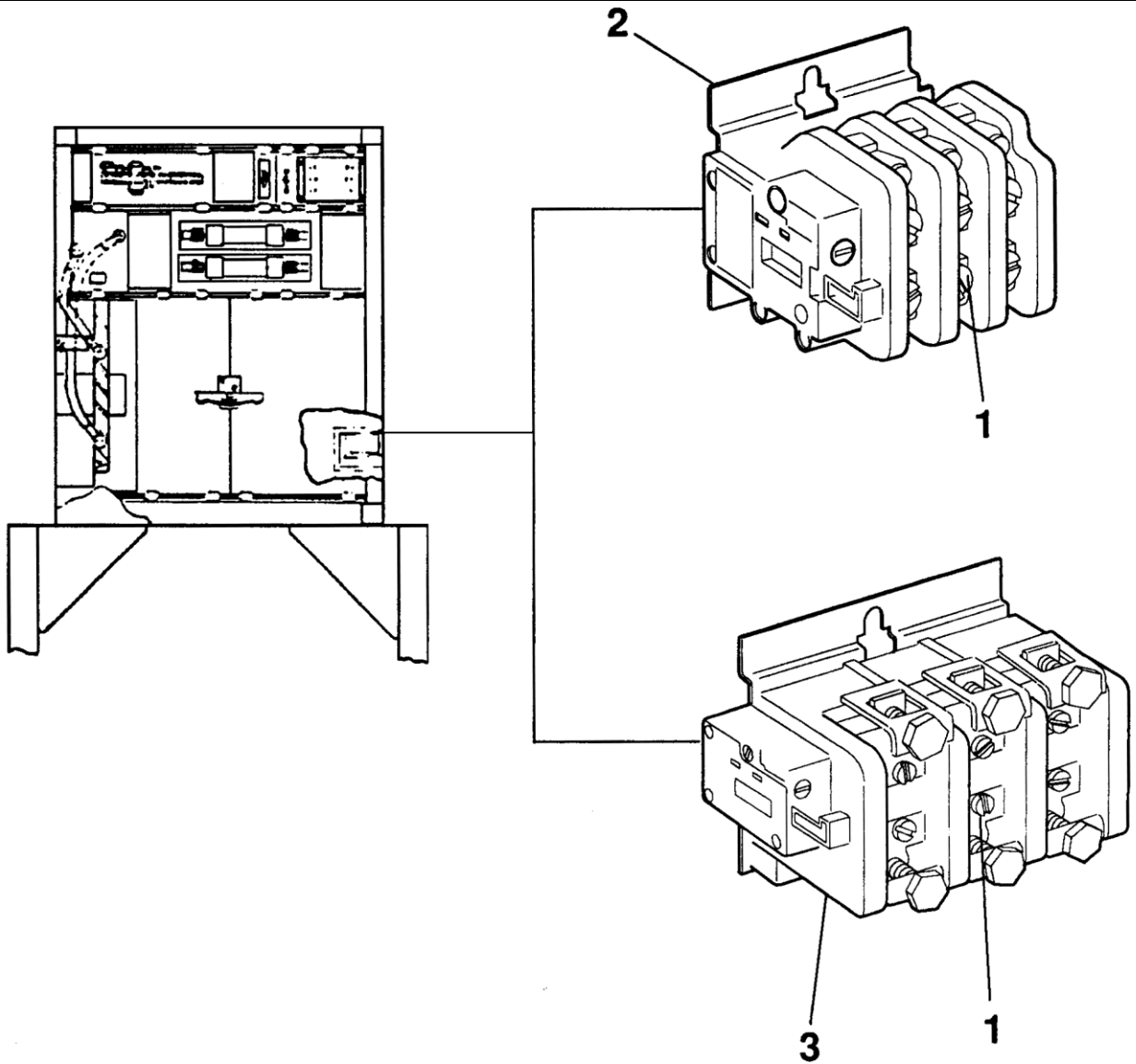
10-6991F



W/O & VINTAGE Y 01, Y 02	W/O VINTAGE
 N.A.O.	 1984, H.T.S.

REF. No.	PART OR ML	DESCRIPTION	SYMBOL
1	P375AZ1 ← → UPG-6-4-52-153-M-01	Circuit Breaker	GFP
2	P375AY4 325J40 ← → OTS40	Fuse, 40 A	F1S F2S
3	P375AY2 ← → OTS70	Fuse, 70 A	
	P375AY3 ← → OTS80	Fuse, 80 A	
	P375AY4 ← → OTS125	Fuse, 125 A	
4	P375AT4 AAA375BG25 ← → KTK30	Fuse, 30 A	F3S

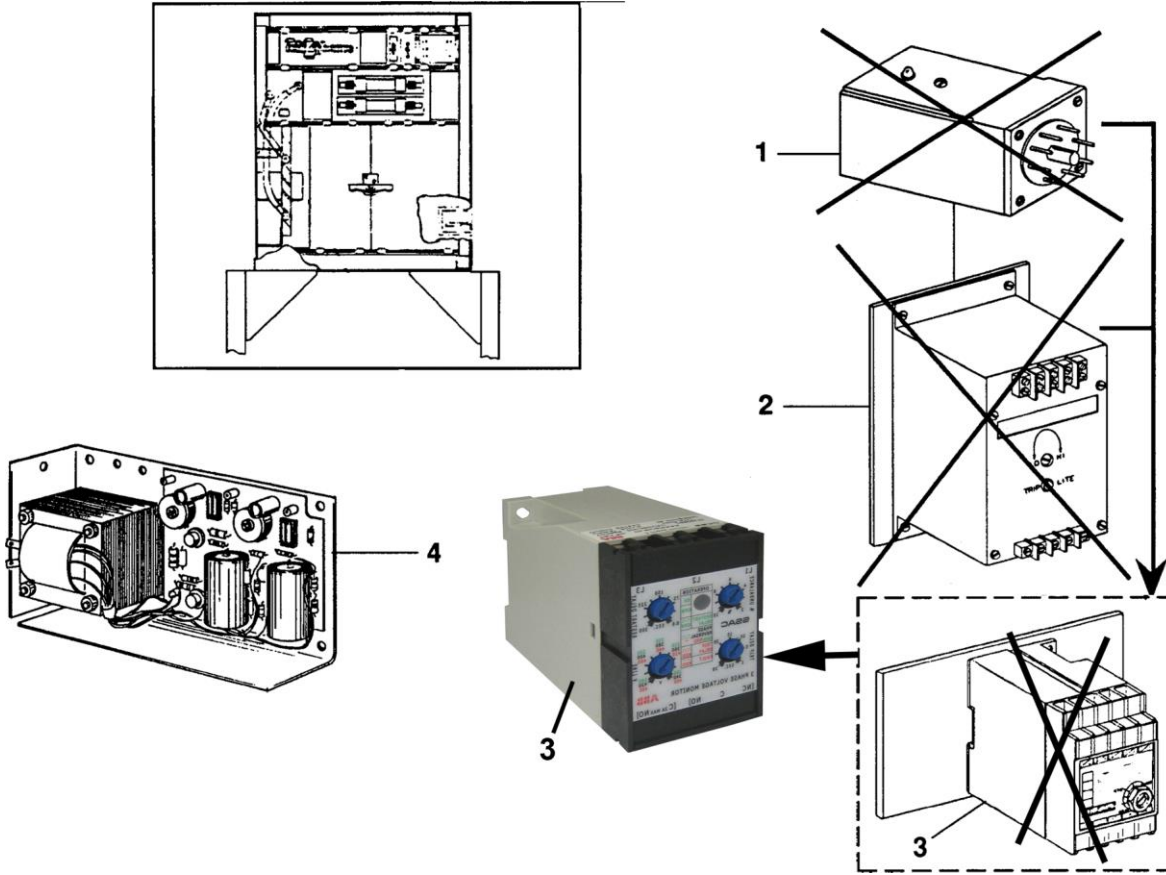
Overload Relay




W/O & VINTAGE Y01, Y02					
REF. No.	PART OR ML	DESCRIPTION		SYMBOL	
1	---	Type 232AP, Type 232AR Heater Elements 👁 SPL 10-232AP		---	
2	6315Y1	Relay, Overload	VOLTS		P1A
			≤ 300	> 300	
			HP		
			≤ 36	≤ 48	
3	6315Y5		37-100	49-125	
	6315Y10		101-150	126-200	

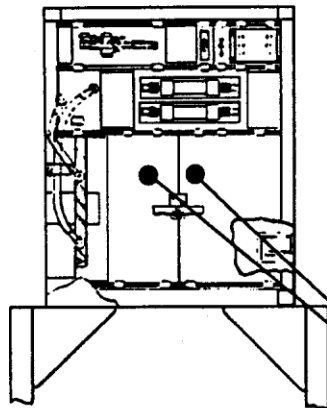
Reverse Phase Relay

10-6991F

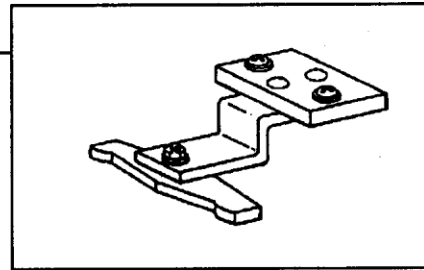


VINTAGE		
W/O  HTS	W/O & Y01  NAO	Y02  NAO

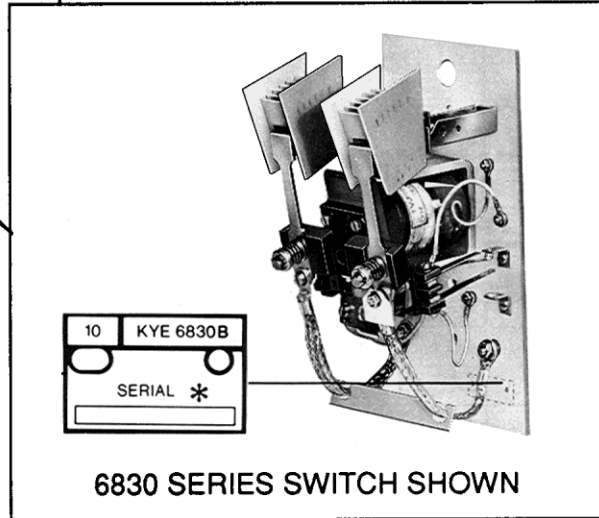
REF. NO.	PART OR ML			DESCRIPTION	VOLTS	SYMBOL
	1	HT201831-1	P613BV1		A6402B1	200-240
	HT201832-1	P613BV2	A6402B2	346-380		
2	HT201829-1	P613BV3	A6402B3	550-600		
	---	---	A6402B4	380-440		
3	---	---	613BY1 613BY23	200-480		
	---	---	613BY3 613BY23	200-480		
	---	---	613BY5 613BY24	500-600		
	---	---	613BY9 613BY23	200-480		
4	HT201535-1	---	---	Power Supply	---	IPR/A2



2



1



6830 SERIES SWITCH SHOWN

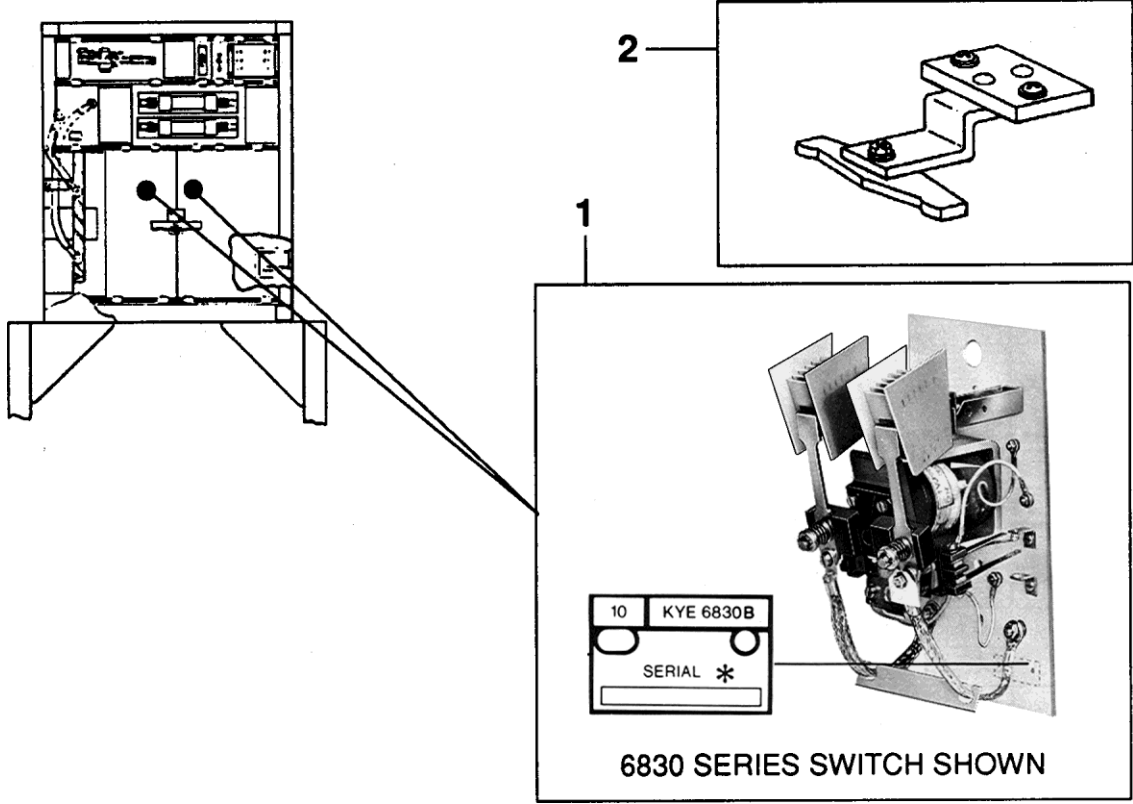
**W/O and VINTAGE
Y01, Y02**

REF. NO.	MG HP/KW	AC LINE VOLTS	SYMBOL	DESCRIPTION	PART OR ML
1	33/20.7, 40/25	200-230	L	Switch	E6744B241-CM1
	47/30	230			
	60/40, 68/46, 90/60, 53/35, 80/53	460-575			
	33/20.7, 47/30 40/25	460-575			E6830B741-CVI
	33/20.7, 40/25	200-230	M		E6744A241-CM1
	47/30	230			
	53/35, 60/40, 68/46, 90/60, 80/53	460-575			
	33/20.7, 47/30, 40/25	460-575			E6830A741-CV1
2	---	---	---	Interlock Used with Type E6744 Switch	A6543B1
	---	---	---	Interlock Used with Type E6830 Switch	6543E1

NOTE: If your switch is not listed in above, it is special. Contact Otis Service Center for part number identification.

L and M Switches (Geared System)

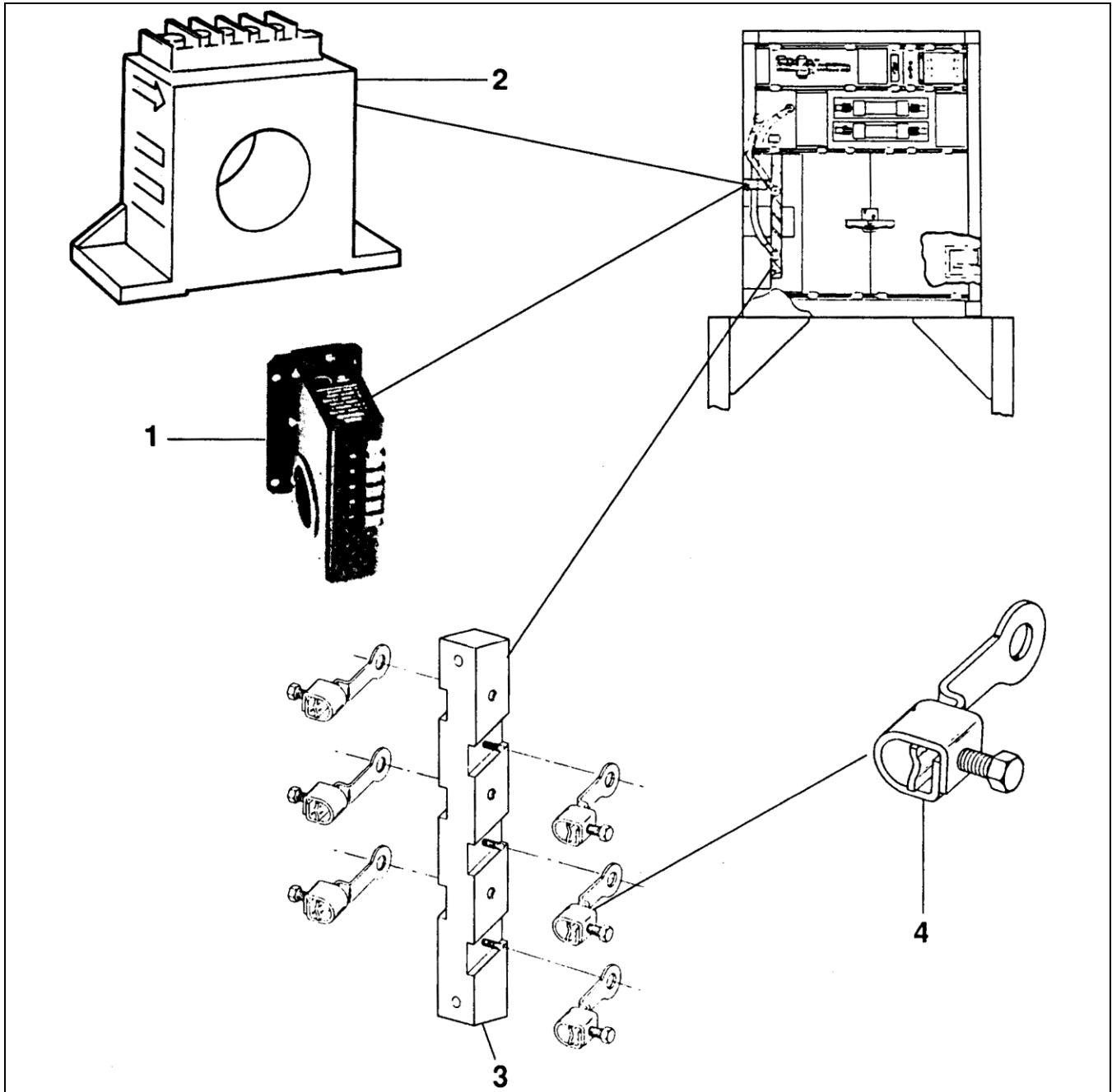
10-6991F



W/O and VINTAGE Y01, Y02					
REF. NO.	MG HP/KW	AC LINE VOLTS	SYMBOL	DESCRIPTION	PART OR ML
	20/12.5	200	L	Switch	E6744B241-CM1
	33/20.7, 38/23, 40/25	200-230			E6830B741-CVI
	20/12.5	230-575			E6744A241-CM1
	33/20.7, 38/23, 40/25	460-575			E6830A741-CV1
	20/12.5	200	M		E6744A241-CM1
	33/20.7, 38/23, 40/25	200-230			E6830A741-CV1
	20/12.5	230-575			E6744A241-CM1
	33/20.7, 38/23, 40/25	460-575			E6830A741-CV1
2	---	---	---	Interlock Used with Type E6744 Switch	A6543B1
	---	---	---	Interlock Used with Type E6830 Switch	6543E1

NOTE: If your switch is not listed in above, it is special. Contact Otis Service Center for part number identification.

Current Probe Sensor

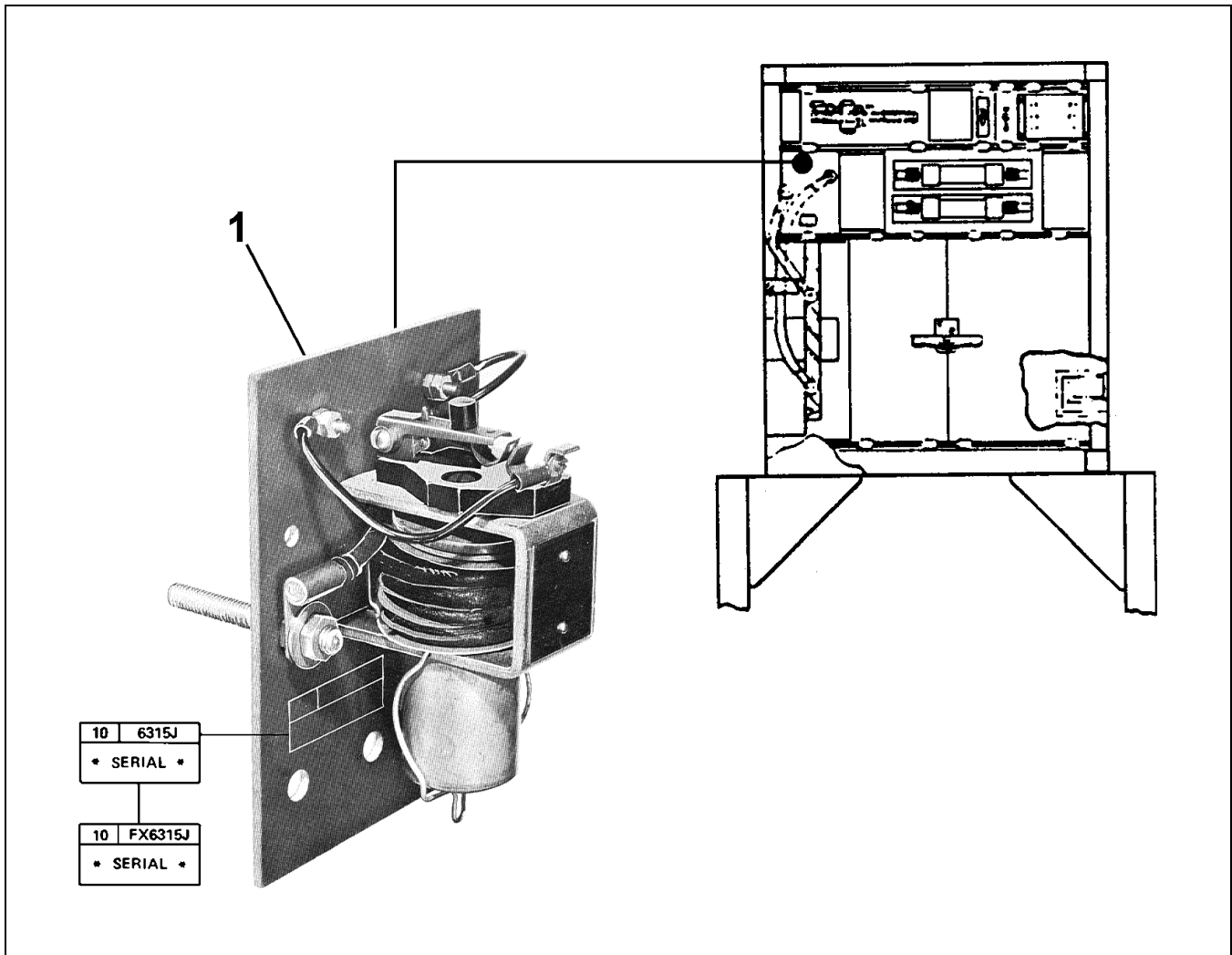


**W/O and VINTAGE
Y01, Y02**

REF. No.	PART No.	DESCRIPTION	SYMBOL
1	HT201503-1	Sensor, Current Probe	IPR/A1
2	P94HA4 AAA622AB2		
3	303T2	Terminal Board	TB1
4	490P4 190P12	Terminal	

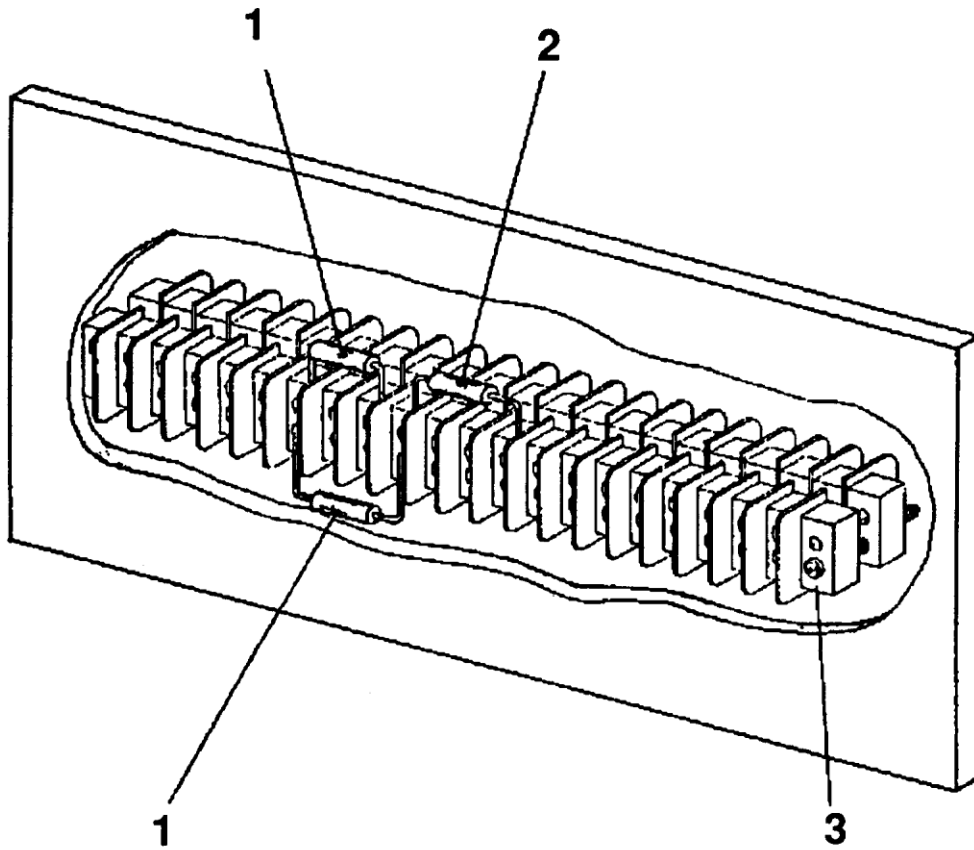
Loop Circuit Protection Relay

10-6991F



W/O and VINTAGE Y01, Y02							
REF. No.	DESCRIPTION	DUTY No.					PART OR ML
1	Relay, Loop Circuit Protection (LCP) See SPL 10-FX6315J	3A	---	---	---	---	6315J1-CG7
		3A	7	11	12	31	6315J1-CG6
		33	---	---	---	---	
		1	2	4	5	6	6315J3-LA10
		7A	10	10A	11A	18	
		18B	19	24	25	38	
		8	9	13	14	15	6315-J3-LA14
		15A	16	17	17A	18A	
		22	22A	23	23A	24A	
		28	29A	30A	32	34	6315J3-LA16
		20	21	26	27	29	
		30	35	36	37	39	
40	41	42	---	---			

Terminal Board



W/O and VINTAGE Y01, Y02					
REF. No.	PART No.	DESCRIPTION	OHMS	MACHINE	SYMBOL
1	P232DE39	Resistor	124K	---	R4 R5
2	P232FA1	Resistor	4.8K	219HT	R8
	P232FA2		6.34K	219HT(SP)	
	P232FA3		7.87K	155HT	
	P232FA4		9.76K	131HT	
3	P303CG1	Terminal Board	---	---	---