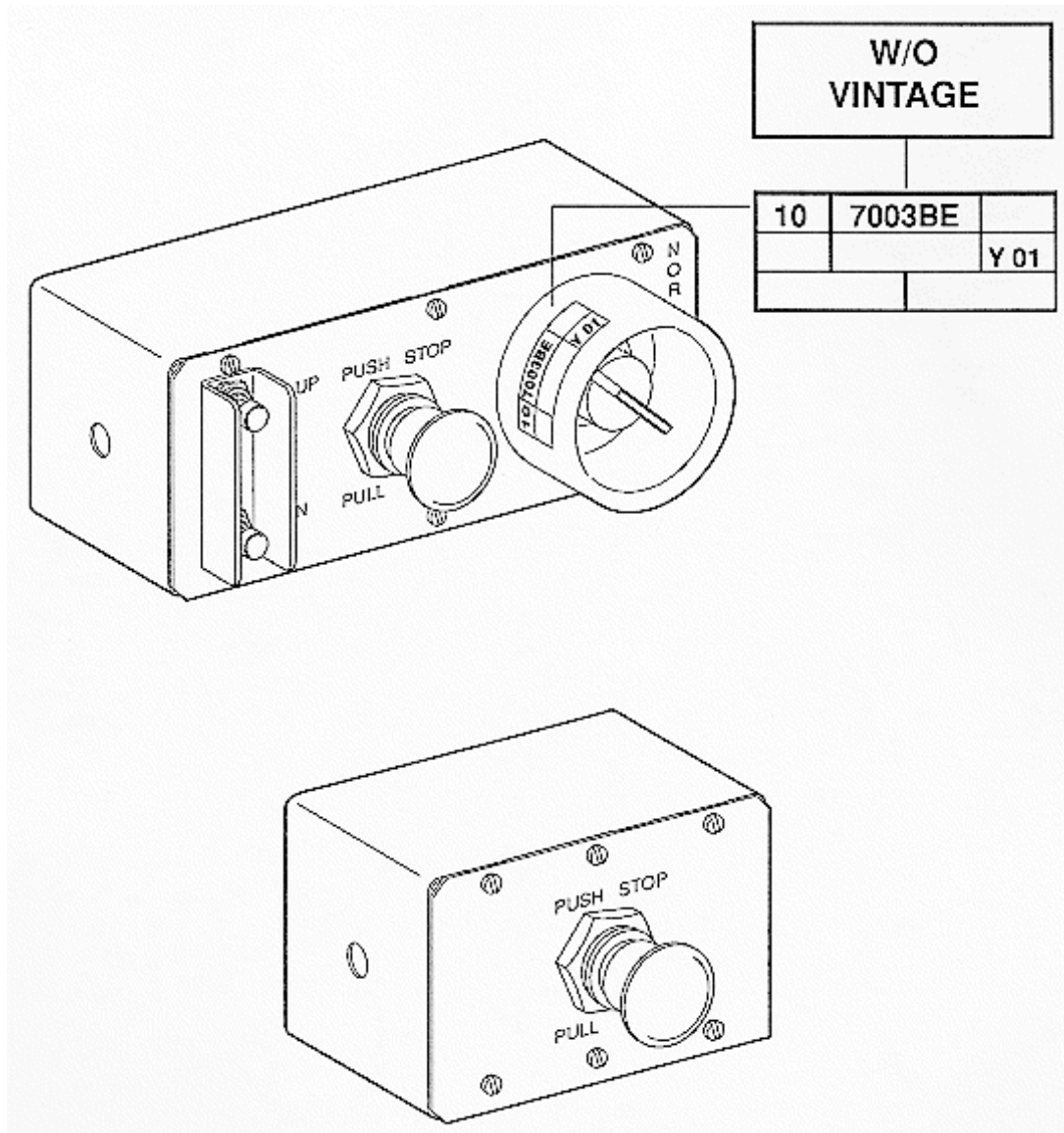


SPL 10-7003BE - Top Of Car, Emergency Stop/inspection Or Pit Switch

Unpublished Work - © Otis Elevator Company. Any unauthorized reproduction, disclosure, or distribution of copies or content by any person of any portion of this work may be a violation of Copyright Law of the United States of America. All rights reserved.

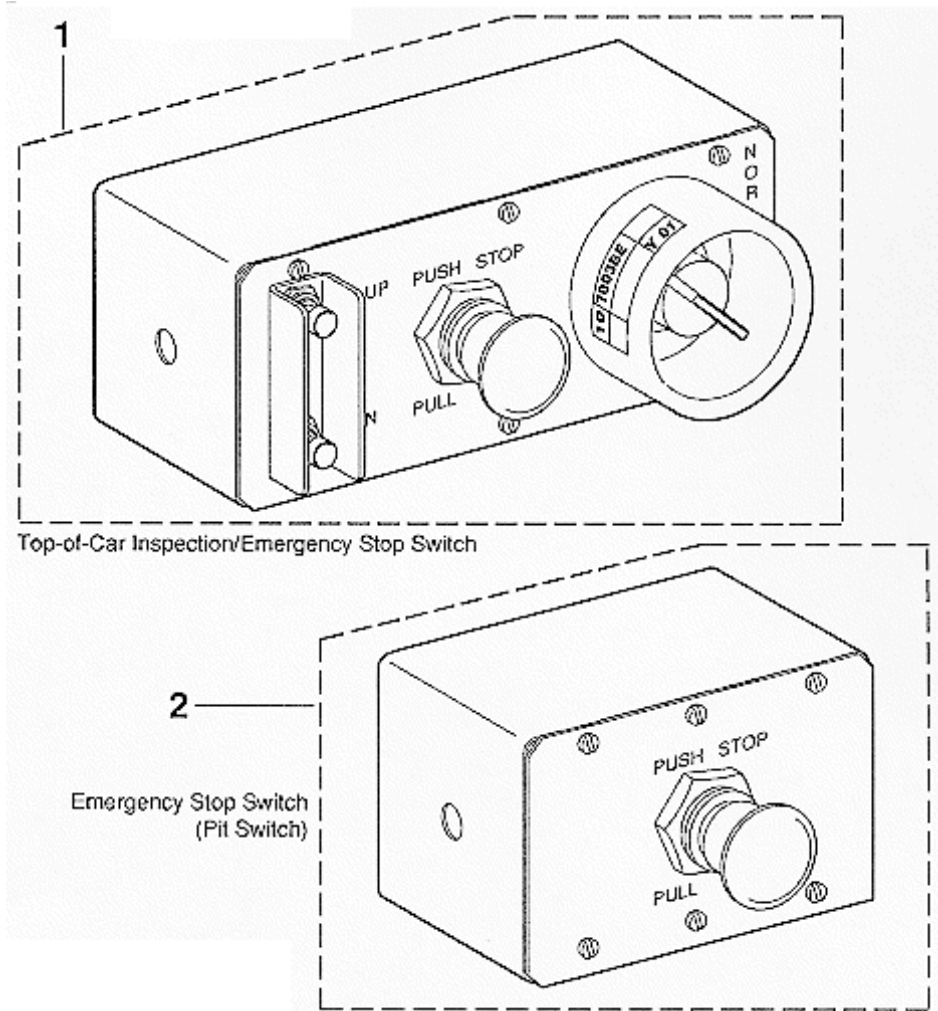
April 1993

Page 1



SPL 10-7003BE - Top Of Car, Emergency Stop/inspection Or Pit Switch

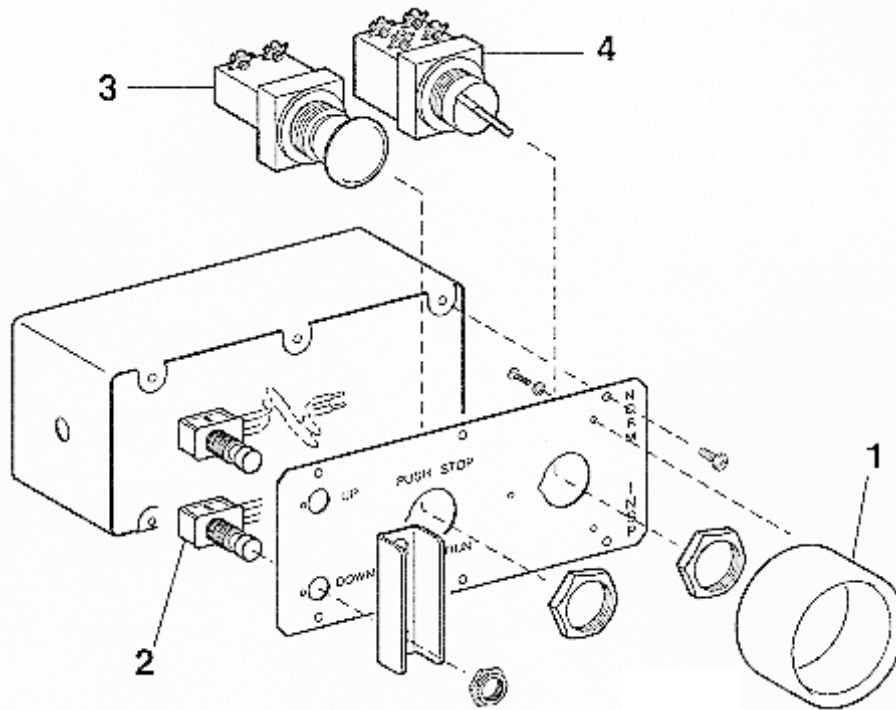
Page 2



REF. No.	PART OR ML	DESCRIPTION	SWITCH CONTACTS	
			INSPCTION	EMERG. STOP
1	7003BE1	Assembly, Top-of-Car Inspection/Emergency Stop	1-NO, 1-NC	1-NC
	7003BE2	Assembly, Top-of-Car Inspection/Emergency Stop	2-NO, 2-NC	1-NC
	7003BE4	Assembly, Top-of-Car Inspection/Emergency Stop	2-NO, 2-NC	1-NO, 1-NC
	7003BE5	Assembly, Top-of-Car Inspection/Emergency Stop	1-NO, 3-NC	1-NC
2	7003BE3	Assembly, Emergency stop		1-NC

SPL 10-7003BE - Top Of Car, Emergency Stop/inspection Or Pit Switch

Page 3



REF. No.	Without VINTAGE & VINTAGE Y 01 PART OR ML	DESCRIPTION
1	384VY1	Guard
2	P177BX1	Switch, Concave Button, 0.75A, 125VDC, 2-Leads
	AAA00177AAC002	Switch, Momentary Contact, Normally Open, Double-Pole, Single-Throw, 4-Leads,
	AAA00177AAC004	Switch, Momentary Contact, Double-Pole, Double Throw, 6-Leads
3	177DE1	Switch, Push-Pull Mushroom, 1-NC Contact
	177DE4	Switch, Push-Pull Mushroom, 1-NO, 1-NC Contact
4	177DE2	Switch, 2-Position Lever, 1-NO, 1-NC Contact
	177DE3	Switch, 2-Position Lever, 2-NO, 2-NC Contacts
	177DE5	Switch, 2-Position Lever, 1-NO, 3-NC Contacts