

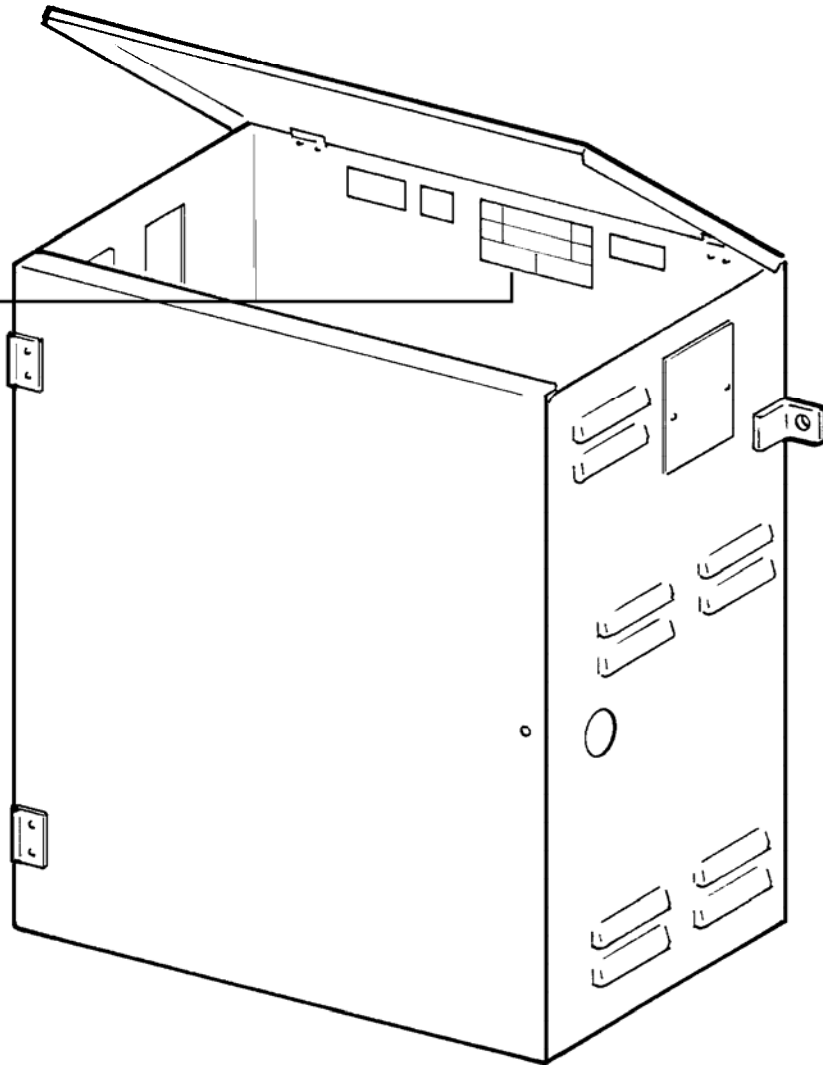
LRV5 and LRV5L Controller

Spare Parts Leaflet

10-7900AT

September 23, 2009 / Page 1 of 11

10	7900AT	
Y	VINTAGE	Y 01
EN	REV	



Unpublished Work—© Otis Elevator Co.; 2009

OTIS

Safety First!

SERVICE ENGINEERING
Otis Elevator Company
Bloomfield, Connecticut USA

Leaflet Description

This leaflet identifies the lowest replaceable units (LRU) for the LRV5 and LRV5L controller.

Leaflet Revisions

Date Revised	Subject Matter Expert	Reason for Revision
July 1997	Jeffrey S. Costley (Senior Technical Analyst)	New SPL
September 28, 2006	John Dwyer	Update starter part numbers
July 7, 2009	Matt Fournier	Updated p/ns in ref. 1 on p. 7
September 23, 2009	Matt Fournier	Updated artwork for p/ns in ref. 1 on p. 7

Related Drawings

Drawing No.	Title	Drawing No.	Title
7900AT	LRV5, LRV5L Controller	---	---
---	---	---	---

Related Documents

Document ID	Title
---	---
---	---

Subject Matter Expert

Name	Department
Matt Fournier	OSC Electrical Engineering

About Spare Parts Leaflets...

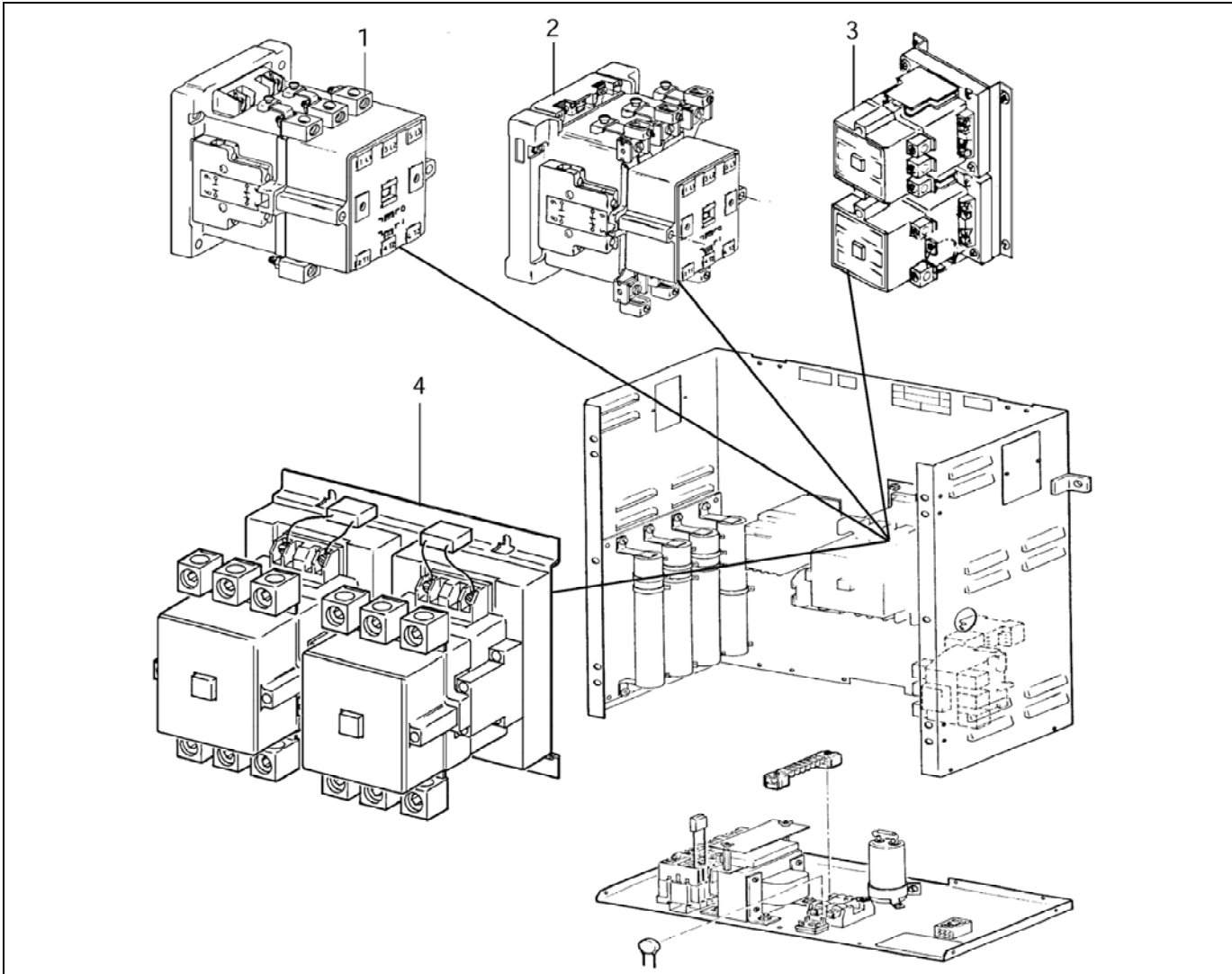
This document lists the lowest replaceable units (LRUs) for the standard version of the product. The LRUs are chosen by a team of Otis associates representing engineering and manufacturing.

While goal of this document is to make parts identification as easy as possible, the document cannot be all-inclusive. Elevator and escalator contracts classified as "special" or "custom" are not addressed here. For such contracts, please refer to specified information, the contract folder, TIPS, Field Education Articles, Construction Letters, etc. for further information.


If you have any suggestions about this document, please contact the subject matter expert listed on this page.

Starters

10-7900AT

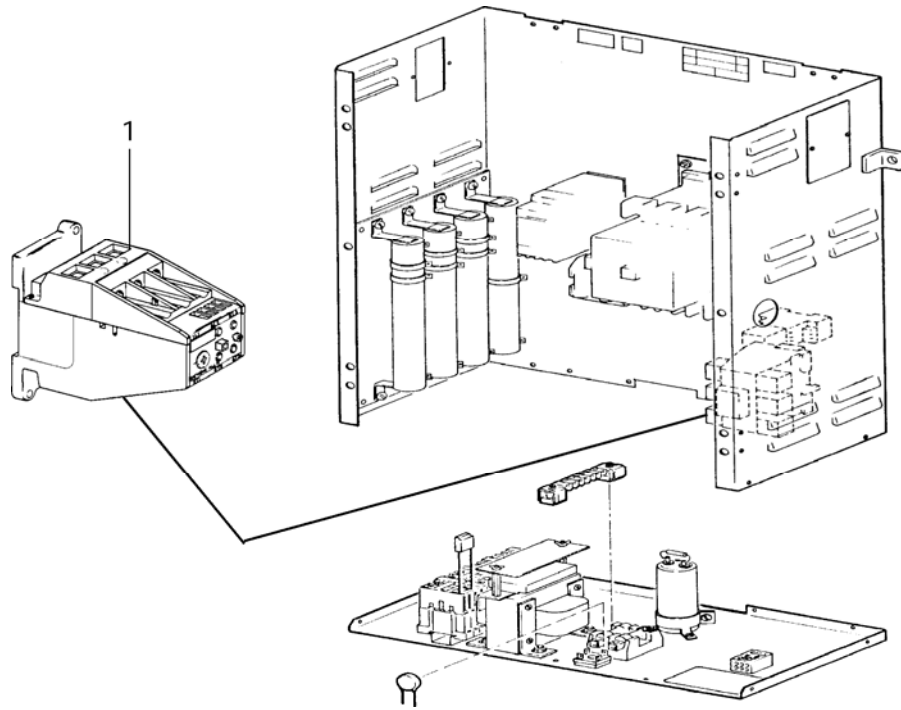


VINTAGE Y 01

REF. No.	PART No.	DESCRIPTION					
		SYMBOL	NEMA	MOTOR CONNECTION	VOLTS		
1	7151F2-SA AAA638A110	Starter	PMC	3	Across Line	200-240	SPL
2	7151D4 AAA638R107		2	Across Line	440-600		
3	7151AB4 AAA638W107		LC-MC	2	Y/ DELTA	440-600	10-7151A
	7151AD2 AAA638D107			3	Y/ DELTA	200-240	
4	AAA07151AAA002 AAA638F107		4			200-240	Detail

10-7900AT

Overload Relay

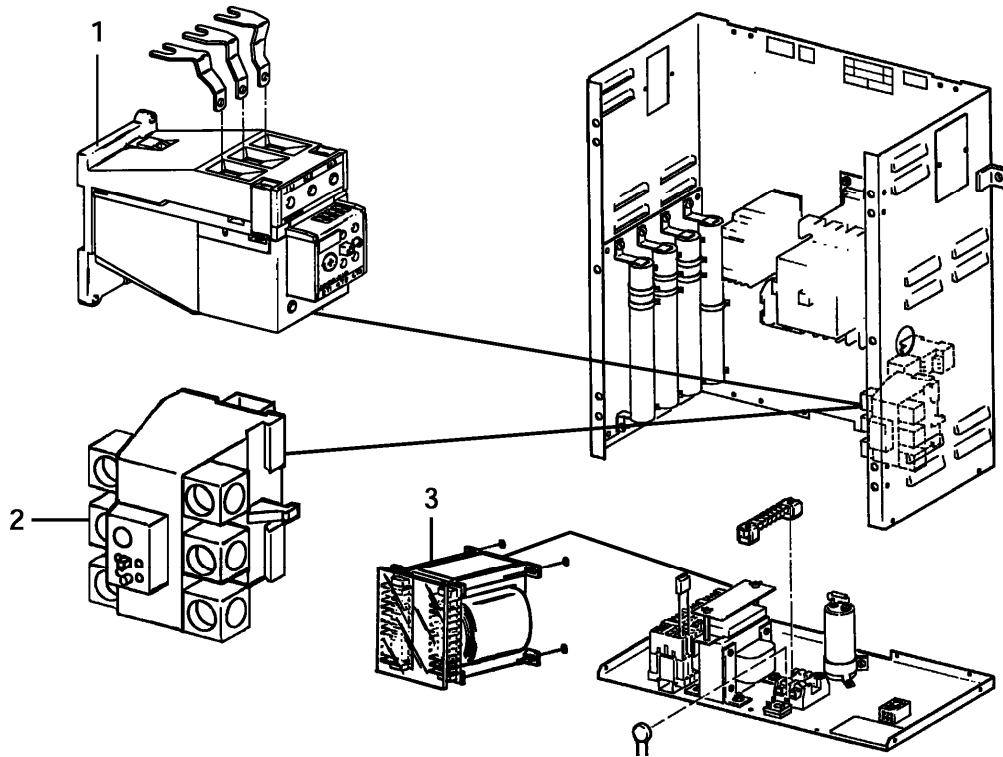


VINTAGE Y 01

REF. No.	PART No.	DESCRIPTION	H. P.	VOLTS	SETTING (AMPS)
1	613BP8	Relay, Overload (PTO)	15	460	13
			15	575	11
			20	575	13
	613BP10		20	460	22
			25	460	26
			25	575	22
	613BP11		30	460	27
			30	575	22
			15	200	40
			15	230	36
			20	230	42
			40	460	40
			40	575	35
			50	575	40

Transformer (TRFM)

10-7900AT

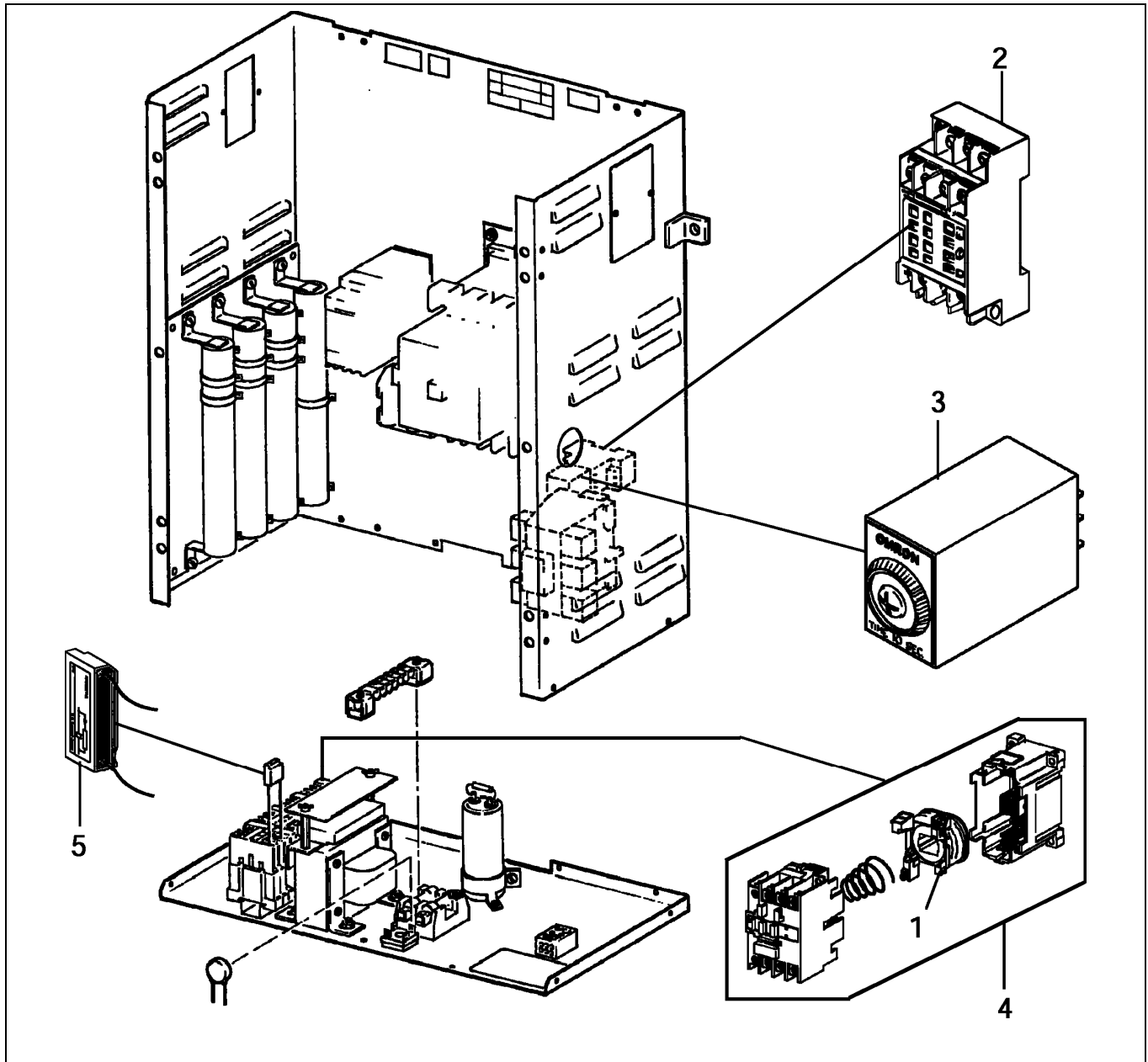


VINTAGE Y 01

REF. No.	PART No.	DESCRIPTION	H. P.	VOLTS	SETTING (AMPS)
1	613BP12 AAA630W1 AAA660C1	Relay, Overload (PTO)	20	200	42
			25	200	50
			25	230	44
			30	200	50
			30	230	45
			50	460	42
2	613CE1		40	200	70
			40	230	65
	50		230	70	
	50		200	82	
3	235DE1 235DE2 235DE3	Transformer (TRFM)	PRIMARY VOLTS		SECONDARY VOLTS
			200-240		120/115/
			440-480		105/21.2/
			550-600		75/80

DOR, DCR Relay

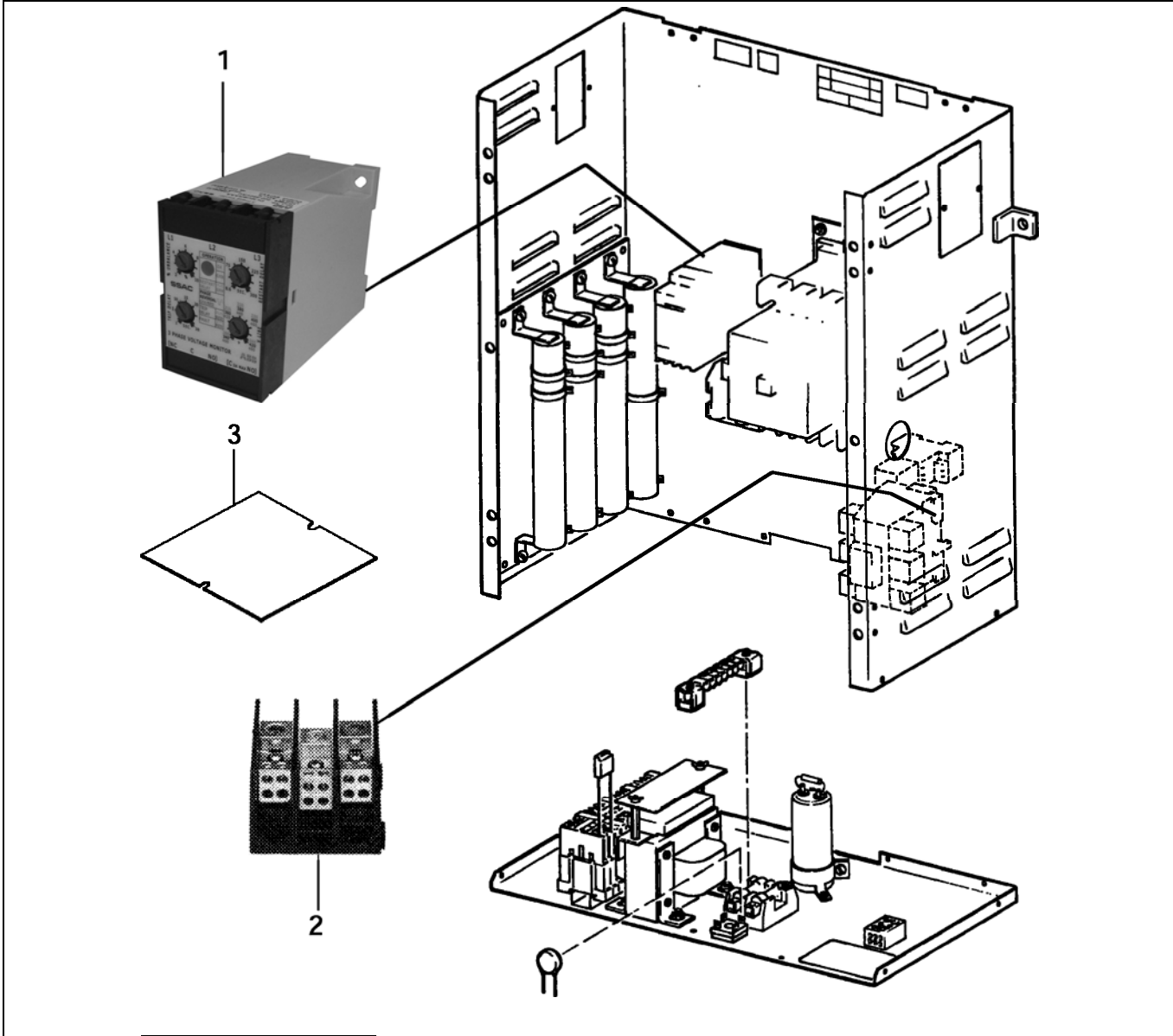
10-7900AT



VINTAGE Y 01				
REF. No.	PART No.	DESCRIPTION	SYMBOL	REMARKS
1	613BX/22-122-304-120AC	Coil, 120 VAC	---	
2	P618Y1	Relay Socket	T	
3	P613AY8	Relay Timer	T	
4	613BX4	Relay, 120 VAC, 2 NO, 2 NC	HES, CSA	
	613BX13	Relay, 120 VAC, 3 NO, 1 NC	DOR, DCR	
5	605T2	Suppressor, Transient	---	1 Per 613BX Relay

Reverse Phase Relay

10-7900AT

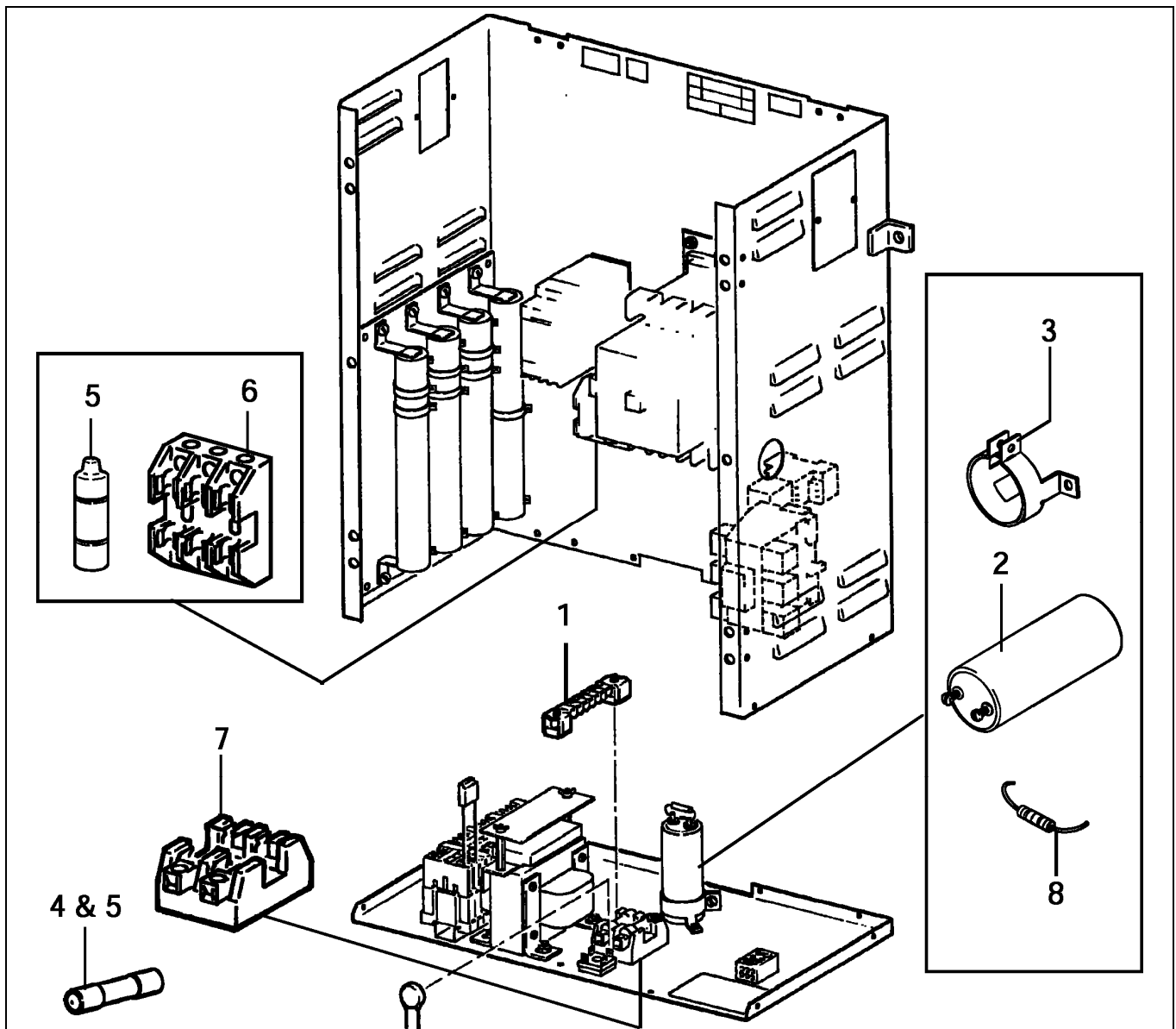


VINTAGE Y 01

REF. No.	PART No.	DESCRIPTION	SYMBOL	REMARKS
1	613BY4 613BY23	Reverse Phase Relay	RPR	200-480 V
	613BY3 613BY23			200-480 V
	613BY5 613BY24			500-600 V
2	303DH1	Terminal Block 2.87 x 1.13	PTB	1-Line, 4-Load Terminals
	AAA00303DM1	Terminal Block 2.87 x 2.75	PTB	1-Line, 4-Load Terminals
3	AAA00303DM2	Cover, Terminal Block	---	---

10-7900AT

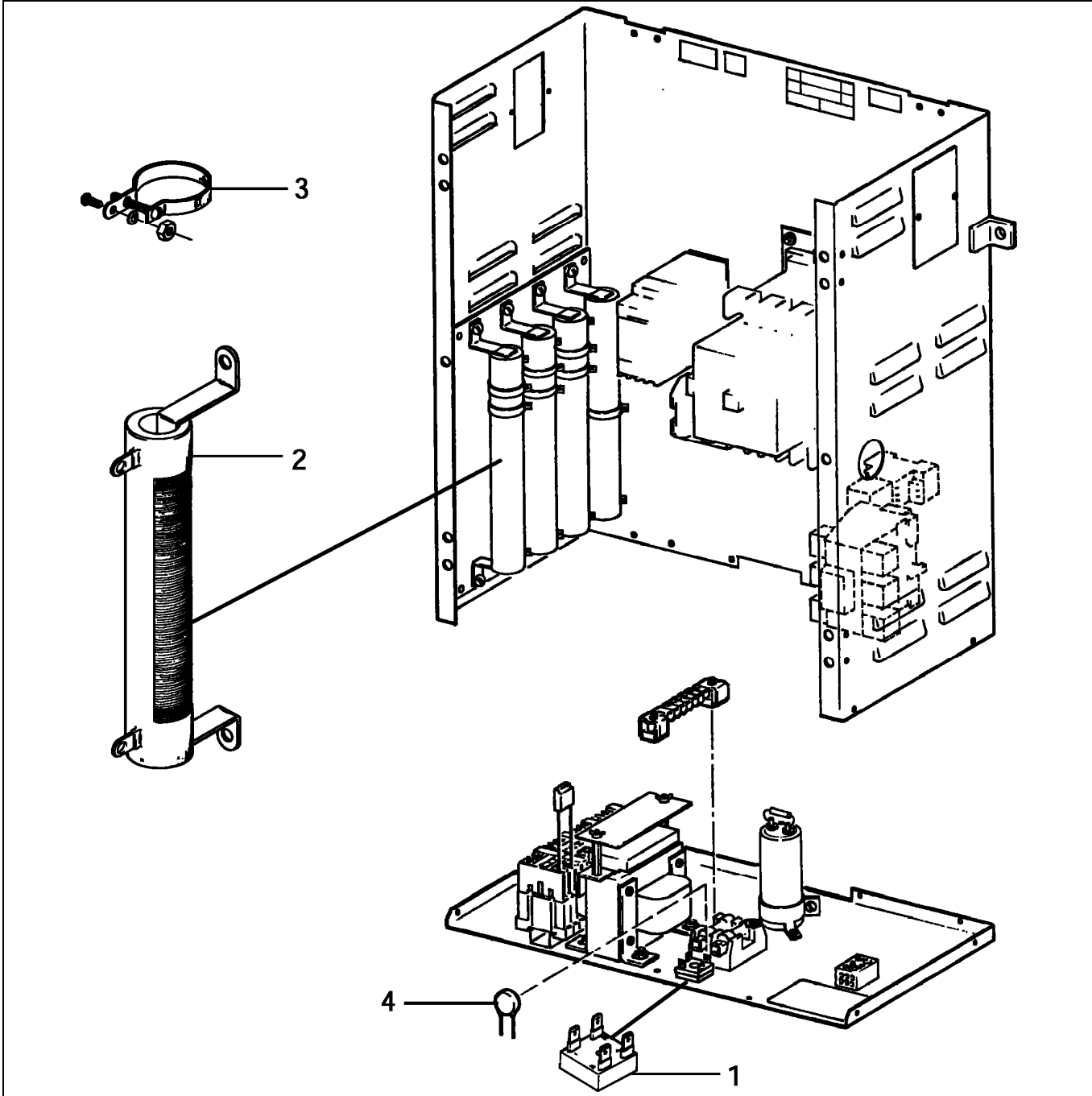
Capacitor and Fuses



VINTAGE Y 01		
REF. No.	PART No.	DESCRIPTION
1	252W2	Bar, Bus
2	P226DA5	Capacitor (C) 2 K Microfarad
3	P336JP4	Clamp, Capacitor
4	375Y3	Fuse (F1, F2) 3 A, 250 V
5	AAA00375AAA001	Fuse, Reject, 4 A, 600 V
6	180CP1	Fuse Holder
7	P180BP1	Fuse Holder
8	232T17	Resistor (R) 75 K Ohms, 2 W

Resistors

10-7900AT

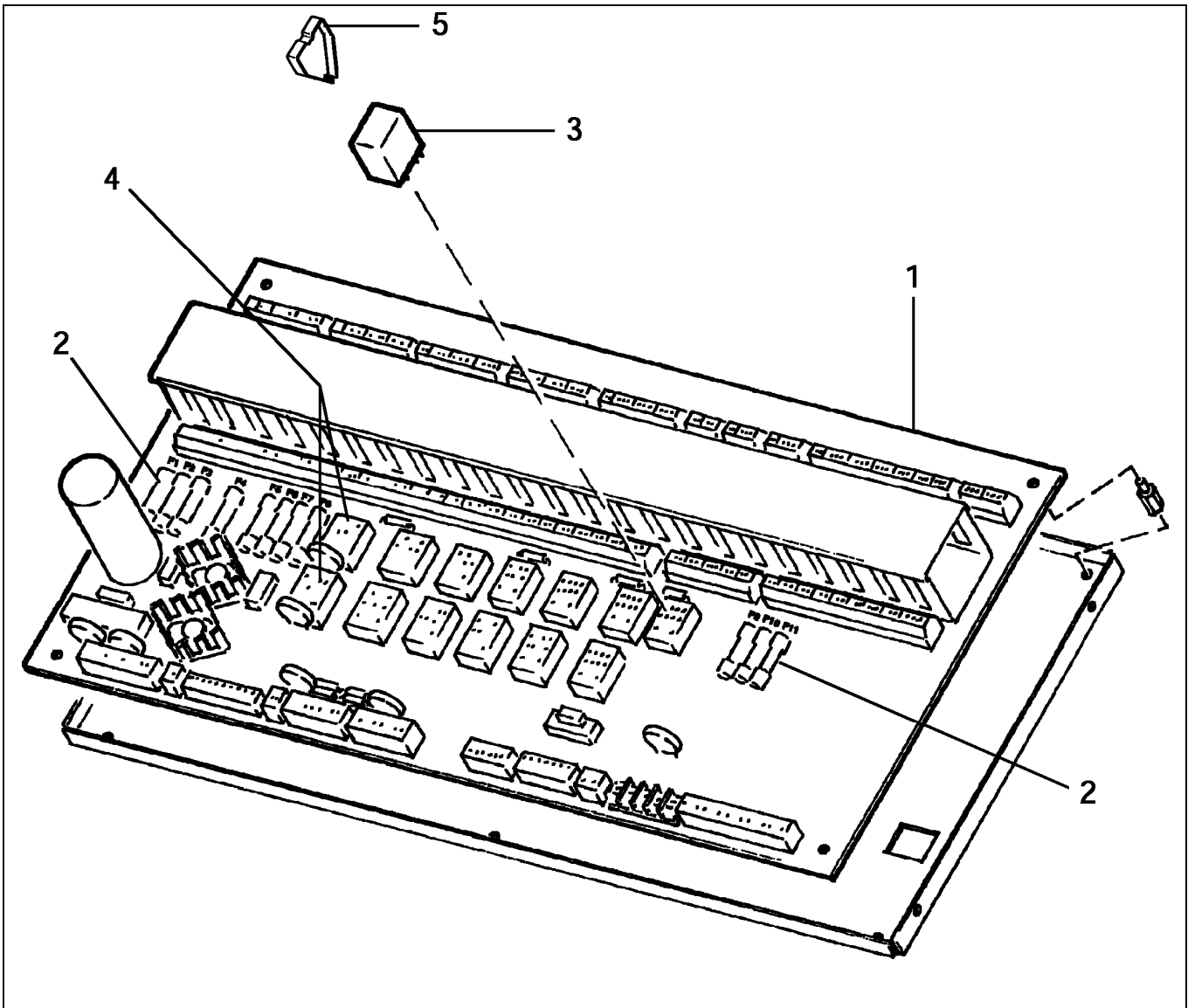


VINTAGE Y 01

REF. No.	PART No.	DESCRIPTION
1	P230BP2	Rectifier (DRF)
2	P232BJ2	Resistor, 250 Ohms, 225 W (R1 R2, R3, R4)
	P232BJ5	Resistor, 50 Ohms, 225 W (R2, R3, R4)
3	P190AR1	Resistor Band
4	604F1	Suppressor (SUP1)

Controller Interface PCB

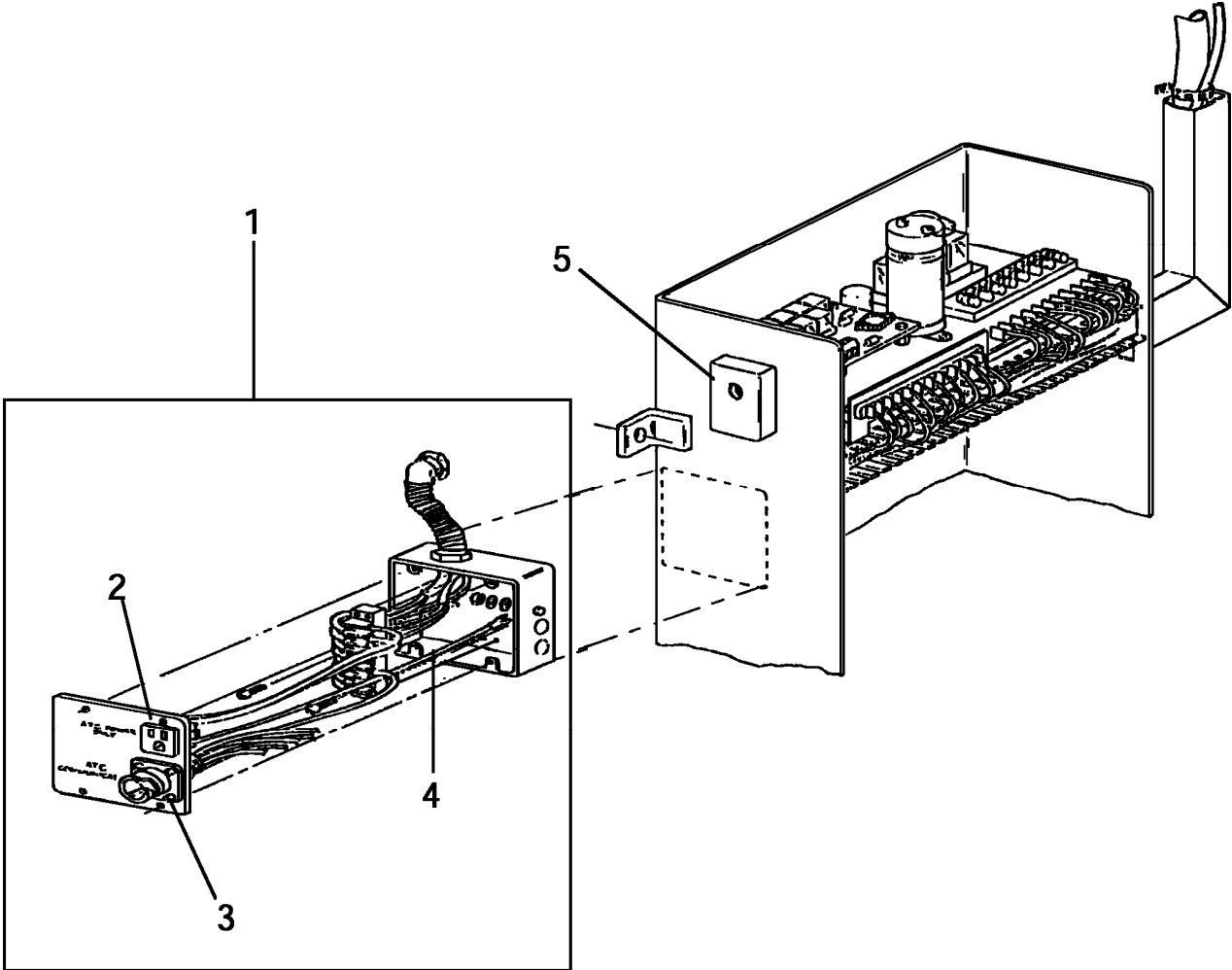
10-7900AT



VINTAGE Y 01		
REF. No.	PART No.	DESCRIPTION
1	8128EE1	Controller Interface PC Board
2	375T3	Fuse, Type MDX 3.0 A, 125 V (F1–F4)
	375P3	Fuse, Type AGC, 2.0 A, 250 V (F5–F7)
	375P26	Fuse, Type AGC, 1.5 A, 250 V (F8)
	375T6	Fuse, Type MDX, 6.25 A, 125 V (F9–F11)
3	630F3	Relay, 4-Pole, 24 VDC (AUD, DC, DO, DZ, DLV, DMV, NDG, ULM, UMV, PM RV,)
4	630F4	Relay, 4-Pole, 115 VAC (DR, LPR)
5	8128EE/PYC–P	Relay Hold-Down Clip

Remote Elevator Monitor

10-7900AT



VINTAGE Y 01		
REF. No.	PART No.	DESCRIPTION
1	176DH4	ATC Receptacle
2	175BT1	Conductor
3	6599R2	Power Outlet
4	A8128T1	REM Junction Box Assembly
5	303CP1	Terminal Block, Phone