

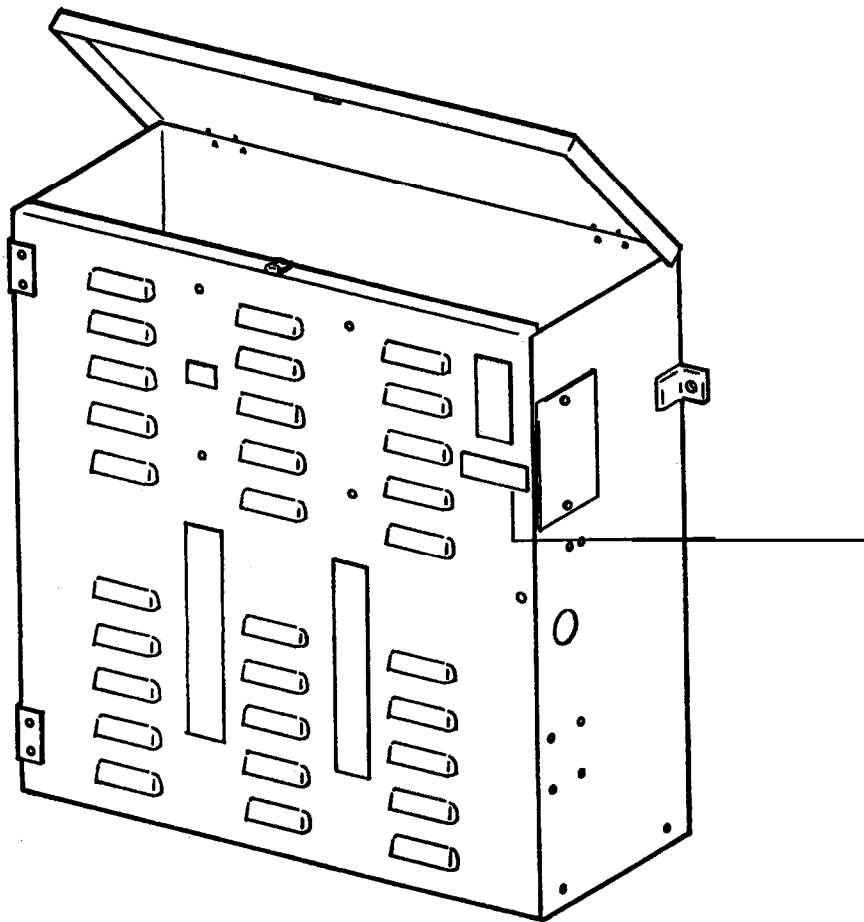
Microcomputer Controller
LRV4, LRV4L, LRVH
(Front Doors Only)

Spare Parts Leaflet

10-7900BB

December 21, 2011 / Page 1 of 10

10	7900BB	
Y	VINTAGE	Y 01



Unpublished Work—© Otis Elevator Co.; 2011

OTIS

Safety First!

SERVICE ENGINEERING
Otis Elevator Company
Bloomfield, Connecticut USA

Leaflet Description

This leaflet lists 7900BB microcomputer controller parts used in LRV4, LRV4L and LRVH applications.

Leaflet Revisions

Date Revised	Subject Matter Expert	Reason for Revision
November 1995	Jeffrey S. Costley, Technical Writer	New SPL
January 1997	- - -	- - -
March 3, 2006	John Dwyer	Corrected description for p/n P226DA4.
September 8, 2006	John Dwyer	Updated parts on page 3.
September 28, 2009	Matt Fournier	p.6 update reverse phase relay part numbers and picture.
March 9, 2011	Matt Fournier	Added alternate part numbers for P613AP6, 7, and 9.
December 21, 2011	Matt Fournier	Added alternate part numbers for P613AP6, 7, and 9.

Related Drawings

Drawing No.	Title	Drawing No.	Title
7900BB	Microcomputer Controller	- - -	- - -

Related Documents

Document ID	Title
SPL 10-7151A	AC & DC Contactors Reversing/Wye-Delta Contactors Starters
TIP 1.2.0-38	P613AP6, 7, and 9 Aromat Relay Replacements

Subject Matter Expert

Name	Department
Matt Fournier	OSC Service Engineering

About Spare Parts Leaflets...

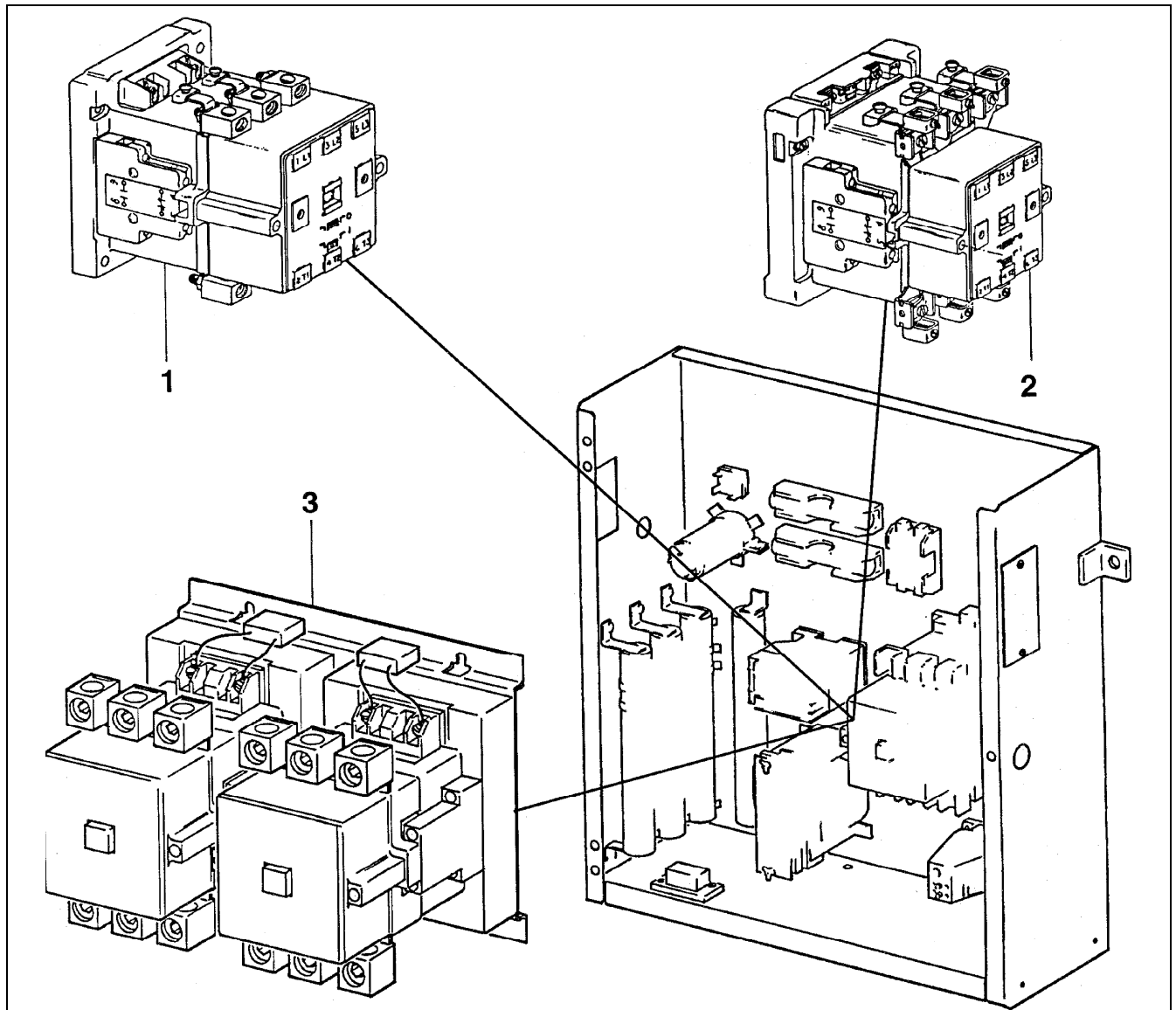
This document lists the lowest replaceable units (LRUs) for the standard version of the product. The LRUs are chosen by a team of Otis associates representing engineering and manufacturing.

While goal of this document is to make parts identification as easy as possible, the document cannot be all-inclusive. Elevator and escalator contracts classified as "special" or "custom" are not addressed here. For such contracts, please refer to specified information, the contract folder, TIPs, Field Education Articles, Construction Letters, etc. for further information.

If you have any suggestions about this document, please contact the subject matter expert listed on this page.

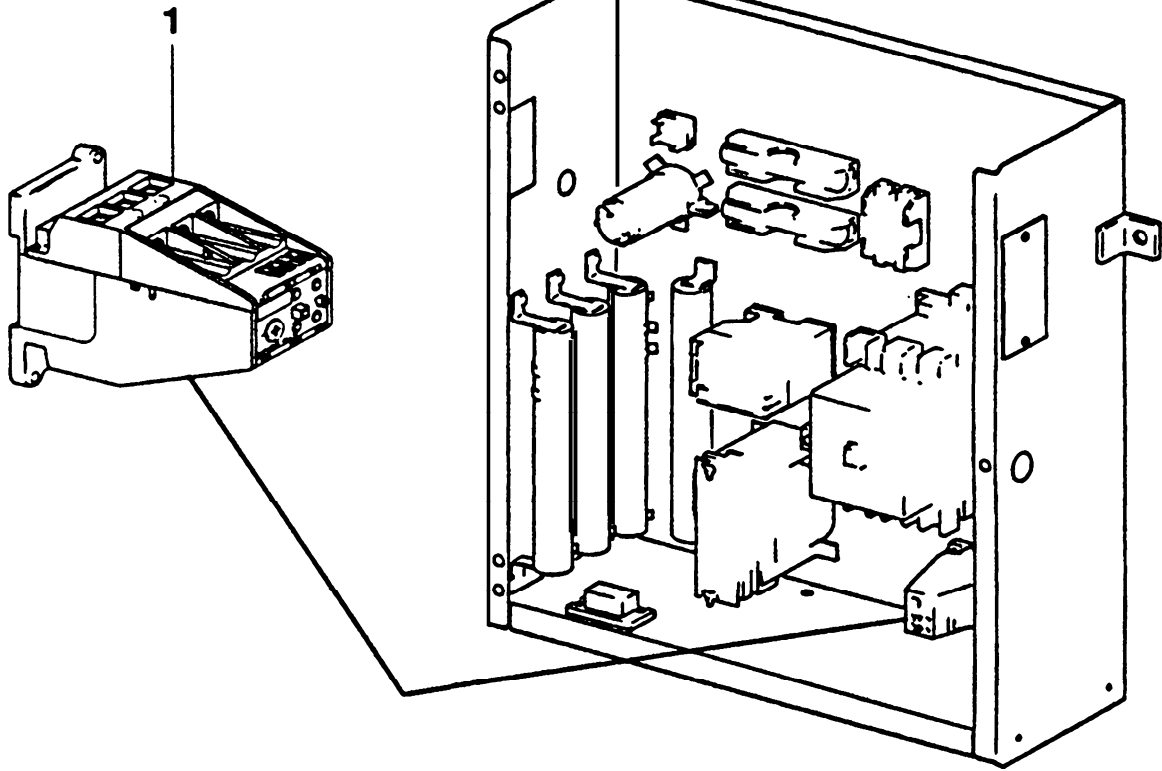
Controller Assembly

10-7900BB



VINTAGE Y01							
REF. No.	PART No.	VOLTS	H.P.	NEMA	MOTOR CONNECTION	SYMBOL	DESCRIPTION
1	7151F2-SA	200-240	≤30	3	Across Line	PMC	Starter
	AAA638A110	440-600	>30				
2	7151D4 AAA638R107	440-600	≤30	2			☞
3	7151AD2	200-240	≤30	3	Y/DELTA	LC-MC	NOTE
	AAA638D107	440-600	>30				
	7151AB4 AAA638W107	440-600	≤30	2			

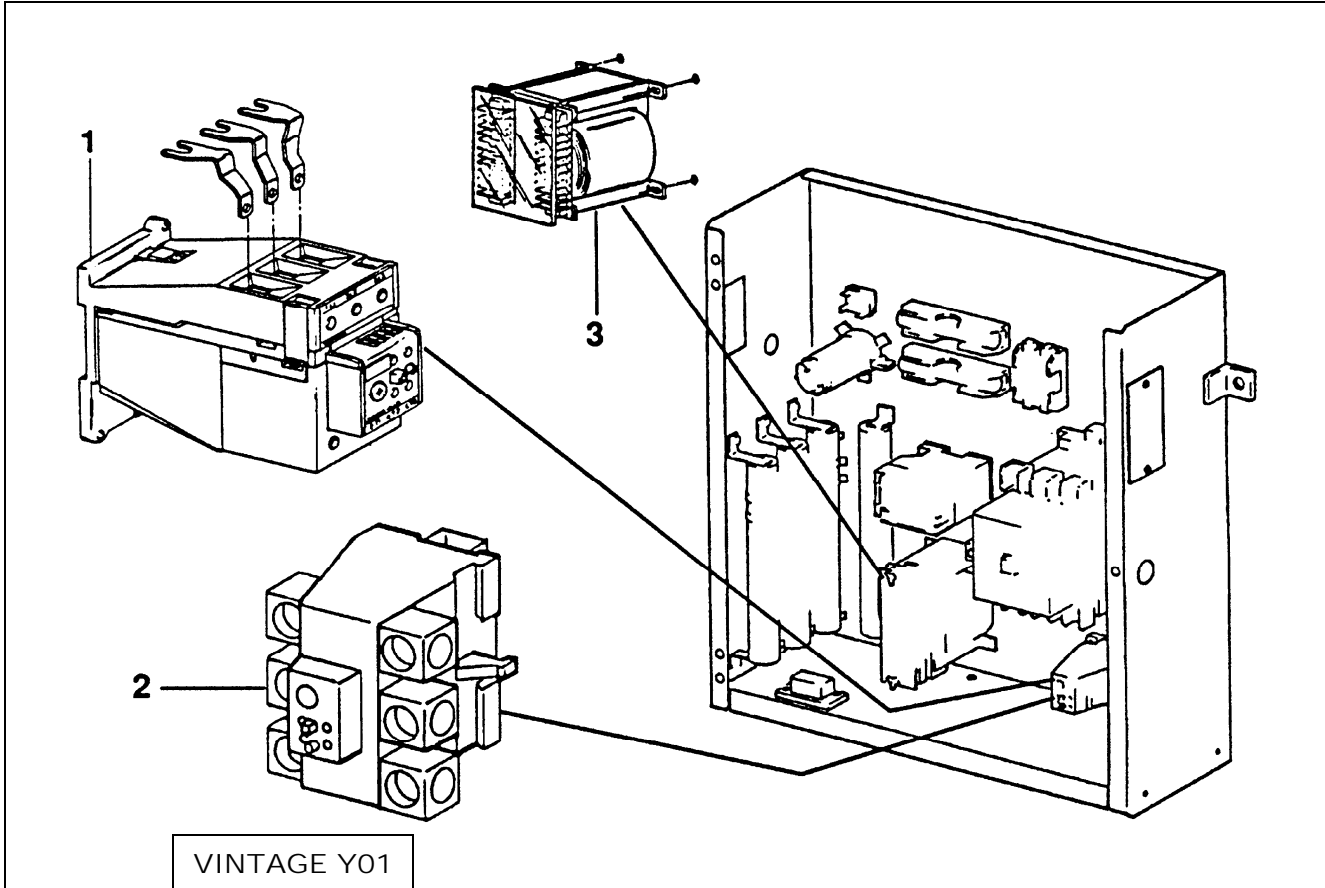
NOTE: ☞ SPL 10-7151A for details.



		VINTAGE Y01				
REF. No.	PART No.	VOLTS	H.P.	SETTING (AMPS)	DESCRIPTION	
1	613BP8	460	15	13	Overload Relay (PTO)	
		575	15	11		
		575	20	13		
	613BP10	460	20	22		
		460	25	26		
		575	25	22		
		460	30	27		
		575	30	22		
	613BP11	200	15	40		
		230	15	36		
		230	20	42		
		460	40	40		
		575	40	35		
		575	50	40		

Controller Assembly

10-7900BB



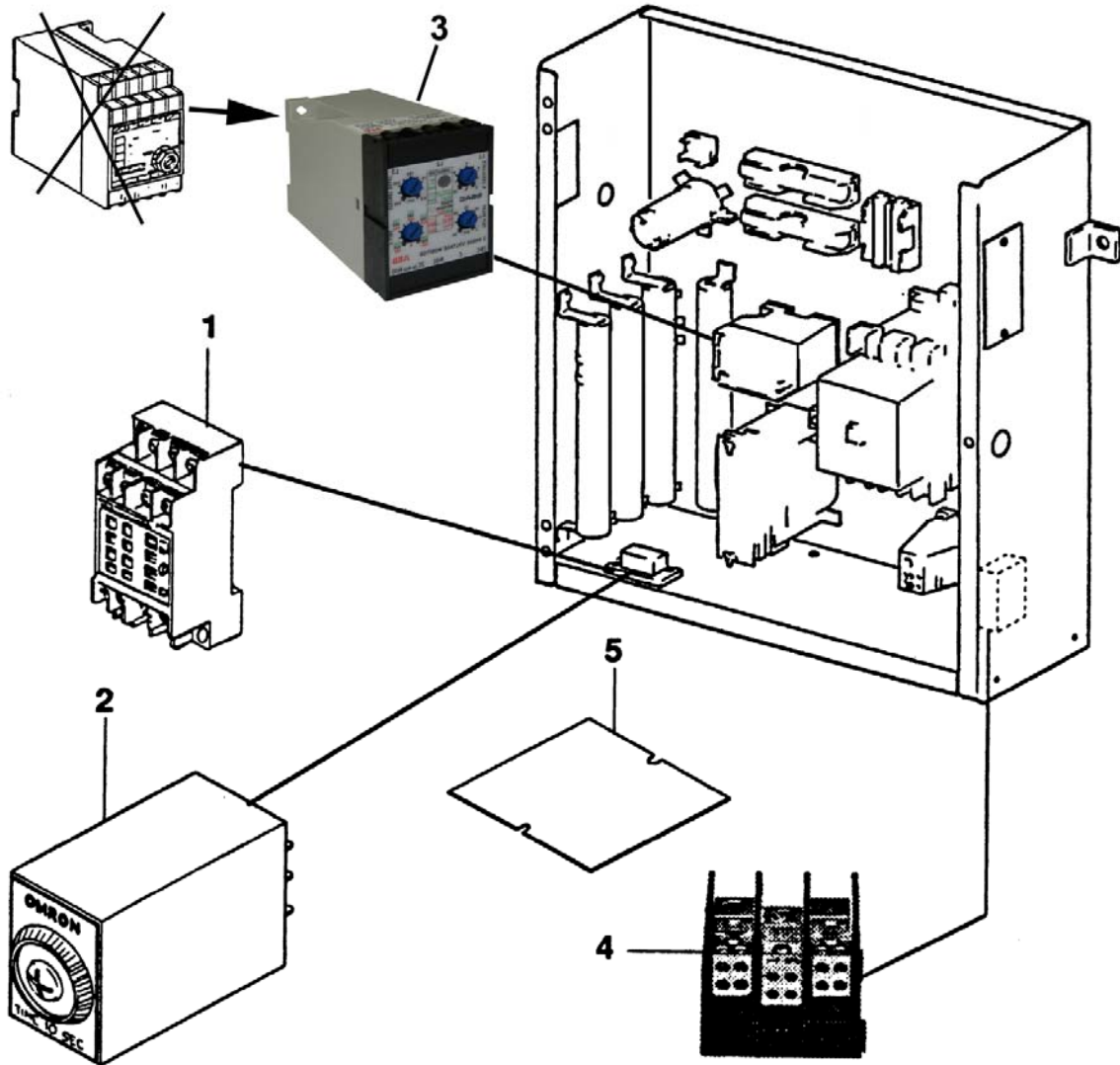
VINTAGE Y01

REF. No.	PART No.	VOLTS	H.P.	SETTING (AMPS)	DESCRIPTION
1	613BP12 AAA630W4 AAA660C1	200	20	42	Overload Relay (PTO)
		200	25	50	
		230	25	44	
		200	30	50	
		230	30	45	
		460	50	42	
2	613CE1	200	40	70	
		230	40	65	
		230	50	70	
	613CE2	200	50	82	

REF. No.	PART No.	PRIMARY VOLTS	SECONDARY VOLTS	DESCRIPTION
3	235DE1	200-240	120/115/105/21/75/80	Transformer (TRFM)
	235DE2	440-480		
	235DE3	550-600		

10-7900BB

Controller Assembly

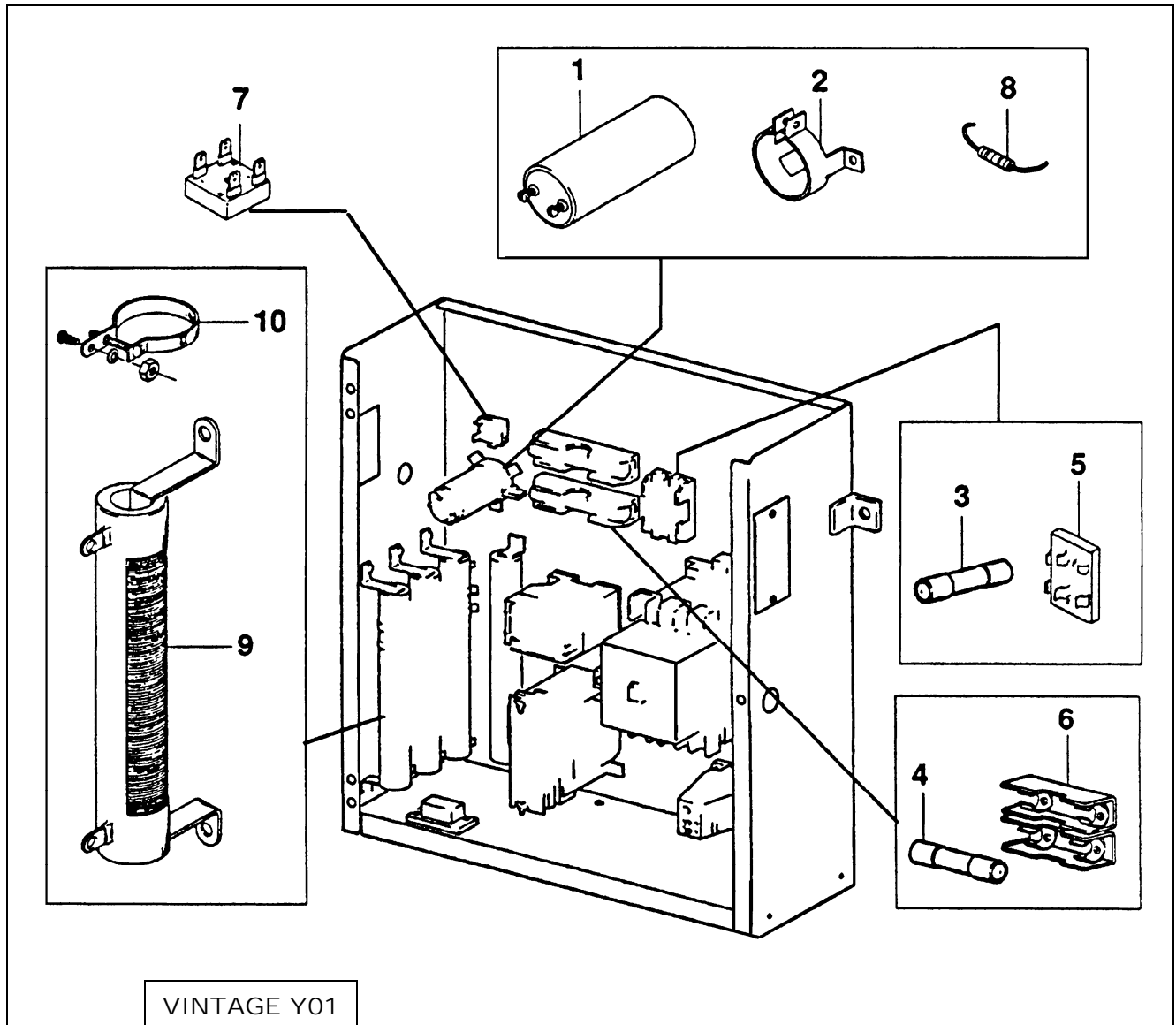


VINTAGE Y01

REF. No.	PART No.	DESCRIPTION	Symbol	Remarks
1	618AE2	Relay Socket	T	---
2	P613AY8	Relay Timer	T	---
3	613BY1 613BY23	Reverse Phase Relay	RPR	200-480 V
	613BY3 613BY23			200-480 V
	613BY5 613BY24			500-600 V
4	AAA303DM1	Terminal Block 2.87 x 2.75	PTB	1-Line, 4-Load Terminals
5	AAA303DM2	Terminal Block Cover		

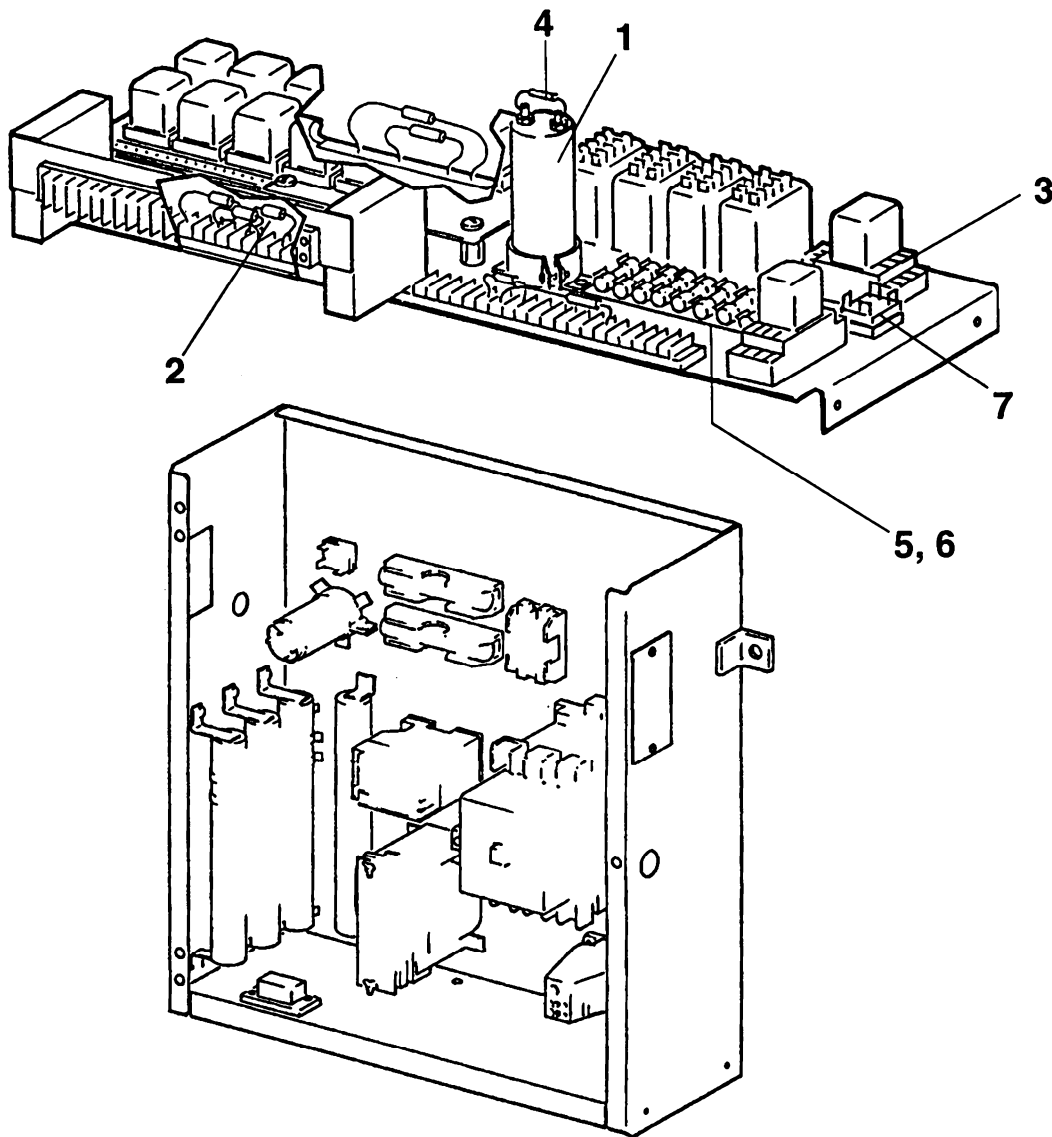
Controller Assembly

10-7900BB




VINTAGE Y01

REF. No.	PART No.	DESCRIPTION	Amps	Volts	Ohms	Watts	Symbol
1	P226DA5	Capacitor, 2 K μ F	---	---	---	---	C
2	P336JP4	Capacitor Clamp	---	---	---	---	---
3	375Y3	Fuse	3	250	---	---	F9, F10
	375W4	Fuse, 200-240 V	4	600	---	---	F7, F8
4	375W3	Fuse, 440-600 V	3	---	---	---	---
5	P180BP1	Fuse Holder	---	---	---	---	F9, F10
6	P180BX1	Fuse Holder	---	---	---	---	F7, F8
7	P230BP2	Rectifier, 1-Phase	25	800	---	---	DRF
8	232T17	Resistor	---	---	75K	2	R
9	AAA232FF10	Resistor	---	---	250	225	R1
	AAA232FF8		---	---	50	225	R2, R3, R4
10	P190AR1	Resistor Band	---	---	---	---	---

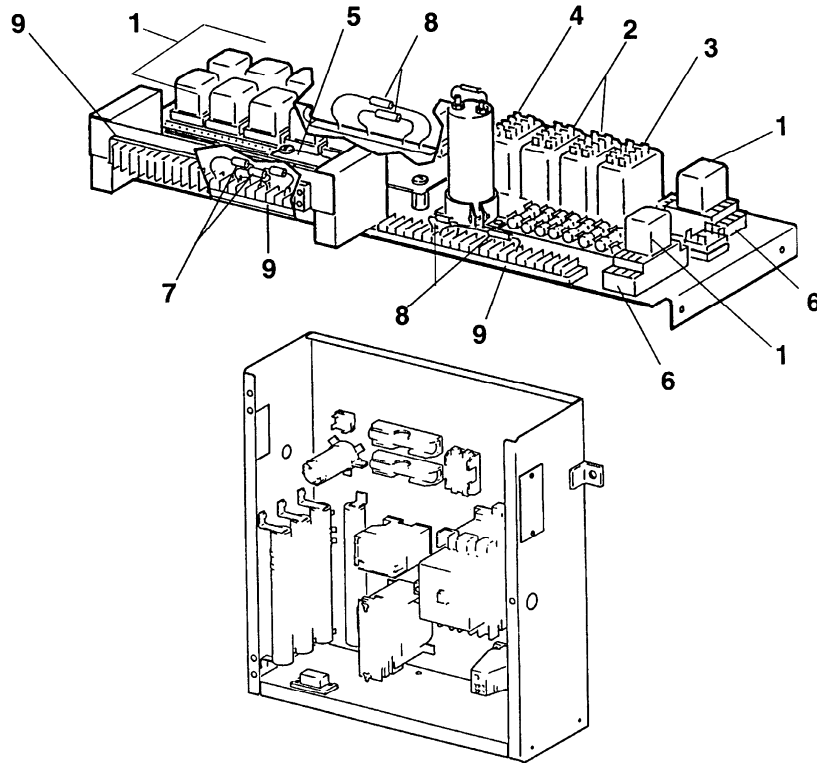


VINTAGE Y01

REF. No.	PART No.	DESCRIPTION	SYMBOL
1	P226DA4	Capacitor, 12000 μ F	---
2	P642J4 AAA00612AAA002	Diode, 3 A, 100 V (cathode at terminal 18)	---
3	AAA612AF2	Diode,  PRR (Canada Code)	---
4	612B2	Diode, 400 PIV	---
5	375P26	Fuse, 1.5 A	F3
	375T28	Fuse, 3 A	F1, F2 ,F4 F5, F6, F11
	375T6	Fuse, 6.25 A	F12
6	P303BA8	Fuse Holder	---
7	P230BK6	Rectifier, 1-Phase, 4 A, 400 V	DRF1

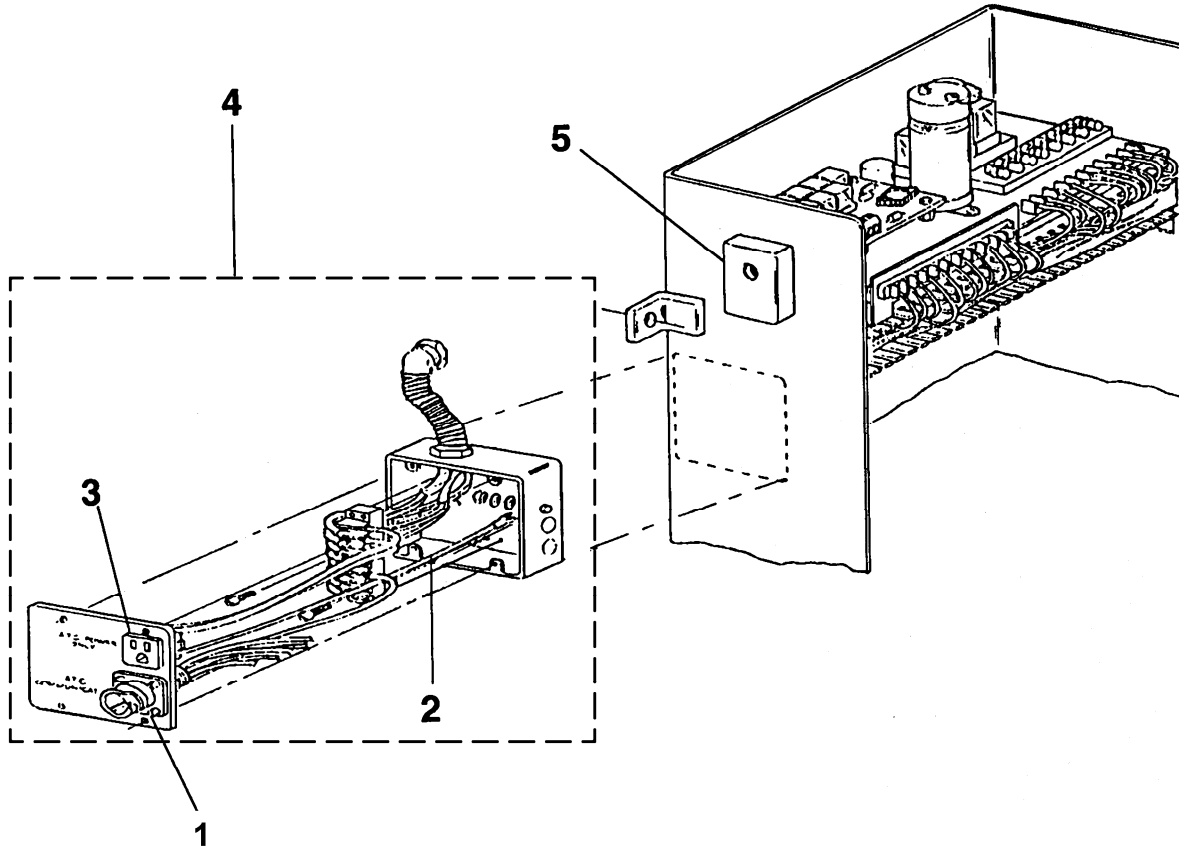
Type 6840DS Relay Shelf

10-7900BB



VINTAGE Y01			
REF. No.	PART No.	DESCRIPTION	SYMBOL
1	630F4 AAA613CZ9	Relay, 115 VAC, 4 NC Contacts	DR, LPR
	630F3 AAA613CZ8	Relay, 24 VDC, 4 NC Contacts	AUD, DC, DO, DZ, DLV, DMV, ULV, UMV, NUDGE, PM, RV, PRR
2	P613AP9 AAA24831M9 AAA613DL16	Relay, 115 VAC, 3 NO, 1 NC Contacts, See NOTE	DOR, DCR
3	P613AP6 AAA24831M6 AAA613DL17	Relay, 120 VAC, 4 NC Contacts, See NOTE	HES
4	P613AP7 AAA24831M7 AAA613DL15	Relay, 120 VAC, 4 NO Contacts, See NOTE	CSA
5	C8121AX1	PC Board, Relay	RB1
6	618AE2	Relay Socket	---
7	232AT8	Resistor, 500 Ω, 5 W (term:13/15, 15/17)	---
8	605H1 AAA00605AAA014	Suppressor, 0.5 μF (term: 26/29, 27/34, 69/85, 75/82)	---
9	P303CG1	Terminal Block	---

NOTE: For first time replacement, order AAA24831M_; for subsequent replacements, order AAA613DL_. Refer to TIP 1.2.0-38, P613AP6, 7 and 9 Aromat Relay Replacements, for replacement options.



VINTAGE Y01		
REF. No.	PART No.	DESCRIPTION
1	176DH4	ATC Receptacle
2	175BT1	Conductor
3	6599R2	Power Outlet
4	A8128T1	REM Junction Box Assembly
5	303CP1	Terminal Block, Phone