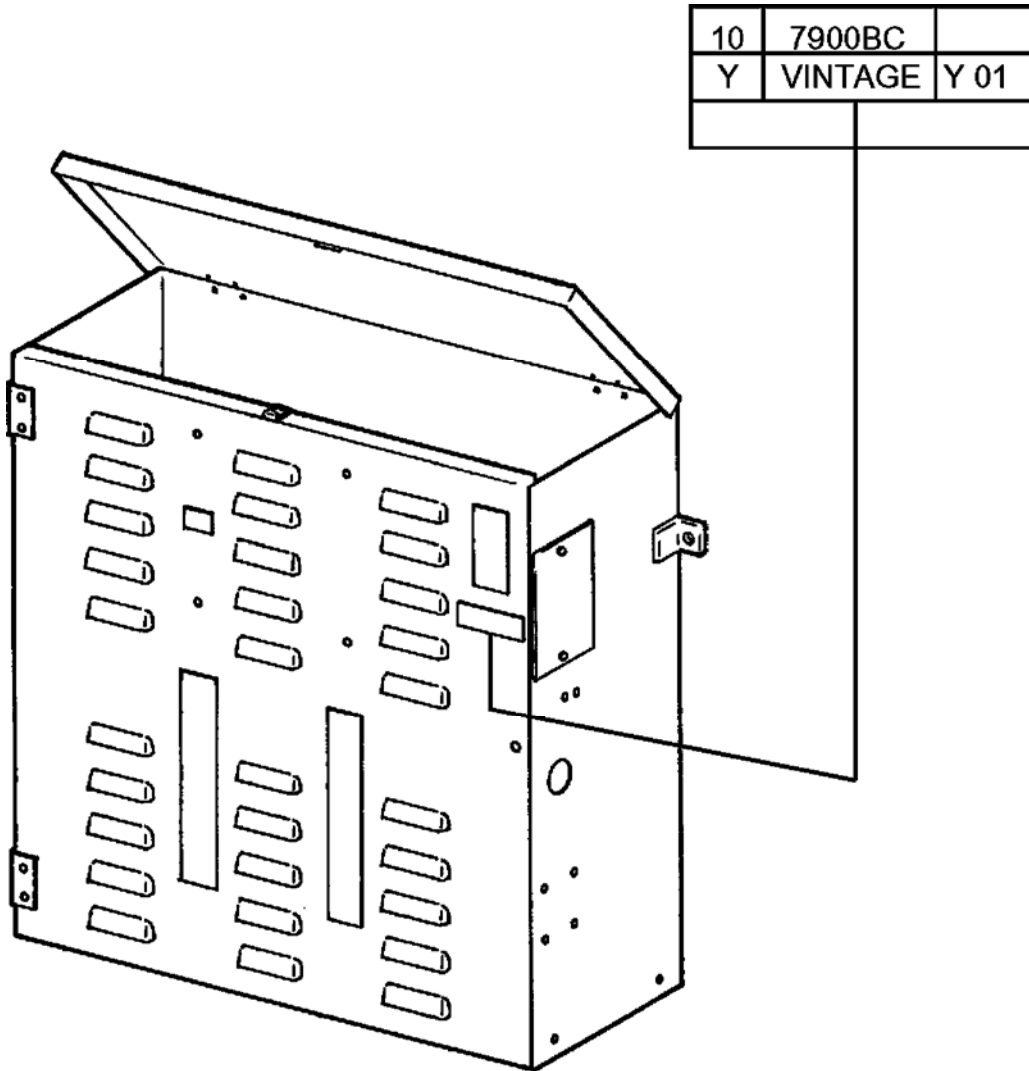


Micro Computer Controller
LRV5, LRV5L, LRVH
(Front and Rear Doors)

Spare Parts Leaflet

10-7900BC

January 4, 2012 / Page 1 of 10



Unpublished Work—© Otis Elevator Co.; 2012

OTIS

Safety First!

SERVICE ENGINEERING
Otis Elevator Company
Bloomfield, Connecticut USA

Leaflet Description

This leaflet supports the lowest replaceable units for the 7900BC controller.

Leaflet Revisions

Date Revised	Subject Matter Expert	Reason for Revision
November 1, 1995	Jeffrey S. Costley, (Technical Writer)	New SPL
March 1, 1997	---	Update parts
September 25, 2006	John Dwyer	Update starter part numbers on page 3.
October 7, 2008	John Dwyer	p. 8 Ref. 1 was 12 microfarad.
July 7, 2009	Matt Fournier	Updated p/ns in ref. 3 on p. 6
September 23, 2009	Matt Fournier	Updated artwork for p/ns in ref. 3 on p. 6
March 16, 2011	Matt Fournier	p. 9 add more reliable alternative parts.
January 4, 2012	Matt Fournier	Updated relay information on p. 9.

Related Drawings

Drawing No.	Title	Drawing No.	Title
7900BC	Controller	---	---
---	---	---	---

Related Documents

Document ID	Title
SPL 10-7151A	AC & DC Contactors Reversing/Y- Contactors Starters
TIP 1.2.0-38	P613AP6, 7, and 9 Aromat Relay Replacements

Subject Matter Expert

Name	Department
Matt Fournier	OSC Electrical Engineering

About Spare Parts Leaflets...

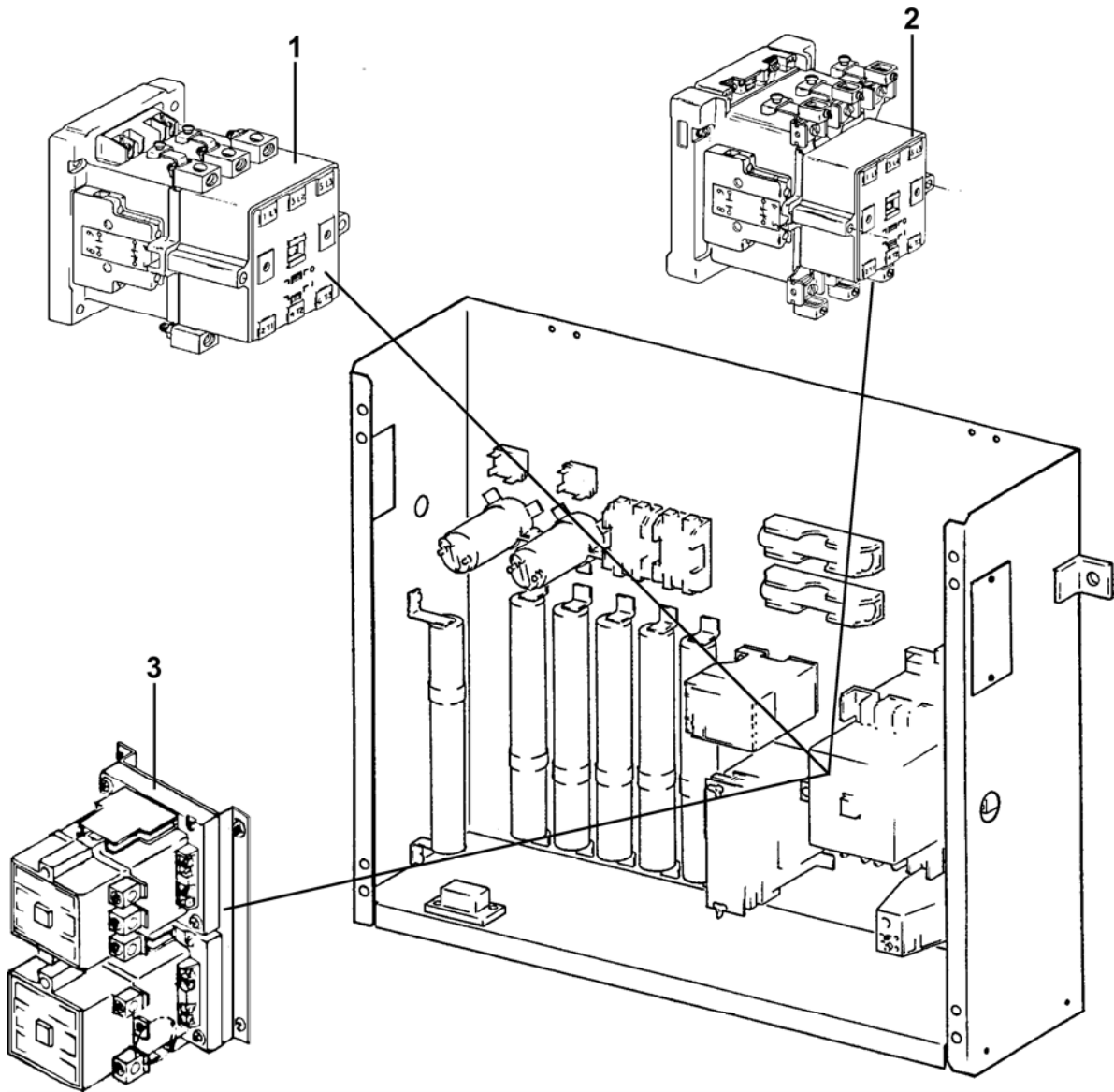
This document lists the lowest replaceable units (LRUs) for the standard version of the product. The LRUs are chosen by a team of Otis associates representing engineering and manufacturing.

While goal of this document is to make parts identification as easy as possible, the document cannot be all-inclusive. Elevator and escalator contracts classified as "special" or "custom" are not addressed here. For such contracts, please refer to specified information, the contract folder, TIPs, Field Education Articles, Construction Letters, etc. for further information.

If you have any suggestions about this document, please contact the subject matter expert listed on this page.

Starters

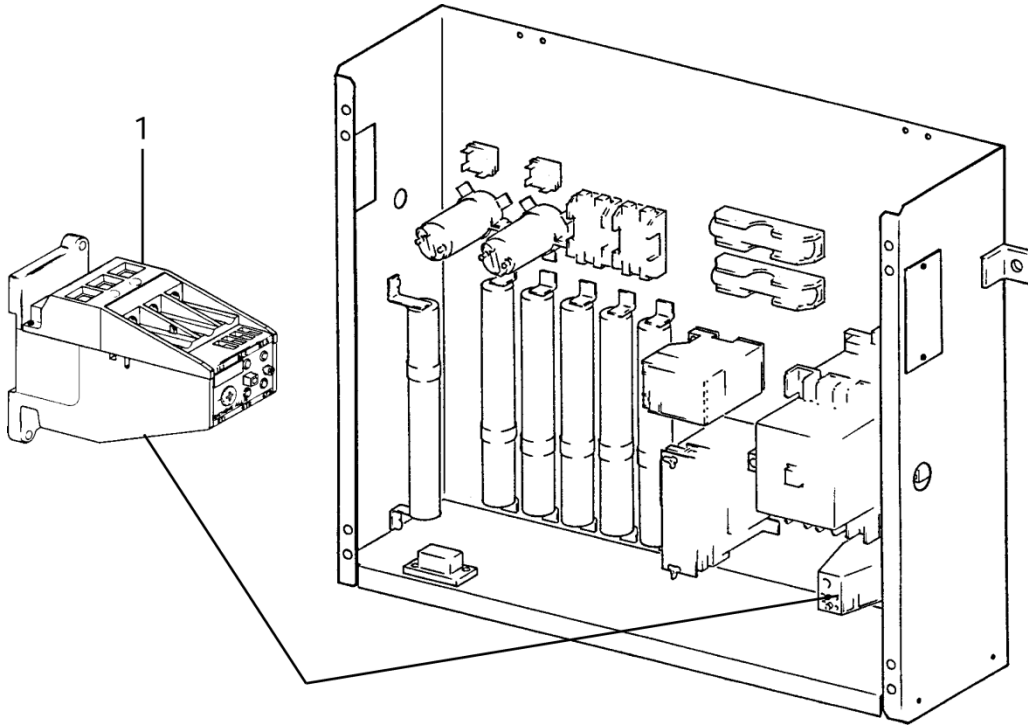
10-7900BC



VINTAGE Y 01

REF. No.	PART No.	NEMA	MOTOR CONNECT	VOLTS	H.P.	DESCRIPTION	SYMBOL		
1	7151F2-SA	3	Across Line	200-240	≤30	Starter (see SPL 10-7151A)	PMC		
	AAA638A110			440-600	>30				
2	7151D4	2	Across Line	440-600	≤30			Starter (see SPL 10-7151A)	PMC
	AAA638R107			440-600	≤30				
3	7151AD2	3	Y/Delta	200-240	≤30		Starter (see SPL 10-7151A)		LC-MC
	7151AB4	2		440-600	>30				
	AAA638W7			440-600	≤30				

Overload Relay

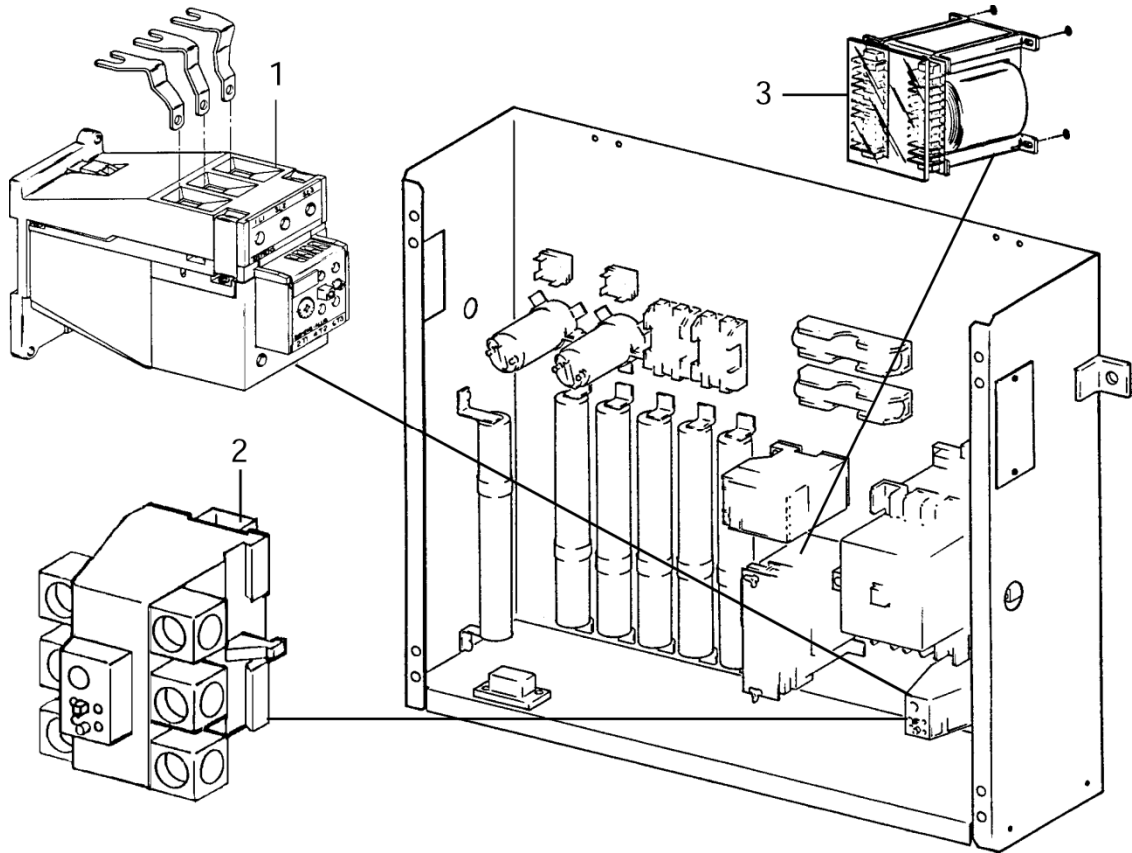


VINTAGE Y 01

REF. No.	PART OR M.L.	H.P.	VOLTS	SETTING (AMPS)	DESCRIPTION (SYMBOL)
1	613BP8	15	460	13	Relay, Overload (PTO)
		15	575	11	
		20	575	13	
	613BP10	20	460	22	
		25	460	26	
		25	575	22	
		30	460	27	
		30	575	22	
	613BP11	15	200	40	
		15	230	36	
		20	230	42	
		40	460	40	
		40	575	35	
		50	575	40	

Overload Relay

10-7900BC

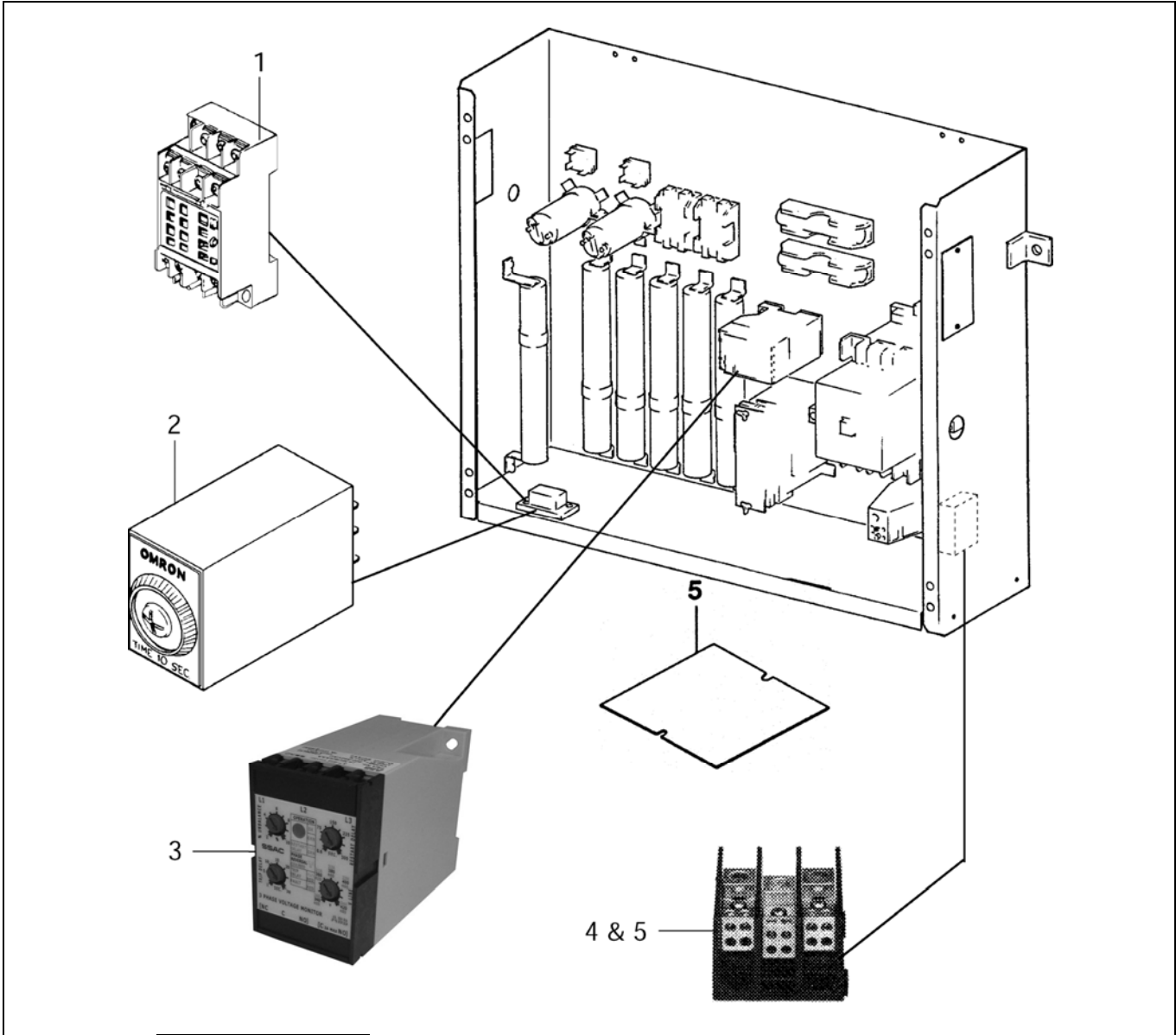


VINTAGE Y 01

REF. No.	PART No.	H.P.	VOLTS	SETTING (AMPS)	DESCRIPTION (SYMBOL)
1	613BP12 AAA630W1 AAA660C1	20	200	42	Overload Relay (PTO)
		25	200	50	
		25	230	44	
		30	200	50	
		30	230	45	
		50	460	42	
2	613CE1	40	200	70	
		40	230	65	
		50	230	70	
	613CE2	50	200	82	
		PRIMARY VOLTS	SECONDARY VOLTS		
3	235DE1	200–240	120/115/	Transformer (TRFM)	
	235DE2	440–480	105/21.2/		
	235DE3	550–600	75/80		

Reverse Phase Relay

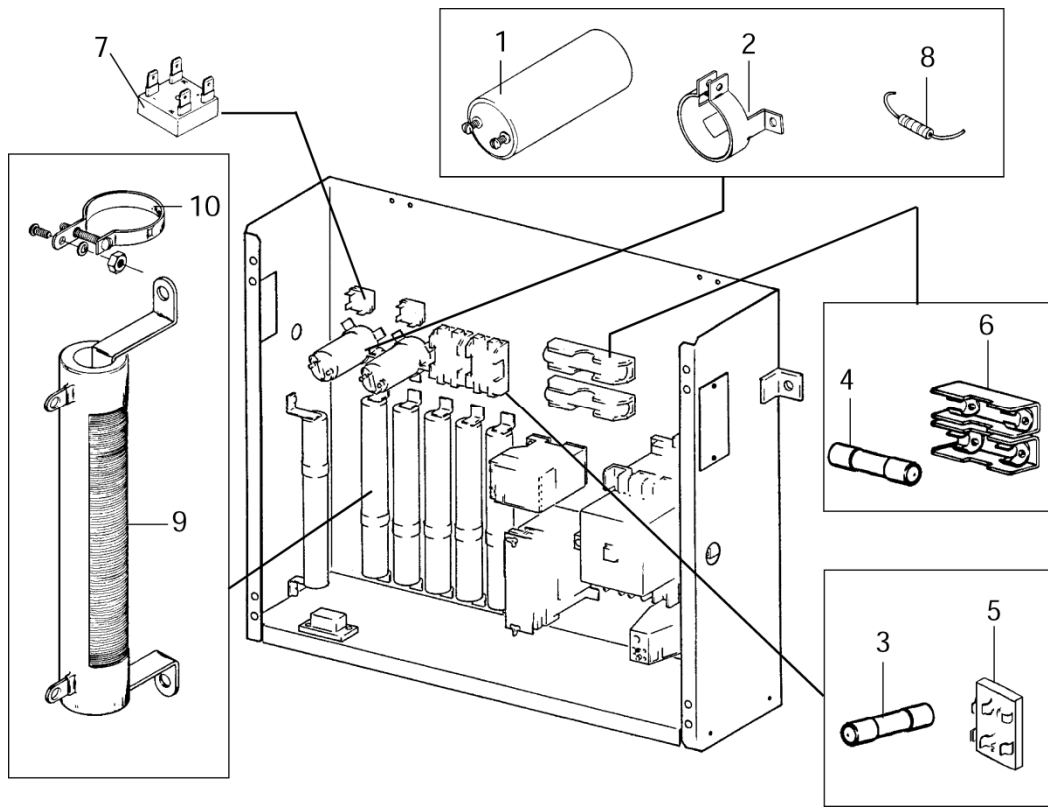
10-7900BC



REF. No.	PART No.	DESCRIPTION (SYMBOL)
	VINTAGE Y 01	
1	618AE2	Relay Socket (T)
2	P613AY8	Relay Timer (T)
3	613BY1 613BY23	Reverse Phase Relay, 200–480 V (RPR)
	613BY3 613BY23	Reverse Phase Relay, 200–480 V (RPR)
	613BY5 613BY24	Reverse Phase Relay, 500–600 V (RPR)
4	AAA303DM1	Terminal Block, 1-Load, 4-Line Terminals, 2.87 x 2.75 in. (PTB)
5	AAA303DM2	Cover, Terminal Block

Fuses

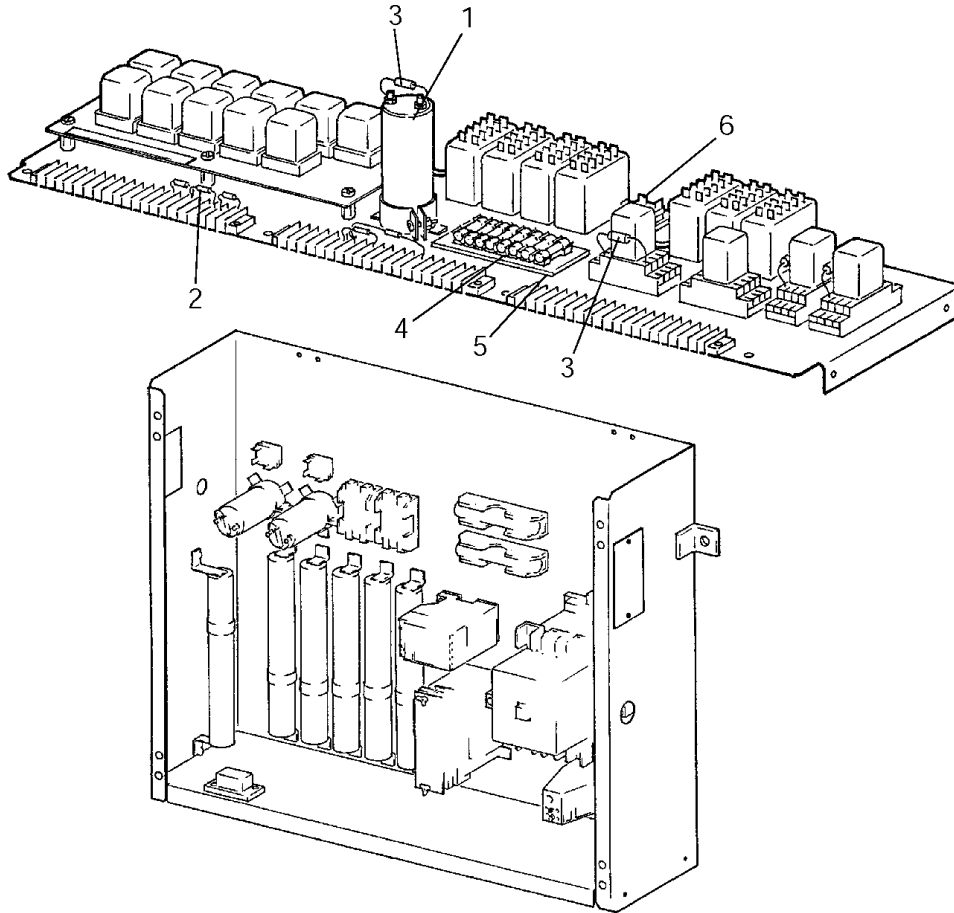
10-7900BC



VINTAGE Y 01

REF. No.	PART No.	DESCRIPTION (SYMBOL)
1	P226DA5	Capacitor, 2k microfarads (C)
2	P336JP4	Capacitor Clamp
3	375Y3	Fuse, 3 A, 250 V (F9, F10, F13, & F14)
	375W5	Fuse (for 200–240 V systems), 5 A, 600 V (F7, F8)
4	375W3	Fuse (for 440–600 V systems), 3 A, 600 V (F7, F8)
5	P180BP1	Fuse Holder
6	P180BX1	Fuse Holder (F7, F8)
7	P230BP2	Rectifier, 1-Phase, 25 A, 800 V (DRF)
8	232T17	Resistor, 75K Ohms, 2 W (R)
9	AAA232FF10	Resistor, 250 Ohms, 225 W (R1, RR1)
	AAA232FF8	Resistor, 50 Ohms, 225 W (R2–R4, RR2–RR4)
10	P190AR1	Resistor Band

6840DT Relay Shelf

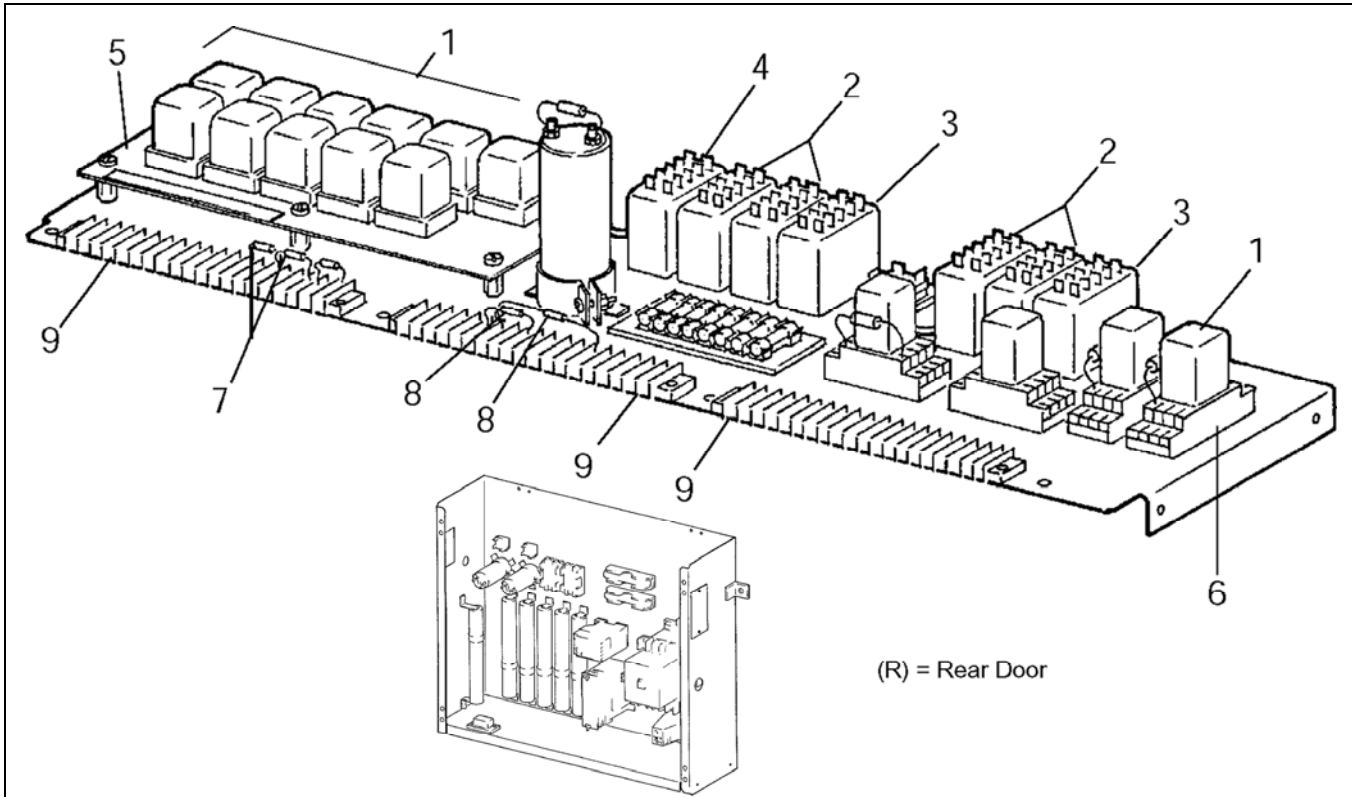


VINTAGE Y 01

REF. No.	PART No.	DESCRIPTION	SYMBOL
1	P226DA4	Capacitor, 12k microfarads	---
2	P612J4 AAA00612AAA002	Diode, 3 A, 100 V (cathode at terminal 18)	---
3	612B2 AAA612AF2	Diode, w/Polyvinyl Sleeves, 400 PIV	LPR, PRR, RDC, RDO, RNUDGE
4	375P26	Fuse, 1.5 A	F3
	375T28	Fuse, 3 A	F1, F2 ,F4, F5, F6, F11
	375T6	Fuse, 6.25 A	F12
5	P303BA8	Fuse Holder	---
6	P230BK6	Rectifier, 1-Phase, 4 A, 400 V	DRF1

6840DT Relay Shelf

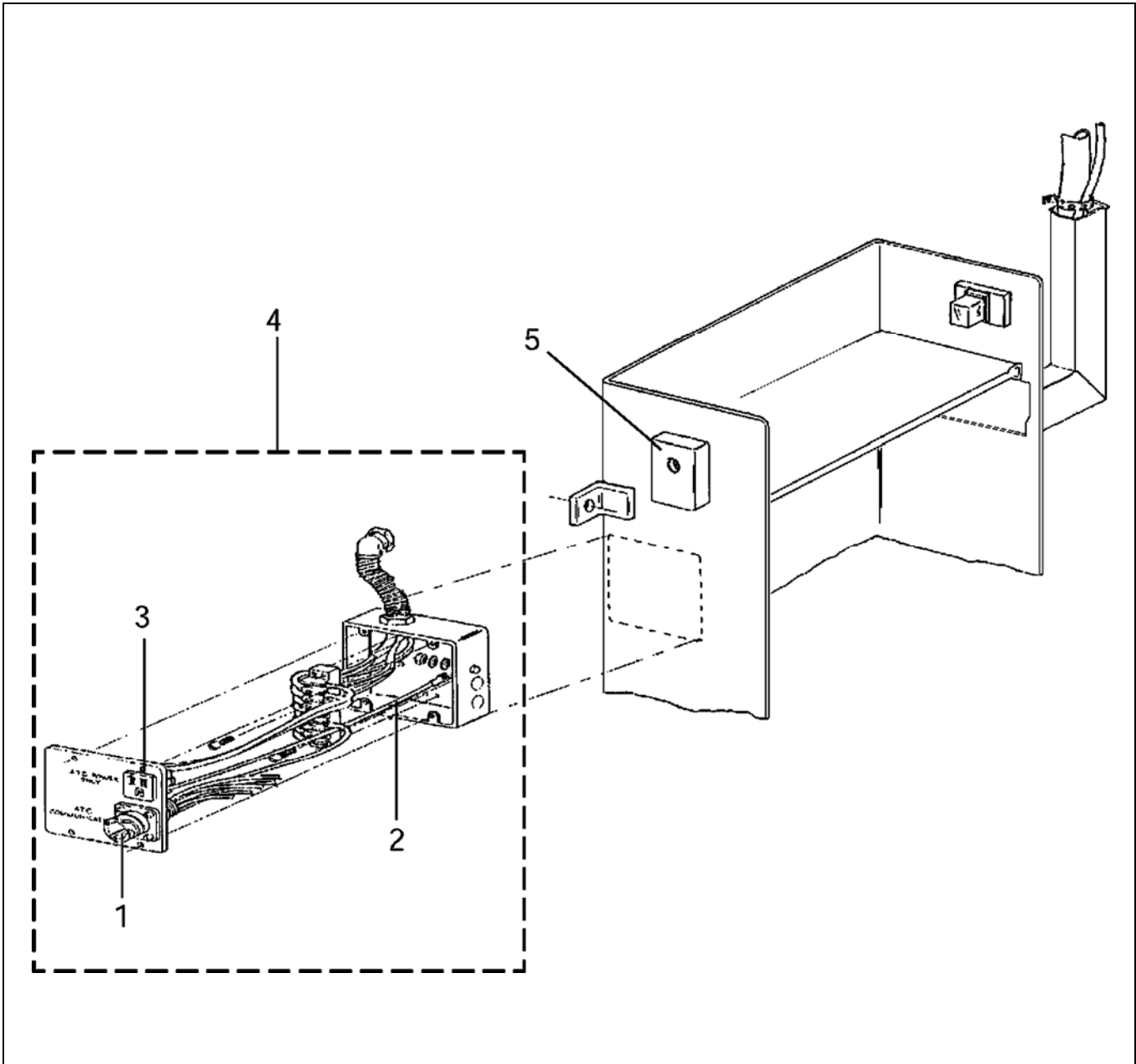
10-7900BC



(R) = Rear Door

REF. No.	PART No.	DESCRIPTION	SYMBOL
VINTAGE Y 01			
1	630F4 AAA613CZ9	Relay, 115 VAC, 4 N.C. Contacts	DR, LPR
	630F3 AAA613CZ8	Relay, 24 VDC, 4 N.C. Contacts	AUD, DC, DO, DZ, DLV, DMV, ULV UMV, RNDGE, PM, PRR, NUDGE
2	P613AP9 AAA24831M9 AAA613DL16	Relay, 115 VAC, 3 N.O., 1 N.C. Contacts See NOTE	(R)DOR, DCR
3	P613AP6 AAA24831M6 AAA613DL17	Relay, 120 VAC, 4 N.C. Contacts See NOTE	(R)HES
4	P613AP7 AAA24831M7 AAA613DL15	Relay, 120 VAC, 4 N.O. Contacts See NOTE	CSA
5	C8121AX1	P.C. Board, Relay	RB1
6	618AE2	Relay Socket	---
7	232AT8	Resistor, 500 Ohms, 5W (term:13/15, 15/17)	---
8	605H4 AAA00605AAA014	Suppressor, 0.5 MF (term: 26/29, 27/34, 69/85, 75/82)	---
9	P303CG1	Terminal Block	---

NOTE: For first time replacement, order AAA24831M_; for subsequent replacements, order AAA613DL_. Refer to TIP 1.2.0-38, P613AP6, 7 and 9 Aromat Relay Replacements, for replacement options.



W/O VINTAGE &
VINTAGE Y 01

REF. No.	PART No.	DESCRIPTION
1	176DH4	ATC Receptacle
2	175BT1	Conductor
3	6599R2	Power Outlet
4	A8128T1	REM Junction Box Assembly
5	303CP1	Terminal Block, Phone