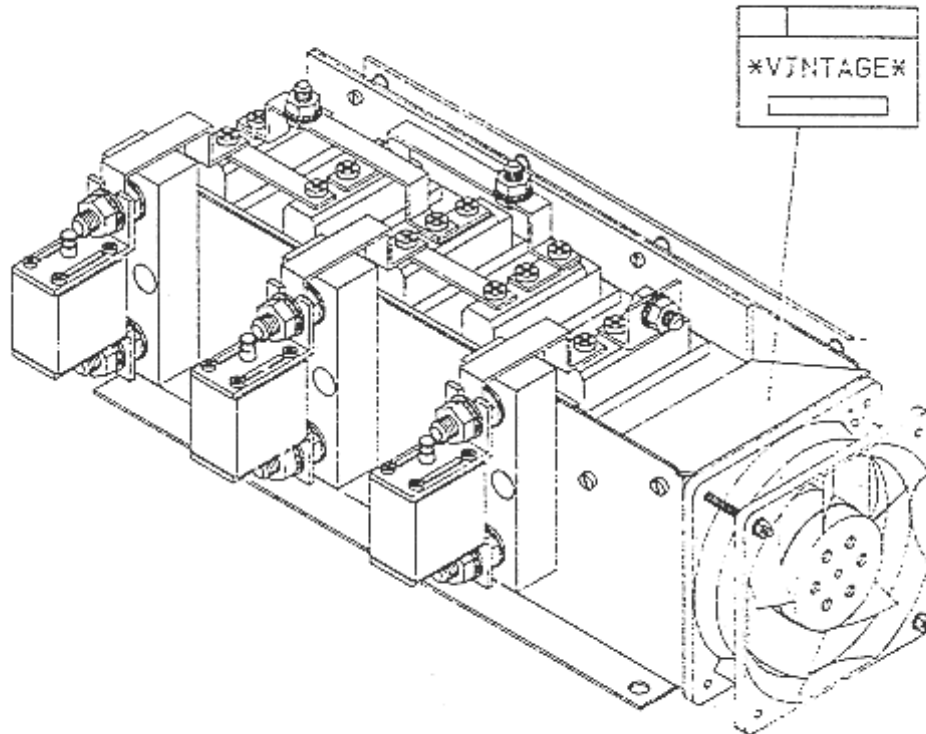


# SPL 10-9708BJ - Power Pack Gamma D

Unpublished Work - © Otis Elevator Company. Any unauthorized reproduction, disclosure, or distribution of copies or content by any person of any portion of this work may be a violation of Copyright Law of the United States of America. All rights reserved.

April 1990

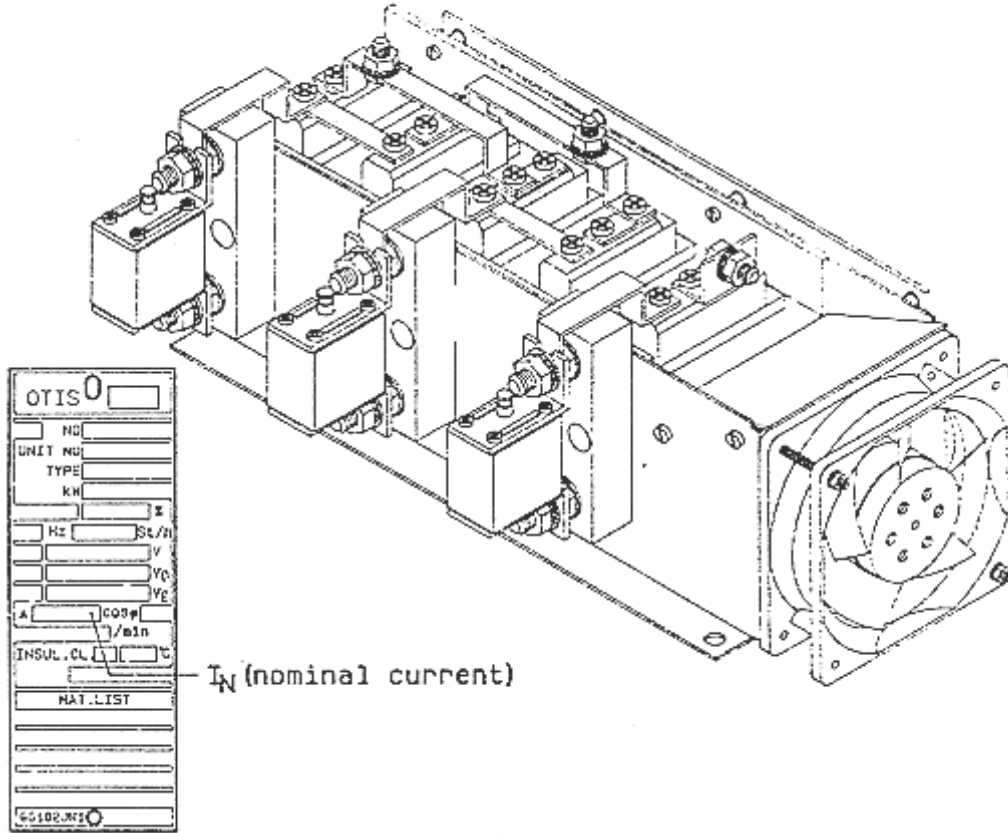
Page 1



# SPL 10-9708BJ - Power Pack Gamma D

Page 2 – Power Pack, GAMMA 160 SCR: GAMMA 160 M: GAMMA D

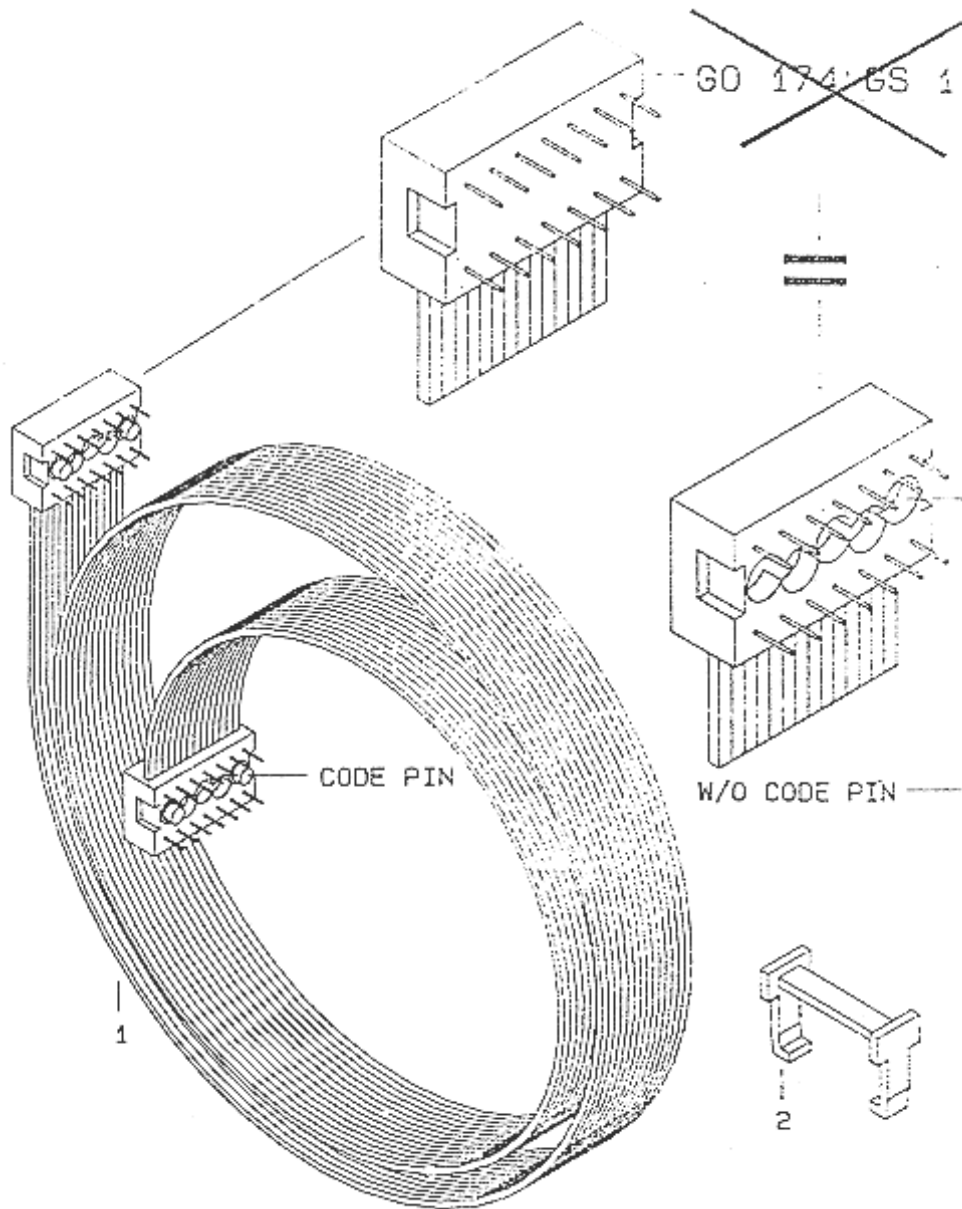
## POWER PACK



VINTAGE G.01				
PART NO.	STARTS/h	$I_N$		DESCRIPTION
→ 9708BJ2 A9708BJ2 *	240	< 42A		Without Air Blower
→ 9708BJ1 A9708BJ1 *				
	150	62A		
	240	42A : 54A		
	150	62A		
9708BP2 *		88A		
A9708BJ4 *	240	> 62A : 71A		Without Air Blower
		< 42A		
A9708BJ3 *	150	42A : 54A		With Air Blower
		62A		
				For NAO only

SPL 10-9708BJ - Power Pack Gamma D

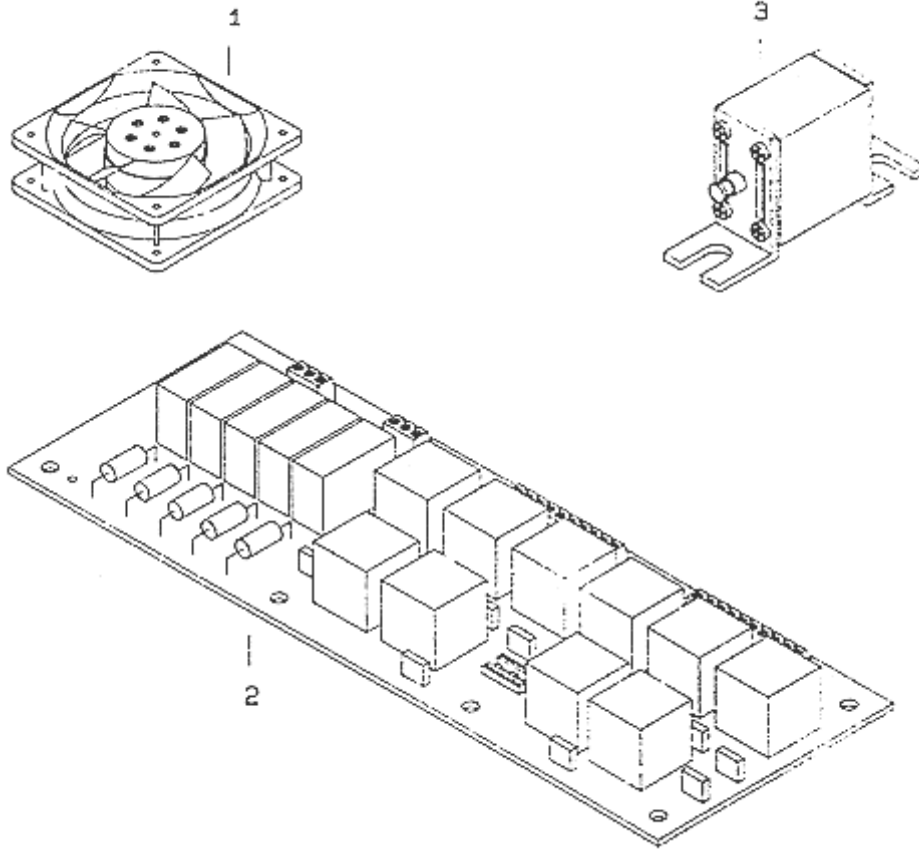
Page 3 – Power Pack, GAMMA 160 SCR: GAMMA 160 M: GAMMA D



VINTAGE G.01		
REF.	PART NO.	DESCRIPTION
1	GOA174GS1	Connection
2	GO614BB11	Clamp

# SPL 10-9708BJ - Power Pack Gamma D

Page 4 – Power Pack, GAMMA 160 SCR: GAMMA 160 M: GAMMA D



VINTAGE G.01				
REF.	PART NO.	DESCRIPTION		
1	GO366F1 *	Air Blower		
2		Used For 9708BJ1/2		
	B9708BF2 *	Used For A9708BJ1/2		
	B9708BF3 *	Used For A9708BJ3/4 For NAO only		
		Impulse Transformer Board		
3	GO375AK1 *			$I_N < 42$ A Fuse
	GO375AK2 *			$I_N 42 : 62$ A
	GO375AN2 *	$I_N > 62 : 88$ A		