

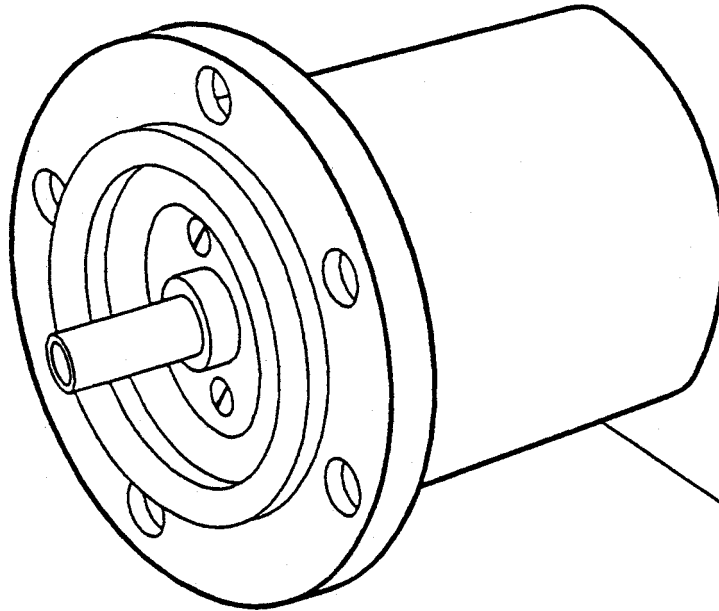
Encoder Speed  
Machine

Spare Parts Leaflet

10-9708G

October 6, 2004 / Page 1 of 3

Supersedes SPL Dated April 1995



10	9708G
*VINTAGE*	

Unpublished Work—© Otis Elevator Co.; 2004

**OTIS**

Safety First!

SERVICE ENGINEERING  
Otis Elevator Company  
Bloomfield, Connecticut USA

## Leaflet Description

This leaflet provides spare parts information for encoder speed machine.

### Leaflet Revisions

Date Revised	Subject Matter Expert	Reason for Revision
April 1995	Val Minnes	New SPL
October 31, 2004	Val Sheynkman	Updated parts information and artwork

### Related Drawings

Drawing No.	Title	Drawing No.	Title

### Related Documents

Document ID	Title

### Subject Matter Expert

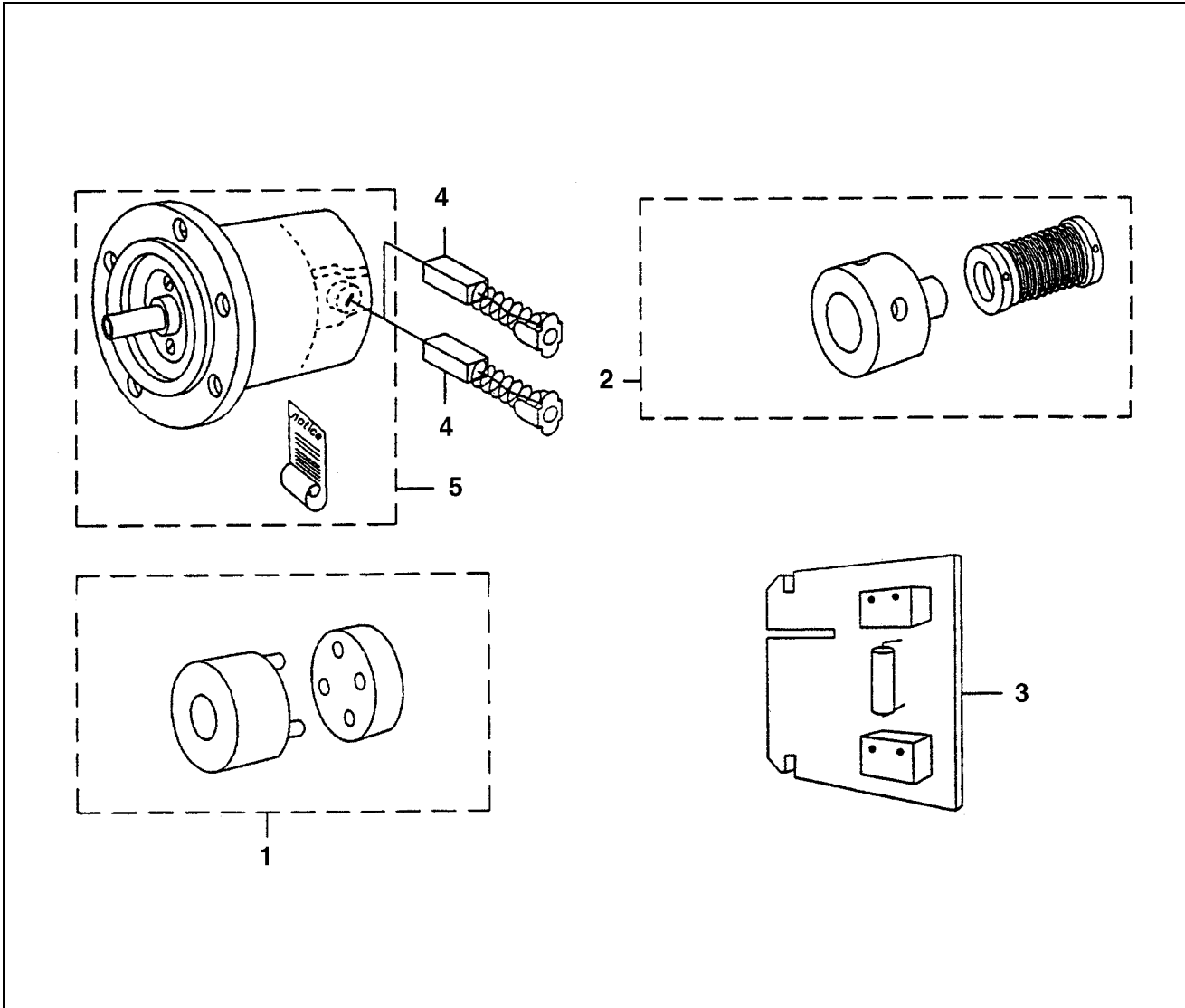
Name	Department
Val Sheynkman	OSC Service Engineering

### About Spare Parts Leaflets...

This document lists the lowest replaceable units (LRUs) for the standard version of the product. The LRUs are chosen by a team of Otis associates representing engineering and manufacturing.

While goal of this document is to make parts identification as easy as possible, the document cannot be all-inclusive. Elevator and escalator contracts classified as "special" or "custom" are not addressed here. For such contracts, please refer to specified information, the contract folder, TIPs, Field Education Articles, Construction Letters, etc. for further information.

If you have any suggestions about this document, please contact the subject matter expert listed on this page.



REF. No.	PART No.	DESCRIPTION
	F.01 & G.01	
1	FO2215Z306	Assembly, Coupling
2	<del>GOB215R1</del>	Assembly, Coupling, Inside Diameter = 16 mm, Blue
	<del>GOB215R2</del>	Assembly, Coupling, Inside Diameter = 8 mm, Blue
	<del>GOB215R3</del>	Assembly, Coupling, Inside Diameter = 16 mm, Red
	GO2223CJ1	Assembly, Coupling
3	FOB610FC2	Board, PC, ACS 3T
4	FAA240C1	Brush
5	<del>FOB2085Z152</del> 9708G3	Generator, Tacho, w/Notice