

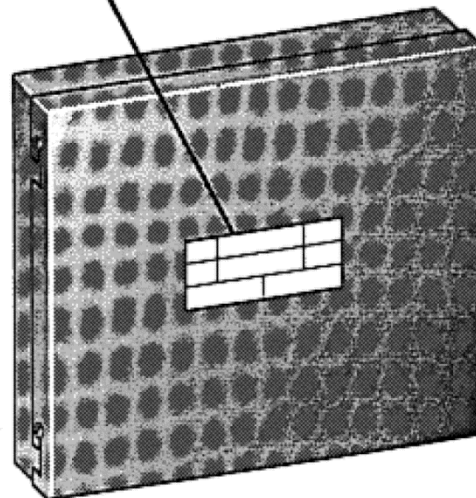
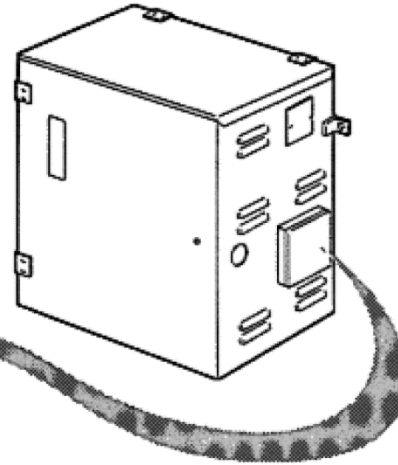
Hall Button Interface Assembly

Spare Parts Leaflet

10-A7145AH

January 24, 2018 / Page 1 of 4

10	A7145AH	
Y	VINTAGE	Y 01
REV.	EN	



OTIS

This document does not contain any
technical data subject to EAR or ITAR

SERVICE ENGINEERING
Otis Elevator Company
Bloomfield, Connecticut USA

Unpublished Work—© Otis Elevator Co.; 2018

Leaflet Description

This leaflet provides spare parts information for hall button interface assembly.

Leaflet Revisions

Date Revised	Subject Matter Expert	Reason for Revision
May 1991	Ali Bozorgzadeh	New SPL
January 24, 2018	Oliver Cai	Added p/ns AAA26800AZM1 and AAA26800AZM2

Related Drawings

Drawing No.	Title	Drawing No.	Title
A7145AH	Hall Button Interface Assembly		

Related Documents

Document ID	Title
---	---

Subject Matter Expert

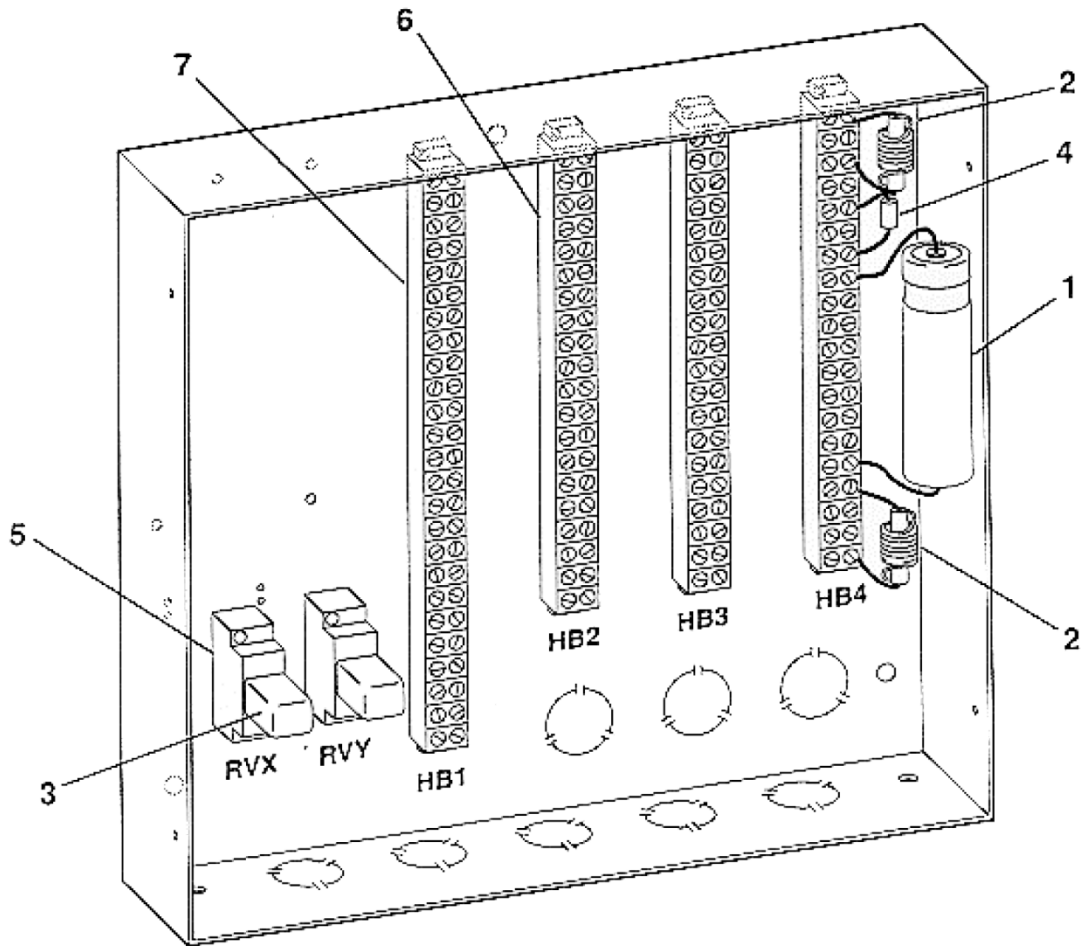
Name	Department
Oliver Cai	OSC Service Engineering

About Spare Parts Leaflets...

This document lists the lowest replaceable units (LRUs) for the standard version of the product. The LRUs are chosen by a team of Otis associates representing engineering and manufacturing.

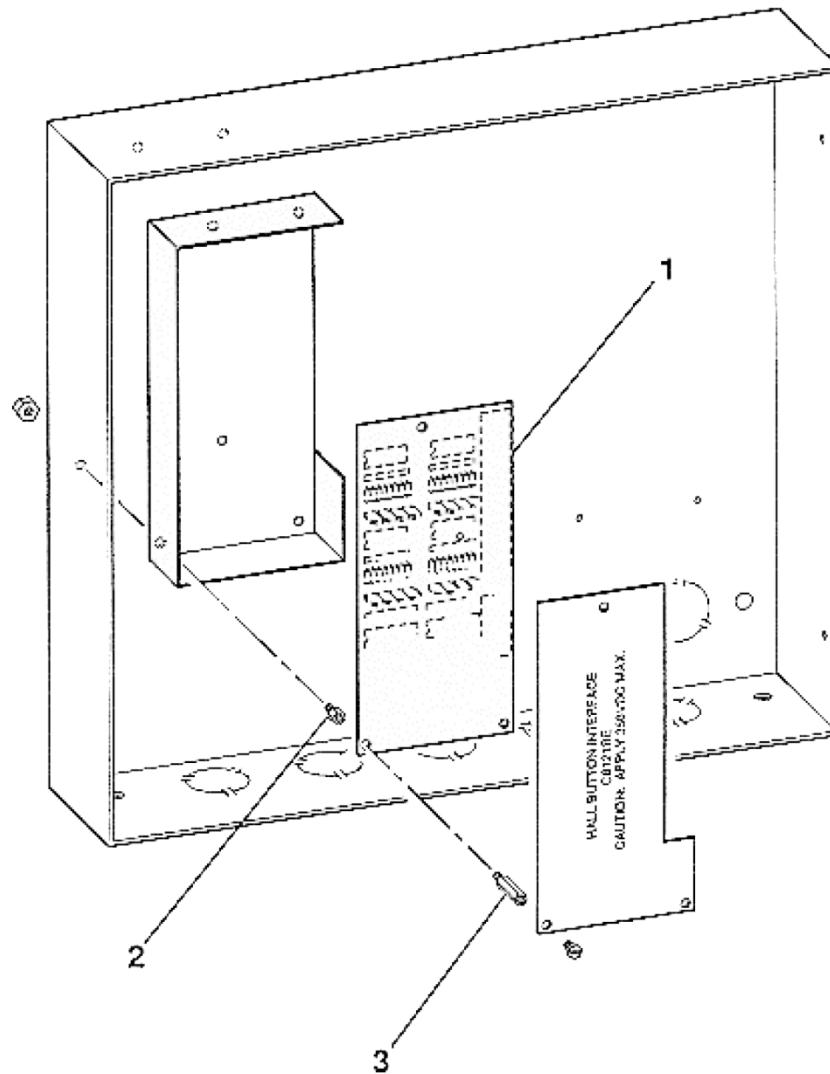
While goal of this document is to make parts identification as easy as possible, the document cannot be all-inclusive. Elevator and escalator contracts classified as "special" or "custom" are not addressed here. For such contracts, please refer to specified information, the contract folder, TIPS, Field Education Articles, Construction Letters, etc. for further information.

If you have any suggestions about this document, please contact the subject matter expert listed on this page.



W/O VINTAGE &
VINTAGE Y 01

REF. No.	PART No.	DESCRIPTION
1	P226CM3	Capacitor (C1)
2	234AA2	Inductor (LL1, LL2)
3	630F3	Relay, 24VDC, 4-Pole, Double-Throw (RVX, RVY)
4	232T44	Resistor, 2 W, 10 Ω (R1)
5	618AE2	Socket, Relay
6	P303CG1	Terminal Block, 20 Terminals
7	P303CG4	Terminal Block, 25 Terminals



W/O VINTAGE &
VINTAGE Y 01

REF. No.	PART No.	DESCRIPTION
1	E8121BE1 AAA26800AZM1	PC Board, Hall Button Interface, Terminal Block
	AAA26800AZM2	PC Board, Hall Button Interface, Wago Connector
2	354AG12	Standoff, 0.438 in. Long
3	354AG13	Standoff, 1.063 in. Long