

Escalator/Trav-O-Lator®

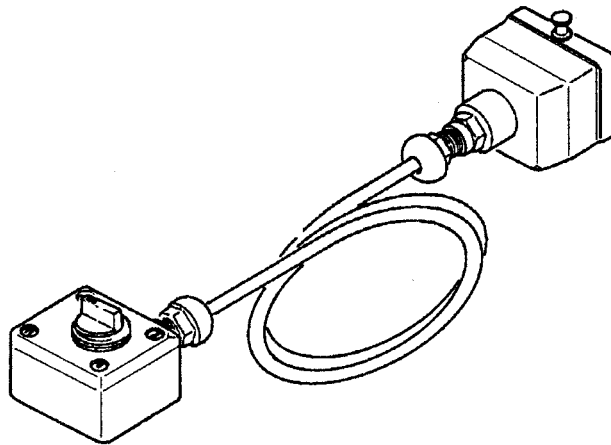
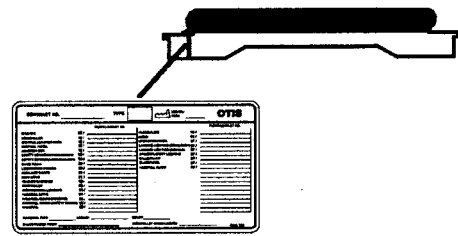
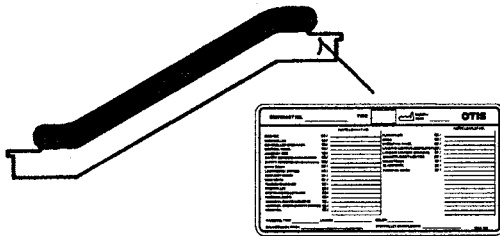
Controller Part, Miscellaneous:

Inspection Device

Spare Parts Leaflet

10-A9701KH

July 1, 2002 / Page 1 of 3



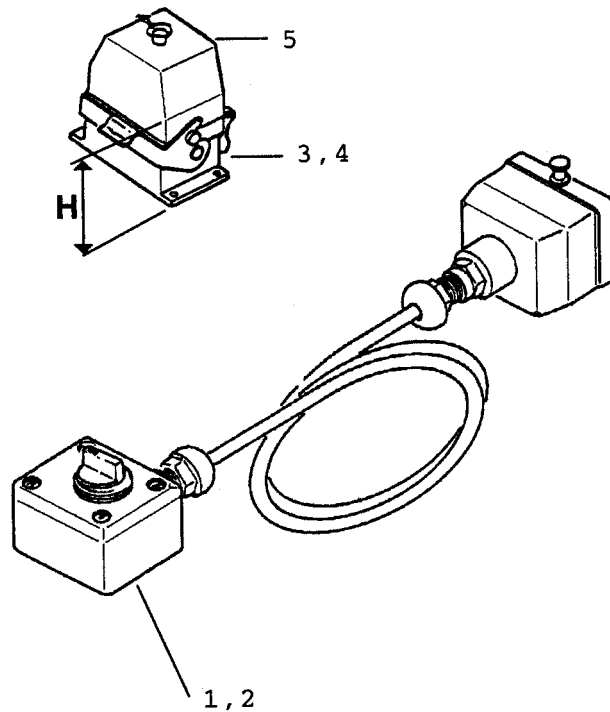
OTIS

Safety First!

SERVICE ENGINEERING
Otis Elevator Company
Bloomfield, Connecticut USA

10-A9701KH

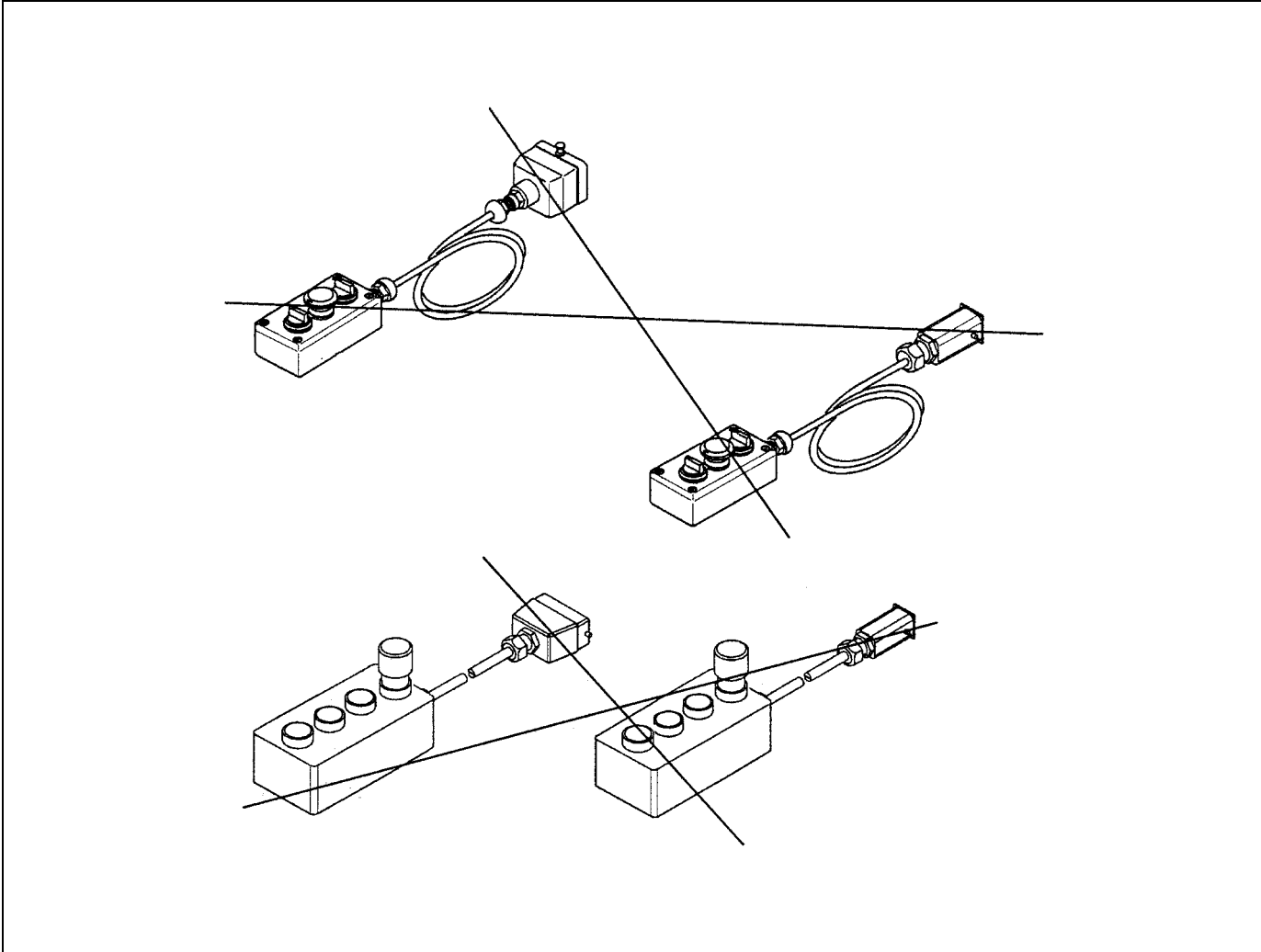
**Escalator/Trav-O-Lator® Controller Part,
Miscellaneous: Inspection Device**




A9701KH		
REF. No.	PART No.	DESCRIPTION
1	A9701KH4	Brake Lifting Device
2	A9701KH5	Brake Lifting Device
3	GAA176DA1	Inspection socket H=54,5 mm
4	GAA176DA2	Inspection socket H=29 mm
5	GO190BH4	Inspection plug

Escalator/Trav-O-Lator® Controller Part,
Miscellaneous: Inspection Device

10-A9701KH



REF. No.	PART No.	DESCRIPTION	
	A9701KH		
	A9701KH4 GAA26220BN3 GBA26220BN3	Inspection device Code: EN115	REPLACED BY:  10-G..26220BX
	A9701KH6 GAA26220BN4 GBA26220BN4	Inspection device Code: Ansi	
	A9701KH7 GAA26220BN1 GBA26220BN1	Inspection device Code: EN115	
	A9701KH8 GAA26220BN2 GBA26220BN2	Inspection device Code: Ansi	