

211M Starter Panel

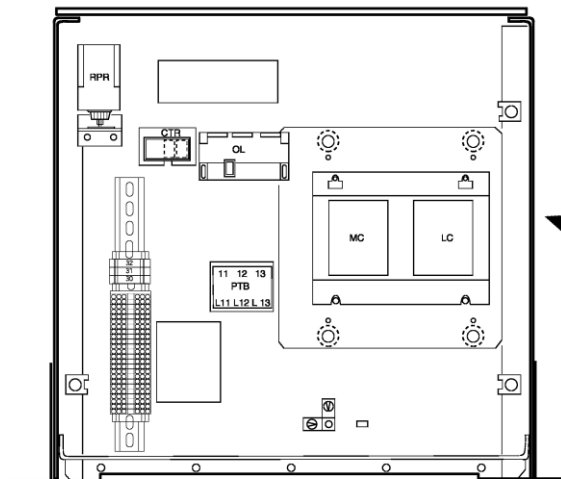
Spare Parts Leaflet

10-AAA21241E

September 21, 2022 / Page 1 of 6

OBSOLESCENCE NOTICE

The product covered in this SPL has been designated as obsolete and is no longer supported. See TIP 32.2-1, *Obsolete Components*, for potential upgrade. Replacement lower-level parts listed within and unique to this design will be reviewed for obsolescence.



| | |
|------------------------------|--------|
| | |
| CONTROLLER | |
| SERIAL No. | |
| SERVICE ORDER No. | |
| CONTRACT No. | |
| MODEL No. | |
| VOLTS | AMPS |
| H.P. | PHASES |
| WIRES | HERTZ |
| COMPONENT VINTAGE NO. | |
| AAA21241E | |
| COMPONENT CODE 10 | |
| LETTER DESIGNATION | |
| WIRING DIAGRAM | |
| DATE | |
| | |
| | |
| | |



This document does not contain any technical data subject to EAR or ITAR

SERVICE ENGINEERING

Otis Elevator Company

Bloomfield, Connecticut USA

Unpublished Work—© Otis Elevator Co.; 2022

Leaflet Description

This leaflet describes the lowest level of replacement parts for the 211M Starter Panel.

Leaflet Revisions

| Date Revised | Subject Matter Expert | Reason for Revision |
|---------------------|--|---|
| June 1, 1995 | Jeffrey S. Costley (Technical Writer) | New SPL |
| August 26, 2003 | Mike Boles | Parts changes pp. 3, 4, and 6 |
| November 4, 2009 | Matt Fournier | Updated AAA660B arrangement. |
| July 21, 2021 | Ali Bozorgzadeh | Added p/n 334AS7 on p. 3 |
| September 21, 2022 | Juan Murillo | Updated to include OBSOLESCENCE note on cover |

Related Drawings

| Drawing No. | Title | Drawing No. | Title |
|--------------------|-----------------|--------------------|--------------|
| AAA21241E | 211M Controller | --- | --- |
| --- | --- | --- | --- |

Related Documents

| Document ID | Title |
|--------------------|--------------|
| --- | --- |

Subject Matter Expert

| Name | Department |
|-----------------|-------------------------|
| Ali Bozorgzadeh | OSC Service Engineering |

About Spare Parts Leaflets...

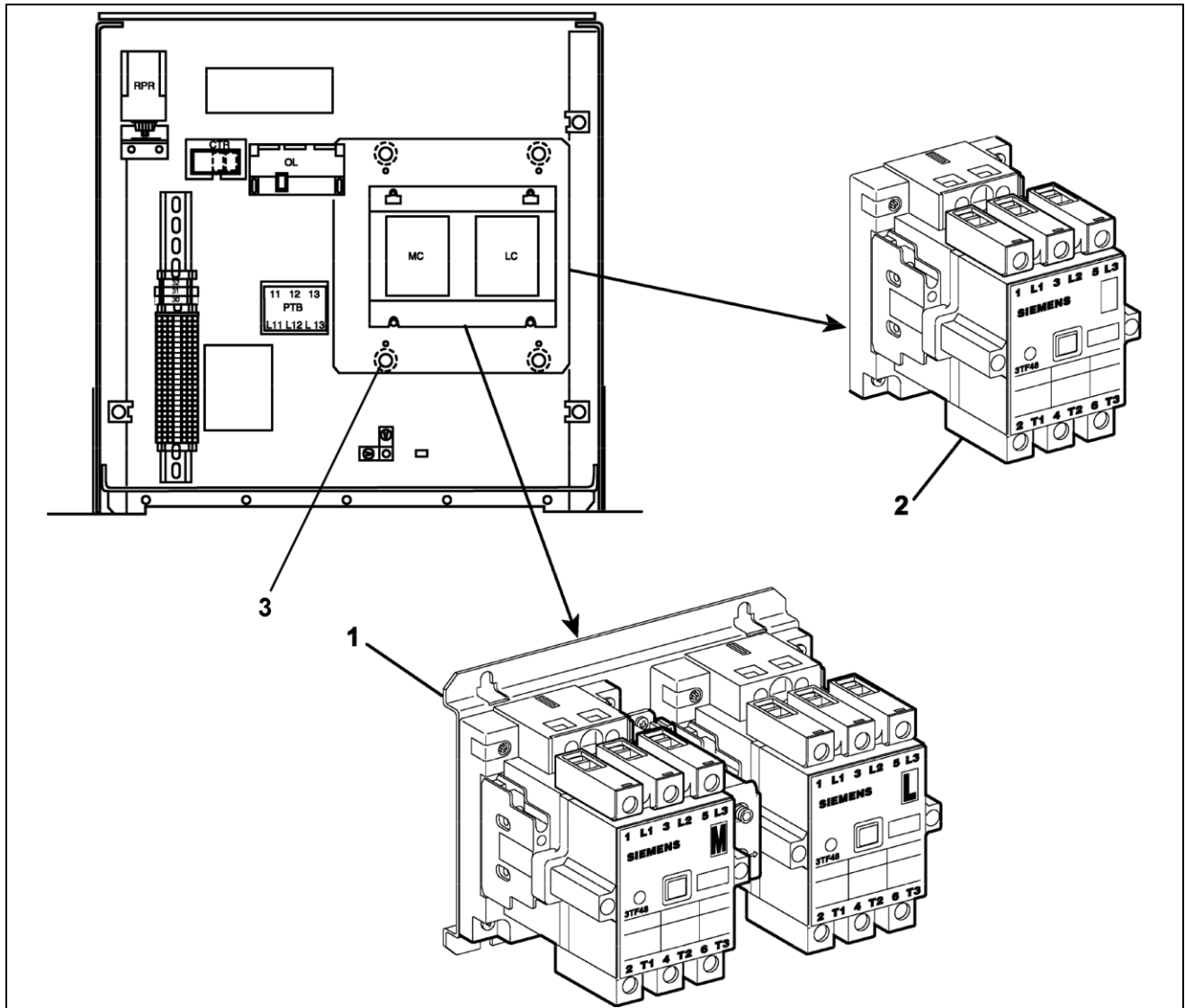
This document lists the lowest replaceable units (LRUs) for the standard version of the product. The LRUs are chosen by a team of Otis associates representing engineering and manufacturing.

While goal of this document is to make parts identification as easy as possible, the document cannot be all-inclusive. Elevator and escalator contracts classified as "special" or "custom" are not addressed here. For such contracts, please refer to specified information, the contract folder, TIPs, Field Education Articles, Construction Letters, etc. for further information.

If you have any suggestions about this document, please contact the subject matter expert listed on this page.

211M Starter Assembly

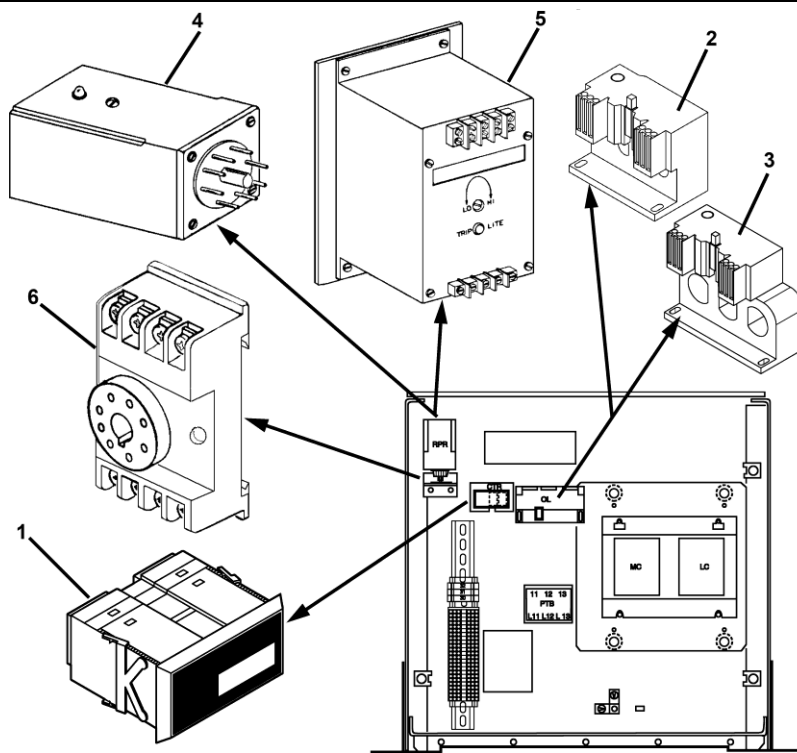
10-AAA21241E



| AAA21241E | | | |
|------------------|-------------------------|---|------------------------|
| REF. No. | PART No. | DESCRIPTION | SYMBOL |
| 1 | AAA638W7 AAA638W107 | Contactors, AC Reversing, NEMA 2, 10-30 HP @ 440-600 V, Wye-Delta | MC, LC Wye Delta |
| | AAA638D7 AAA638D107 | Contactors, AC Reversing, NEMA 3, Wye-Delta, 10-30 HP @ 208-240V, >30-50 HP @ 440-600 V | |
| | AAA638F7 AAA638F107 | Contactors, AC Reversing, NEMA 4, Wye-Delta, >30-50 HP @ 208-240 V | |
| 2 | AAA638R7 AAA638R107 | Contactors, AC, NEMA 2, 10-30 HP @ 440-600 V | PMC Across the Line |
| | AAA638A10 AAA638A110 | Contactors, AC, NEMA 3, 10-30 HP @ 208-240 V, >30-50 HP @ 440-600 V | |
| 3 | 334AS7 | Mount, Rubber | |

10-AAA21241E

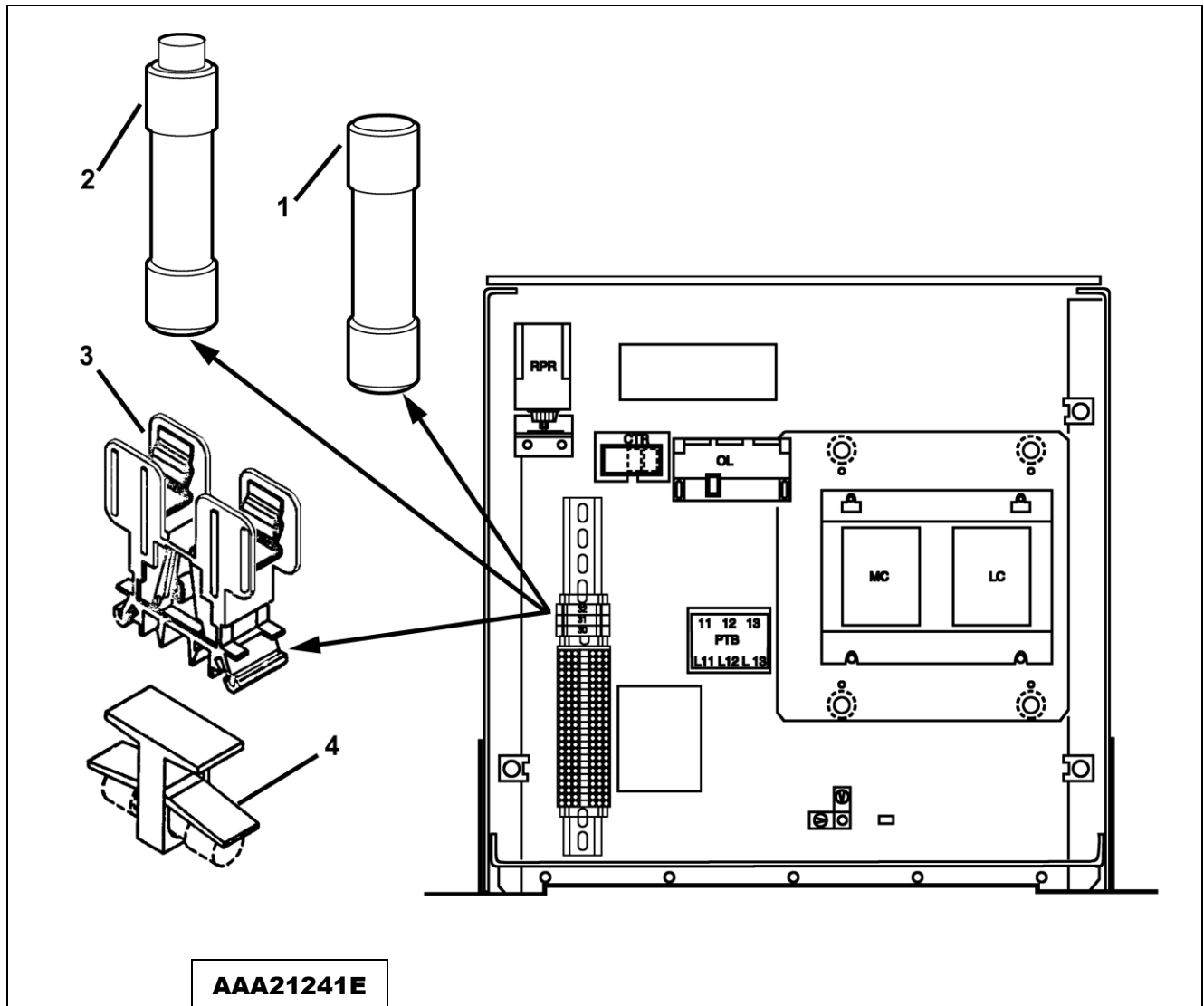
211M Starter Assembly



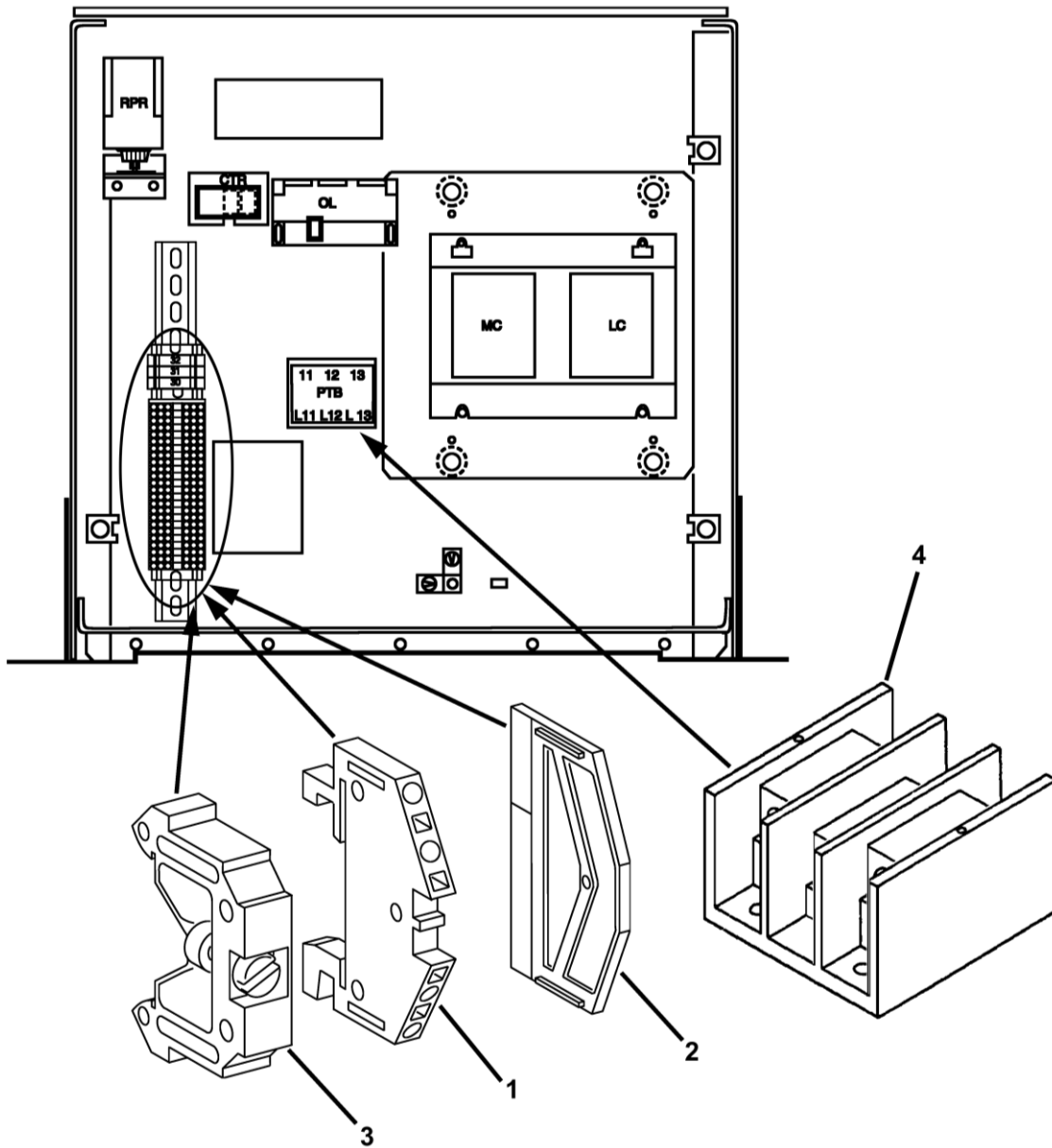
| AAA21241E | | | |
|----------------------|---------------------------------------|----------------------------------|--------|
| REF. No. | PART No. | DESCRIPTION | SYMBOL |
| 1 | CAA623C1 CAA623C2 | Counter | CTR |
| 2 | AAA660B7 AAA660B107 AAA660B207 | Relay, Overload, 10–40 A | OL |
| | AAA660B8 AAA660B108 AAA660B208 | Relay, Overload, 10–40 A | |
| | AAA660B9 AAA660B109 AAA660B209 | Relay, Overload, 25–100 A | |
| 3 | AAA660B10 AAA660B110 AAA660B210 | Relay, Overload, 25–100 A | |
| | AAA660B11 AAA660B111 AAA660B211 | Relay, Overload, 50–200 A | |
| | 4 | P613BV1 AAA630AC1 | |
| P613BV2 AAA630AC2 | | Relay, Reverse Phase, 440-480 V | |
| 5 | P613BV3 AAA630AC3 | Relay, Reverse Phase, 575-600 V | |
| 6 | AAA618AF7 | Socket (for reverse phase relay) | |

Fuses

10-AAA21241E



| AAA21241E | | | |
|-----------|------------|--|---------------|
| REF. No. | PART No. | DESCRIPTION | SYMBOL |
| 1 | AAA375BJ18 | Fuse, 2.0 A, 500 V, 7300AC, O-AC Operator @ 575-600 V | F33, F34, F35 |
| | AAA375BJ25 | Fuse, 3.5 A, 500 V, 7300AC, O-AC Operator @ 440-480 V | |
| | AAA375BJ27 | Fuse, 4.5 A, 500 V, 7300AC, O-AC Operator @ 208-240 V | |
| 2 | AAA375BK26 | Fuse, Reject, 3.0 A, 600 V AC, 7300AC, O-AC Operator @ 575-600 V | F30, F31, F32 |
| | AAA375BK29 | Fuse, Reject, 4.0 A, 600 V AC, 7300AC, O-AC Operator @ 440-480 V | |
| | AAA375BK36 | Fuse, Reject, 7.7A, 600 V AC, 7300AC, O-AC Operator @ 208-240 V | |
| 3 | AAA653K1 | Holder, Fuse | --- |
| 4 | AAA653K100 | Puller, Fuse | --- |



AAA21241E

| REF. No. | PART No. | DESCRIPTION | SYMBOL |
|----------|-------------|--|--------|
| 1 | AAA303EP1 | Terminal Block, Gray, 26-14 AWG, 4 Entries | TB40 |
| | AAA303EP19 | Terminal Block, Blue, 26-14 AWG, 4 Entries | |
| 2 | AAA303EP3 | Terminal Block End Plate, 0.09 in. Thick | |
| 3 | AAA303EP5 | Terminal Block End Plate, 0.39 in. Thick | |
| | AAA303EP105 | | |
| 4 | AAA303FT5 | Terminal Block, Power | PTB |
| 5 | AAA303FT100 | Terminal Block, Cover (part not shown) | PTB |