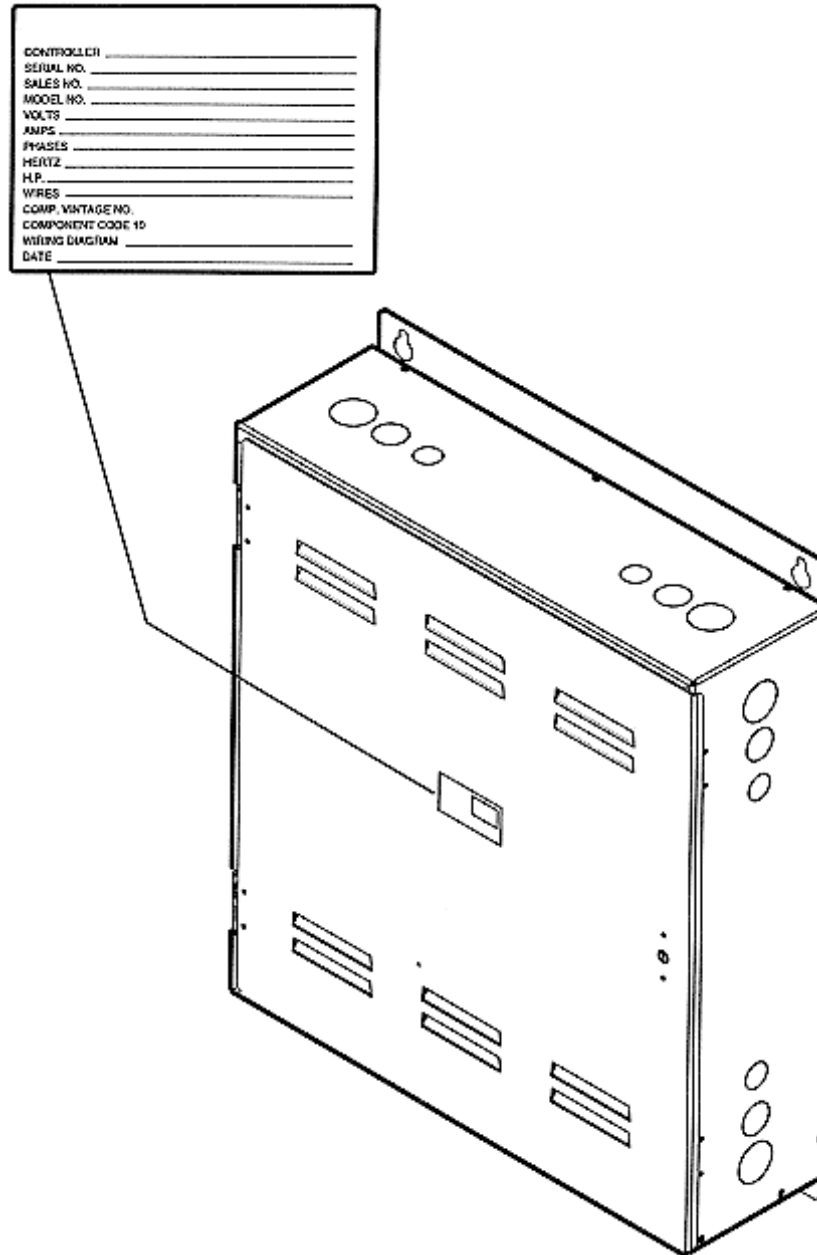


# SPL 10-AAA21241N - QL Operator, Interface Assembly, LVM/211

Unpublished Work - © Otis Elevator Company. Any unauthorized reproduction, disclosure, or distribution of copies or content by any person of any portion of this work may be a violation of Copyright Law of the United States of America. All rights reserved.

Supersedes 23-AAA21241N Dated January 1997  
**September 1997**

Page 1



**SPL 10-AAA21241N - QL Operator, Interface Assembly, LVM/211**

**Page 2**

REVISED DATE	RESPONSIBLE ENGINEER	PRIMARY REASON FOR REVISION
January 1997	Ali Bozorgzadeh	Changed Component Code from 23 to 10.

**Leaflet Description**

RELATED LEAFLETS	
10-AAA21241K	LR95/211 Hydraulic Controller

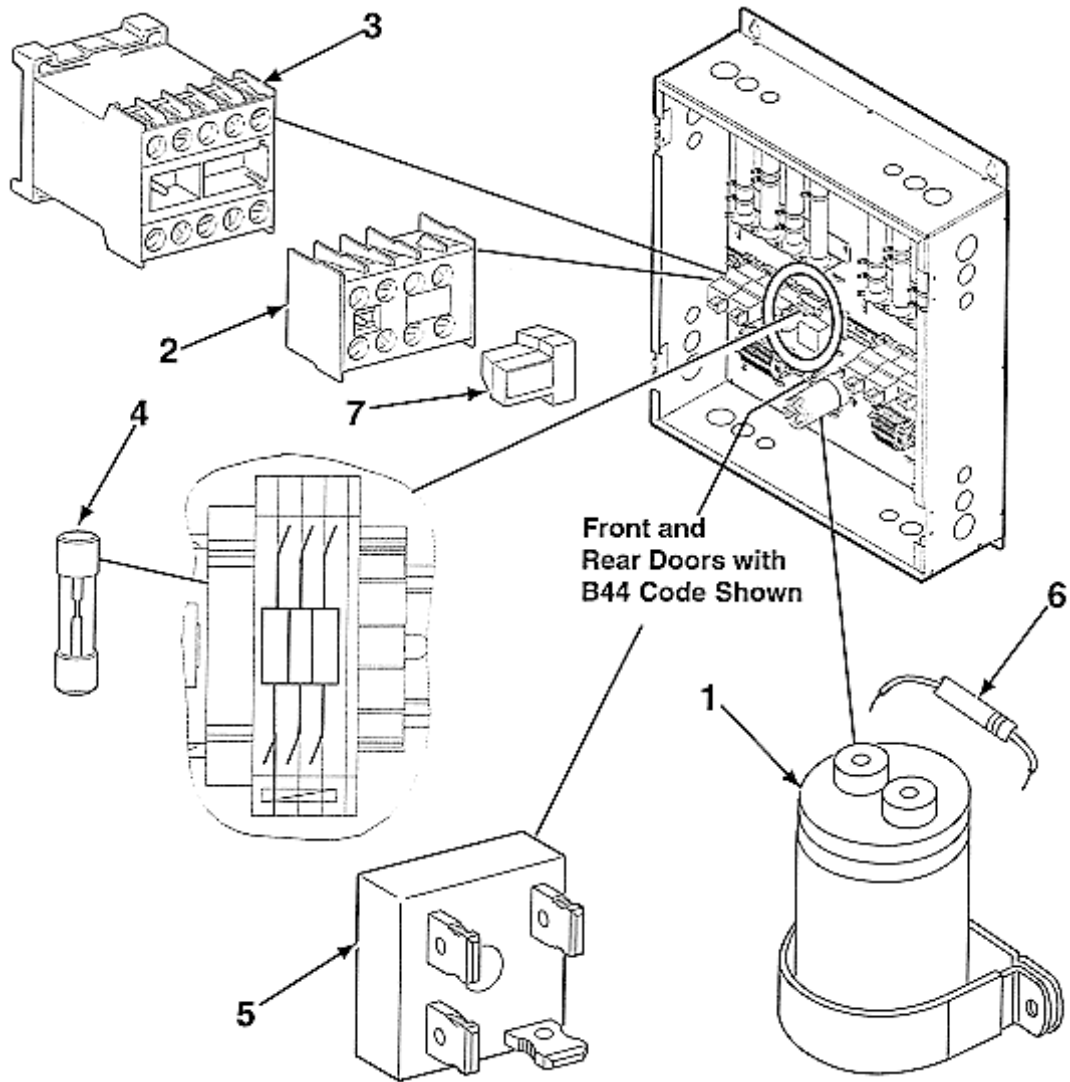
DRAWING REFERENCES

RELATED DOCUMENTS

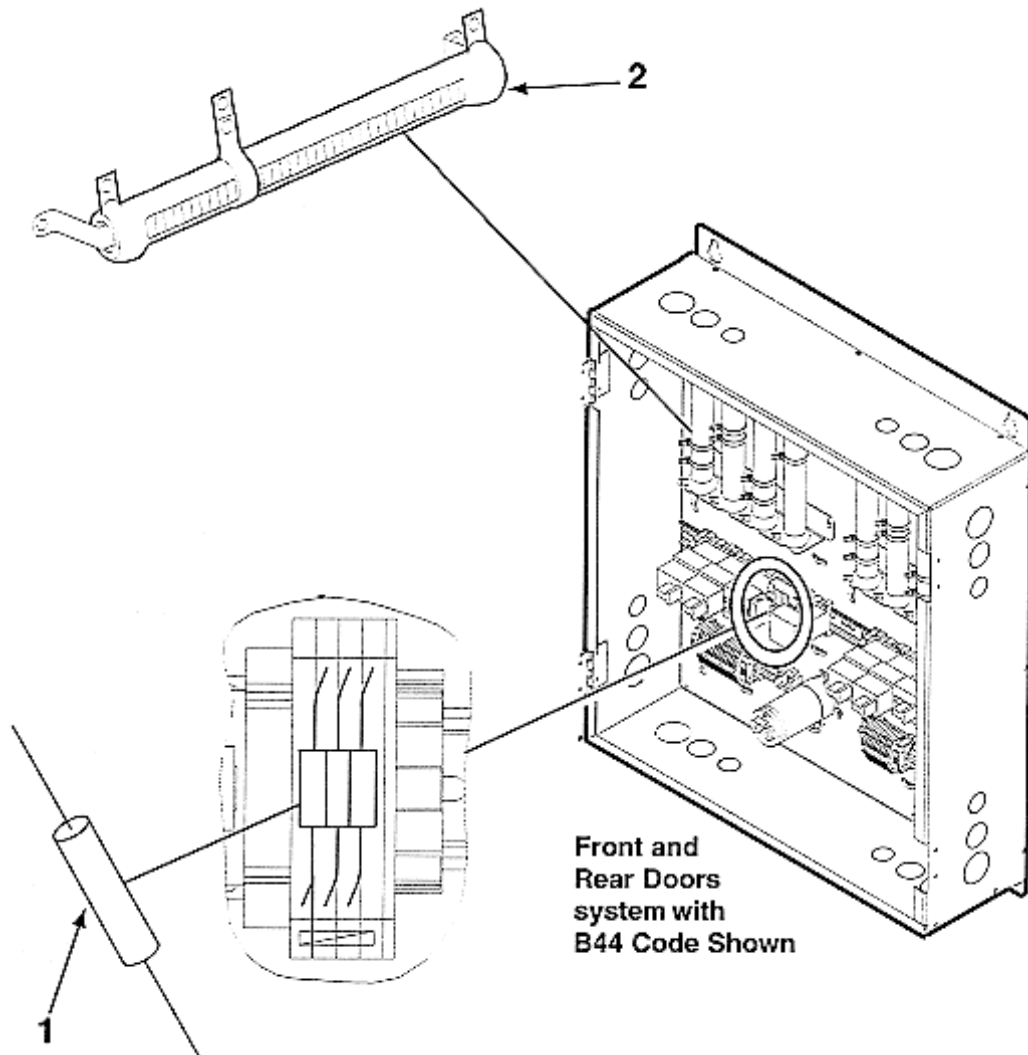
This Spare Parts Leaflet (SPL) is prepared to assist you in determining the Lowest Replaceable Units (LRU) supported by the Otis Service Center for the standard version of the product titled on the preceding page. The parts are chosen by Otis associates from: Engineering, Field Engineering, Service Engineering, and Manufacturing. We attempt to make part identification as easy as possible. The SPL, however, cannot be all inclusive. Elevator and escalator contracts classified as either "special" or "custom" are not addressed. Alternative sources of information such as: the Contract Folder, Technical Information Publications, Field Education Articles, Construction Letters, etc. may give the information you are after. You live in the real world of maintaining you elevator and escalator contracts. On a daily basis, situations arise regarding parts identification and at times, for some reason, the part you need is not in the SPL. If you think a standard part not listed should be -- let us know. We will respond.

Service Engineering

Page 3 - QL DOOR OPERATOR INTERFACE



AAA21241N			
REF. NO.	PART OR ML	DESCRIPTION	SYMBOL
1	AAA226FN5	Capacitor	RC10, RRC10
2	AAA638S201	Contact, Auxiliary	DO, DC, RDO, RDC
3	AAA638B5	Contactor, 24VDC, 3 NO, 1 NC Contacts	DO, DC, NDG, DHC RDO, RDC, RNDG
4	AAA375BR12	Fuse, Time Delay, 3A, 250V	F30, F31
5	AAA612AM4	Rectifier, Bridge, 1-Phase, 25A	DRF, RDRF
6	AAA232FP94	Resistor, Carbon, 75KW, 2W	RC10, RRC10
7	AAA613CX304	Suppressor, Surge	DO, DC, NDG, RDC RDO, RNDG, DHC



AAA21241N			
REF. NO.	PART OR ML	DESCRIPTION	SYMBOL
1	AAA232FC31	Resistor, Power, 56W, 3W, 3.64 in.Length	R11 - R14, RR11-RR13
2	AAA617K10	Resistor, 250W, 225W	R1, RR1
	AAA617K8	Resistor, 50W, 225W	R3, R4, RR3, RR4
	AAA617K19	Resistor, 75W, 225W	R2, RR2