

Controller: E411MC

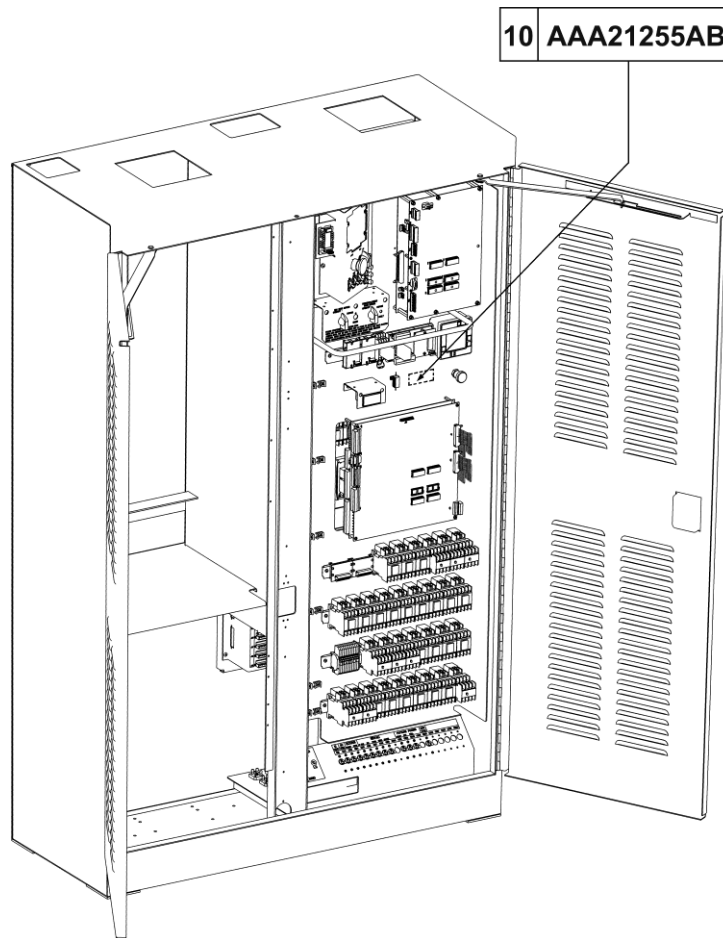
Spare Parts Leaflet

10-AAA21255AB

September 14, 2022 / Page 1 of 22

OBSOLESCENCE NOTICE

The product covered in this SPL has been designated as obsolete and is no longer supported. See TIP 32.2-1, *Obsolete Components*, for potential upgrade. Replacement lower-level parts listed within and unique to this design will be reviewed for obsolescence.



OTIS

This document does not contain any technical data subject to EAR or ITAR

SERVICE ENGINEERING

Otis Elevator Company

Bloomfield, Connecticut USA

Unpublished Work—© Otis Elevator Co.; 2022

Leaflet Description

This leaflet lists spare parts for the E411MC model used in modernization. Based on the controller components, this leaflet is organized in four sections: back panel (see pages 3-13), power supply (see page 14), swing panel (see pages 15-20), and hall interface components (see page 21).

Leaflet Revisions

Date Revised	Subject Matter Expert	Reason for Revision
December 20, 2006	Chris Koenig	New SPL
October 7, 2008	Chris Koenig	Updated ref. 11 on p. 14 to reflect new vintage
October 28, 2009	Ali Bozorgzadeh	Added AAA613CZ9, 618AE2, & AAA00605AAA014 on p. 20
April 4, 2012	Ali Bozorgzadeh	Corrected part number in Ref. 9 on p. 16
February 17, 2016	Ali Bozorgzadeh	Added pn AAA21305DJ1 and NOTE on p. 17
June 27, 2018	Patrick Martin	Added GECB-GCS arrangement, pp. 18 & 19
January 20, 2021	Patrick Martin	Added p/n JHA26807CBN15 on p. 18, Ref. 2 and 3
February 24, 2021	Patrick Martin	Corrected p/n in Ref. 1; Added connector description and OCSS software baseline ***31690*** on p. 18; Added p/n Ref.1 and 2 on p. 19.
February 16, 2022	Merlene Buchanan	Superseded p/n AAA635B10 to p/n AAA635B12 on p. 13
September 14, 2022	Juan Murillo	Updated to include OBSOLESCENCE note on cover

Related Drawings

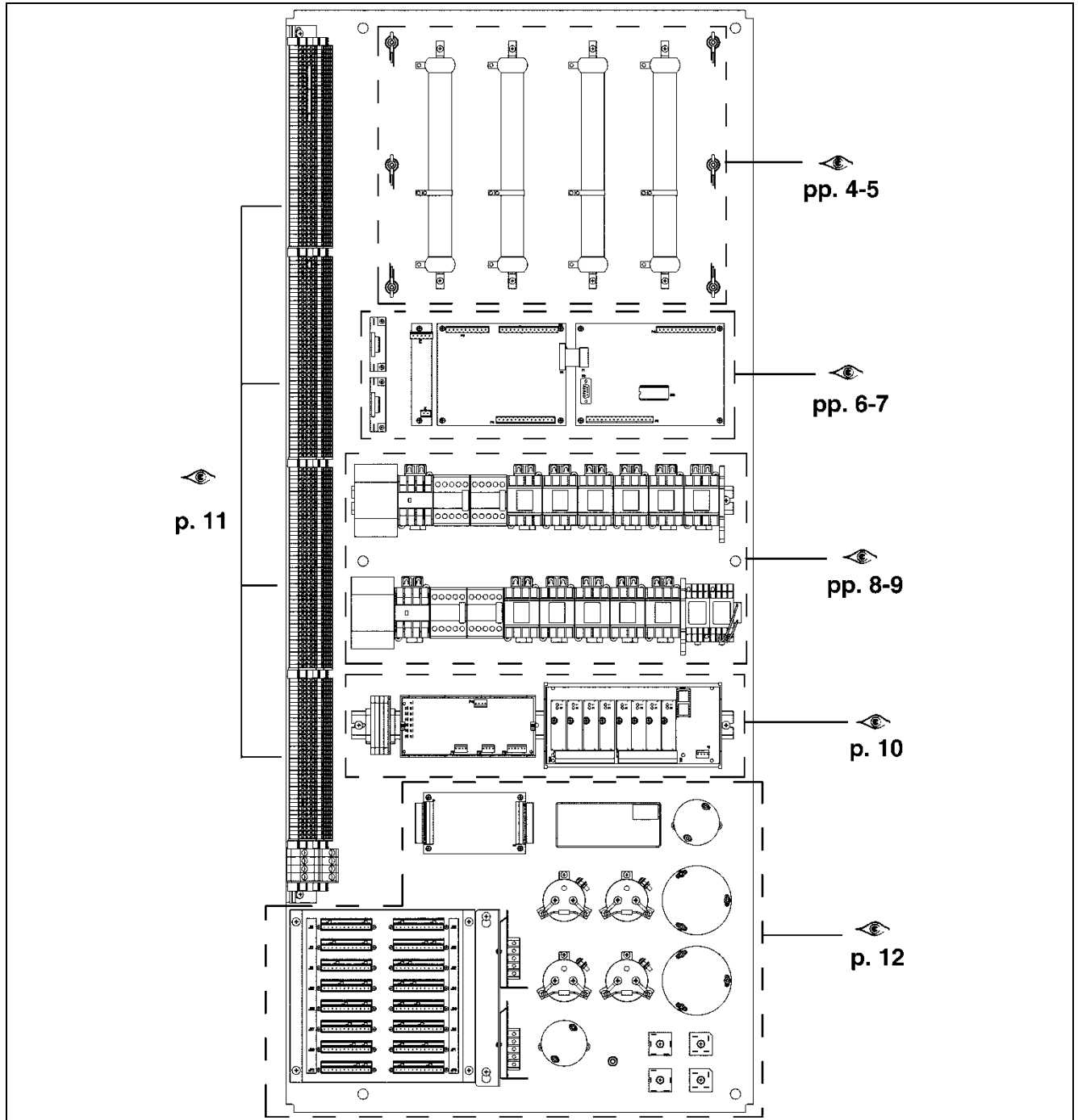
Drawing No.	Title	Drawing No.	Title
AAA21255AB	Assembly, Back Panel, E411MC	ADA21255AD	Assembly, Swing Panel, E411MC
AAA21255AC	Assembly, Power Supply, E411MC	AAA21255AE	Assembly, Hall Panel, E411MC

Related Documents

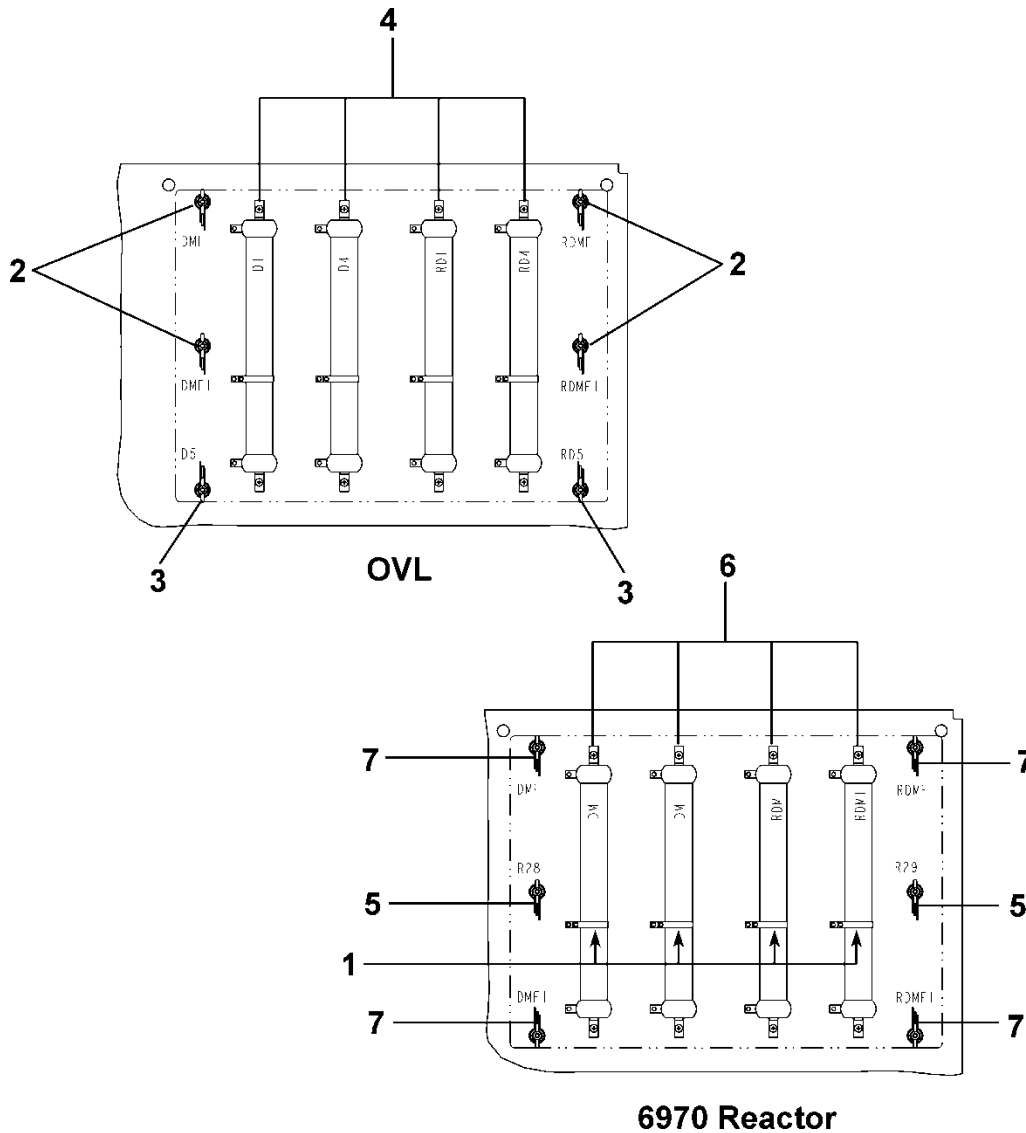
Document ID	Title
SPL 10-AAA447AC	<i>PC Board Mating Connectors</i>
TIP 31.5-31	<i>AAA31690AAB (v1) & AAA31690BAB (v2) Baseline Upgrade (with DLF Operational Correction*)</i>

Subject Matter Expert

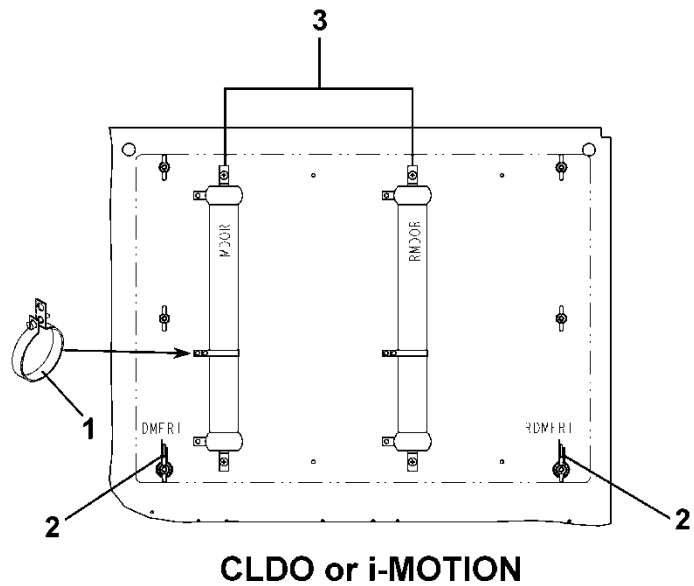
Name	Department
Ali Bozorgzadeh	OSC Service Engineering



PAGE No.	DESCRIPTION
12	Connector & Capacitor
10	I/O Module
6-7	Door Interface PC Boards
8-9	Relays
4-5	Resistors
11	Terminal Block

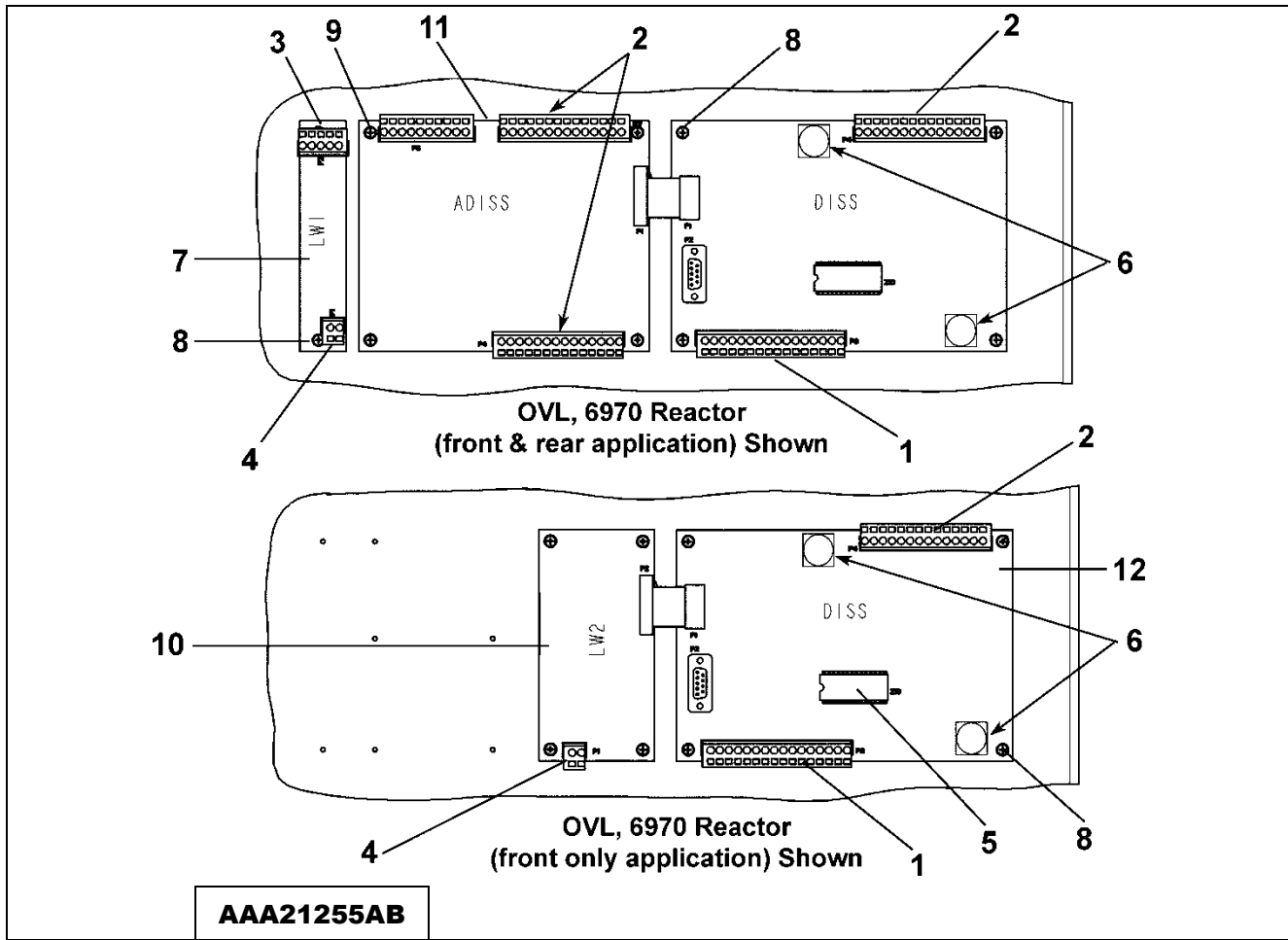


AAA21255AB		DESCRIPTION		
REF. No.	PART No.			
1	AAA617K102	Lug, Variable Resistor, 225 Watt	D1, D4 or DM, DM1 RD1, RD4 or RDM, RDM1	For Both OVL and 6970 Applications.
2	232B8	Resistor, 75 Ohm	DMF, DMF1, RDMF, RDMF1	OVL Application
3	232B13	Resistor, 300 Ohm	D5, RD5	
4	AAA617K10	Resistor, 250 Ohm	D1, D4, RD1, RD4	
5	232B1	Resistor, 5 Ohm	R28, R29	6970 Reactor
6	AAA617K8	Resistor, 50 Ohm	DM, DM1, RDM, RDM1	
7	232B15	Resistor, 500 Ohm	DMF, DMF1, RDMF, RDMF1	



AAA21255AB				
REF. No.	PART No.	DESCRIPTION		
1	AAA617K102	Lug, Variable Resistor, 225 Watt	MDOR, RMDOR	CLDO or i-MOTION Application
2	232B8	Resistor, 75 Ohm	DMFR1, RDMFR1	
3	AAA617K16	Resistor, 250 Ohm	MDOR, RMDOR	

**PCB Configurations: OVL
or 6970 Reactor Application**

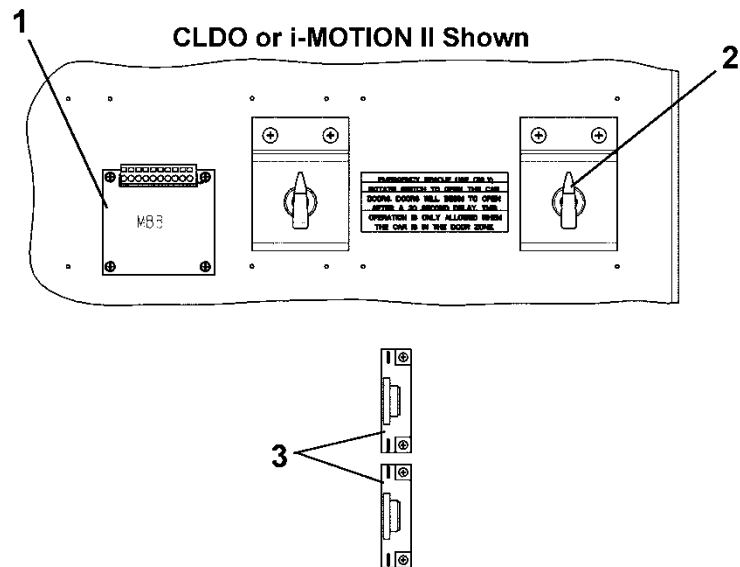


AAA21255AB

REF. No.	PART No.	DESCRIPTION	
1	AAA447AP27	Connector, 16-Position, (DISS-P3)	OVL or 6970 Reactor Applications
2	AAA447AP26	Connector, 14-Position, (DISS-P4, ADISS-P3, P4)	
3	AAA447AP19	Connector, 5-Position (LW1-P2)	
4	AAA447AP16	Connector, 2-Position (LW1-P1, LW2-P1)	
5	AAA616KH1	EPROM, Blank	
	GAA30154CAA	EPROM, Programmed	
6	AAA375BY8	Fuse, 2A (DISS, F1, F2)	
7	AAA26800GM1	Interface, Loadweighing	
8	AAA27076CM4	Kit, Mounting Hardware, (DISS, LW1, LW2)	
9	AAA27076CM5	Kit, Mounting Hardware, (ADISS)	
10	AAA26800LM1	PCB, Loadweighing	
11	ABA26800KK4	Subassembly, Alternate Door Interface	
12	C9693MB2	Subassembly, Door Interface	

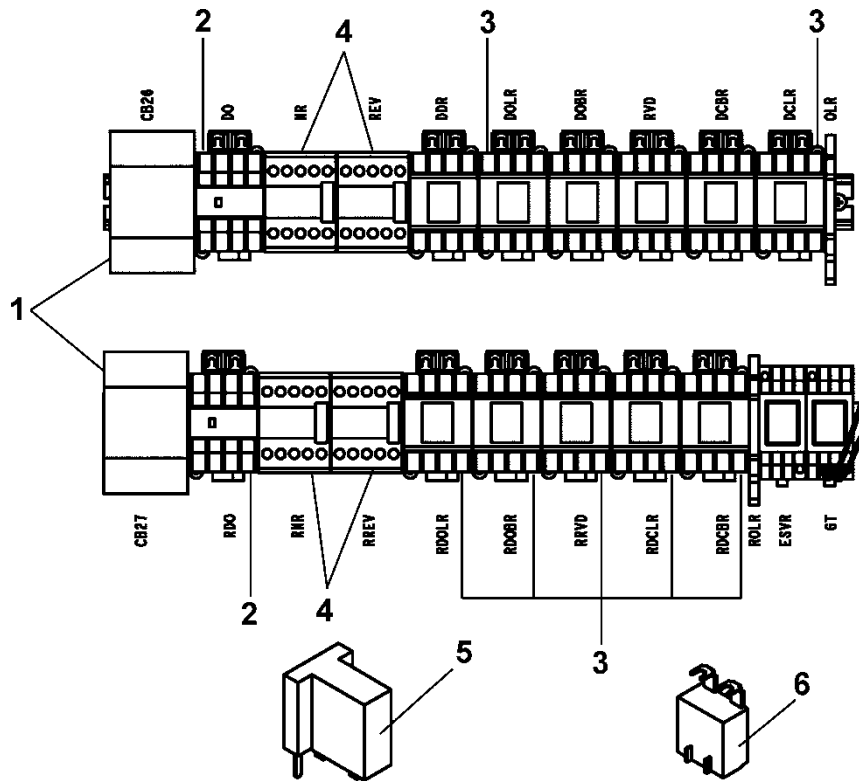
PCB Configurations: CLDO or i-MOTION II Application

10-AAA21255AB



AAA21255AB				
REF. No.	PART No.	DESCRIPTION		
*	AAA27076CM4	Kit, Mounting Hardware	MBB	For CLDO, or i-MOTION II Applications
1	AAA26800MJ1	PCB, Multidrop Buffer		
2	AAA636E9	Switch, Rotary	S1, RS1	
3	AAA623AA7	Timer	T1, RT1	

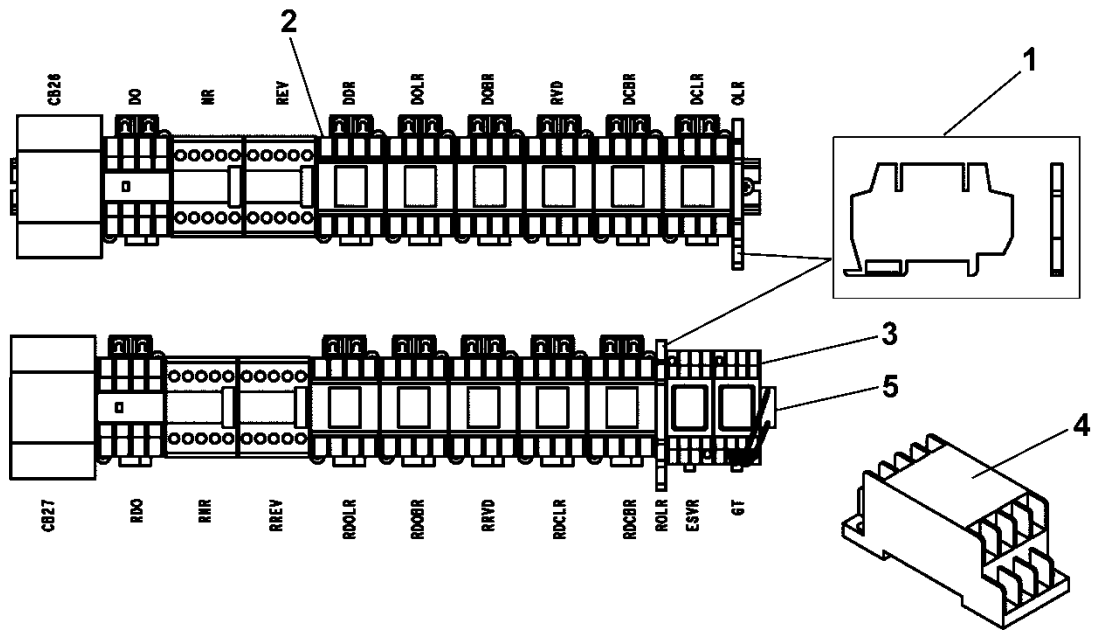
* Part not shown.



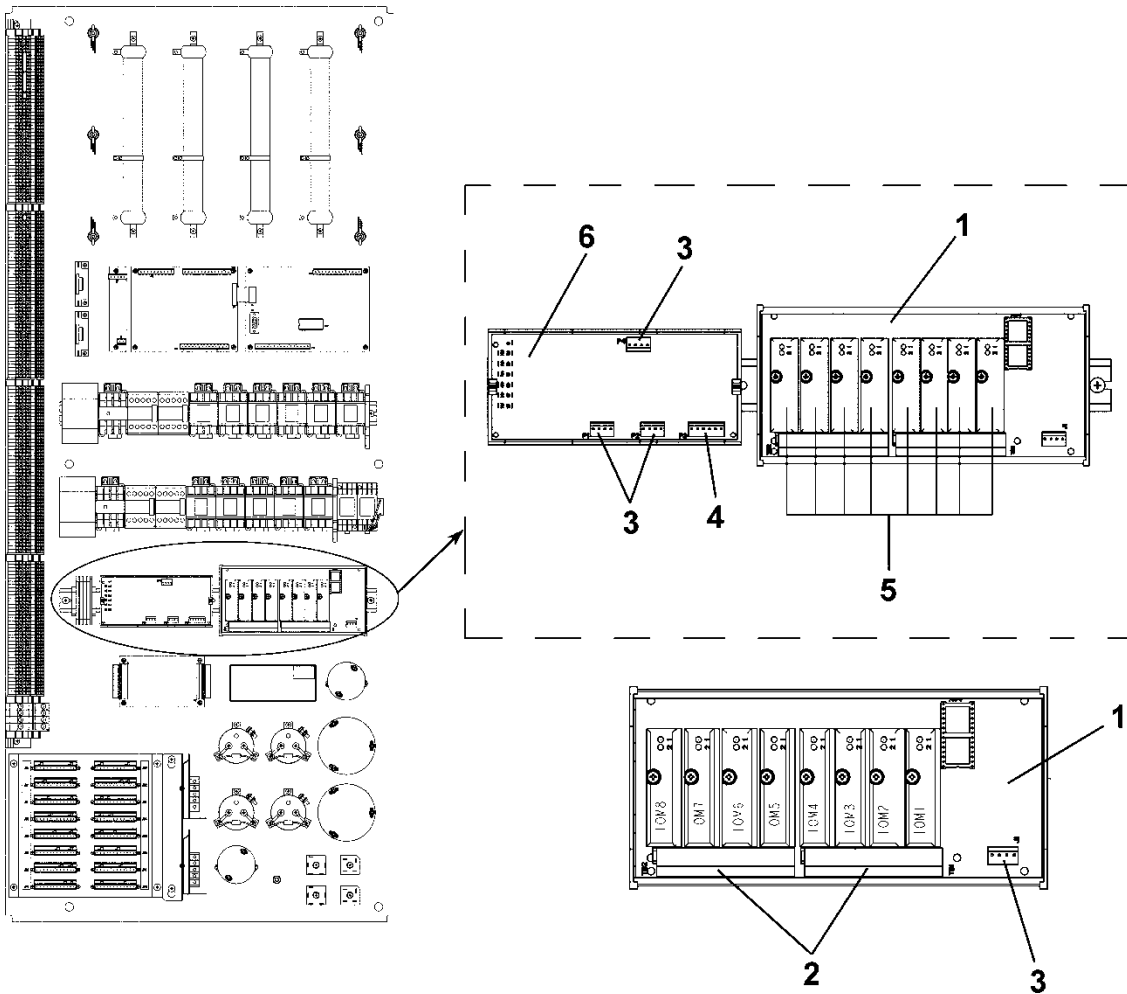
AAA21255AB			
REF. No.	PART No.	DESCRIPTION	
1	AAA00375AAJ006	Breaker, Circuit, Triple-Pole, 4 Amp	CB26, CB27
2	AAA613DL21	Relay, General Purpose, 5NO, 3NC, 600 V	DO, RDO
3	AAA613DL31	Relay, General Purpose, 2NO, 2NC, 600 V	DOLR, DCLR, RDOBR, RRVD, RDCBR, RDCLR, RDOLR, DOBR, RVD, DCBR
4	AAA638B102	Relay, Contactor, 3NO, 1NC, 120 V, 50/60 Hz	NR, REV, RNR, RREV
5	AAA613CX705	Suppressor, 127 VAC-240 VAC	NR, REV, RNR, RREV
6	AAA613DL61	Suppressor, 100 VAC-240 VAC	DO, DDR, DOLR, RDOBR, RRVD, RDCBR, RDO, DCLR, RDCLR, RDOLR, DOBR, RVD, DCBR

Relays

10-AAA21255AB



AAA21255AB			
REF. No.	PART No.	DESCRIPTION	
1	AAA303EP199	Relay	OLR, ROLR
	GAA613HK2	Relay, End Plate	OLR, ROLR
2	AAA613DL29	Relay, 4NO, 600 V	DDR
3	AAA613CZ9	Relay, General Purpose, 115 VAC, Socket Mount w/LED Indicator	GT, ESVR
4	618AE2	Socket, Electrical Relay, Surface or Rail Mount	
5	AAA00605AAA014	Suppressor, RC, 125 VAC, 200 VDC	

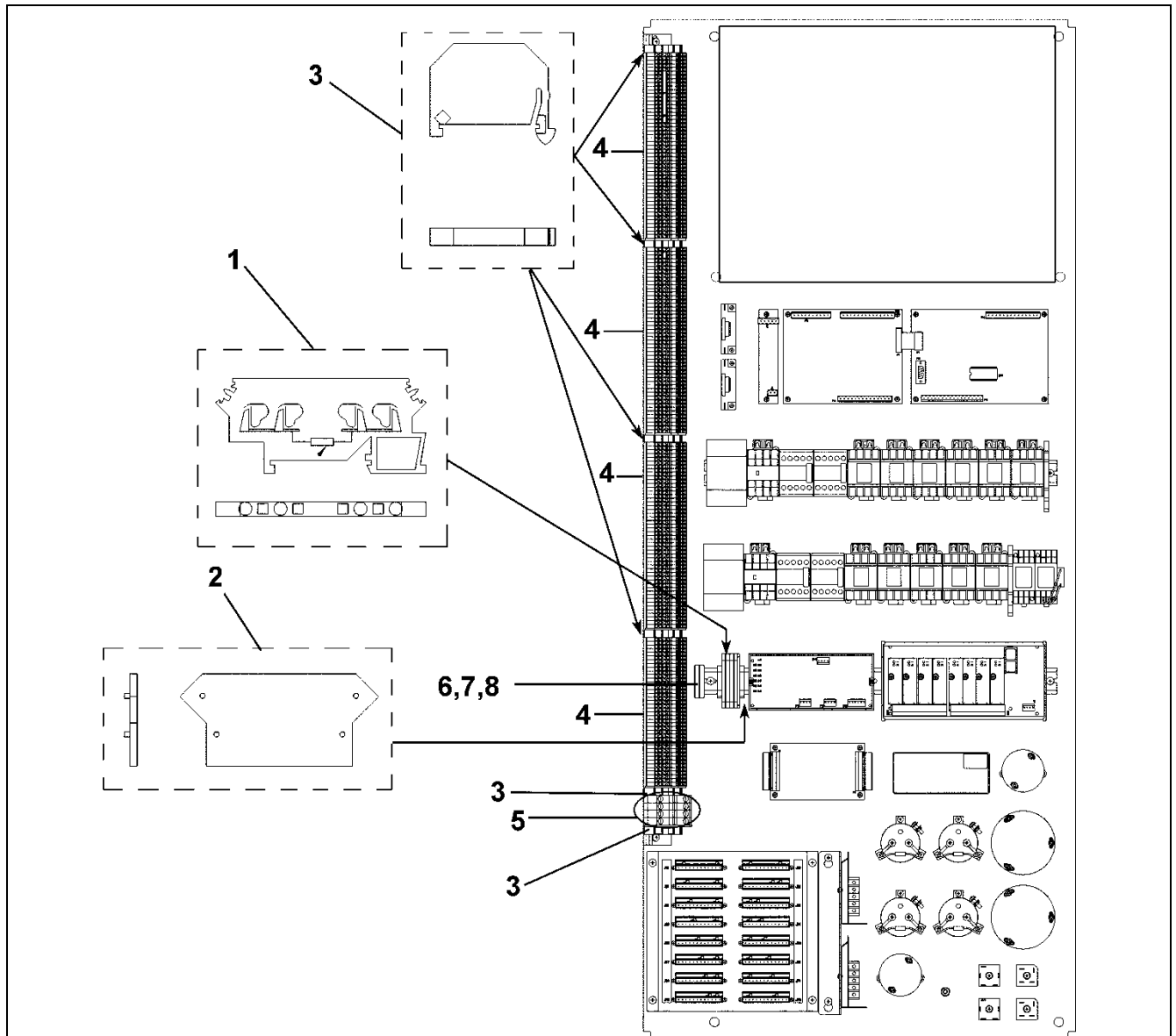


AAA21255AB		
REF. No.	PART No.	DESCRIPTION
1	AAA21380S1	Board, Emergency Operation Interface (EOIB)
2	AAA447AD9	Connector, EOIB, 1TB, 2TB
3	AAA447AC24	Connector, EOIB, (J1), SOM, (P1, P2, P4), NOTE
4	AAA447AC57	Connector, SOM, (P3), NOTE
5	ABA26890A2	Module, I/O
6	GEA26800AL1	Module, Switchover, SOM

NOTE: Tools MT-115038 and MT-115038-1 are required to crimp connector (ref. 3-4).

Terminal Block Assembly

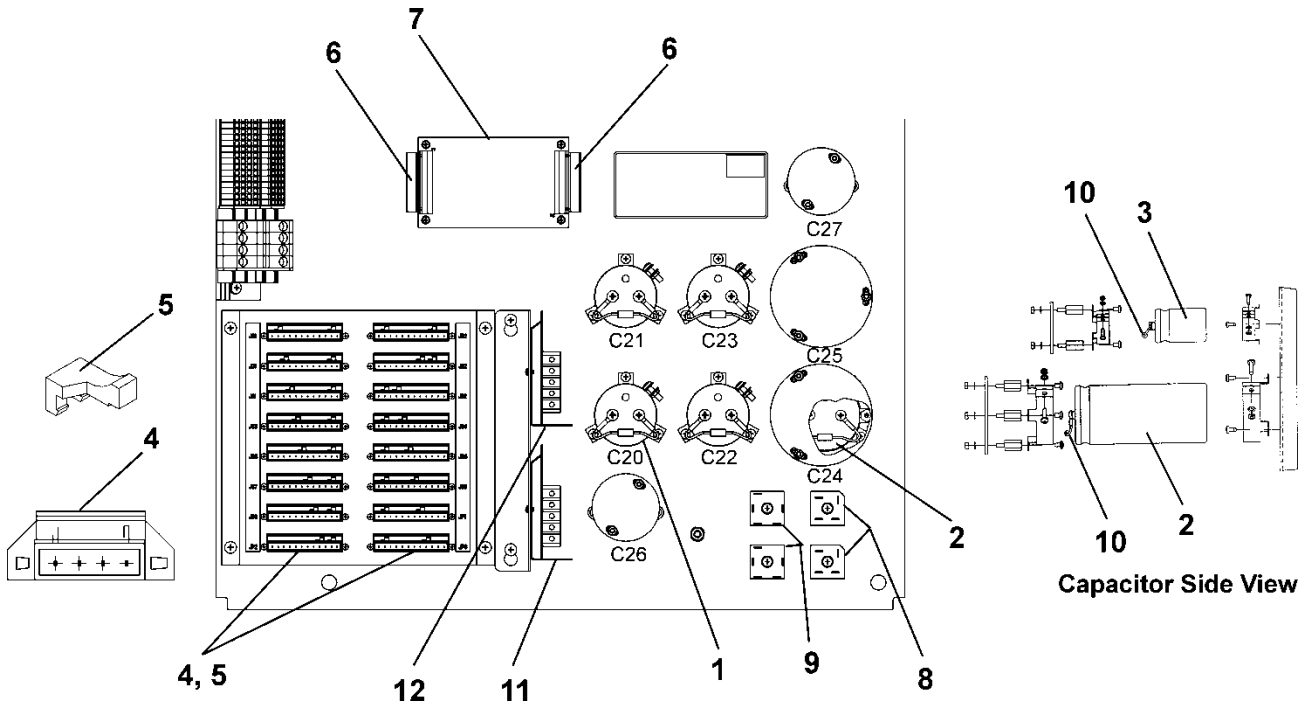
10-AAA21255AB



AAA21255AB		
REF. No.	PART No.	DESCRIPTION
1	AAA303EP36	Block, Terminal, w/250 V, 1 Amp Diode
2	AAA303EP60	Block, Terminal, End Plate, Orange
3	AAA303EP131	Block, Terminal, End Stop, Grey
4	AAA303EP1	Block, Terminal, #14 AWG, Grey
5	AAA303EP51	Block, Terminal, #10 AWG
6	AAA653E3	Holder, Fuse, (FAK1, FAK2)
7	AAA653E100	Fuse, End Plate (FAK2)
8	AAA375BR6	Fuse, 1A, 250 V (FAK1, FAK2)

10-AAA21255AB

Connectors and Capacitors



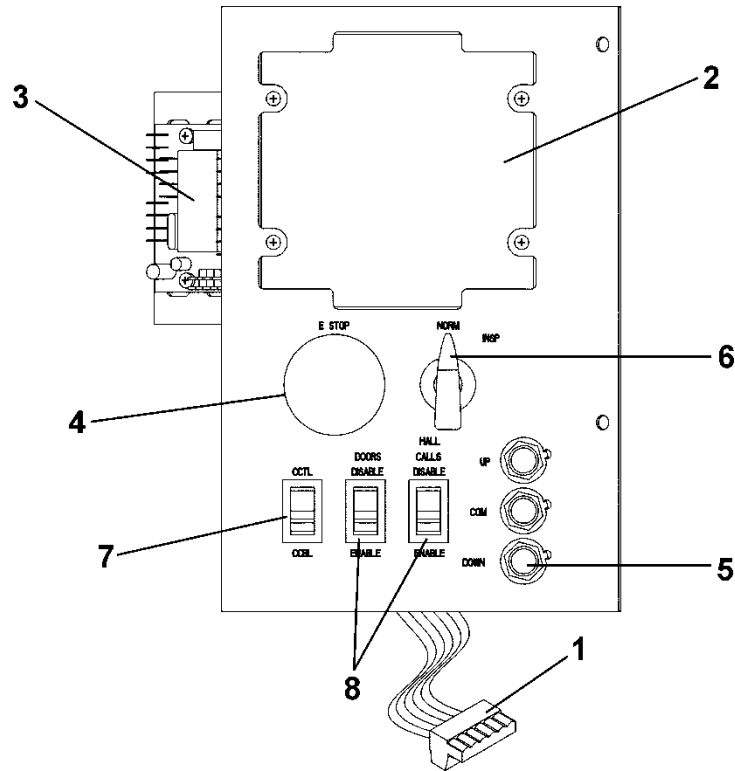
AAA21255AB

REF. No.	PART No.	DESCRIPTION	
1	226EJ2	Capacitor, Fixed, 50 VDC, 9000 μ F	C20, C21, C22, C23
2	226DR1	Capacitor, Fixed, 450 VDC, 1400 μ F	C24, C25
3	226DR2	Capacitor, Fixed, 250 VDC, 340 μ F	C26, C27
4	AAA176HH7	Connector, General Purpose (QTY 16), Plug w/Fixing Flanges	JP, JD, JG, JS
5	AAA176HH104	Key, Connector Coding (QTY 32), Snap on Type, Light Grey	---
6	AAA447X9	Connector, 10-Position	PVT Buffer Board
*	AAA27076CM8	Kit, Mounting Hardware	PVT Buffer Board
7	ABA26800QZ1	PC Board, PVT Buffer	---
8	230BS3	Rectifier, 1-Phase, 1000 V, 35 Amp	RF24, RF25
9	AAA612AJ1	Rectifier, 3-Phase, 1000 V, 35 Amp	RF26, RF27
10	AAA232FP85	Resistor, Fixed, 33 kOhm	R20, R21, R22, R23, R24, R25, R26, R27
11	AAA621AN5	Supply, Power, 5 VDC	---
12	AAA621AN6	Supply, Power, 12 VDC	---

* Part not shown.

Position Indicator Board

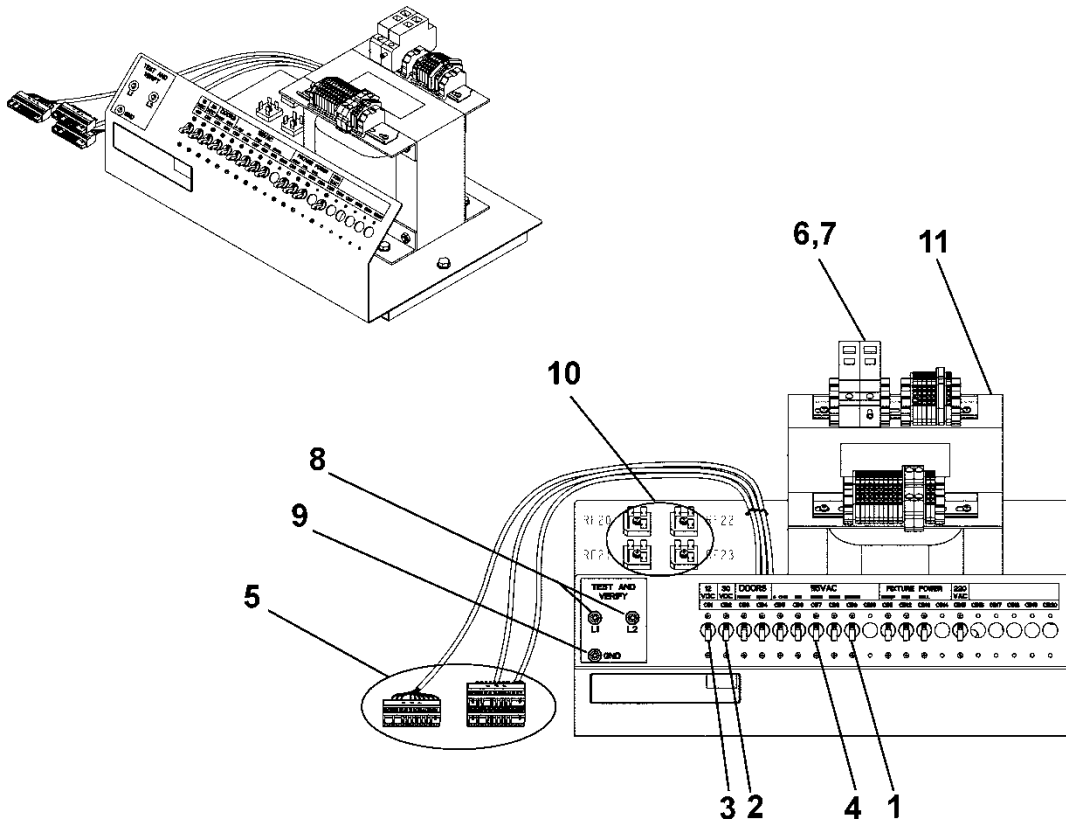
10-AAA21255AB



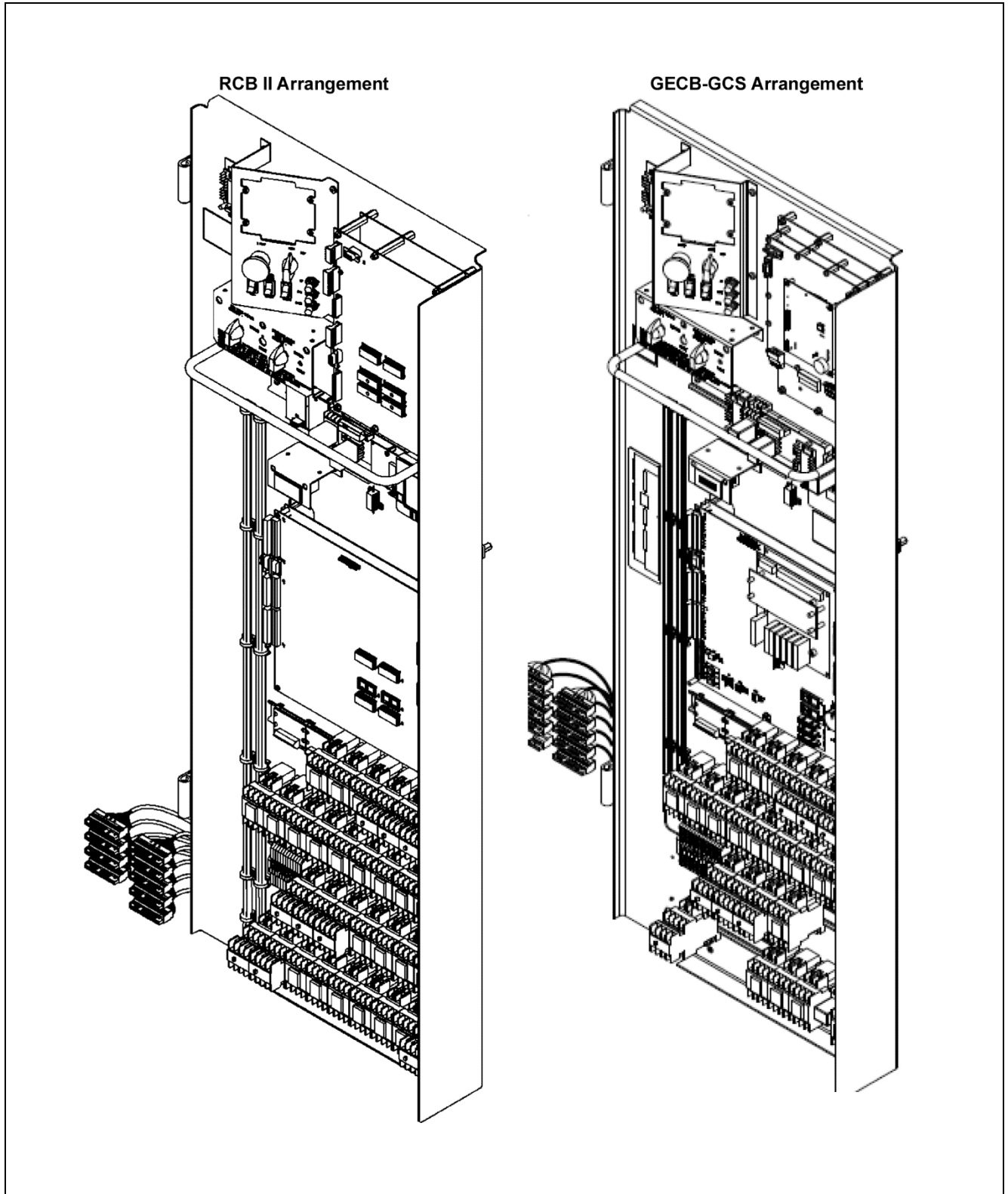
AAA21255AB			
REF. No.	PART No.	DESCRIPTION	
1	AAA447AP20	Connector	J20
2	ACA26800HJ1	Indicator, Position, Display	- - -
3	GDA23550D10	PC Board	RS5
4	AAA635B10 AAA635B12	Switch, Pushbutton, Red	CCES
5	AAA635L3	Switch, Pushbutton	MUP, MDN, COM
6	AAA636E3	Switch, Rotary	MIS
7	AAA177EM4	Switch, Toggle, (SPDT, Momentary)	CCTL, CCBL
8	AAA177EM5	Switch, Toggle, (SPDT)	DDOS, CHCS

10-AAA21255AB

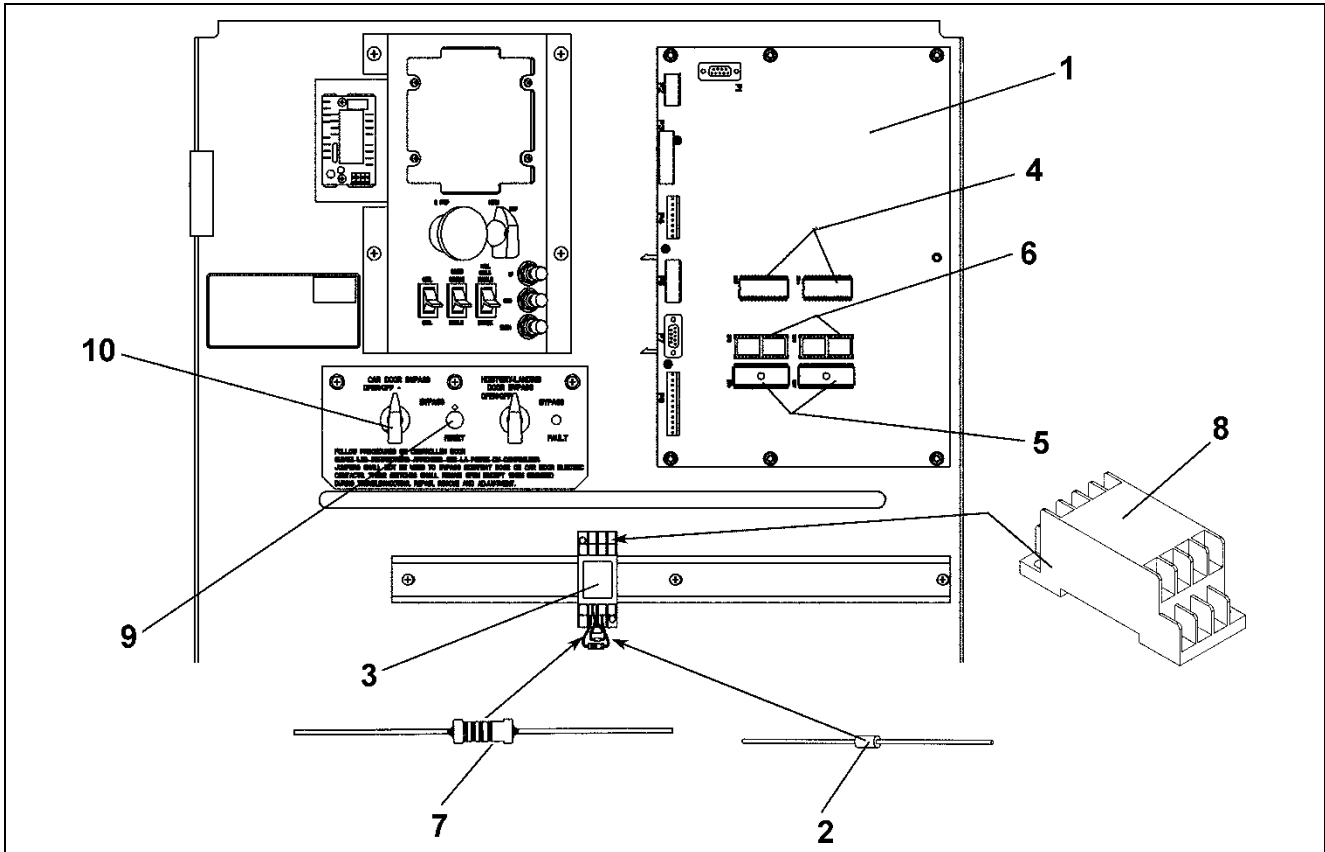
Power Supply



AAA21255AC			
REF. No.	PART No.	DESCRIPTION	
1	AAA637C1	Circuit Breaker, 1 A	CB9
2	AAA637C8	Circuit Breaker, 5 A	CB2, CB3, CB4, CB5, CB6, CB15
3	AAA637C15	Circuit Breaker, 7.5 A	CB1, CB11, CB12, CB13
4	AAA637C16	Circuit Breaker, 2.5 A	CB7, CB8
5	AAA447AP25	Connector, Printed Wiring Board	JP1, JP2, JP3
6	AAA375BK45	Fuse, 30 A, 600 V	F21, F22, (208-440 V)
	AAA375BK43	Fuse, 20 A, 600 V	F21, F22, (460-600 V)
7	AAA180DT1	Holder, Fuse	F21, F22
8	AAA190CQ1	Jack, Test, Black	GND
9	AAA190CQ2	Jack, Test, Red	L1, L2
10	230BS3	Rectifier, 1-Phase, 1000 V, 35 Amp	RF20, RF21, RF22, RF23
11	AAA225LT1 ABA225LT1	Transformer, Signal, Single Phase	208 V-240 V
	AAA225LT2 ABA225LT2		346 V-440 V
	AAA225LT3 ABA225LT3		460 V-600 V



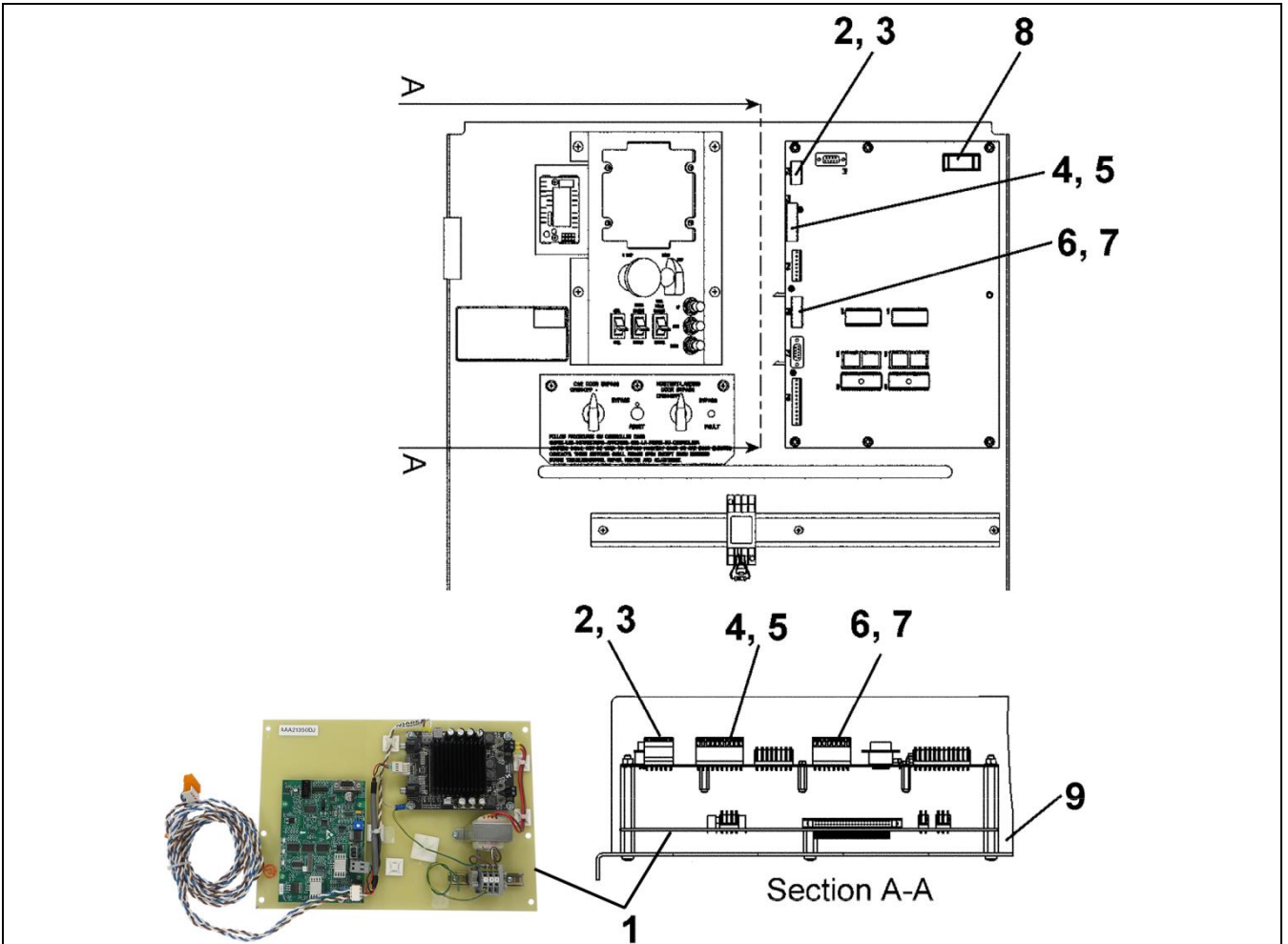
PAGE No.	DESCRIPTION
16-21	Swing Panel Components




AAA21255AD			
REF. No.	PART No.	DESCRIPTION	
1	GHA21270A3	Board, Ring Car	RCB II
2	AAA612T7	Diode, RMS = 700 V	HPR
3	AAA613CZ8	Relay, General Purpose, 24 VDC, Socket Mount w/LED Indicator	HPR
4	AAA616KM2	Microcircuit, RCB-II, Blank, OCSS EEPROM	Z34, Z49
5	AAA616LX3	Microcircuit, RCB-II, Blank, OCSS Contract EPROM (NOTE: Contact OSC for programmed contract EPROM.)	Z37, Z53
6	AAA616LX3	Microcircuit, RCB-II, Blank, OCSS Baseline EPROM	Z36, Z52
	AAA30005AAL	Microcircuit, RCB-II, Programmed OCSS Baseline EPROM	
7	AAA232FT55	Resistor, Fixed, 180 Ohm	RHPR
8	618AE2	Socket, Electrical Relay	HPR
9	AAA635L3	Switch, Momentary	Reset
10	AAA636E1	Switch, Rotary	CDBP, LDBP


Swing Panel Assembly: E411MC

10-AAA21255AB

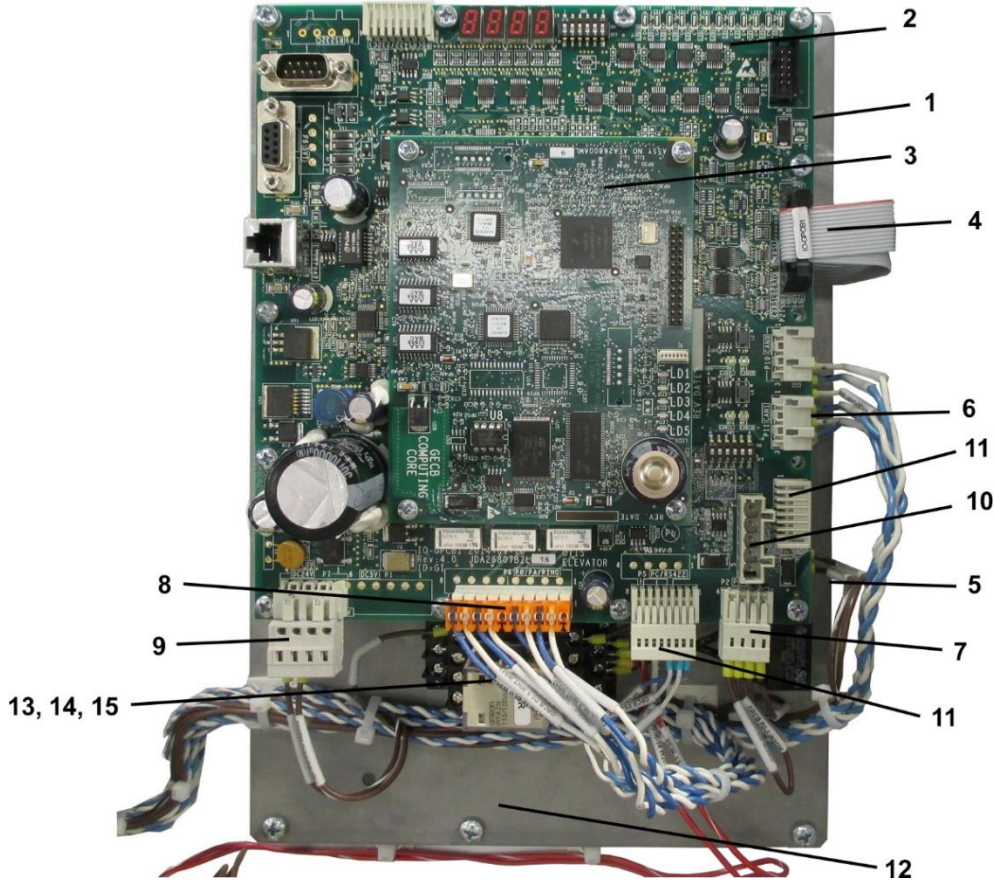


REF. No.	PART No.	DESCRIPTION	
	AAA21255AD		
1	ABA26800ABL001- AAA21305DJ1	Board, Chime Kit, Chime Replacement  NOTE	CHMB
2	AAA447AC52	Connector, PWB Receptacle	RCB-II, P2
3	AAA447AC13	Connector, PWB Strain Relief	RCB-II, P2
4	AAA447AB23	Connector, PCB Receptacle	RCB-II, P3
5	AAA447AC16	Connector, PWB Strain Relief	RCB-II, P3
6	AAA447AB28	Connector, PCB Receptacle	RCB-II, P5
7	AAA447AC14	Connector, PWB Strain Relief	RCB-II, P5
*	AAA375BT17	Fuse, 1A, 250 V, Fast Blow	CHMB
8	AAA375BY8	Fuse, 2A, 250 V, Slow Blow	RCB II
9	AAA27076CM3	Kit, Mounting Hardware	RCB-II

* Part not shown.

NOTE:  TIP 4.5-8 to replace the obsolete ABA26800ABL chime board with the AAA21305DJ chime replacement kit.

GECB-GCS Arrangement

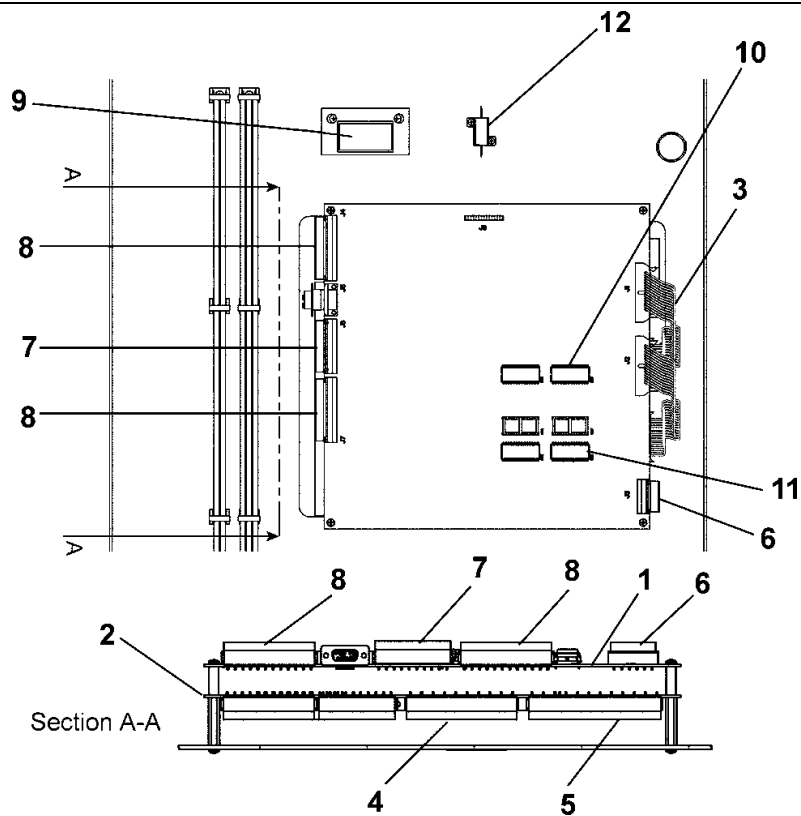


AAA21255AD			
REF. No.	PART No.	DESCRIPTION	
1	JAA26807CAK3	Board	EXRSL
2	JHA26807CBN15	Assembly, PCB GECB Processor and GPCB1 I/O	GPCB1
3			
4	JAA174JJK1	Cable, Ribbon	---
5	AAA447AP67	Connector, 3-Pin, 5 mm	EXRSL P1
6	AAA447AP72	Connector, 8-Pin, 5 mm	EXRSL P3
7	AAA447AP235	Connector, 4-Pin, 3.5 mm	GPCB1 P2
8	AAA447AB11	Connector, 10-Pin, IDC	GPCB1 P6 IDC
9	AAA447AP68	Connector, 4-Pin, 5 mm	GPCB1 P7
10	AAA447AP69	Connector, 5-Pin, 5 mm	GPCB1 P4
11	AAA447AP295	Connector, 8-Pin, 2.5 mm	GPCB1 P4 & P5
*	AAA447AC45	Cover, Connector, 10-Pin, IDC	GPCB1 P6, IDC
12	AAA105VE2	Plate	---
13	AAA613CZ9	Relay, Ice Cube, 120 VAC	PFIR
*	AAA00605AAA014	Snubber, Ice Cube Relay, 120 VAC	PFIR
*	618AE2	Socket, Ice Cube Relay, 120 VAC	PFIR
*	***31690***	Software, Baseline OCSS V2, See TIP 31.5-31	

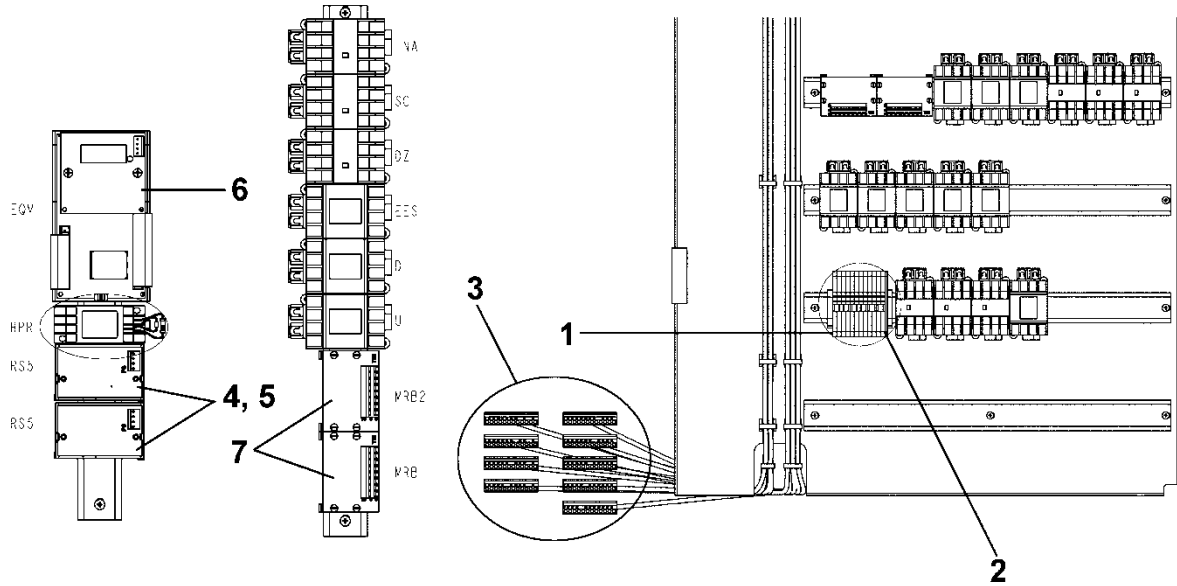
* Not shown.

Swing Panel Assembly: E411MC

10-AAA21255AB



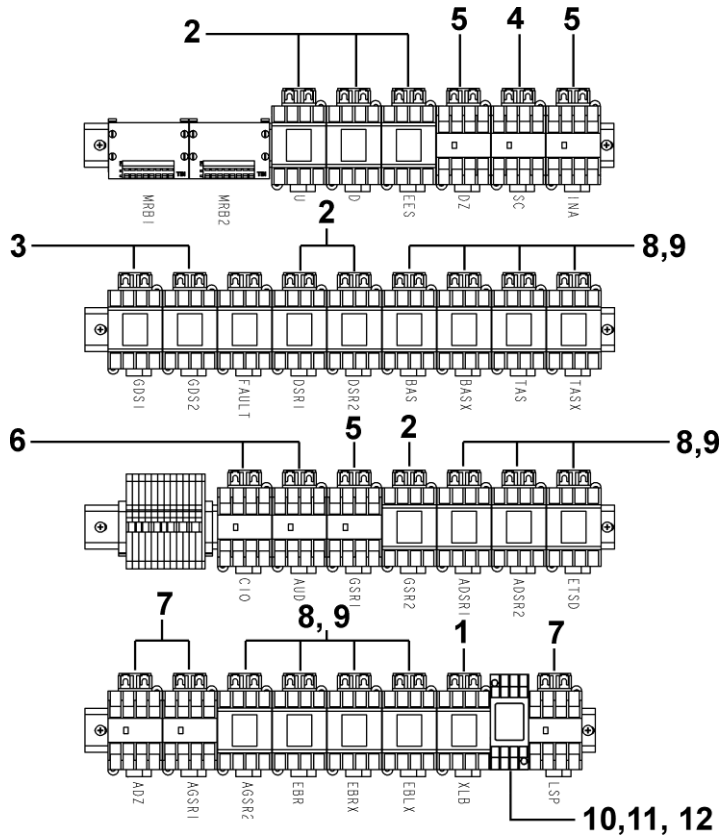
AAA21255AD			
REF. No.	PART No.	DESCRIPTION	
1	ABA26800ABA002	Assembly, MCSS, Microprocessor PCB	Obsolete
	ACA26800ANX1		Replacement
2	ACA26800ABB001	Assembly, MCSS, I/O PCB	---
	AAA26800ARS1		Additional I/O PCB for ANX board
3	AAA174KV1	Cable, Ribbon	MCSS I/O, MCSS Processor J1-J1, J2-J2
4	AAA447AD9	Connector, PWB	MCSS I/O, J6
5	176DR9	Connector, PWB	MCSS I/O, J7
6	AAA447X5	Connector, PWB	MCSS Processor J3
7	AAA447X9	Connector, PWB	MCSS Processor, J6, MCSS I/O, J5
8	AAA447X11	Connector, PWB	MCSS Processor, J4, J7, MCSS I/O, J3, J4
9	CAA623C2	Counter, Run	---
10	AAA616KM1	Microcircuit, MCSS EEPROM	U48, U59
11	AAA616MB2	Microcircuit, MCSS EPROM, Blank	U45, U56
	AAA30045AAK1	Microcircuit, MCSS EPROM, Programmed	U45, U56
12	AAA232FE5	Resistor, Fixed	RDBD



AAA21255AD			
REF. No.	PART No.	DESCRIPTION	
1	AAA303EP139	Block, Terminal	---
2	AAA303EP140	Block, Terminal, End Piece	---
3	AAA447AP25	Connector, PWB	Trailing Plug Harness
4	AAA180FE1	Bracket, Rail-Mounted	RS-5
5	GFA23550D1	Micro-Controller	RS-5
6	AAB21380E1	Module, Seismic	EQM
7	AAA26800NL1	PCB, Resistor	MRB1, MRB2

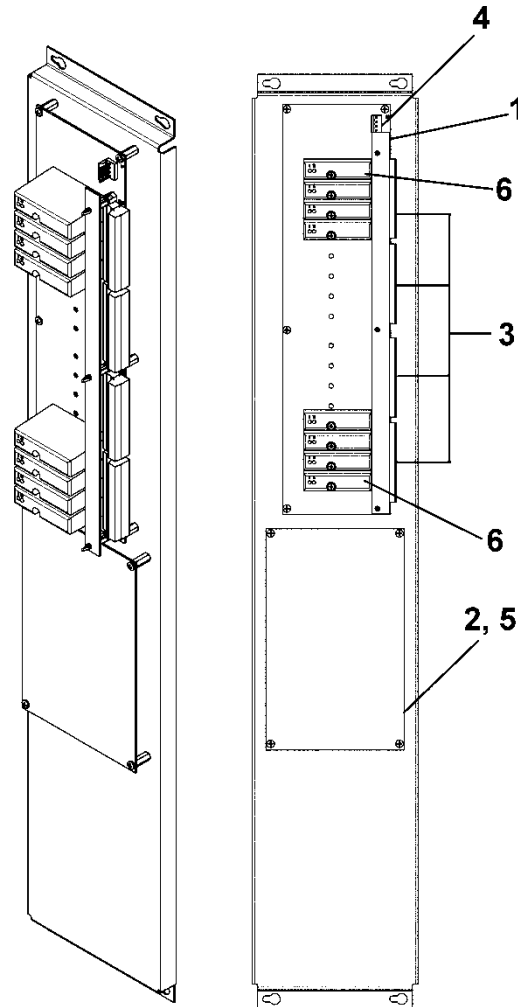
Swing Panel Components

10-AAA21255AB




AAA21255AD			
REF. No.	PART No.	DESCRIPTION	
1	AAA613DL81	Relay, Coil Driver	XLB
2	AAA613DL30	Relay, General Purpose	U, D, EES, FAULT, DSR1, DSR2, GSR2
3	AAA613DL31	Relay, General Purpose	GDS1, GDS2
4	AAA613DL33	Relay, General Purpose	SC
5	AAA613DL34	Relay, General Purpose	DZ, INA, GSR1
6	AAA613DL36	Relay, General Purpose	CIO, AUD
7	AAA613DL34	Relay, General Purpose	ADZ, AGSR1, LSP
8	AAA613DL30	Relay, General Purpose	TAS, TASX, BAS, BASX, ADSR1, ADSR2, AGSR2, XLB, EBR, EBLX, ETSD, EBRX
9	AAA613DL61	Suppressor, RC	TAS, TASX, BAS, BASX, ADSR1, ADSR2, AGSR2, EBR, EBLX, ETSD, EBRX
10	AAA613CZ9	Relay, Socket Mount, w/LED Indicator, 120 VAC	ESVR
11	618AE2	Socket	ESVR
12	AAA00605AAA014	Suppressor, 100 Ohms	ESVR

Hall Interface Assembly



AAA21255AE

REF. No.	PART No.	DESCRIPTION
1	ABA26800ABV1	Board, Interface, 32-Channel
2	AAA26800ANP1	Bridge, COP RSL
3	AAA447AD9	Connector, 1TB, 2TB, 3TB, 4TB
4	AAA447AC24	Connector, J1 ( NOTE)
*	AAA378BY8	Fuse, COP RSL Bridge Board
5	AAA27076CM6	Kit, Hardware, Mounting, Used w/Ref. 2
6	ABA26890A1	Module, I/O

NOTE: Tools MT-115038 and MT-115038-1 are required to crimp connector (ref. 4).

* Part not shown.