

Controller Magnetek® Direct Drive E311/E411

Spare Parts Leaflet

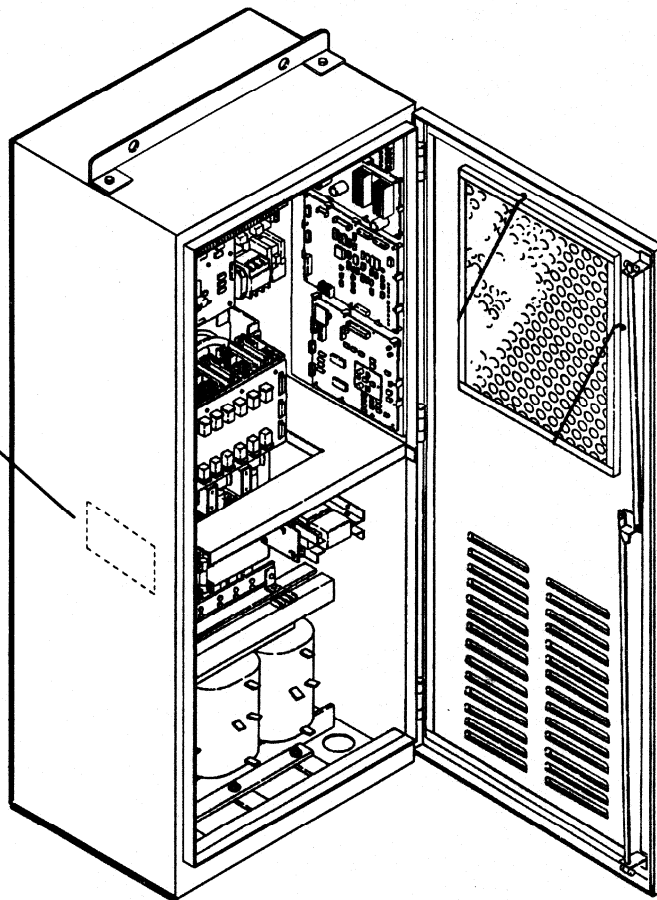
10-AAA21265AAA

October 16, 2013 / Page 1 of 21

OTIS ELEVATOR COMPANY		
TYPE NO.	DATE	REV.
AC INPUT		DC OUTPUT
VOLTS:	VOLTS:	
AMP:	AMP:	
PHASE: 3	HZ: 60/50	ELEVATOR DUTY
SEY126900-0000/0020		SES
PRODUCT CODE	MFG.	DRAWING NUMBER
02	R	AAA21265AAA
Magnetek		
OTIS		

OTIS DRAWING NO. MAGNETEK SYSTEM NO.

AAA21265AAA	=	53SO6900-XXXX
AAB21265AAA	=	53SO6901-XXXX
AAA21265B	=	53SO7100-XXXX
AAA21265C	=	53SO7101-XXXX



Type AAA21265AAA
Controller Illustrated

Unpublished Work—© Otis Elevator Co.; 2013

OTIS

Safety First!

SERVICE ENGINEERING

Otis Elevator Company
Bloomfield, Connecticut USA

Leaflet Description

This leaflet provides spare parts information for E311 & E411 Magnetek Direct Drive controller.

Leaflet Revisions

Date Revised	Subject Matter Expert	Reason for Revision
November 1990	---	09-A**21265AAA new leaflet, initial release
March 1996	Ali Bozorgzadeh	Updated parts and artwork
February 1, 2000	Ali Bozorgzadeh	Update template; Updated parts and artwork
October 16, 2013	Anh Pham	Update template; Updated parts and artwork

Related Drawings

Drawing No.	Title	Drawing No.	Title
AAA21265AAA	---	AAA21265B	---
AAB21265AAA	---	AAA21265C	---

Related Documents

Document ID	Title
---	---

Subject Matter Expert

Name	Department
Anh Pham	OSC Service Engineering

About Spare Parts Leaflets...

This document lists the lowest replaceable units (LRUs) for the standard version of the product. The LRUs are chosen by a team of Otis associates representing engineering and manufacturing.

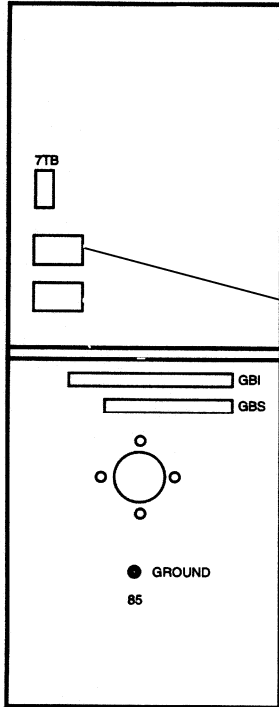
While goal of this document is to make parts identification as easy as possible, the document cannot be all-inclusive. Elevator and escalator contracts classified as "special" or "custom" are not addressed here. For such contracts, please refer to specified information, the contract folder, TIPs, Field Education Articles, Construction Letters, etc. for further information.

If you have any suggestions about this document, please contact the subject matter expert listed on this page.

Notice

10-AAA21265AAA

Inside View of Left Sidewall



Magnetek Systems Part Number Key

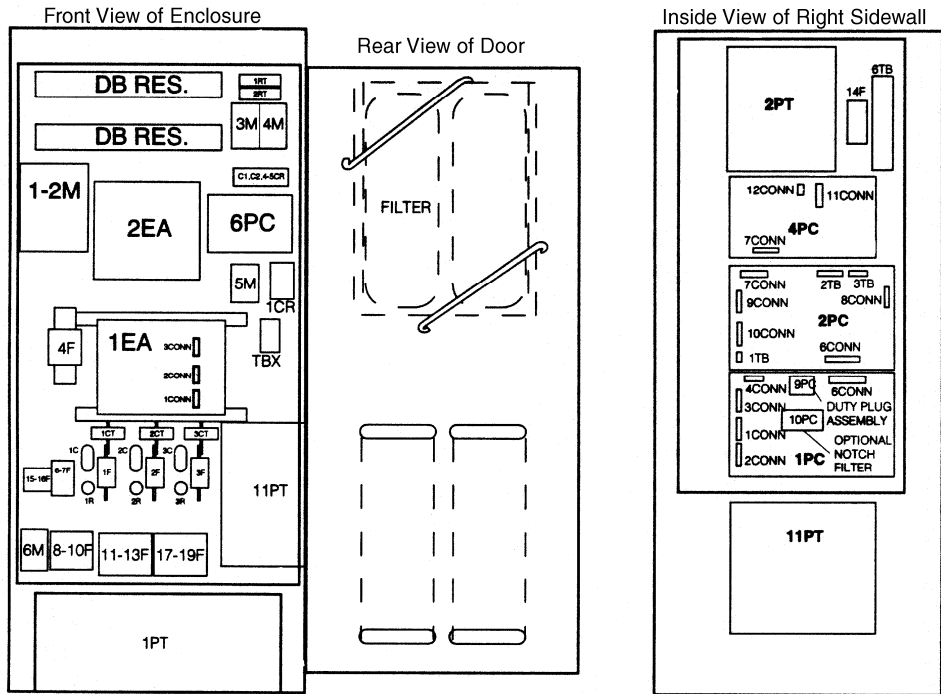
53S07101-Yxxx

- Major Revision
- 'Y' = Indicated Compliance
 - 0 = ANSI/B44 Compliance
 - 3 = ETO Compliance
 - 4 = for Nippon Otis see AAA21265B
- Indicates 3 Digit Otis Duty Number

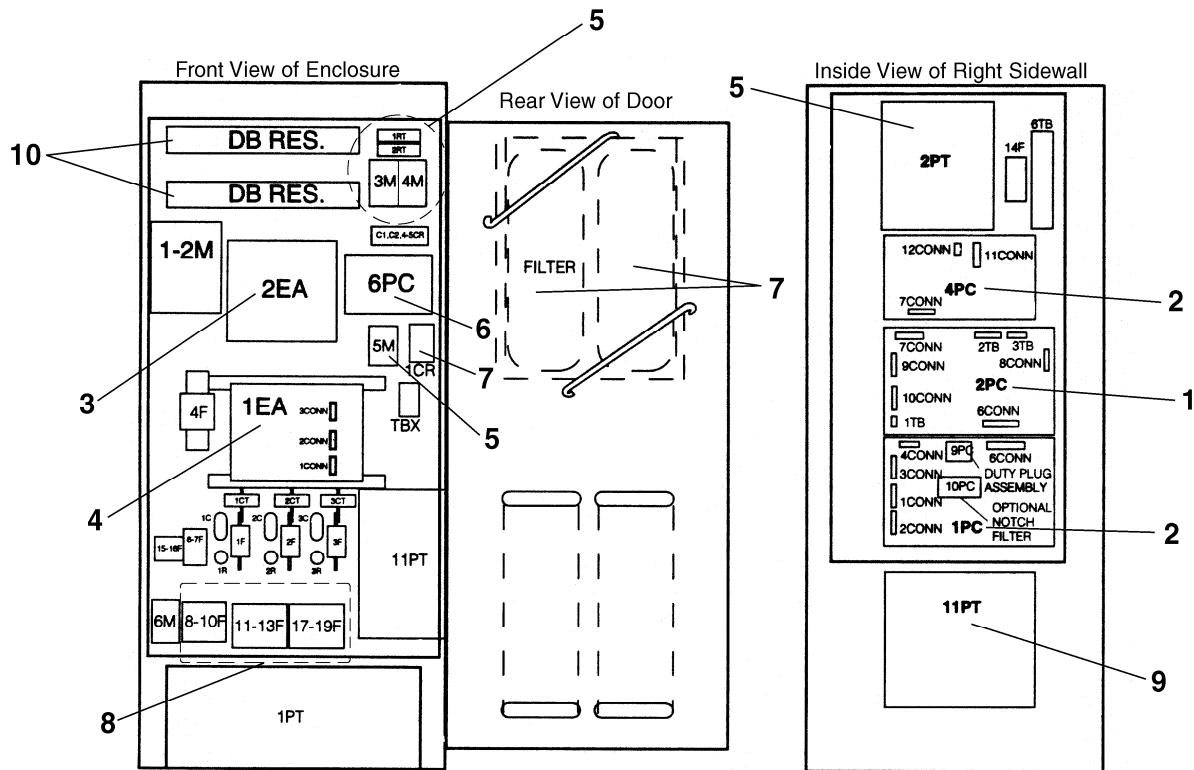
OTIS ELEVATOR COMPANY			
DATE	REVISION	DATE	REVISION
AC INPUT		DC OUTPUT	
VOLTS:		VOLTS:	
AMP:		AMP:	
PHASE: 3	FREQ: 60/50	ELEVATOR DUTY	
PART NUMBER: 53S07101-00000000		DUTY NUMBER: 985	
PRODUCT CODE	SIF. G.	DRAWING NUMBER	
53	R	AAA21265AAA	
MAGNETEK			
OTIS			

NOTE: Within this document parts are specified to meet your installation's individual requirements. To correctly define a part number, refer to the duty number indicated on your unit's nameplate as illustrated above.

Component Locations by Symbol Designation



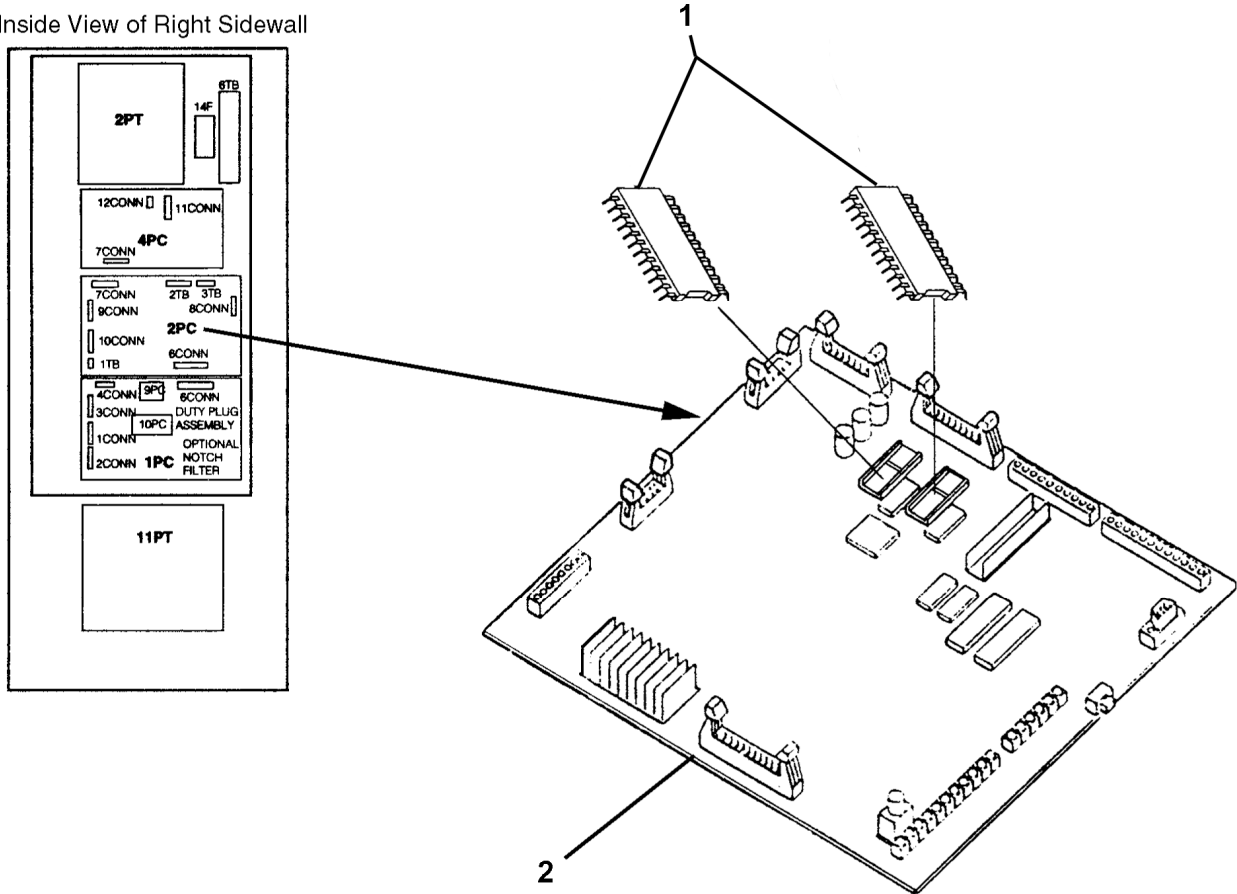
Type AAB21265AAA Illustrated



Type AAB21265AAA Illustrated

REF. NO.	PAGE	DESCRIPTION
1	p. 5	Dynamic Brake Subsystem PC Board
2	p. 6	Power Supply PC Board
3	p. 7 & 8	Field Brake Assembly/Components
4	p. 9	Heat Sink Thermostat, Transformer, Voltage Divider PC Board
5	p. 10	Capacitors, Contactors, Diode, AC Line Snubber PC Board, & Power Supply Transformer
6	p. 11	Fuse, Relay Interface PC Board, Relay, & Capacitor Network Resistor
7	p. 12	Air Filter & Loop Contactor Pilot Relay
---	p. 13	Air Filter, Armature Loop Contactor, & Cabinet Fan
8	p. 14 & 15	Fuses
9	p. 16	Transformers
10	p. 17	Resistors
---	p. 18 & 19	Duty Plug PC Board
---	p. 20 & 21	Power Transformer

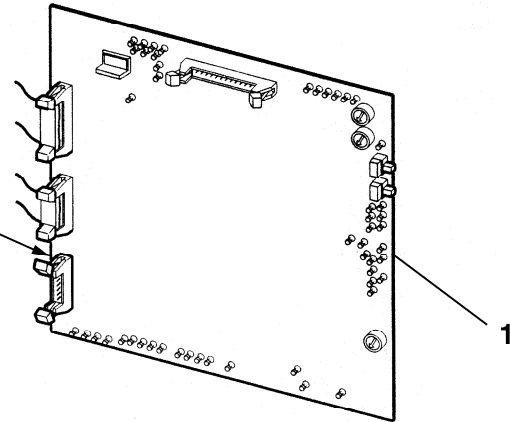
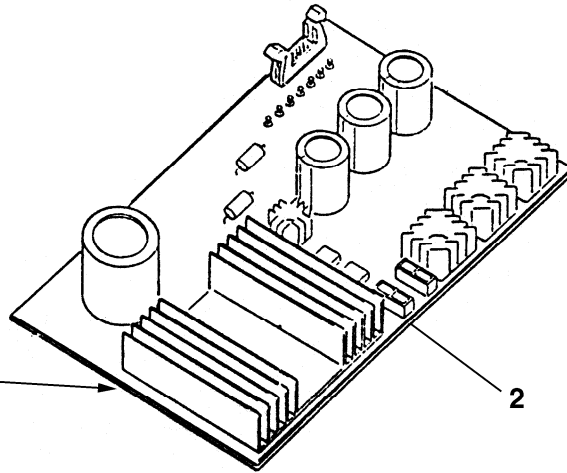
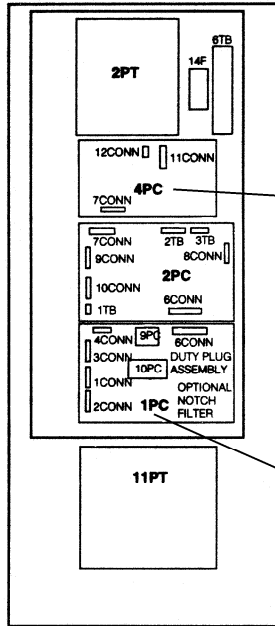
Inside View of Right Sidewall



AAA21265AAA
AAB21265AAA
AAA21265B
AAA21265C

REF. NO.	PART or ML	DESCRIPTION	SYMBOL
1	97SA0990-003	EPROM, Revision 1	U18, U29
	97SA0991-003	EPROM, Revision 1	U29
	AAA30188AAE		
2	LA46S2691-0030	PC Board, Dynamic Brake Subsystem	2PC
	LA46S2691-0040		
	LA46S2691-0041		

Inside View of Right Sidewall

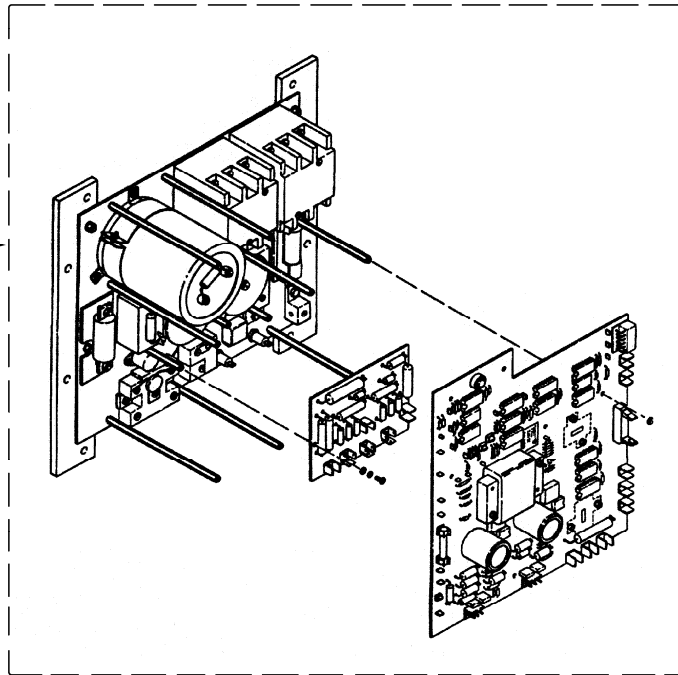
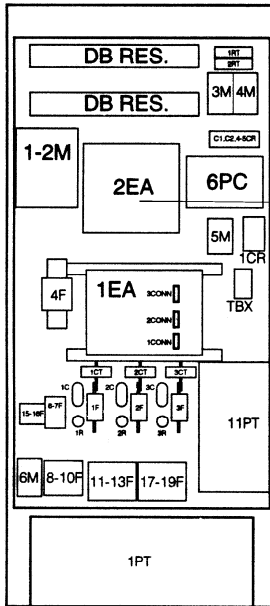


REF. NO.	PART or ML		DESCRIPTION	SYMBOL
1	AAA21265AAA AAB21265AAA	AAA21265B AAA21265C	PC Board, 12 SCR w/o Duty Resistor Plug, 9 PC	1PC
2	LA46S2692-0021 LA46S2692-0022 LA46S2692-0030 LA46S2692-0031	LA46S2690-0022 LA46S2690-0023 LA46S2692-0031	PC Board, Power Supply	4PC

Field Brake Assembly

10-AAA21265AAA

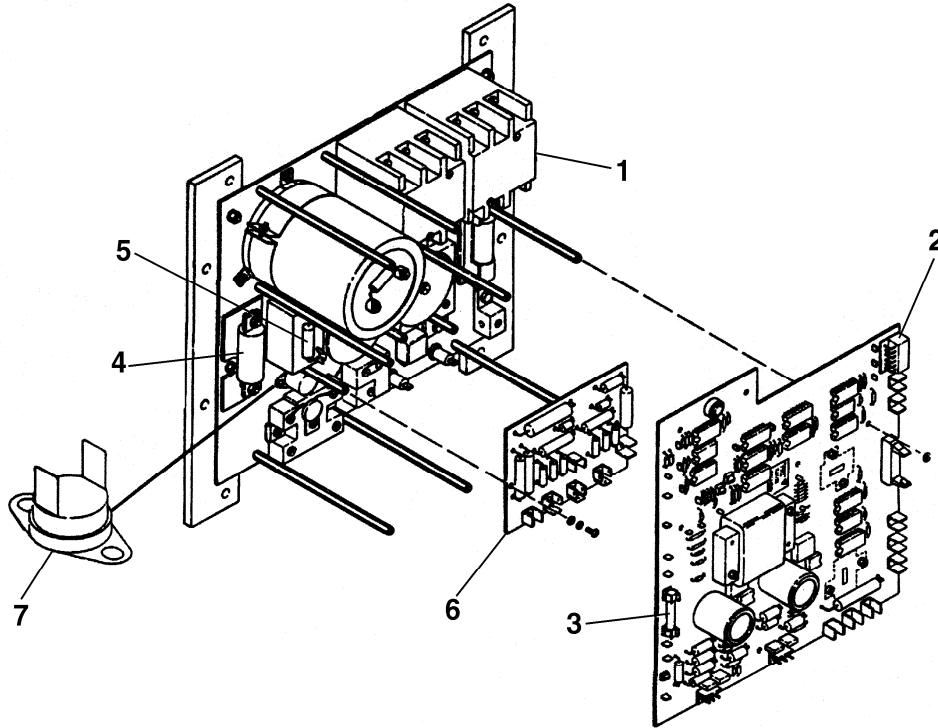
Front View of Enclosure



1

REF. NO.	PART or ML	DESCRIPTION	SYMBOL
	AAA21265AAA AAB21265AAA	AAA21265B AAA21265C	
1	LA46S2688-0140 LA46S2688-0150 LA46S2965-0011	LA46S2965-0011	Assembly, Field Brake, w/o CEN Speed = < 6 m/s
	LA46S2688-0130 LA46S2688-0170 LA46S2965-0021	LA46S2965-0021	Assembly, Field Brake, w/o CEN, Speed = > 6 m/s
	LA46S2688-0140 LA46S2688-0180 2700ADG4 LA46S2965-0021	LA46S2965-0011 ---	Assembly, Field Brake, w/CEN, Speed = < 6 m/s Kit, Replacement, w/Mounting Hardware
	LA46S2688-0120 LA46S2688-0160 2700ADG3 LA46S2965-0011	LA46S2965-0021	Assembly, Field Brake, w/CEN, Speed = > 6 m/s
	LA46S2965-0011	---	Assembly, Field Brake, w/CEN, Replaces LA46S2688-0160
	LA46S2965-0021	---	Assembly, Field Brake, w/CEN, Replaces LA46S2688-0180

(Continued on Next Page)

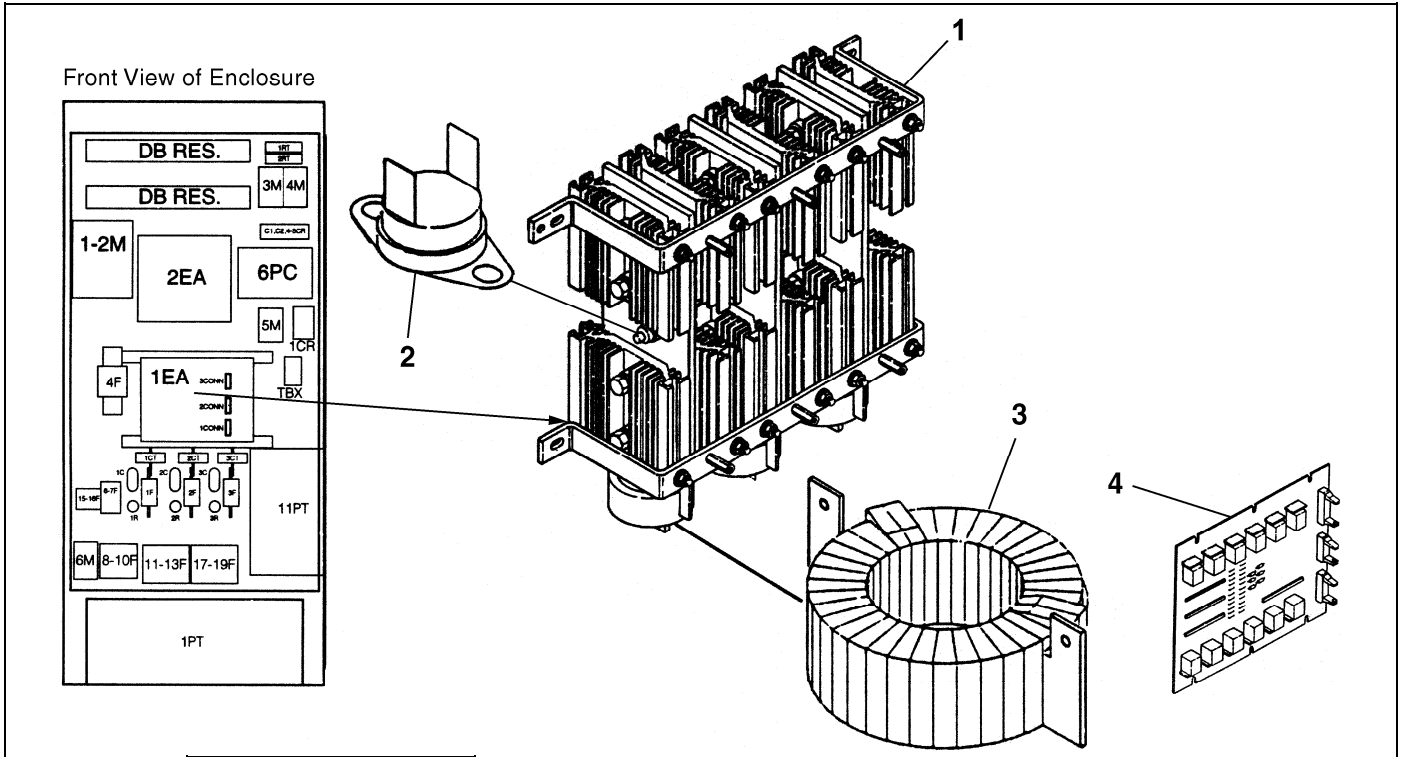


**AAA21265AAA
AAB21265AAA
AAA21265B
AAA21265C**

REF. NO.	PART or ML	DESCRIPTION	SYMBOL or DUTY
1	LA5P31-0092 LA5P32-0092 LA5P32-0095	Contactator, Switching Brake	H1-2, H2-2
2	LA46S2689-0050 LA46S2689-0061	Field & Brake Control PCB	1PC-2
3	GQ375AG22 AAA375BT18	Fuse, 3 A, 250 V	---
4	LA5P17-0283	Fuse, Bridge, 10 A, 250 V	1F-2
	LA5P17-0383 HT2E5150/07-0002	Fuse, Bridge, 15 A, 250 V	
	LA5P17-0384	Fuse, Bridge, 60 A, 300 V	2F-2
5	LA5P205-0033	Relay	1CR-2
6	LA46S2877-0010 LA46S2877-0022	Snubber PCB	2PC-2
7	LA5P218-0027	Thermostat THG-1	014 020 021 026 027 028 034 037 039 041 042
	LA5P218-0029	Thermostat THG-1	001-013 015-019 022-025 029- 033 035 036 038 040 A01-A05 A07-A11 A15-A18 A22 A23 A24 A29 A30 B18 301-314

Heat Sink

10-AAA21265AAA

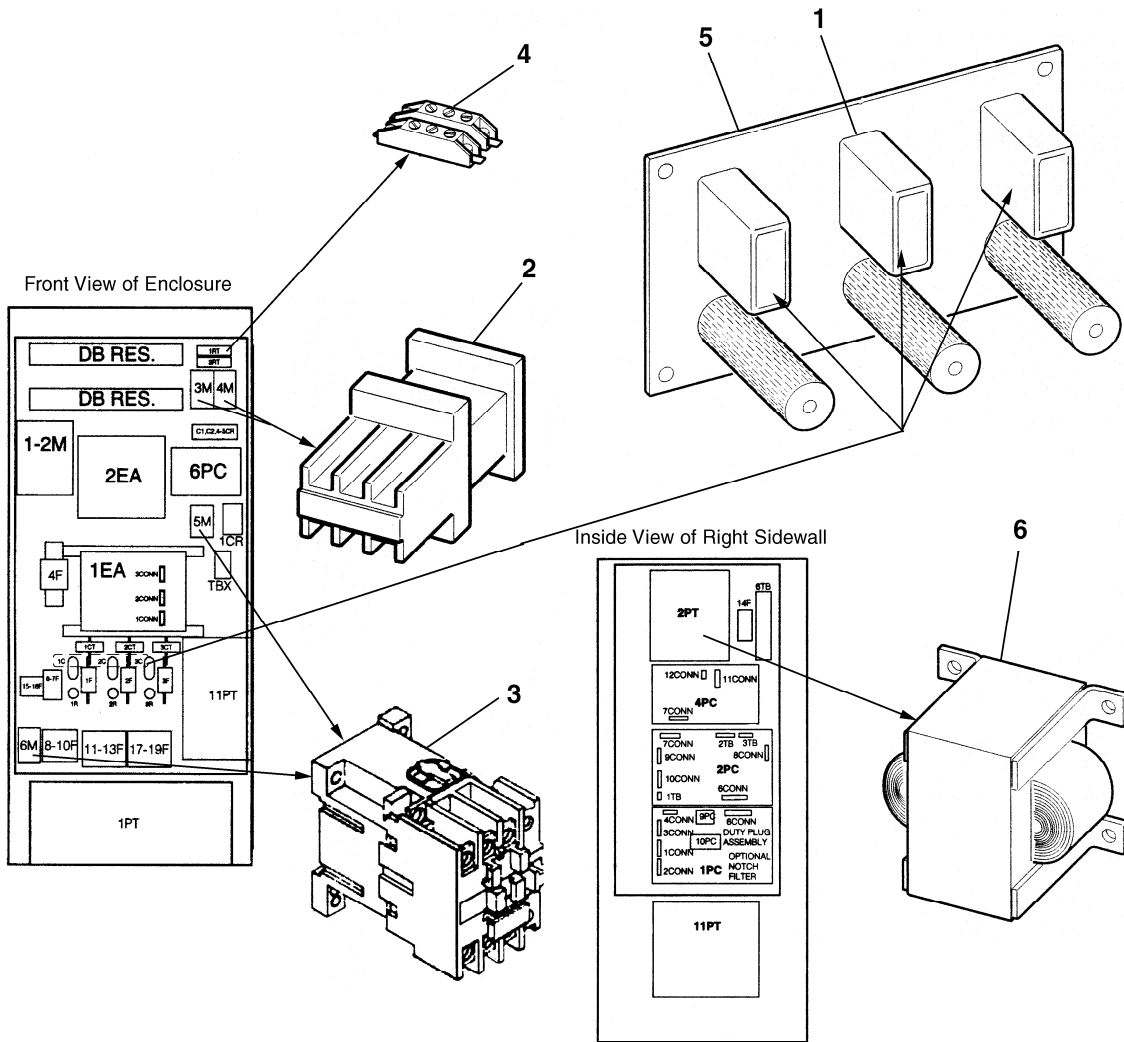


AAA21265AAA
AAB21265AAA
AAA21265B
AAA21265C

REF. NO.	PART or ML	DESCRIPTION	DUTY
1	LA46S2685-0040	Assembly, Heat Sink, 12 SCR	1-11, 13, 15-18, 22-24, 29, 30, 32, 35, 36, 40, A1-A11, A15-A18, B18, A22-A24, A29, A30, 301-314
	LA46S2685-0060		12, 19, 25, 31, 33, 38
	LA46S2685-0070		14, 20, 21, 26, 27, 34, 37, 39, 41, 42
*	LA46S3918-0000	Kit*, DC Snubber PC Board (see NOTE)	---
2	LA5P218-0006	Thermostat, 1THG-2	---
3	LA5P68-0066	Transformer, 1CT, 2CT, 3CT	---
4	LA46S2686-2010	Voltage Divider PCB, 3PC	001, 002, 004, 005, 006, 008, 009, 015, 016, 022, 029, 030, A01, A02, A04, A05, A06, A08, A09, A15, A16, A22, A29, A30, 301, 303
	LA46S2686-2020		010, 013, 014, 017, 020, 021, 023, 026, 027, 032, 034, 035, 040, A03, A07, A10, A11, A17, A18, A23, A24, B18, 302, 304, 305, 306, 307, 308, 309, 310, 311, 312, 313, 314
	LA46S2686-2030		003, 007, 011, 012, 018, 019, 024, 025, 028, 031, 033, 036, 037, 038, 039, 041, 042

* Part not shown.

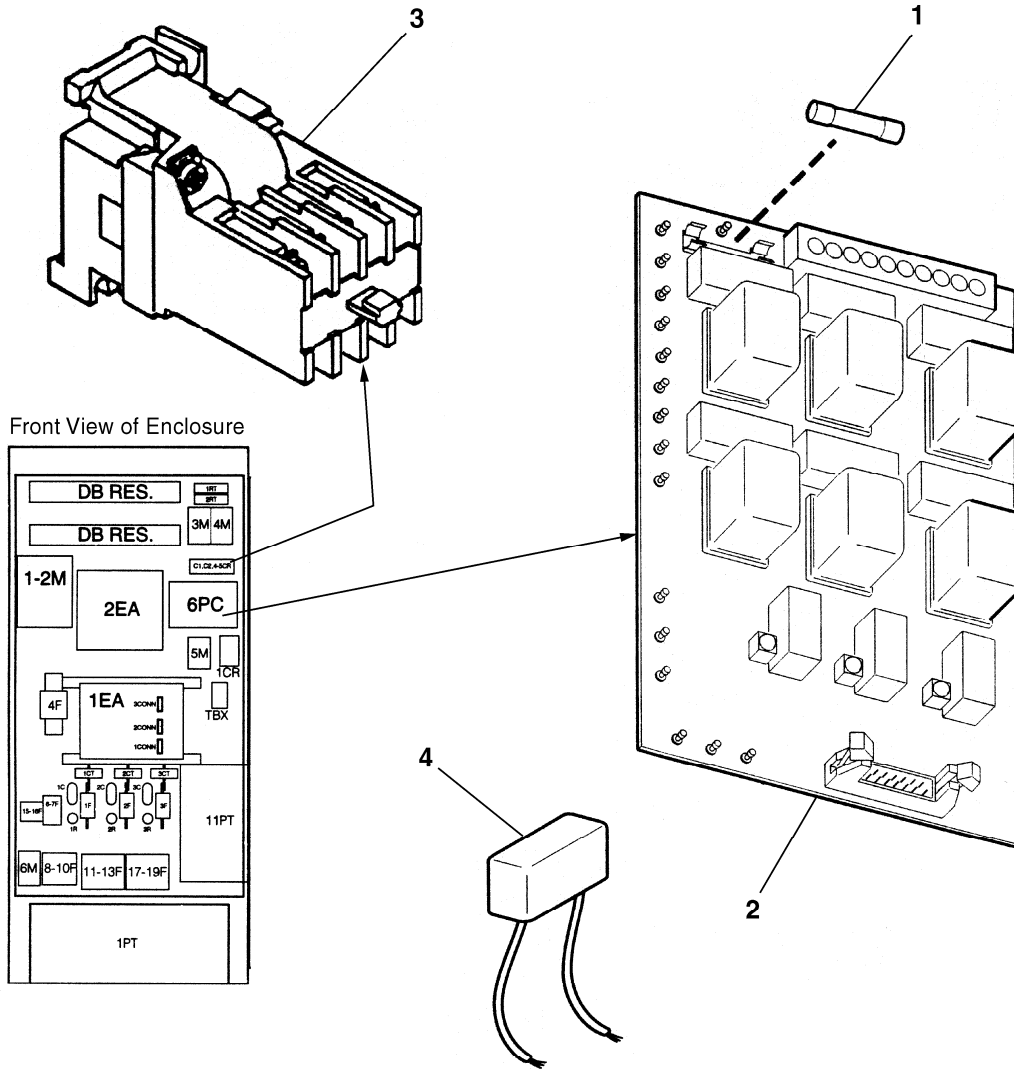
NOTE: The snubber PC board kit must be ordered when ordering a new heat sink.



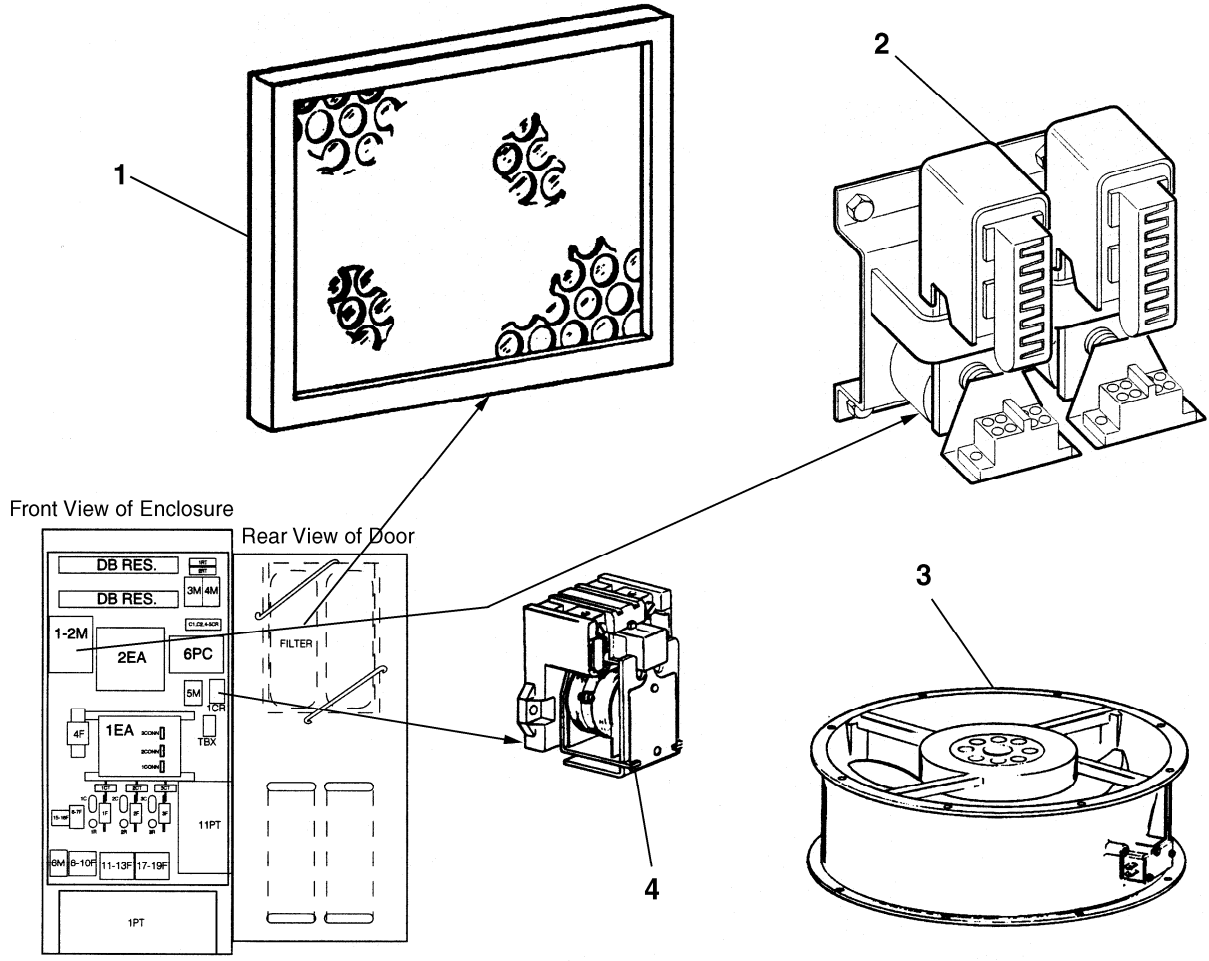
REF. NO.	PART or ML		DESCRIPTION	SYMBOL
	AAA21265AAA AAB21265AAA	AAA21265B AAA21265C		
1	LA5P224-0058	---	Capacitor, AC Line Snubber	1C, 2C, 3C
2	LA5P31-0097	LA5P32-0103	Contactor, Field Switching	3M, 4M
3	LA5P32-0070	LA5P32-0081	Contactor, Field/Brake Power	5M
	LA5P32-0077 LA5P32-0095		Contactor, Machine Blower	6M
4	LA5P50-0328		Diode	1RT, 2RT
5	LA46S2507-0070 LA46S2890-0010	---	PC Board, AC Line Snubber	---
6	LA46S2715-0020 LA46S2715-0030	LA46S2715-0030	Power Supply Transformer	2PT

Fuse, Relay & Capacitor Network Resistor


10-AAA21265AAA



REF. NO.	PART or ML		DESCRIPTION	SYMBOL
1	AAA21265AAA AAB21265AAA	AAA21265B AAA21265C	LA5P17-0365 AAA375BT27 Fuse, 2 A, 250 V	---
2	LA46S2728-0040 LA46S2728-0041	LA46S2728-0054 LA46S2728-0052	PC Board, Relay Interface	6PC
3	LA5P36-0318 AAA613CX105 AAA613CX505	---	Relay	C1, C2, 4CR 5CR
4	LA5P90-0059	LA5P90-0304 AAA638AF100	Resistor, Capacitor Network	---

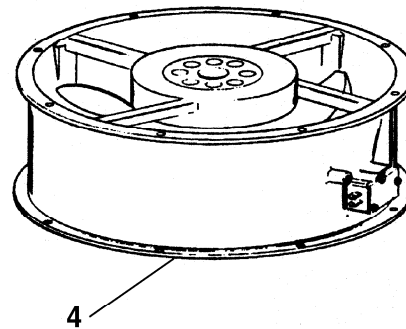
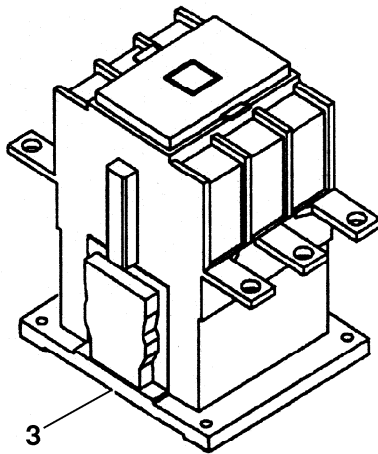
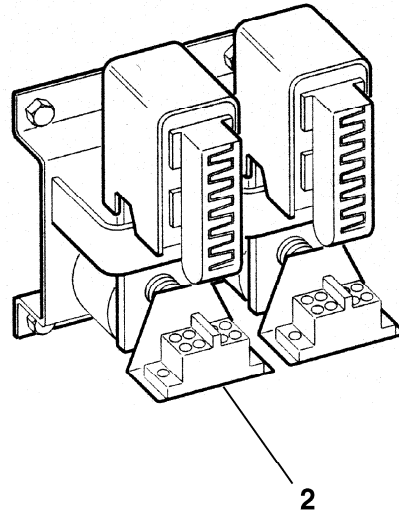
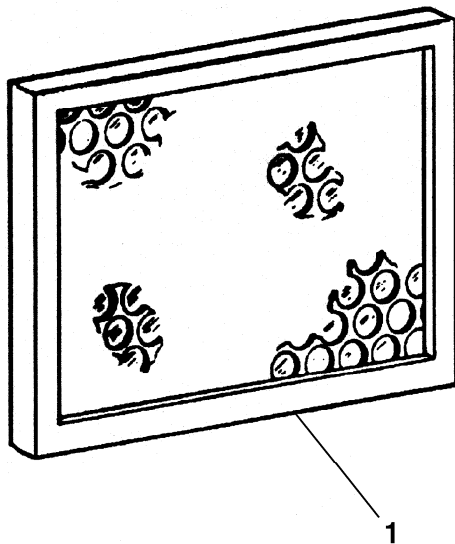



**AAA21265AAA
AAB21265AAA**

REF. NO.	PART or ML	DESCRIPTION	SYMBOL
1	LA5P15-0026	Air Filter	---
2	LA5P31-0093 SA14-193-770-568	Contactors,  SPL 10-7151A	1M, 2M
3	LA5P16-0008 AAA21255J130	Fan, Cabinet	1MTR, 2MTR
4	LA5P205-0026	Relay, Loop Contactor Pilot, 24 VDC	1CR

Air Filter & Cabinet Fan

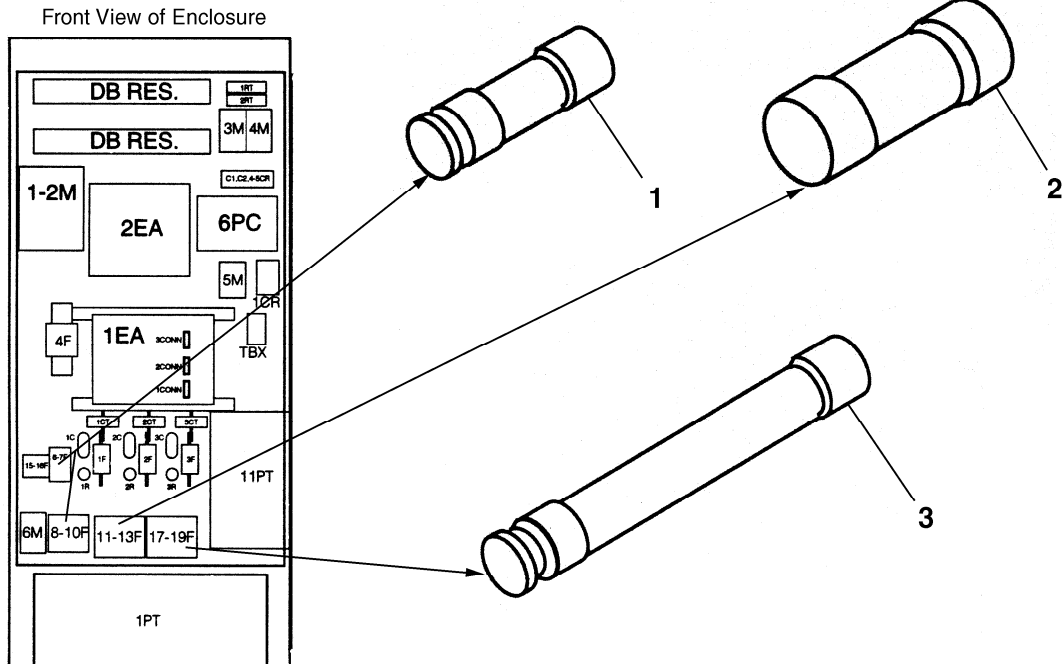
10-AAA21265AAA



	AAA21265B	AAA21265C		
REF. NO.	PART or ML		DESCRIPTION	SYMBOLS
1	LA5P15-0026		Air Filter	---
2	LA5P31-0093 SA14-193-770-568	---	Contactors,  SPL 10-7151A	ME
3	---	AAA638AE6	Contactors, Armature Loop	ME
4	LA5P16-0012 AAA21255J101		Fan, Cabinet	1MTR, 2MTR

10-AAA21265AAA

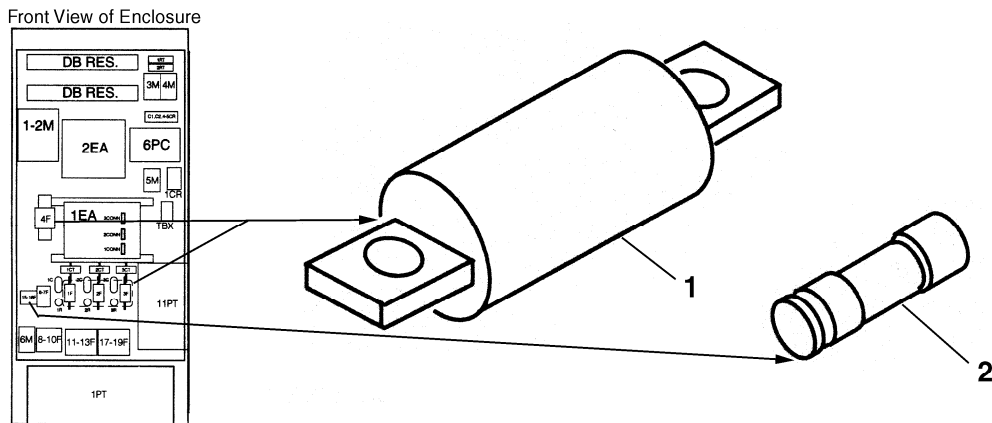
Fuses



REF. NO.	PART or ML		DESCRIPTION	SYMBOL
1	AAA21265AAA AAB21265AAA AAA21265B AAA21265C		LA5P17-0196 AAA375BW30	Fuse, 6.25 A, 250 V 6F, 7F, 14F
			LA5P17-0014 AAA375BW41	Fuse, Field & Brake, 30 A, 250 V 8F, 9F, 10F
2	LA5P17-0299	LA5P17-0040 AAA375BW37	Fuse, Control, 15 A, 600 V	11F, 12F, 13F
3	LA5P17-0022 AAA375BZ36	---	Fuse, Control Input, 15 A, 600 V, 550-600 V Input	17F, 18F, 19F
	LA5P17-0027 AAA375BZ34	---	Fuse, Control Input, 10 A, 600 V, 550-400 V Input	
	LA5P17-0019 AAA375BZ40	---	Fuse, Control Input, 30 A, 600 V, 220 V Input	
	---	LA5P17-0297	Fuse, Control, 6 A, 600 V, 346-600 V Input	
	---	LA5P17-0298 AAA375CG18	Fuse, Control, 10 A, 600 V, 200-220 V Input	

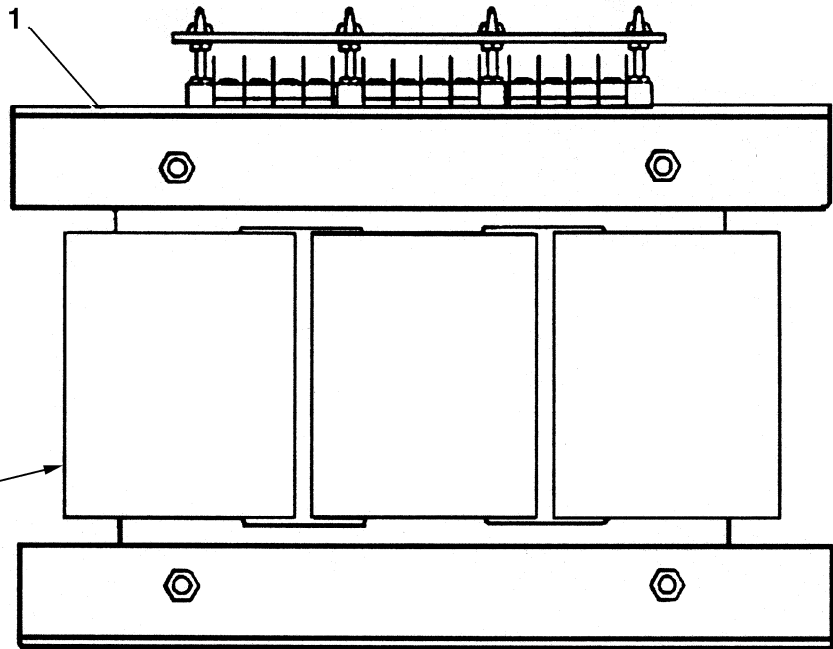
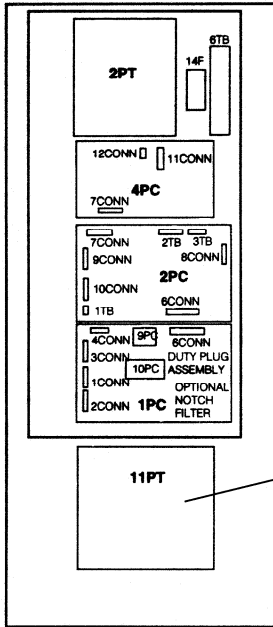
Fuses

10-AAA21265AAA



REF. NO.	AAA21265C PART or ML	DESCRIPTION	DUTY
1	LA5P17-0231 AAA375CD5 RBA50P250	Fuse, 250 A, 500 V	1F-3F, 4F
	LA5P17-0232 AAA375CD6 RBA50P300	Fuse, 300 A, 500 V	
	LA5P17-0233 AAA375CD7	Fuse, 350 A, 500 V	
	LA5P17-0294 AAA375CD10 RBA50P500	Fuse, 500 A, 500 V	
	LA5P17-0234 AAA375CD14 AAA21255J122	Fuse, 400 A, 700 V	
	LA5P17-0235 AAA375CD16 AAA21255J123	Fuse, 500 A, 700 V	
	LA5P17-0236 AAA375CD2	Fuse, 100 A, 1000 V	
	LA5P17-0329 AAA375CD3	Fuse, 150 A, 1000 V	
	LA5P17-0330 AAA375CD4	Fuse, 200 A, 1000 V	
	LA5P17-0331	Fuse, 300 A, 1000 V	
	LA5P17-0332	Fuse, 350 A, 1000 V	
2	LA5P17-0381 AAA375BW14	Fuse, Blower Starter, 1.4 A, 250 V	15F, 16F
	LA5P17-0249 AAA375BW17	Fuse, Blower Starter, 1.80 A, 250 V	
	LA5P17-0196 AAA375BE30 AAA375BW30	Fuse, Blower Starter, 6.25 A, 250 V	

Inside View of Right Sidewall

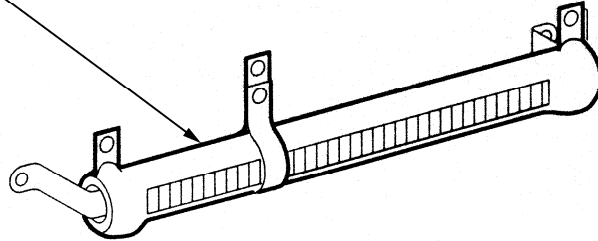
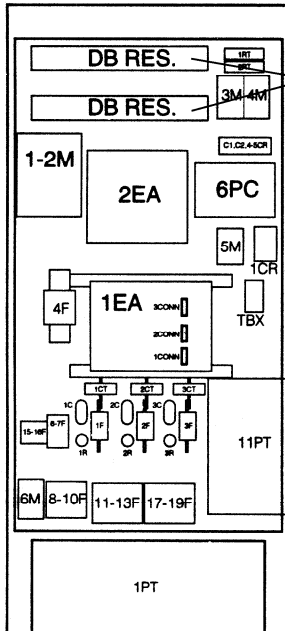


REF. NO.	ALL VINTAGES		SYMBOL
	PART or ML	DESCRIPTION	
1	AAA225FV1	Transformer, 200 V Input, 60 Hz	11PT
	AAA225FV2	Transformer, 230 V Input, 60 Hz	
	AAA225FV3	Transformer, 460 V Input, 60 Hz	
	AAA225FV4	Transformer, 575 V Input, 60 Hz	
	AAA225FV5	Transformer, 380 V Input, 50/60 Hz	
	AAA225FV6	Transformer, 415 V Input, 50/60 Hz	

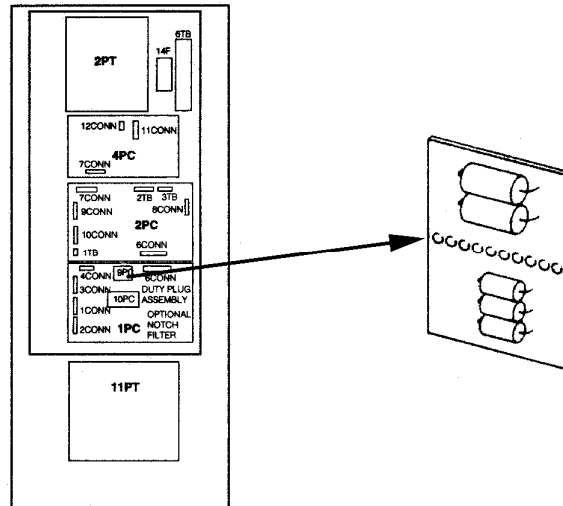
Resistors

10-AAA21265AAA

Front View of Enclosure



PART or ML	DESCRIPTION	RESISTANCE (OHMS)	CONTINUOUS CURRENT (AMPS) RATING	INTERMITTENT CURRENT (AMPS) RATING (5 sec.)	SYMBOL
LA5P41-0482	Resistor	0.097	94.0	565	DB
LA5P41-0484		0.197	67.0	425	
LA5P41-0485		0.262	56.0	315	
LA5P41-0486		0.589	37.0	260	
LA5P41-0488 AAA617R3		1.30	24.0	70	
LA5P41-0489		1.181	20.0	55	
LA5P41-0499		0.51	40.0	205	
LA5P41-0500 AAA617R2		1.02	27.0	164	
LA5P41-0503		2.86	16.0	37	
LA5P41-0522		4.5	12.7	60	
LA5P41-0523		2.2	18.4	62	
LA5P41-0539		8.5	9.4	45	



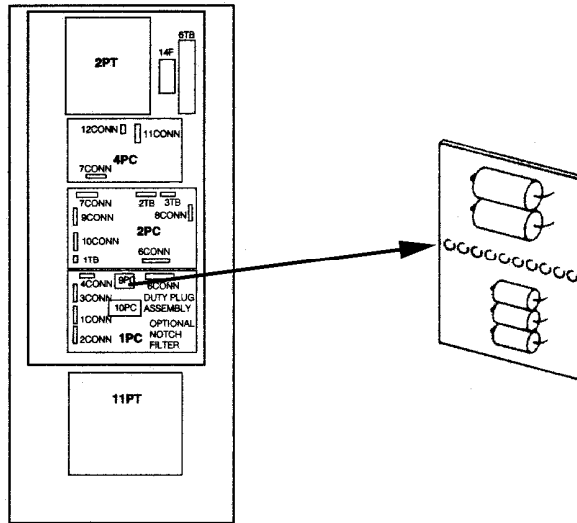
DUTY	PART. NO. LA46S2835-**** 4 DIGIT SUFFIX	SYMBOL
001	0001	9PC
002	0002	
003	0003	
004	0A03	
005	0004	
006	0005	
007	0006	
008	0007	
009	0A07	
010	0008	
011	0009	
012	0010	
013	0A10	
014	0011	
015	0A11	
016	0012	
017	0013	
018	0014	
019	0015	
020	0016	

DUTY	PART. NO. LA46S2835-**** 4 DIGIT SUFFIX	SYMBOL
021	0A16	9PC
022	0017	
023	0A17	
024	0018	
025	0A18	
026	0B18	
027	0019	
028	0020	
029	0021	
030	0022	
031	0A22	
032	0023	
033	0A23	
034	0024	
035	0A24	
036	0025	
037	0026	
038	0027	
039	0028	
040	0029	

(Continued on Next Page)

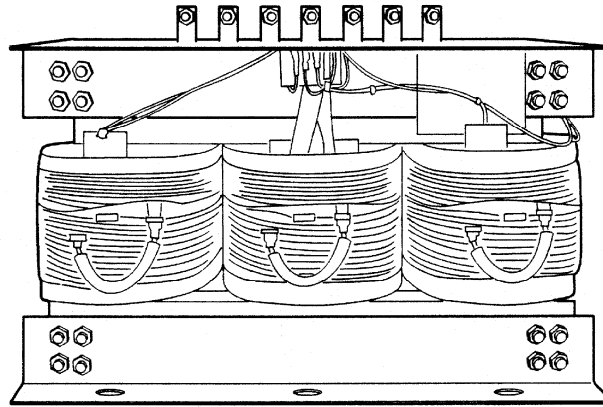
Duty Plug PC Board

10-AAA21265AAA



DUTY	PART. NO. LA46S2835-**** 4 DIGIT SUFFIX	SYMBOL
041	0A29	9PC
042	0030	
043	0A30	
044	0031	
045	0032	
046	0033	
047	0034	
048	0035	
049	0036	
050	0037	
051	0038	
052	0039	
053	0040	
054	0041	
055	0042	
056	0A41	
057	0A04	
058	0A08	
059	0A15	
060	0A05	

DUTY	PART. NO. LA46S2835-**** 4 DIGIT SUFFIX	SYMBOL
061	0A09	9PC
062	0A02	
063	0A06	
301	0301	
302	0302	
303	0303	
304	0304	
305	0305	
306	0306	
307	0307	
308	0308	
309	0309	
310	0310	
311	0311	
312	0312	
313	0313	
314	0314	



This transformer is for 460 V power supply only.
For 208 V or 230 V refer to engineering.

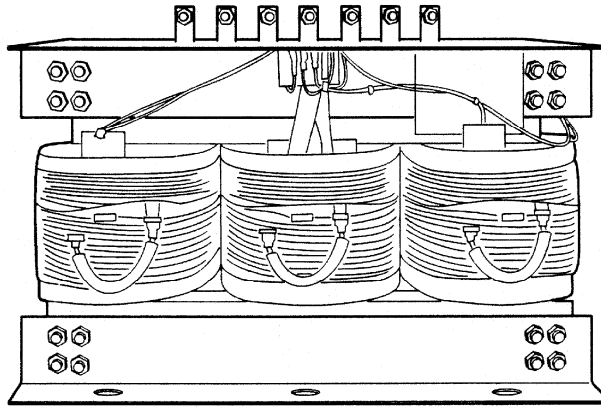
DUTY	PART. NO. AAA225GX** SUFFIX	SYMBOL
001	1	PT1
001A	54	
002	7	
002A	60	
003	32	
003A	25	
004	2	
004A	55	
005	5	
005A	58	
006	8	
006A	61	
007	33	
007A	26	
008	3	
008A	56	

DUTY	PART. NO. AAA225GX** SUFFIX	SYMBOL
009	6	PT1
009A	59	
010	15	
010A	22	
011	34	
011A	27	
012	37	
015	4	
015A	57	
016	9	
016A	20	
017	16	
017A	23	
018	35	
018A	28	

(Continued on Next Page)

Power Transformer

10-AAA21265AAA



This transformer is for 460 V power supply only.
For 208 V or 230 V refer to engineering.

DUTY	PART. NO. AAA225GX** SUFFIX	SYMBOL
018B	18	PT1
019	38	
022	22	
022A	20	
023	17	
023A	23	
024	36	
024A	19	
025	39	
029	11	
029A	12	
030	13	
030A	14	
031	29	
033	30	

DUTY	PART. NO. AAA225GX** SUFFIX	SYMBOL
038	31	PT1
301	40	
302	41	
303	40	
304	43	
305	44	
306	45	
307	46	
308	46	
309	48	
310	49	
311	50	
312	51	
313	52	
314	53	