


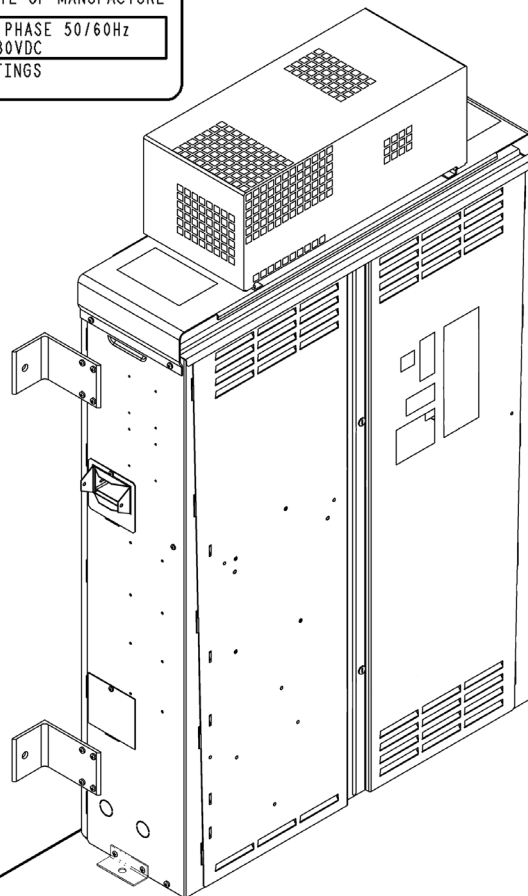
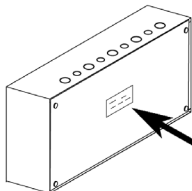
# UCM Adder Box for LRVF

**Spare Parts Leaflet**

**10-AAA21305BP**

**September 27, 2007 / Page 1 of 3**

		Otis		A United Technologies Company		CSA B44.1/ASME A17.5	
ASSEMBLED IN USA							
RELAY INTERFACE BOX			LRVF				
PART NAME			MODEL		CONTRACT		
10	AAA21305BP						
VINTAGE	PART NUMBER	DATE OF MANUFACTURE					
3A (MAX) 115-125VAC, 1 PHASE 50/60Hz							
1A (MAX), 24/30VDC							
ELECTRICAL RATINGS							



Unpublished Work—© Otis Elevator Co.; 2007

**OTIS**

**Safety First!**

**SERVICE ENGINEERING**  
**Otis Elevator Company**  
**Bloomfield, Connecticut USA**

**Leaflet Description**

This additional relay interface box is furnished to provide an additional, independent method of operating the rope gripper on LRVF controllers.

**Leaflet Revisions**

<b>Date Revised</b>	<b>Subject Matter Expert</b>	<b>Reason for Revision</b>
September 27, 2007	Chris Koenig	New SPL

**Related Drawings**

<b>Drawing No.</b>	<b>Title</b>	<b>Drawing No.</b>	<b>Title</b>
AAA21305BP	Miscellaneous Equipment, UCM Adder Box		

**Related Documents**

<b>Document ID</b>	<b>Title</b>
---	---

**Subject Matter Expert**

<b>Name</b>	<b>Department</b>
Chris Koenig	OSC, Modernization Department

**About Spare Parts Leaflets...**

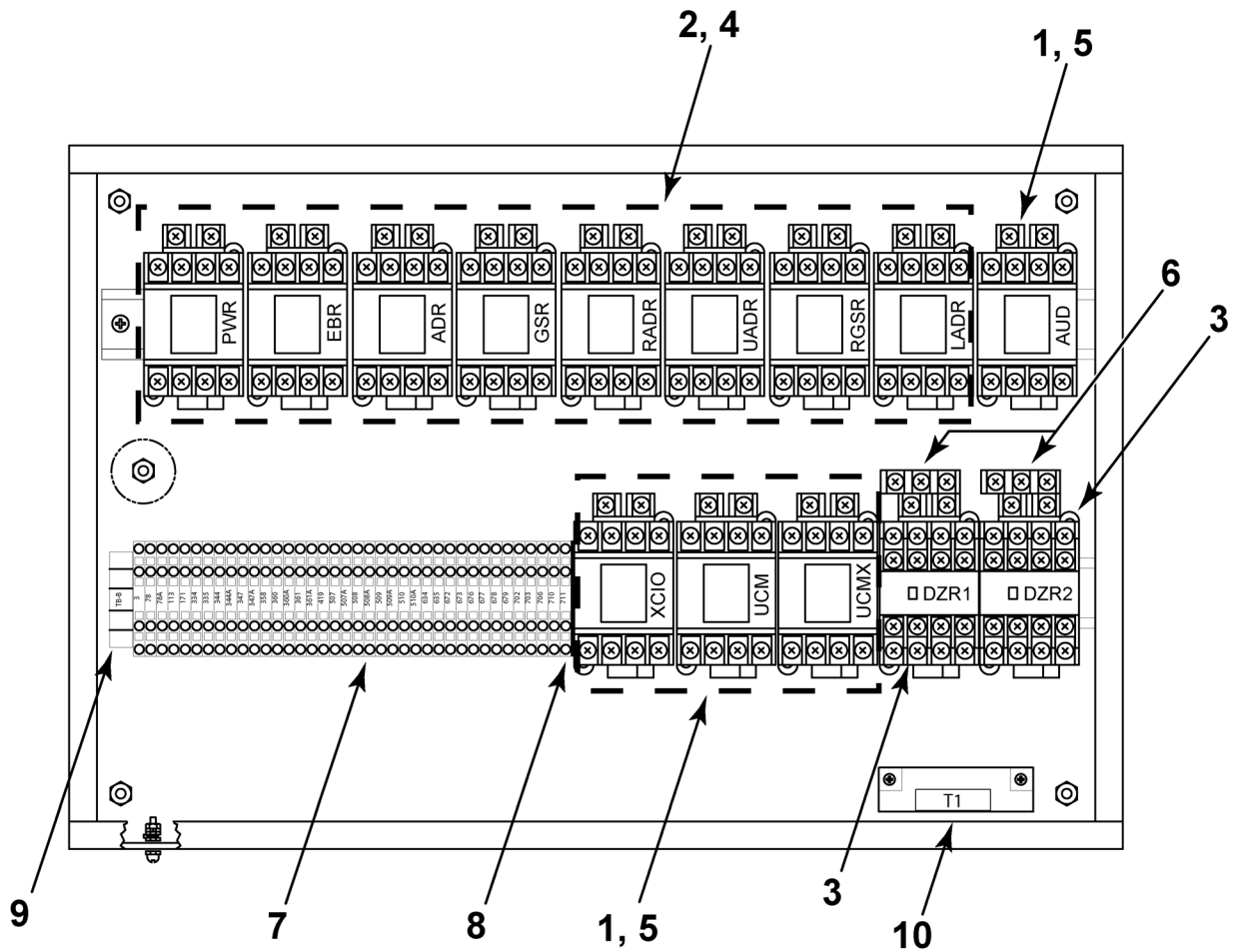
This document lists the lowest replaceable units (LRUs) for the standard version of the product. The LRUs are chosen by a team of Otis associates representing engineering and manufacturing.

While goal of this document is to make parts identification as easy as possible, the document cannot be all-inclusive. Elevator and escalator contracts classified as "special" or "custom" are not addressed here. For such contracts, please refer to specified information, the contract folder, TIPs, Field Education Articles, Construction Letters, etc. for further information.

If you have any suggestions about this document, please contact the subject matter expert listed on this page.

# UCM Adder Box Components

**10-AAA21305BP**



**AAA21305BP**

REF. No.	PART No.	DESCRIPTION	RELAY
1	AAA612T7	Diode (rectifier)	UCM, UCMX, XCIO, AUD
2	AAA613DL61	Relay Suppressor	PWR, EBR, ADR, GSR, RADR, RGSR, UADR, LADR
3	AAA613DL36	Relay, 120 VAC Coil, 4 N.O., 4 N.C. Contacts	DZR1, DZR2
4	AAA613DL30	Relay, 120 VAC Coil, 3 N.O., 1 N.C. Contacts	PWR, EBR, ADR, GSR, RADR, RGSR, UADR, LADR
5	AAA613DL92	Relay, 24 VDC Coil, 2 N.O., 2 N.C. Contacts	XCIO, UCM, UCMX, AUD
6	AAA613DL81	Relay, Coil Driver, 24 VDC Coil	DZR1, DZR2
7	AAA303EP1	Terminal Block	---
8	AAA303EP3	Terminal Block, End Plate	---
9	AAA303EP105	Terminal Block, End Stop	---
10	AAA623AA7	Timer	T1