

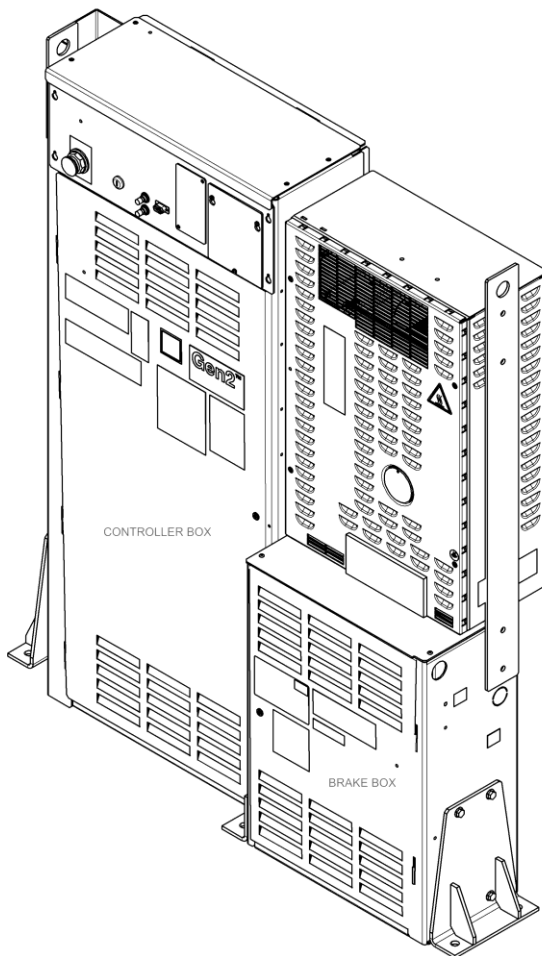
Global Control System for Modernization Controller Box

Spare Parts Leaflet

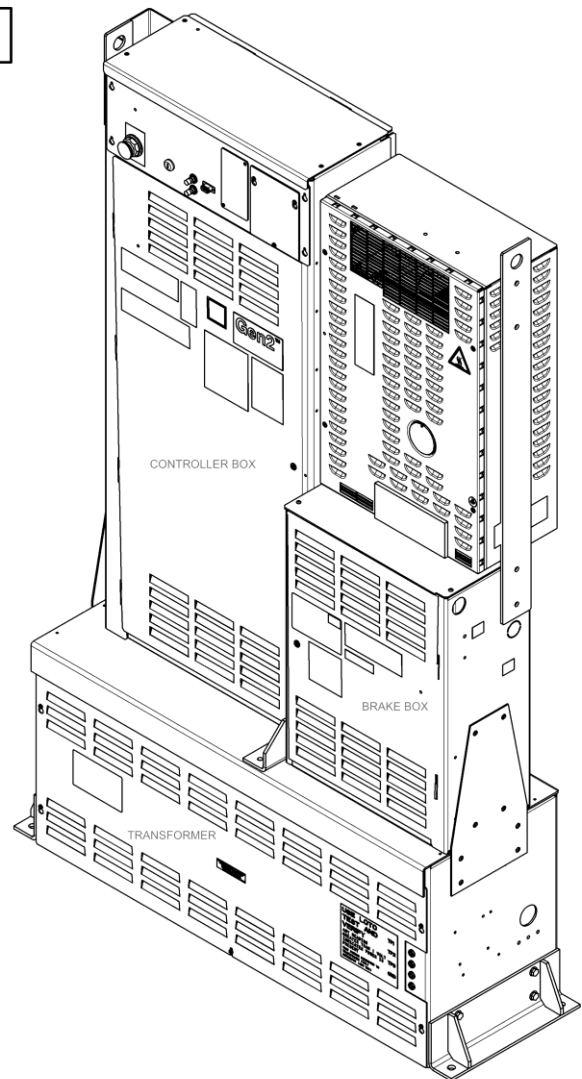
10-AAA21305BT

September 28, 2022 / Page 1 of 10

10 H - AAA21305BT



Controller without Transformer Box



Controller with Transformer Box

OTIS

This document does not contain any
technical data subject to EAR or ITAR

SERVICE ENGINEERING
Otis Elevator Company
Bloomfield, Connecticut USA

Unpublished Work—© Otis Elevator Co.; 2022

Leaflet Description

This leaflet lists spare parts for type ABA21305BT global control system for Modernization (GCS).

Leaflet Revisions

Date Revised	Subject Matter Expert	Reason for Revision
October 13, 2009	Christopher Koenig	New SPL
June 9, 2010	Matt Fournier	Added OMU tool and software on p. 4
September 15, 2010	Matt Fournier	Added p/n AAA616NL15 in ref. 11 on p. 4
November 16, 2011	Christopher Koenig	Added jumpers, MTI plug, and I/O board references
December 11, 2019	Ali Bozorgzadeh	Added ribbon cable p/n 174HT10 to p. 4
September 28, 2022	Christopher Koenig	Update for Torin Brake interface

Related Drawings

Drawing No.	Title	Drawing No.	Title
AAA21305BT	NSAA GCSM Control Section Assembly	AAA21310AF	Gearless Variable Frequency Controller NSAA Global Control System
AAA21305BV	Brake Box	ADA21305BR	Transformer Box

Related Documents

Document ID	Title
SPL 10-AAA21310AF	Gearless Variable Frequency Controller NSAA Global Control System
SPL 10-AAA21305BV	Global Control System: Brake Box
SPL 10-ADA21305BR	Global Control System: Transformer Box

Subject Matter Expert

Name	Department
Christopher Koenig	OSC Engineering, Bloomfield

About Spare Parts Leaflets...

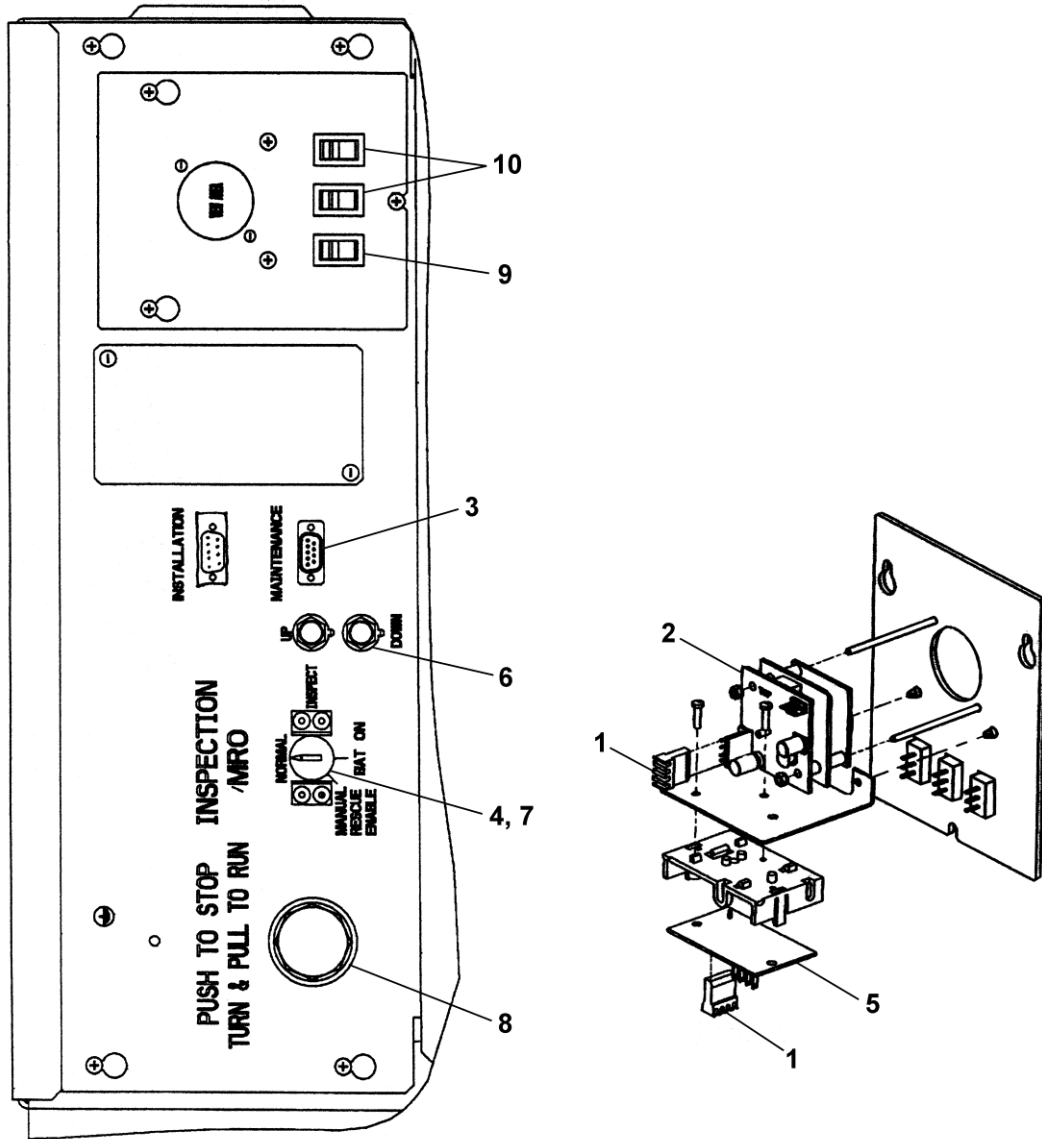
This document lists the lowest replaceable units (LRUs) for the standard version of the product. The LRUs are chosen by a team of Otis associates representing engineering and manufacturing.

While goal of this document is to make parts identification as easy as possible, the document cannot be all-inclusive. Elevator and escalator contracts classified as “special” or “custom” are not addressed here. For such contracts, please refer to specified information, the contract folder, TIPS, Field Education Articles, Construction Letters, etc. for further information.

If you have any suggestions about this document, please contact the subject matter expert listed on this page.

Inside Cabinet

10-AAA21305BT

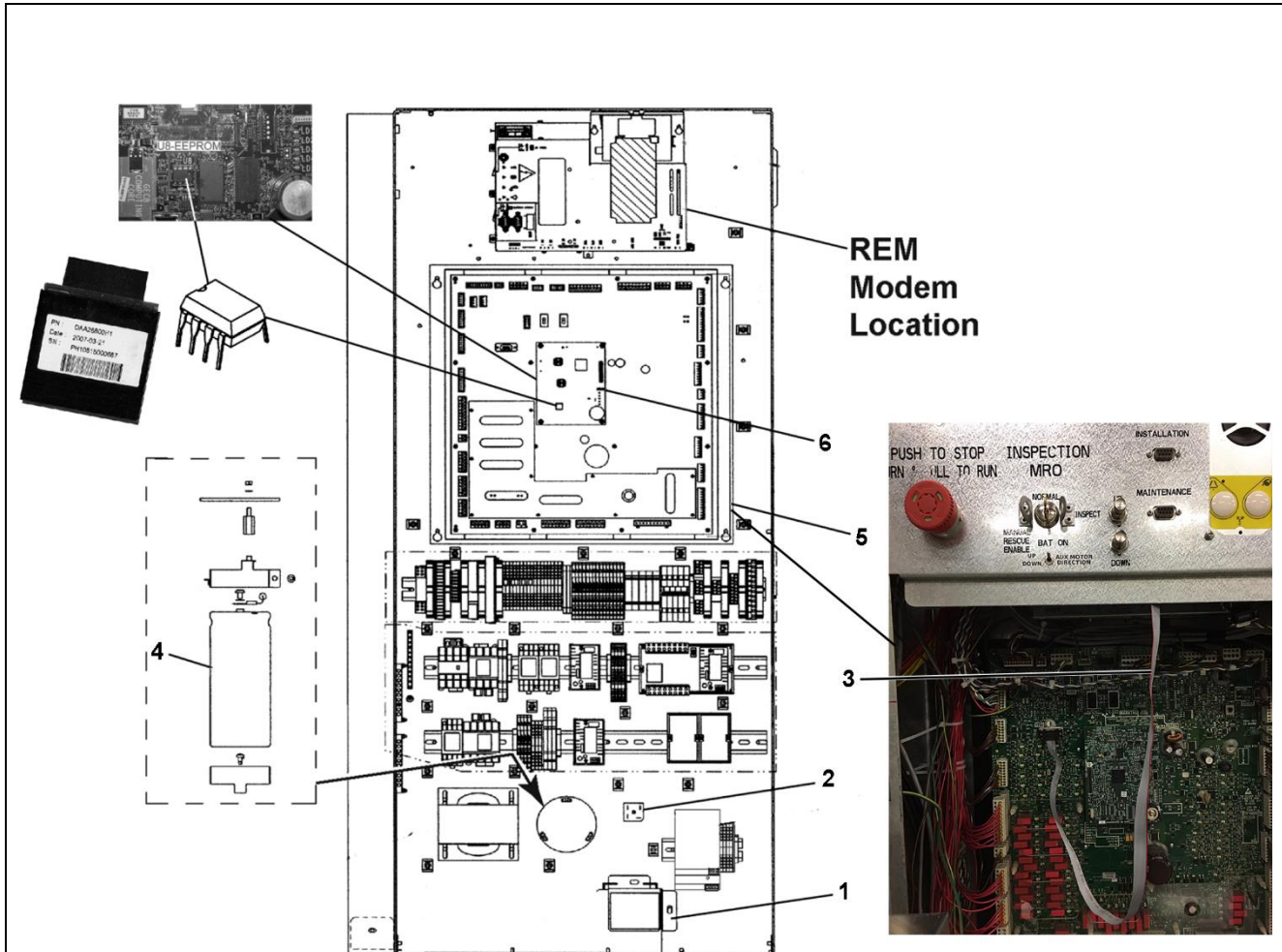


AAA21305BT

REF. No.	PART No.	DESCRIPTION	REMARKS
1	AAA447AC3	Connector, 4-Pole IDC	C4RS, PI
2	AAA25100C1	Display	PI
3	174HT7	Harness, Main Plug	
4	AAA431AF6 AAA431AF21	Lock, Key	---
5	GFA23550D10 GFA23550D1	Station, Remote, RS5	C4RS
6	AAA635L3	Switch, Pushbutton	CUIB, CDIB
7	ABA636A21	Switch, Rotary	CIS/MRO
8	JAA635ABT101	Switch, Stop	CES
9	AAA177EM4	Switch, Toggle	CCTL, CCBL
10	AAA177EM5	Switch, Toggle	DDOS, CHCS

10-AAA21305BT

REM 5, Capacitors & Resistors

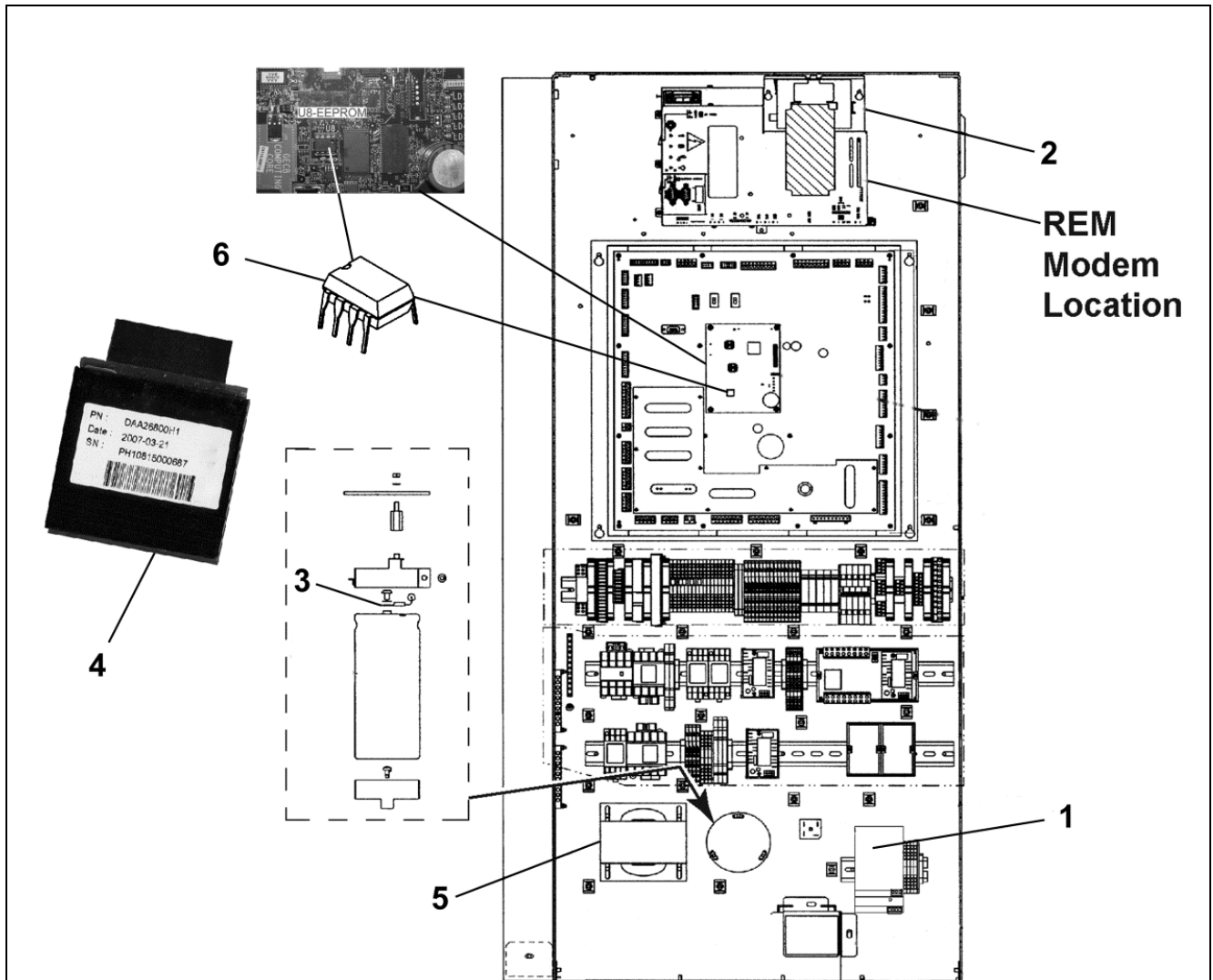


AAA21305BT		
REF. No.	PART No.	DESCRIPTION
1	AAA718E3	Battery, Position Loss Recovery
2	230BS3 AAA612AM4	Bridge, Diode, with i-MOTION
3	174HT10	Cable, Ribbon (Maintenance)
4	226DR1	Capacitor (1400 uf, 450 VDC), with i-MOTION
---	AAA646E6	Jumper, 0.2 in. Centers, J1, J2, J4, J5 (not shown)
---	AAA646D2	Jumper, 0.1 in. Centers, J3, J6, J7, J8, J10 (not shown)
5	ADA26800ANY1 AGA26800ANY1	PC Board, ANSI Input Output Board (w/CDBP & LDBP)
	AGA26800ANY2	PC Board, ANSI Input Output Board (w/o CDBP & LDBP)
6	ABA26800AVP1	PC Board, Micro Processor (see CAUTION)

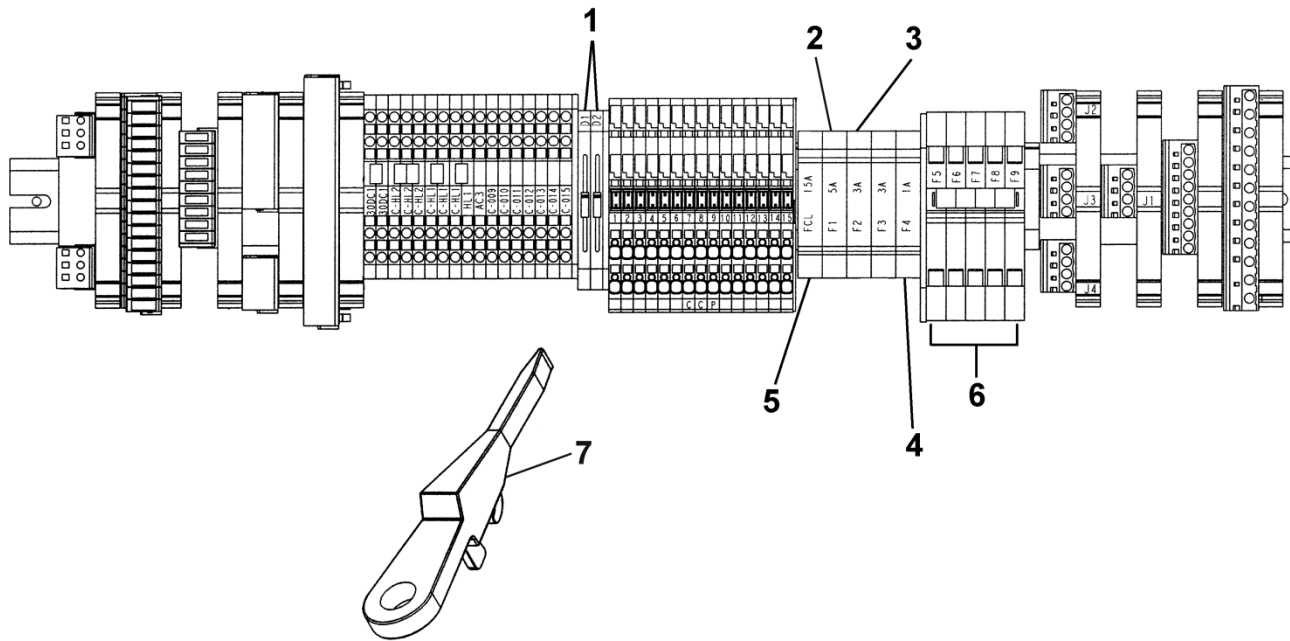
CAUTION: When swapping p/n AEA26800AML4, remember to remove 8-pin socketed EEPROM (U8) from the existing PCB or your E2P will be lost.

REM 5, Capacitors & Resistors

10-AAA21305BT



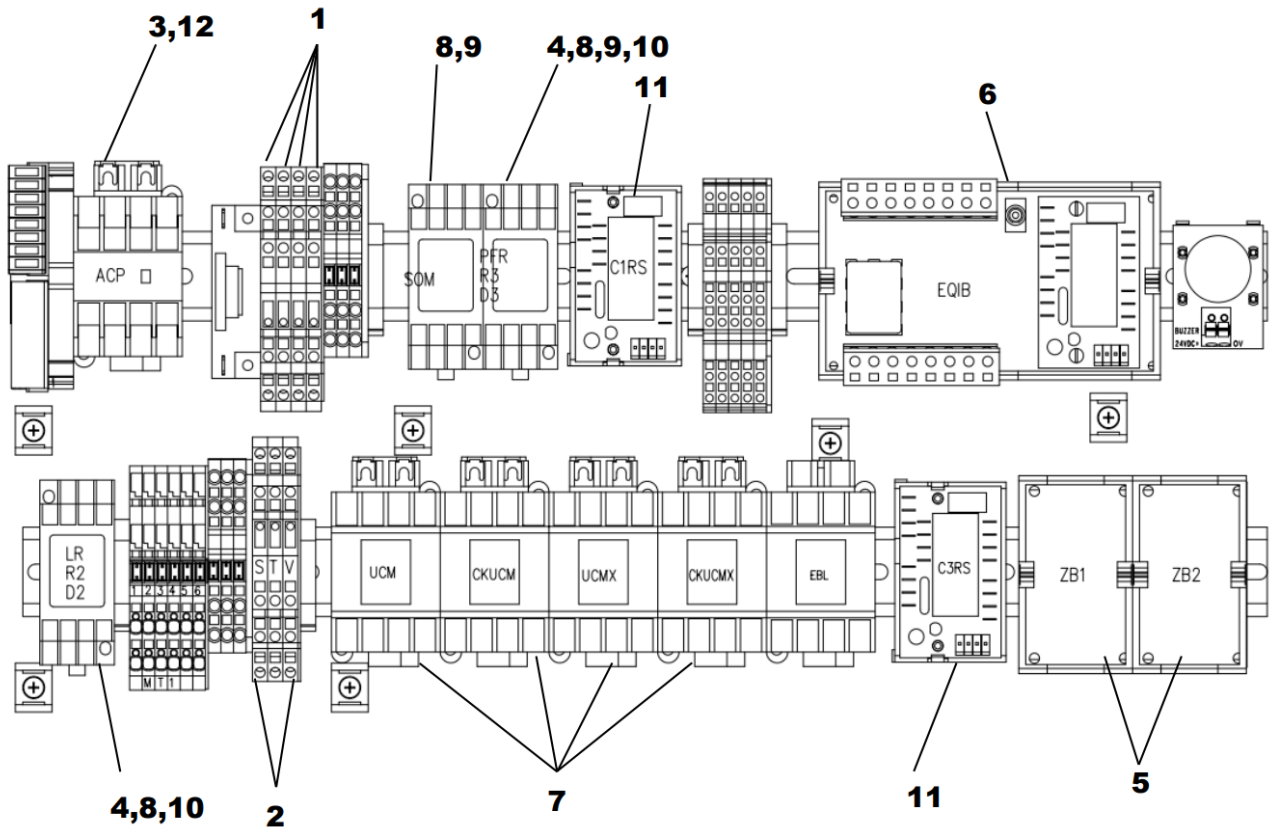
AAA21305BT		
REF. No.	PART No.	DESCRIPTION
1	AAA621AT14	Power Supply, 24 VDC
2	AAA21700AA2	REM 5 (see TIP 27.3-5 to upgrade to REM6)
	ACA26800ARH1	REM6 Autodialer
	ACA26800ARH2	REM6 Autodialer with NSAA Software
	ADA26800ARH3	REM6 Autodialer with NSAA Software and Speech Library
---	AAA27076T1039	REM Modem with Line Share (not shown)
3	AAA232GJ76	Resistor (10 kOhms, 5 W), with i-MOTION
4	DCA26800H21	Tool, OMU (for software download) Blank
	AP131355ADAH	Tool, OMU Programmed with AP131355DAH Software
5	AAA225MB1	Transformer (TRD), 120 V Primary, 93 V Secondary, with i-MOTION
6	AAA616NL15	U8, 256K Bit Serial EEPROM, Blank



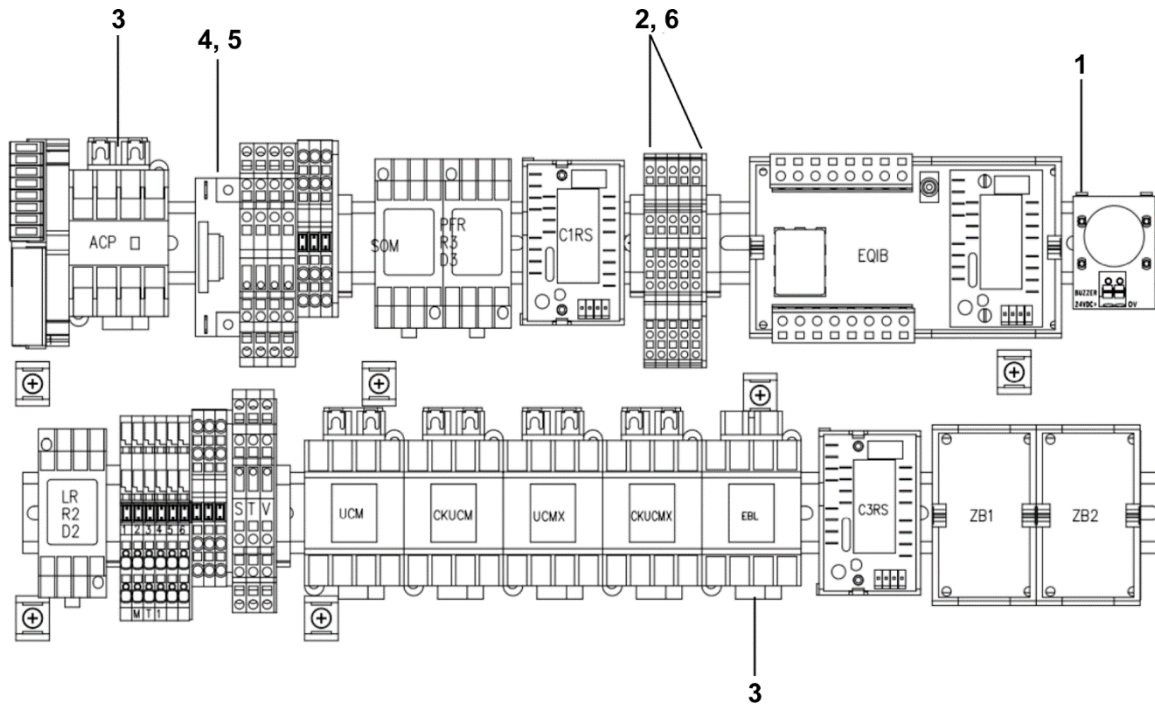
AAA21305BT			
REF. No.	PART No.	DESCRIPTION	REMARKS
1	AAA612AK1	Diode (REFK)	D1
	AAA612AK1	Diode (MTI)	D2
2	AAA375BT19	Fuse, 5 A, Fast Acting	F1
3	AAA375BR16	Fuse, 6-1/4 A	F2
4	AAA375BR6	Fuse, 1 A	F4
5	AAA375CJ5	Fuse, 15 A	FCL
6	AAA375C9	Fuse, ATC Type 5 A	F5, F6, F7, F8, F9
7	AAA27EF11	Tool, Terminal Block Operating, 5 mm	
	AAA27BZ2	Tool, Terminal Block Operating, 2.5 & 3.5 mm	

Terminal Blocks, Relays

10-AAA21305BT



AAA21305BT			
REF. No.	PART No.	DESCRIPTION	REMARKS
1	AAA303EP199	Block, Terminal, with Relay	R, U, P, Y
2	AAA303EP199	Block, Terminal, with Relay/ MTI	S, T, or V
3	AAA613DL72	Contact, Auxiliary (2NO, 2NC)	ACP
4	AAA612AF3	Diode	D2 or D3
5	AAA21380D1	Module, Filter (RSL)	ZB1, ZB2
6	ABB21380E3	Module, Earthquake	EQIB
7	AAA613DL31	Relay, 120 VAC Coil (2NO, 2NC)	UCM, CKUCM Rope Gripper
	AAA638AF13	Contact, 120 VAC Coil (4NO)	UCMX, CKUMX Torin Brake
	AAA613DL72	Contact, Auxiliary (2NO, 2NC)	
8	AAA613CZ8	Relay, Socket Mount, 24 VDC	PFR, or SOM or LR
9	618AE2	Relay Socket	PFR, or SOM
10	AAA232FV73	Resistor, 1K, 1/4W	R2 or R3
11	AAB26810A1	Station, Remote	C1RS
	AAB26810A1	Station, Remote (MTI)	C3RS
12	AAA613DL61	Suppressor	ACP



AAA21305BT			
REF. No.	PART No.	DESCRIPTION	REMARKS
1	AAA731C11	Buzzer	BUZ
2	AAA303EP212	Plate, End	---
---	AAA612AJ1	Rectifier, 3-Phase (not shown)	BR6 (Torin brake)
3	AAA613DL31	Relay, 120VAC Coil (2NO, 2NC)	ACP EBL (Torin Brake)
4	AAA623AA10	Timer	T10 (Torin brake)
5	AAA41AX1	Timer Base	T10 (Torin brake)
6	AAA303EP211	Terminal Block	RSL

GCS-IO Board Connectors

10-AAA21305BT

PLUG	PART No	TYPE	POSITION	PITCH
P1	AAA447AE13	AMP/IDC	12	0.156 in.
P2	AAA447AE8		7	0.156 in.
P3	AAA447AE9		8	0.156 in.
P4	AAA447AE11		10	0.156 in.
P5	AAA447AE4		4	0.156 in.
P6	Not Used		9	
P7	AAA447AE6		5	
P8	AAA447AE14		13	0.156 in.
P9	AAA447AE7		6	0.156 in.
P10A	AAA447BK1		WAGO	4
P10B	AAA447BK2	4		5 mm
P11	AAA447BK3	9		5 mm
P12	AAA447BK4	9		5 mm
P13	Not Used	Shrouded	10	
P14	AAA447BK5	WAGO	4	3.5 mm
P15	AAA447BK6		5	5 mm
P16	AAA447BK7		3	3.5 mm
P17	AAA447BK72		10	3.5 mm
P18	AAA447BK8		5	3.5 mm
P19	AAA447BK9		7	3.5 mm
P20	AAA447BK10		8	3.5 mm
P21	AAA447BK11		10	3.5 mm
P22	AAA447BK12		10	5 mm
P23	AAA447BK73		2	5 mm
P24	AAA447BK13		6	5 mm
P25	AAA447BK14		6	5 mm
P26	AAA447BK15		5	5 mm
P27	AAA447BK16		5	5 mm
P28	AAA176HH51		4	5 mm
P29	AAA447BK18		2	7.5 mm
P30	AAA447BK19		8	5 mm
P31	AAA447BK20		8	5 mm
P32	AAA447BK21		10	5 mm
P43	AAA447BK4		3	5 mm

Plug Connectors

LOCATION	PLUG	HEADER	MTG. BASE	POSITION	PITCH
CLS	AAA447BK76	AAA176HH313	GAA648AT1	3	5.08 mm
RPP	AAA447BK77	AAA176HH313		3	5.08 mm
CRD1	AAA176HH95	AAA176HH317	GAA648AT1	9	5 mm
CRD2	AAA447AP256	AAA176HH58		4	5 mm
BO	AAA447BK84	AAA176HH340	GAA648AT1	20	5.08 mm
TCP1	AAA447BK74	AAA176HH61	GAA648AT1	20	5 mm
J1	AAA447AP256	AAA176HH58	GAA648AT1	4	5 mm
J2	X	AAA176HH58	GAA648AT1	4	5 mm
J3	X	AAA176HH58		4	5 mm
J4	X	AAA176HH58		4	5 mm
CB3	AAA176HH318	AAA447AP91		GAA648AT1	5
CB2	AAA176HH303	AAA176HH301	12		7.5 mm
CB1	AAA176HH306	AAA176HH98	GAA648AT1	9	5 mm
MTI	AAA447BK83	AAA303EP216		6	5 mm