

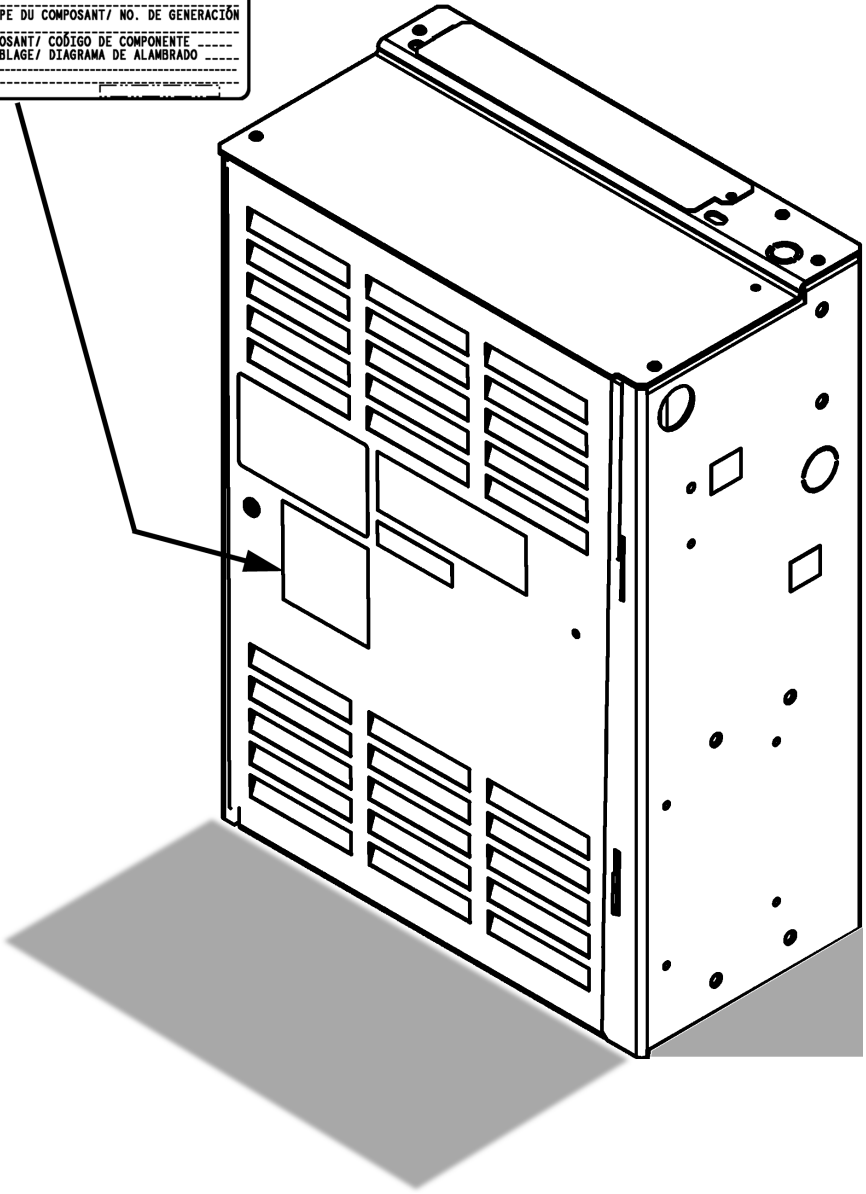
# NSAA Global Control System Brake Module

## Spare Parts Leaflet 10-AAA21305BV

September 15, 2010 / Page 1 of 8

**Otis**  
A United Technologies Company

SERIAL NUMBER/ NO. DE SÉRIE/ NO. DE SERIE \_\_\_\_\_  
 SALES NUMBER/ NO. DE VENTA/ NO. DE VENTA \_\_\_\_\_  
 MODEL NO./ NO. DE MODELE/ NO. DE MODELO \_\_\_\_\_  
 VOLTS/ VOLTS/ VOLTIOS \_\_\_\_\_  
 AMPS/ AMPERES/ AMPERIOS \_\_\_\_\_  
 PHASES/ LES PHASES / FASES \_\_\_\_\_  
 HERTZ/ HERTZ/ HERTZ \_\_\_\_\_  
 H.P. / CHEVAUX/ CABALLO DE FUERZA \_\_\_\_\_ H.P. (KW) \_\_\_\_\_  
 WIRES/ LES CABLES/ ALAMBRES \_\_\_\_\_  
 COMP. VINTAGE NO./ NO. DE TYPE DU COMPOSANT/ NO. DE GENERACION \_\_\_\_\_  
 PASADA DE COMPONENTE \_\_\_\_\_  
 COMPONENT CODE/ CODE DU COMPOSANT/ CÓDIGO DE COMPONENTE \_\_\_\_\_  
 WIRING DIAGRAM/ SCHÉMA DE CÂBLAGE/ DIAGRAMA DE ALAMBRADO \_\_\_\_\_  
 DATE/ DATE/ FECHA \_\_\_\_\_



Unpublished Work—© Otis Elevator Co.; 2010

**OTIS**

**Safety First!**

**SERVICE ENGINEERING**  
 Otis Elevator Company  
 Bloomfield, Connecticut USA

**Leaflet Description**

This leaflet provides spare parts information for Brake Control Power Conditioning (BCPC) module used in NSAA GCS controller assembly AAA21310AF.

**Leaflet Revisions**

<b>Date Revised</b>	<b>Subject Matter Expert</b>	<b>Reason for Revision</b>
April 25, 2009	Chris Koenig	New SPL
September 15, 2010	Chris Koenig	Revised power supply part number on page 8

**Related Drawings**

<b>Drawing No.</b>	<b>Title</b>	<b>Drawing No.</b>	<b>Title</b>
AAA21305BV	Miscellaneous Equipment NSAA GCS Brake Module		

**Related Documents**

<b>Document ID</b>	<b>Title</b>
SPL 10-ABA21305BT	NSAA GCS-M Control Section Assembly
SPL 10-ADA21305BR	Transformer and Box Assembly (GCS Controller)

**Subject Matter Expert**

<b>Name</b>	<b>Department</b>
Chris Koenig	OSC Service Engineering

**About Spare Parts Leaflets...**

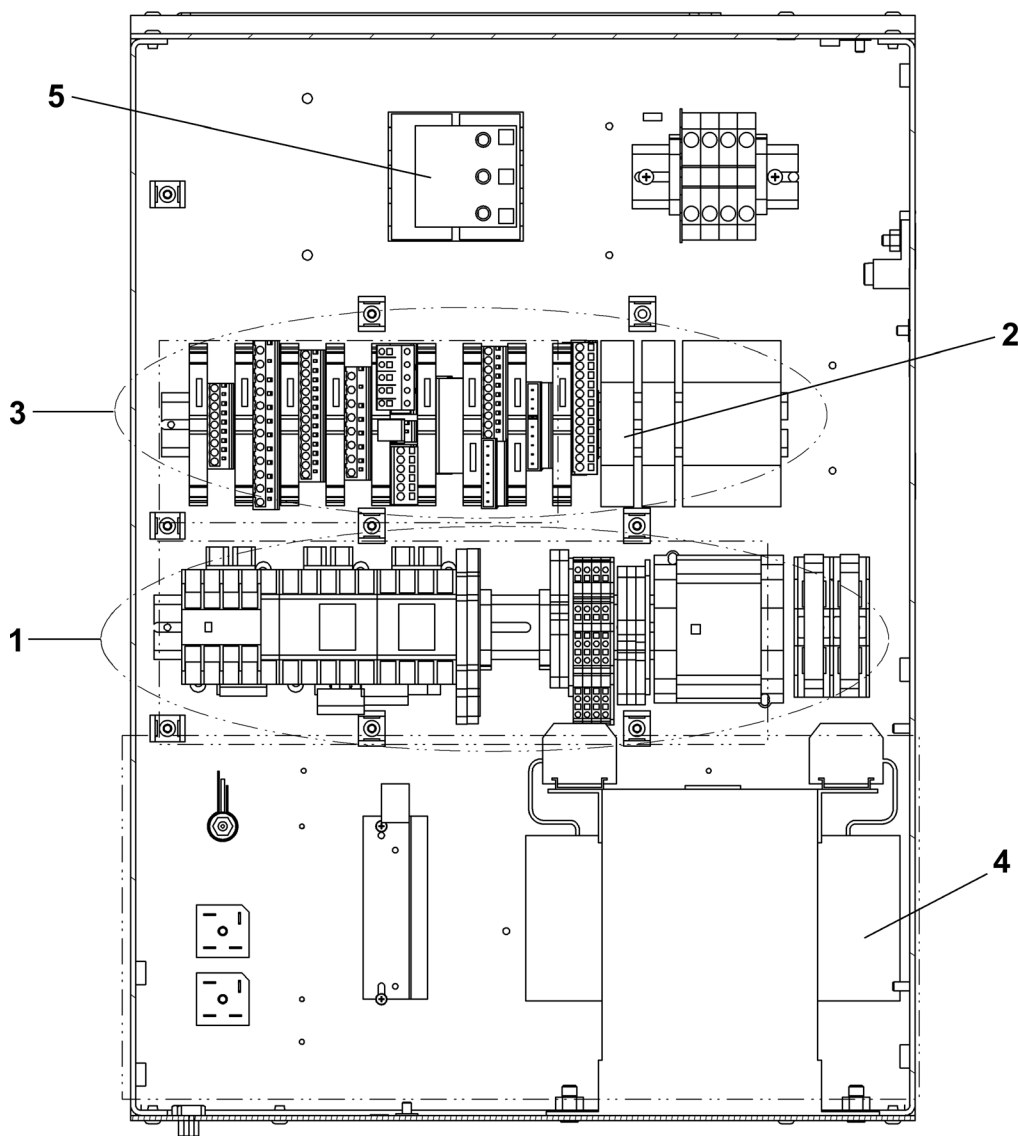
This document lists the lowest replaceable units (LRUs) for the standard version of the product. The LRUs are chosen by a team of Otis associates representing engineering and manufacturing.

While goal of this document is to make parts identification as easy as possible, the document cannot be all-inclusive. Elevator and escalator contracts classified as "special" or "custom" are not addressed here. For such contracts, please refer to specified information, the contract folder, TIPs, Field Education Articles, Construction Letters, etc. for further information.

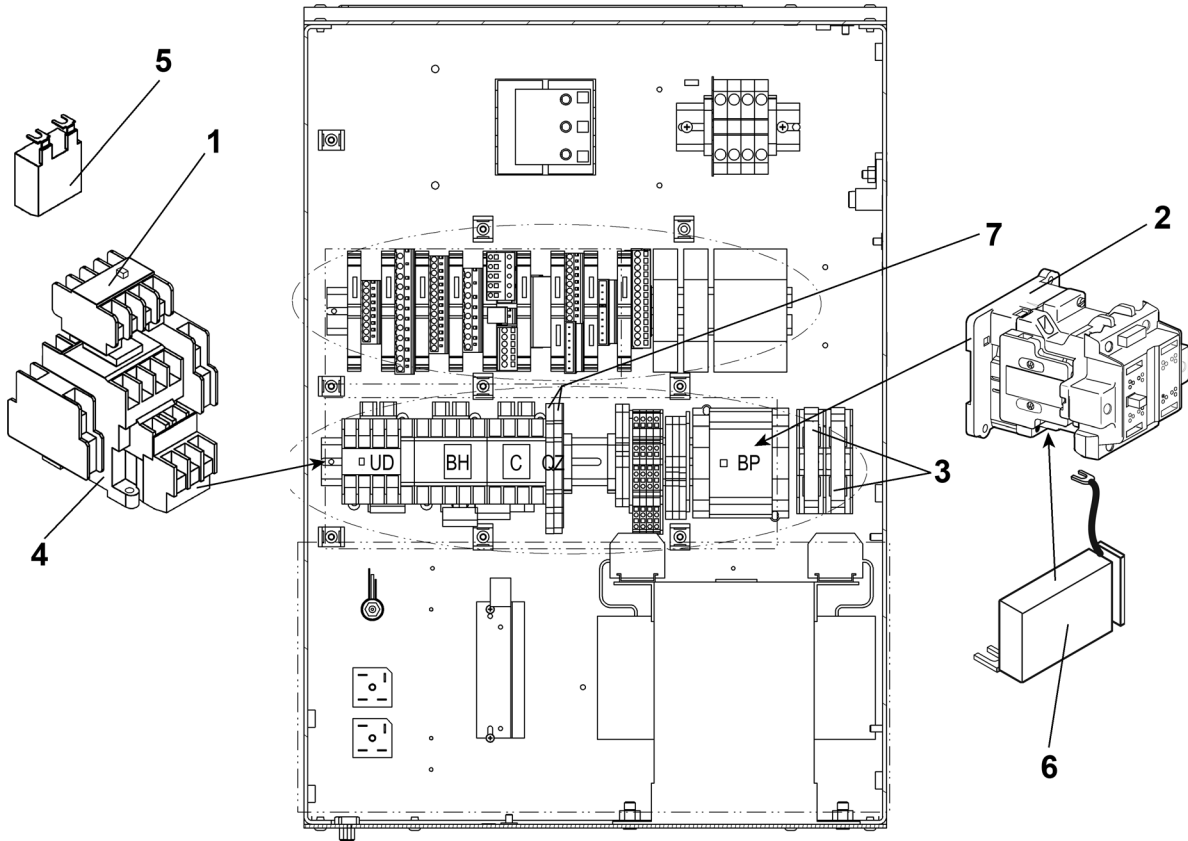
If you have any suggestions about this document, please contact the subject matter expert listed on this page.

# Table of Contents

**10-AAA21305BV**



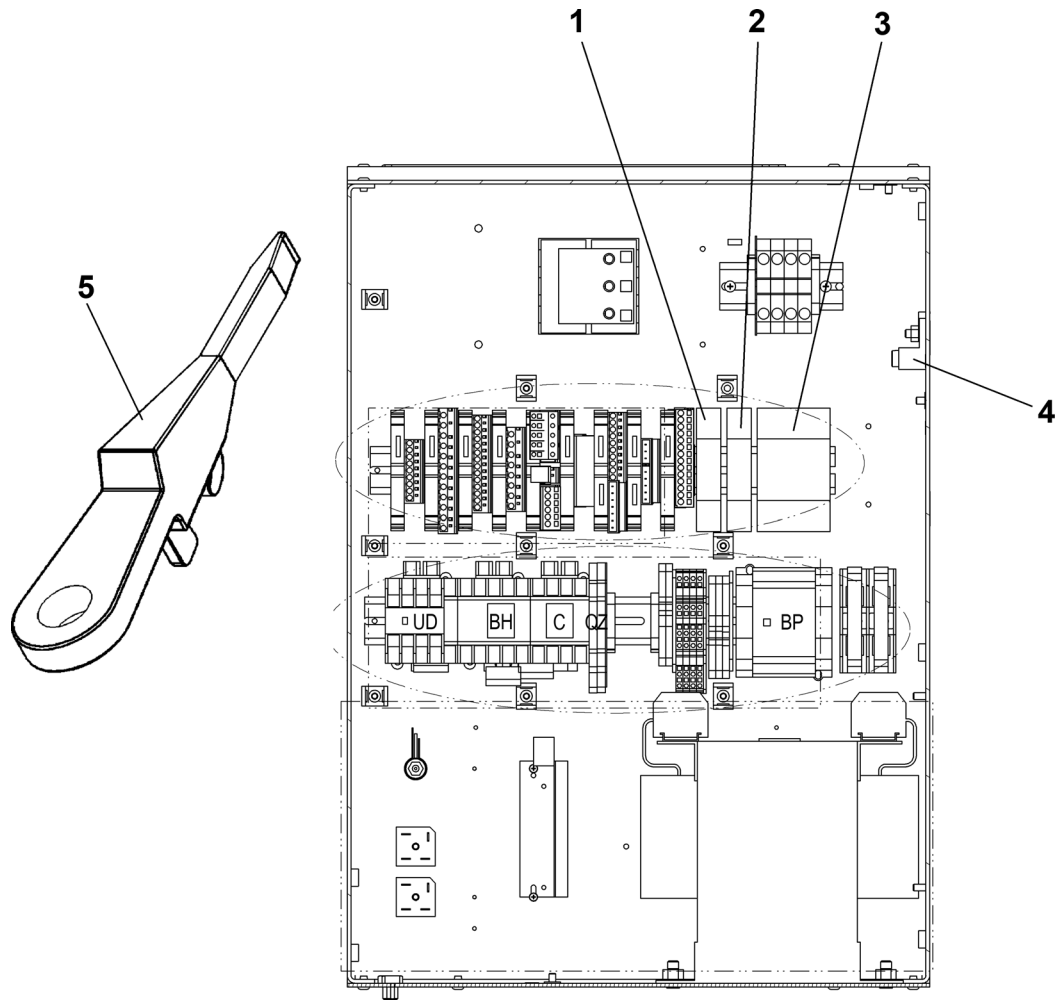
REF. No.	PAGE No.	DESCRIPTION
1	4	Lower Din Rail
2	5	Circuit Breakers
3	6-7	Plug Connectors
4	8	Power Supplies
5	8	Main Terminal



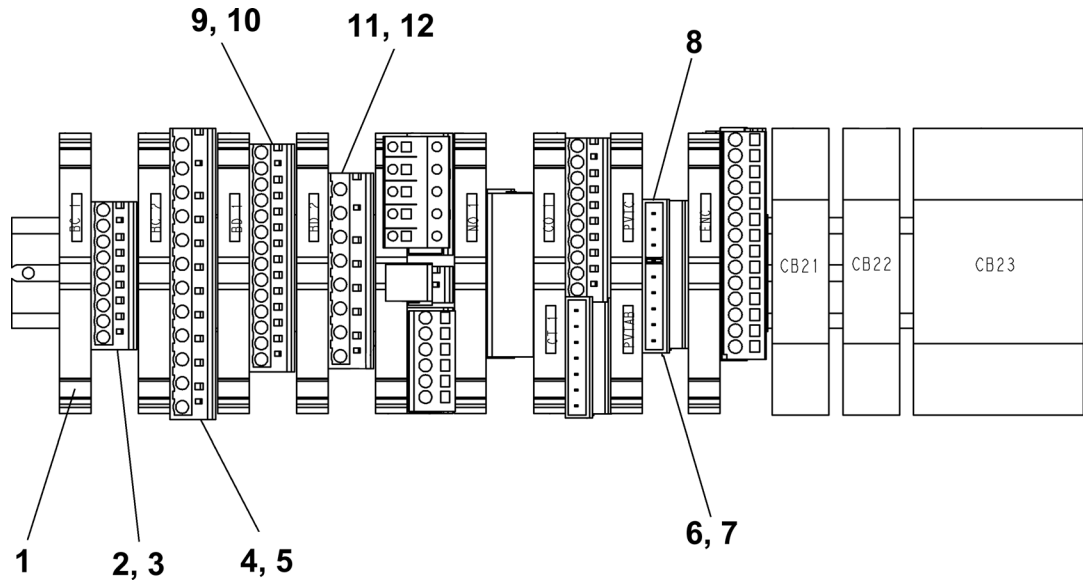
AAA21305BV			
REF. No.	PART No.	DESCRIPTION	SYMBOL
1	AAA613DL72	Block, Auxiliary Contact, 2NO, 2NC	UD
2	AAA638J2	Contactors, 2NO Main, 2NO, 2NC Aux.	BP
3	AAA375BK31	Fuse, Time Delay, 5A	FM1, FM2
4	AAA613DL30	Relay, , 3NO, 1NC	C
	AAA613DL31	Relay, , 2NO, 2NC	BH
	AAA638AF15	Relay, Contactor, 3NO Main, 1NO, 1NC Aux.	UD
5	AAA613DL61	Suppressor	C, UD, UCM
6	AAA00605AAA002	Suppressor, Transient	BP
7	AAA303EP199	Terminal Block, with Relay	Q, Z

# Circuit Breakers

**10-AAA21305BV**



<b>AAA21305BV</b>			
<b>REF. No.</b>	<b>PART No.</b>	<b>DESCRIPTION</b>	<b>SYMBOL</b>
1	AAA00375AAF010	Circuit Breaker, 1-Pole	CB21
2	AAA00375AAF007	Circuit Breaker, 1-Pole	CB22
3	AAA00375AAJ006	Circuit Breaker, 3-Pole	CB23
4	AAA190CM3	Lug, Ground	PE
---	AAA303EP77	Tool, Terminal Block Operating (taped to door), Part Not Shown	---
5	AAA27BZ2	Tool, Terminal Block, L = 50 mm, Black, for 2.5 & 3.5 mm (taped to door)	---
	AAA27BZ1	Tool, Terminal Block, L = 50 mm, White, for 5 mm (taped to door)	---



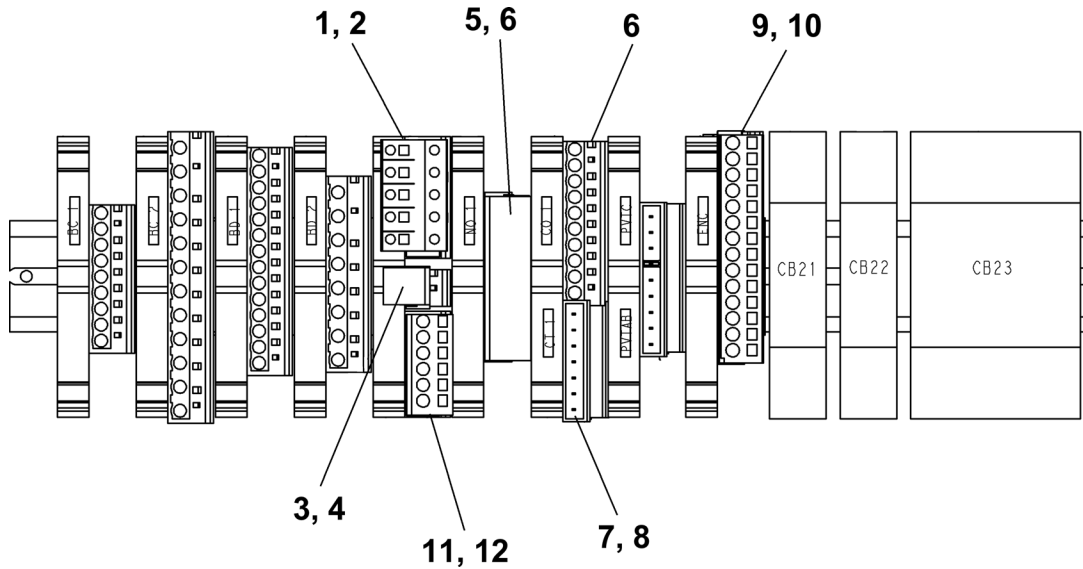
**AAA21305BV**

REF. No.	PART No.	DESCRIPTION	SYMBOL
1	GAA648AT1	Adapter, Din Rail Mounting	All
2	AAA176HH306	Plug, 9-Position, 5 mm Pitch	BC1
3	AAA176HH98	Header, 9-Position, 5 mm Pitch	
4	AAA176HH303	Plug, 12-Position, 7.5 mm Pitch	BC2
5	AAA176HH301	Header, 12-Position, 7.5 mm Pitch	
6	AAA447AP19	Plug, 5-Position, 5 mm Pitch	PVTAB
7	AAA176HH46	Header, 9-Position, 5 mm Pitch	PVTAB, PVT C
9	AAA447AP379	Plug, 14-Position, 5 mm Pitch	BD1
10	AAA176HH327	Header, 14-Position, 5 mm Pitch	
11	AAA176HH302	Plug, 8-Position 7.5 mm Pitch	BD2
12	AAA176HH300	Header, 8-Position, 7.5 mm Pitch	

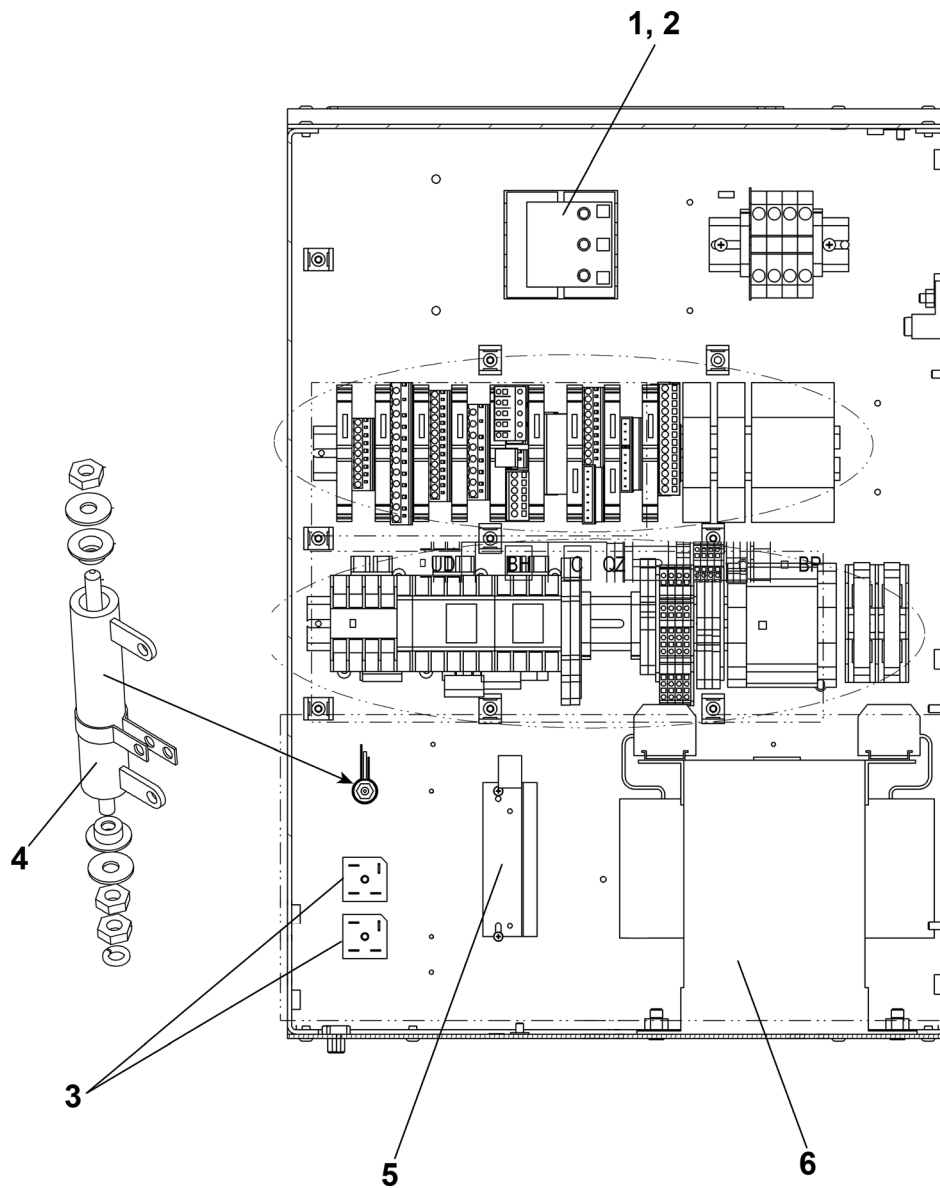
(Continued on next page)

# Plug Connectors

**10-AAA21305BV**



AAA21305BV			
REF. No.	PART No.	DESCRIPTION	SYMBOL
1	AAA447AP355	Plug, 5-Position, 7.5 mm Pitch	BR1
2	AAA176HH318	Header, 5-Position, 7.5 mm Pitch	
3	AAA176HH97	Plug, 2-Position, 5 mm Pitch	BM1
4	AAA176HH55	Header, 2-Position, 5 mm Pitch	
5	AAA176HH62	Plug, 10-Position, 5 mm Pitch	NO1, CO1
6	AAA176HH60	Header, 10-Position, 5 mm Pitch	
7	AAA447BE20	Plug, 7-Position, 5 mm Pitch	CT1
8	AAA176HH33	Header, 7-Position, 5 mm Pitch	
9	AAA447AP379	Plug, 14-Position, 5 mm Pitch	ENC
10	AAA176HH327	Header, 14-Position, 5 mm Pitch	
11	AAA447AP70	Plug, 6-Position, 5 mm Pitch	BS1
12	AAA176HH319	Header, 6-Position, 5 mm Pitch	



**AAA21305BV**

REF. No.	PART No.	DESCRIPTION	SYMBOL
1	303DH16	Block, Main Power Terminal	TBL
2	AAA346BCD1	Cover, Terminal Block	
3	230BS3	Rectifier, Bridge	BRD1, BRD2
4	232B9	Resistor	BRES
5	AAA621AN17	Supply, Power, 9 VDC	PS9VDC
6	AAA225MF1	Transformer	TRM