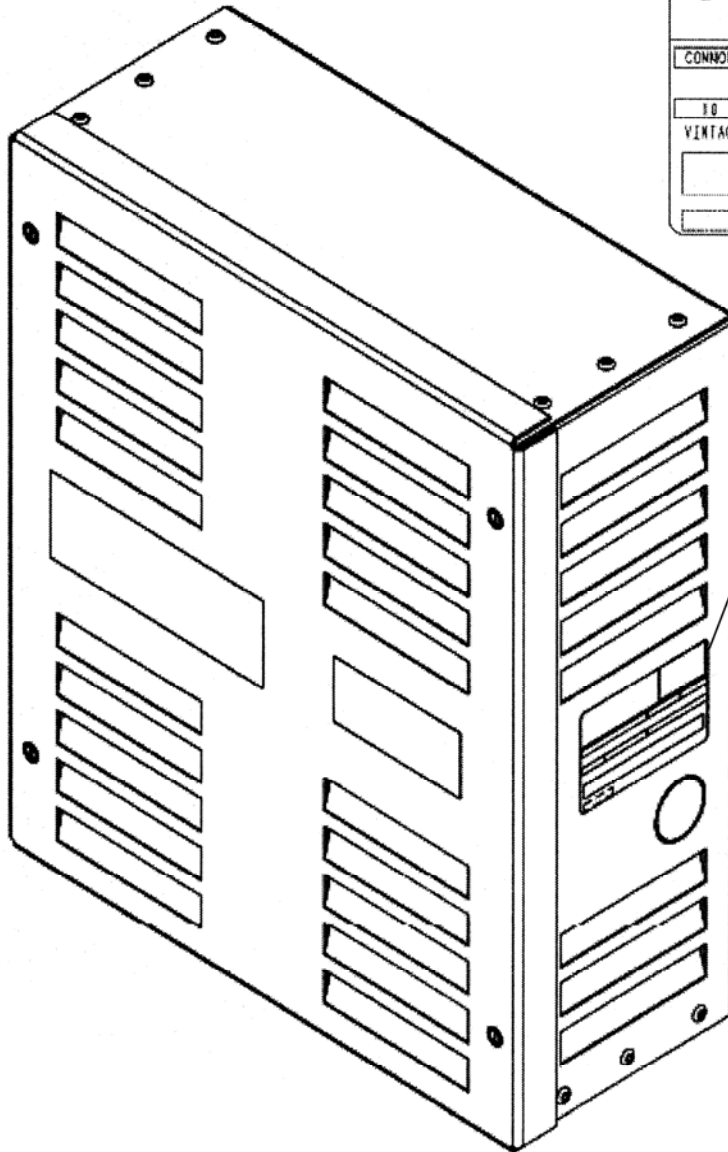



# Global Control System Common Mode Filter

## Spare Parts Leaflet 10-AAA21305BZ

January 27, 2010 / Page 1 of 3



|  |             |                     |
|--|-------------|---------------------|
|  <b>Otis</b><br><small>A United Technologies Company</small> |             |                     |
| <small>ASSEMBLED IN USA</small>  |             |                     |
| COMMON MODE FILTER BOX   | GCS         |                     |
| PART NAME  | MODEL       | CONTRACT            |
| 10   | AAA21305BZ  |                     |
| VINTAGE  | PART NUMBER | DATE OF MANUFACTURE |
| CURRENT: 30A (rms), 60A (peak)<br>VOLTAGE: 600V (max), 60Hz, 3 PHASE   |             |                     |
| ELECTRICAL RATINGS   |             | AAA102V116          |

Unpublished Work—© Otis Elevator Co.; 2010

# OTIS

Safety First!

ENGINEERING  
Otis Elevator Company  
Farmington, Connecticut USA

## Leaflet Description

This leaflet lists spare parts for type AAA21305BZ common mode filter used on the Global Control System.

### Leaflet Revisions

| Date Revised     | Subject Matter Expert | Reason for Revision |
|------------------|-----------------------|---------------------|
| January 27, 2010 | John Kleine           | New SPL             |
|                  |                       |                     |

### Related Drawings

| Drawing No. | Title                                  | Drawing No. | Title                            |
|-------------|--|-------------|----------------------------------|
| AAA21305BZ  | Common Mode Filter Assembly            | A__29000AK  | Low Cost Traction System Drawing |
| AAA27076DS  | Common Mode Filter Kit                 | ---         | ---                              |
| A__29000AJ  | GEN2 System Drawing for LD, ED & NGHR1 | ---         | ---                              |

### Related Documents

| Document ID       | Title   |
|-------------------|---|
| SPL 10-AAA21310AD | Gearless Variable Frequency Controller NSAA Global Control System |

### Subject Matter Expert

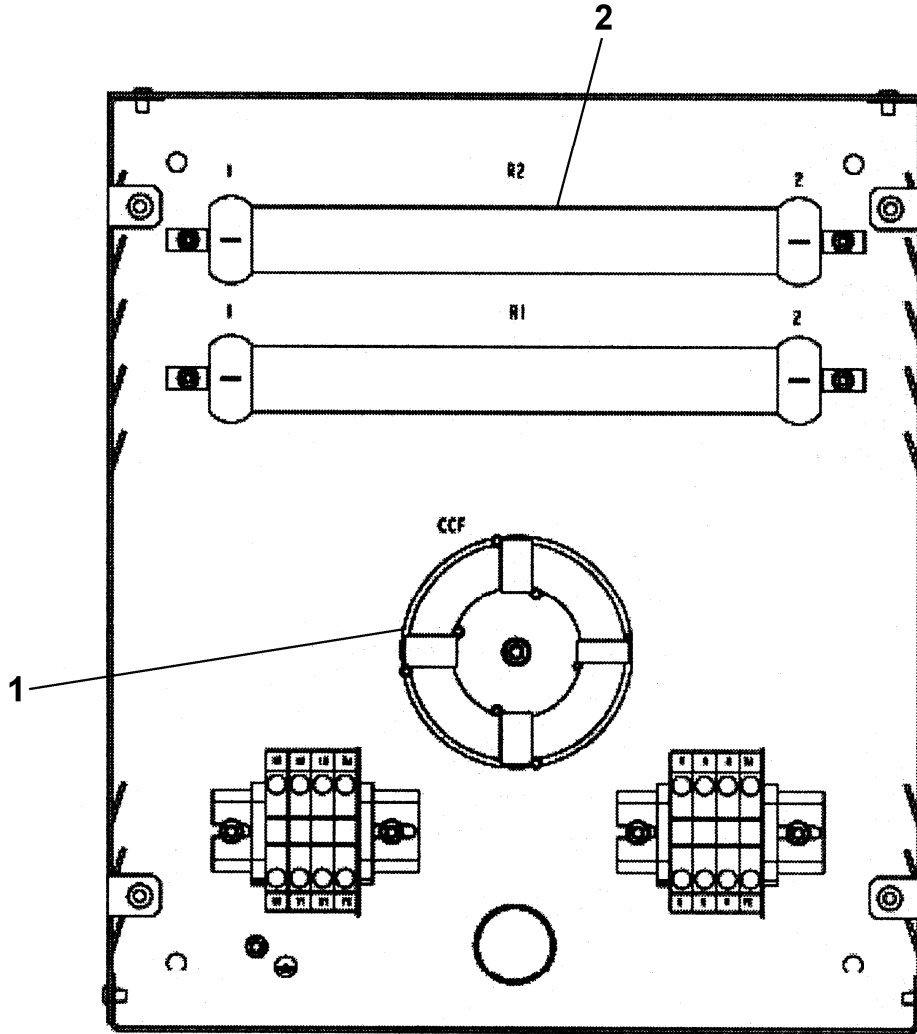
| Name        | Department                               |
|-------------|--|
| John Kleine | NSAA New Product Development, Farmington |

### About Spare Parts Leaflets...

This document lists the lowest replaceable units (LRUs) for the standard version of the product. The LRUs are chosen by a team of Otis associates representing engineering and manufacturing.

While goal of this document is to make parts identification as easy as possible, the document cannot be all-inclusive. Elevator and escalator contracts classified as "special" or "custom" are not addressed here. For such contracts, please refer to specified information, the contract folder, TIPs, Field Education Articles, Construction Letters, etc. for further information.

If you have any suggestions about this document, please contact the subject matter expert listed on this page.



| REF. No. | PART No.    |             |             | DESCRIPTION                             | QTY |
|----------|-------------|-------------|-------------|---|-----|
|          | AAA21305BZ1 | AAA21305BZ2 | AAA21305BZ3 |   |     |
| 1        | AAA234R18   | AAA234R18   | AAA234R18   | Coil                                    | 1   |
| 2        | AAA617K17   | AAA617K17   | ---         | Resistor, 200 ohm<br>Variable, 225 watt | 2   |
|          | ---         | ---         | AAA617K18   | Resistor, 300 ohm<br>Variable, 225 watt |     |

**NOTE:** Use with NAA application on 404 (40 A) and 406 (60 A) type regenerative drives.