

**Global Control System:
for Modernization
Controller Box**

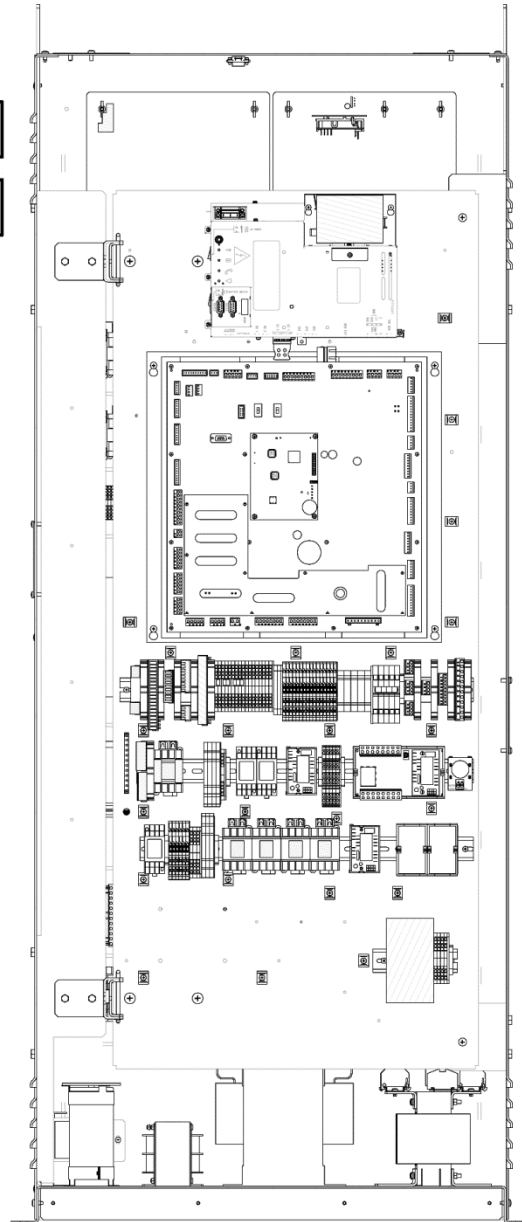
Spare Parts Leaflet

10-AAA21305CA

December 11, 2019 / Page 1 of 25

10 H - AAA21305CA

10 A - AAA21305CA



OTIS

This document does not contain any technical data subject to EAR or ITAR

SERVICE ENGINEERING

Otis Elevator Company

Bloomfield, Connecticut USA

Unpublished Work—© Otis Elevator Co.; 2019

Leaflet Description

This leaflet lists spare parts for type AAA21305CA global control system (RMH).

Leaflet Revisions

Date Revised	Subject Matter Expert	Reason for Revision
March 27, 2013	Christopher Koenig	New SPL
August 22, 2018	Christopher Koenig	Revised references 3 and 8 on p. 4; Added p/ns GAA648AV3 and AAA303EP140 on p. 5
December 11, 2019	Ali Bozorgzadeh	Added ribbon cable 174HT10 on p. 4

Related Drawings

Drawing No.	Title	Drawing No.	Title
AAA21305CA	NSAA RMH Controller		
AAA27076DY	BOM for RMH Controller	AAA21799L	Transformer Cabinet

Related Documents

Document ID	Title
SPL 10-KDA21310AAL	<i>Low Cost Regenerative Drives</i>
SPL 10-AAA21799M	<i>Power Transformer Box</i>

Subject Matter Expert

Name	Department
Christopher Koenig	OSC Engineering

About Spare Parts Leaflets...

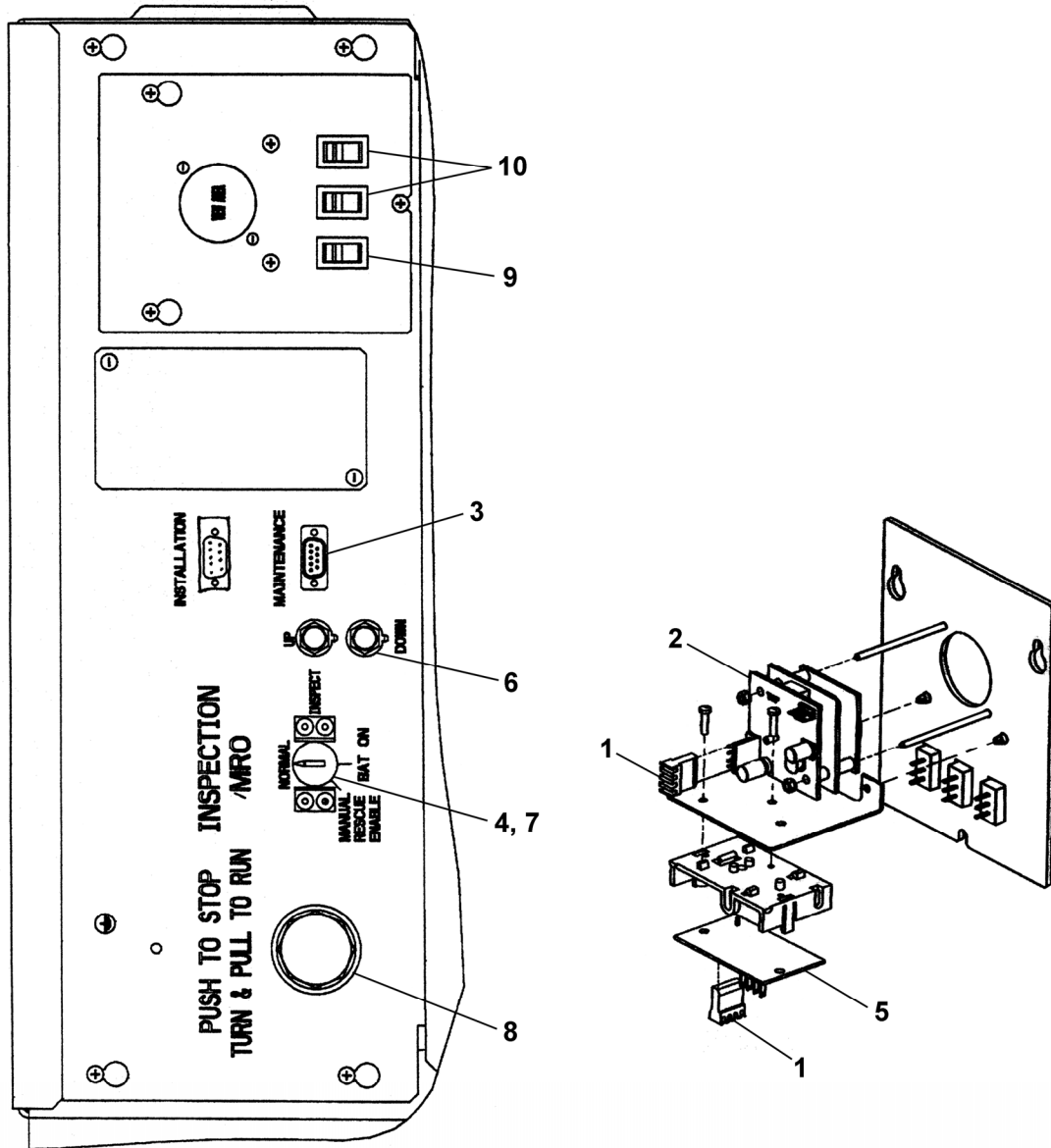
This document lists the lowest replaceable units (LRUs) for the standard version of the product. The LRUs are chosen by a team of Otis associates representing engineering and manufacturing.

While goal of this document is to make parts identification as easy as possible, the document cannot be all-inclusive. Elevator and escalator contracts classified as "special" or "custom" are not addressed here. For such contracts, please refer to specified information, the contract folder, TIPS, Field Education Articles, Construction Letters, etc. for further information.

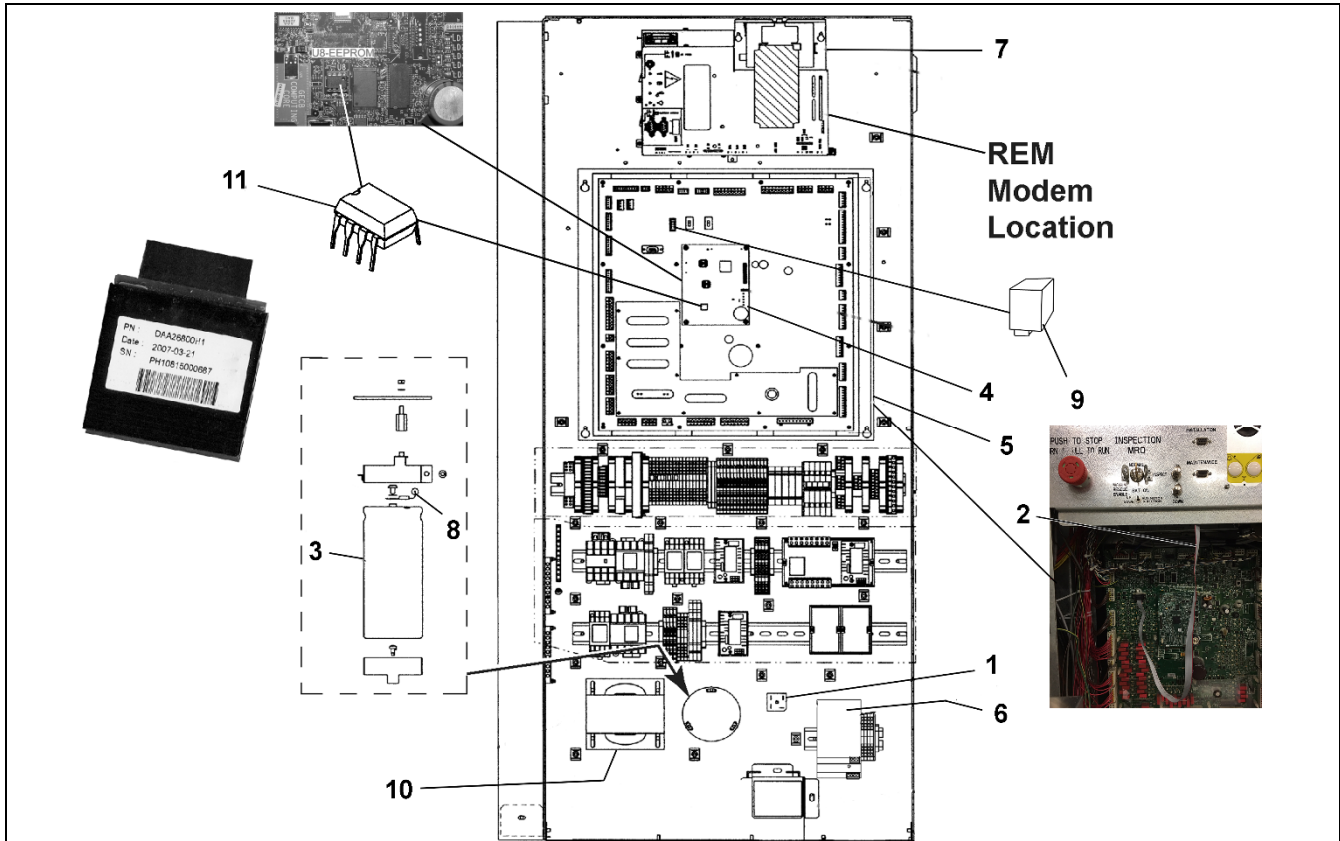
If you have any suggestions about this document, please contact the subject matter expert listed on this page.

Test Panel

10-AAA21305CA



AAA21305CA			
REF. No.	PART No.	DESCRIPTION	REMARKS
1	AAA447AC3	Connector, 4-Pole IDC	C4RS, P1
2	AAA25100C1	Display	PI
3	174HT7	Harness, Main Plug	
4	AAA431AF6	Lock, Key	---
5	GFA23550D10	Station, Remote, RS5	C4RS
6	AAA635L3	Switch, Pushbutton	CUIB, CDIB
7	ABA636A21	Switch, Rotary	CIS/MRO
8	JAA635ABT101	Switch, Stop	CES
9	AAA177EM4	Switch, Toggle	CCTL, CCBL
10	AAA177EM5	Switch, Toggle	DDOS, CHCS



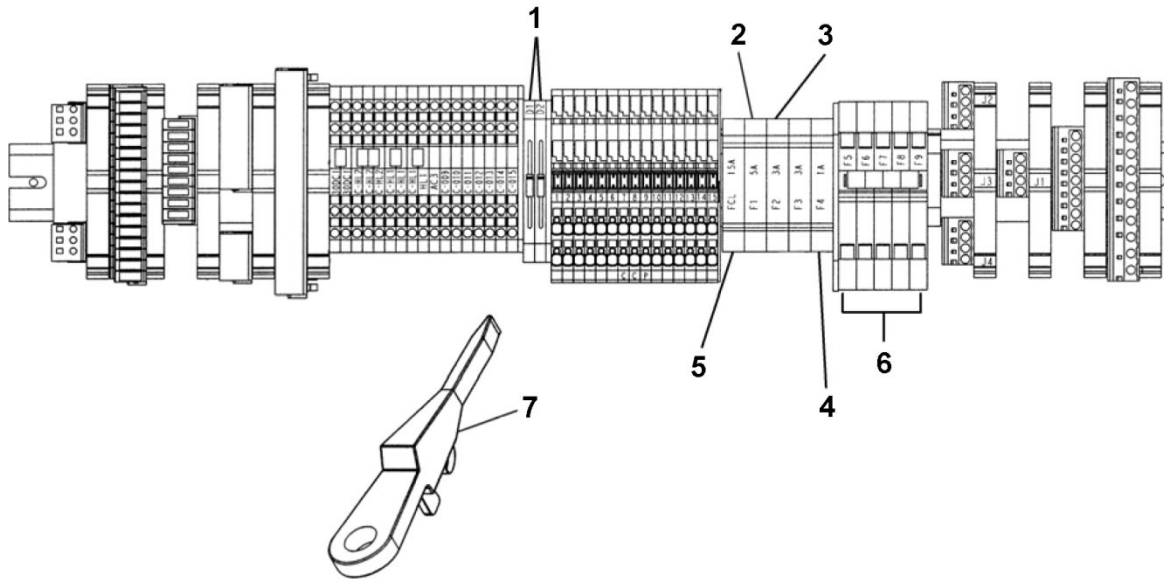
AAA21305CA		
REF. No.	PART No.	DESCRIPTION
1	230BS3	Bridge, Diode
2	174HT10	Cable, Ribbon (Maintenance)
3	226DR1	Capacitor (1400 uf, 450 VDC)
4	ADA26800AML4	PC Board, Micro Processor (v1)
	AEA26800AML4	
	ABA26800AVP1	PC Board, Micro Processor (v2)
5	ADA26800ANY1	PC Board, ANSI Input Output Board (w/CDBP & LDBP)
	AFA26800ANY1	
	AGA26800ANY1	
5	ADA26800ANY2	PC Board, ANSI Input Output Board (w/o CDBP & LDBP)
	AFA26800ANY2	
	AGA26800ANY2	
6	AAA621AT14	Power Supply, 24 VDC
7	AAA21700AA2	REM 5
*	AAA27076T1039	REM Modem with Line Share
8	AAA232GJ76	Resistor (10 kOhms, 5 W)
9	AAA31355AAH	Software (MCSS + OCSS) v1
	AP131355DAC	Software (MCSS + OCSS) v2 (see TIP 1.1.22.1-33 to upgrade v1 to v2)
10	AAA225MB1	Transformer (TRD), 120 V Primary, 93 V Secondary
11	AAA616NL15	U8, 256K Bit Serial EEPROM, Blank, see TIP 1.1.22.1-12

* Part not shown.

CAUTION: When swapping CPU board (Ref. 3), remember to remove 8-pin socketed EEPROM (U8) from the existing PCB or your E2P will be lost.

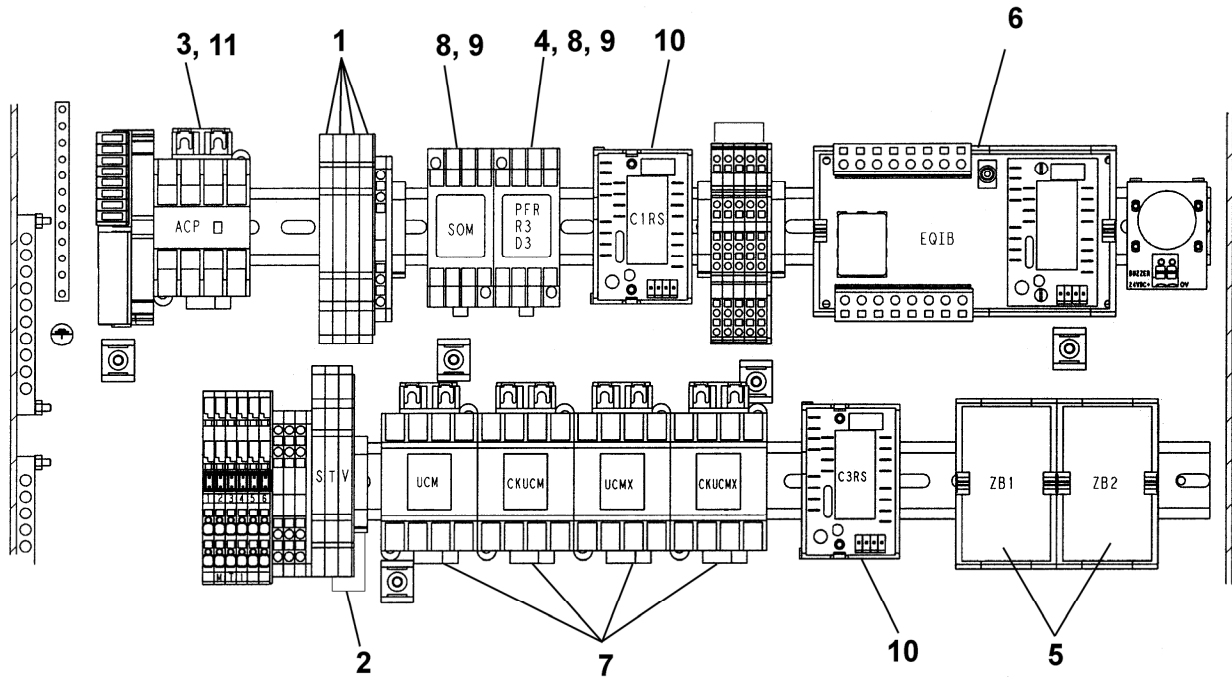
Swing Panel Terminal Blocks, Fuses

10-AAA21305CA



AAA21305CA			
REF. No.	PART No.	DESCRIPTION	REMARKS
1	AAA612AK1	Diode (REFK)	D1
	AAA612AK1	Diode (MTI)	D2
2	AAA375BT19	Fuse, 5 A, Fast Acting	F1
3	AAA375BR16	Fuse, 6-1/4 A	F2
4	AAA375BR6	Fuse, 1 A	F4
5	AAA375CJ5	Fuse, 15 A	FCL
6	AAA375C9	Fuse, ATC Type 5 A	F5, F6, F7, F8, F9
*	AAA303EP140	Plate, End	RGD
*	GAA648AV3	Terminal	RGD
7	AAA27EF11	Tool, Terminal Block Operating, 5 mm	
	AAA27EF16	Tool, Terminal Block Operating, 2.5 and 3.5 mm	

* Part not shown.

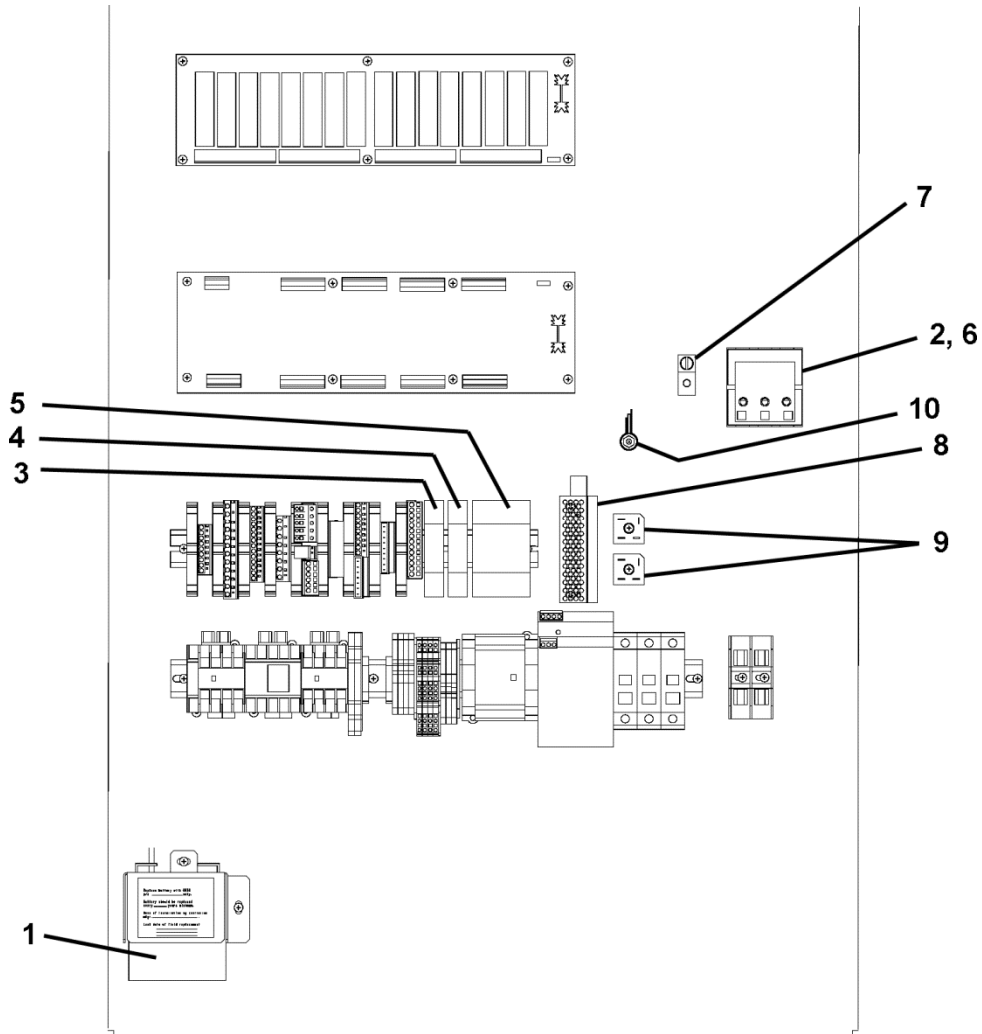


AAA21305CA

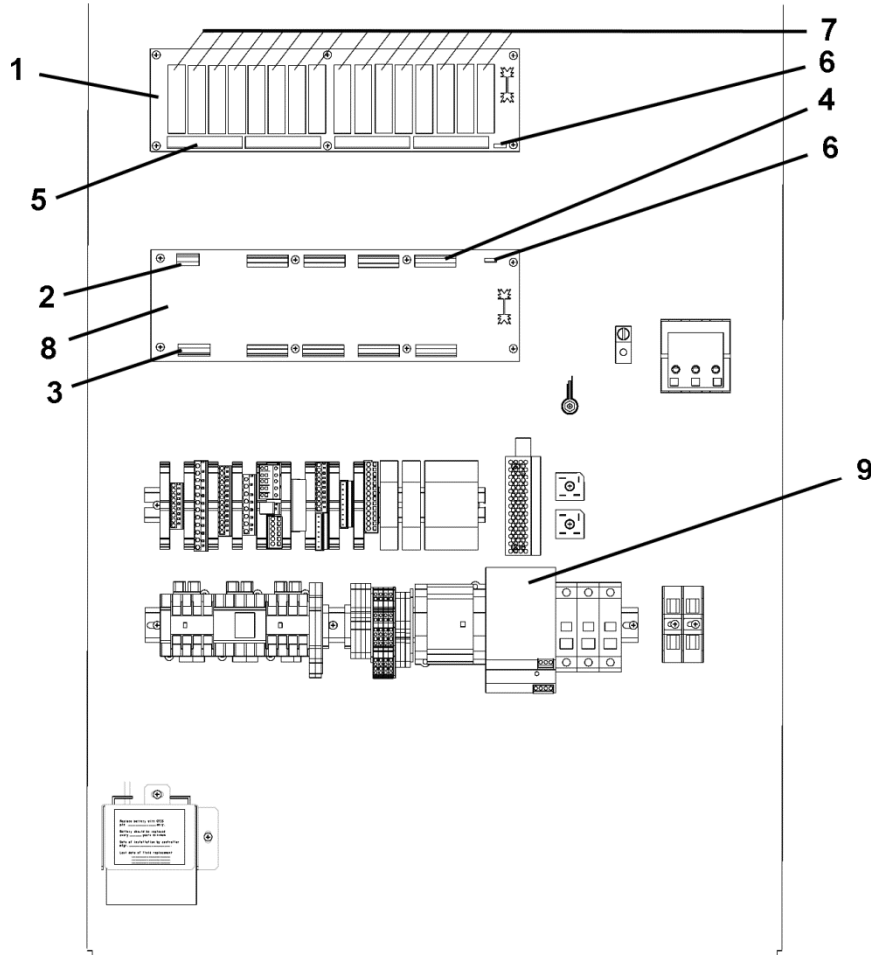
REF. No.	PART No.	DESCRIPTION	REMARKS
1	AAA303EP199	Block, Terminal, with Relay	R, U, P, Y
2	AAA303EP199	Block, Terminal, with Relay/ MTI	S, T, or V
3	AAA613DL72	Contact, Auxiliary (2NO, 2NC)	ACP
4	AAA612AF3	Diode	D2 or D3
5	AAA21380D1	Module, Filter (RSL)	ZB1, ZB2
6	ABB21380E3	Module, Earthquake	EQIB
7	AAA613DL31	Relay, 120 VAC Coil (2NO, 2NC)	UCM, CKUCM, UCMX, CKUMX
8	AAA613CZ8	Relay, Socket Mount, 24 VDC	PFR, or SOM
9	618AE2	Socket, Relay	PFR, or SOM
10	AAB26810A1	Station, Remote	C1RS
	AAB26810A1	Station, Remote (MTI)	C3RS
11	AAA613DL61	Suppressor	ACP

Lower Back Panel

10-AAA21305CA



AAA21305CA			
REF. No.	PART No.	DESCRIPTION	REMARKS
1	AAA718E3	Battery, 12 VDC	BAT1
2	303DH16	Block, Main Power Terminal	TBL
3	AAA00375AAF010	Circuit Breaker, 1-Pole	CB21
4	AAA00375AAF007	Circuit Breaker, 1-Pole	CB22
5	AAA00375AAJ006	Circuit Breaker, 3-Pole	CB23
6	AAA346BCD1	Cover, Terminal Block	
7	AAA190CM3	Lug, Grounding	PE
8	AAA621AN17 ACA26800QZ1	Power Supply	PS9VDC
9	230BS3	Rectifier	BRD1, BRD2
10	232B9	Resistor	BRES



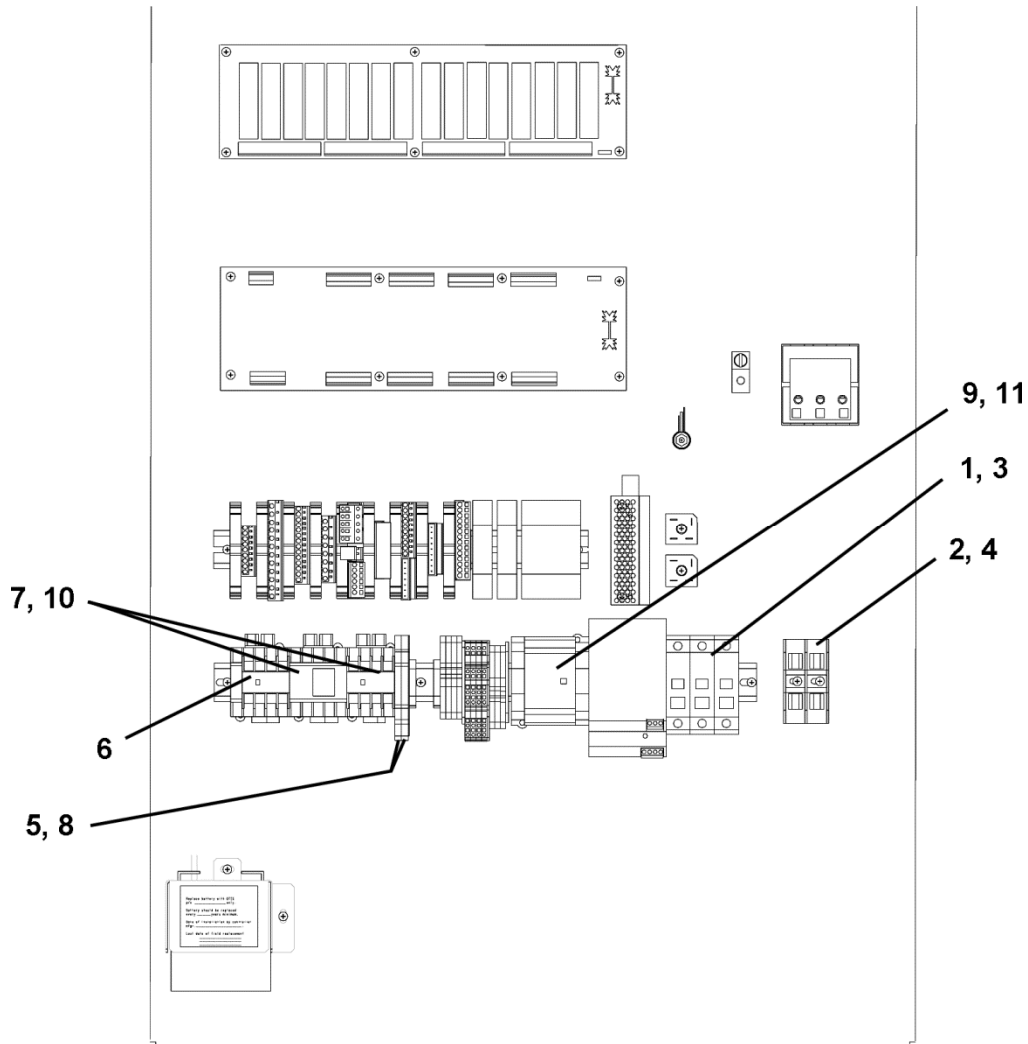
AAA21305CA

REF. No.	PART No.	DESCRIPTION	REMARKS
1	ABA26800ABV2	Board, HLIO	HLIO
2	AAA447X3	Connector, 4-position	MRSEB P11
3	AAA447X5	Connector, 6-position	MRSEB P10
4	AAA447X7	Connector, 8-position	MRSEB P1-P8
5	AAA447AD9	Connector, 10-position	1TB-4TB
6	AAA447AC3	Connector, IDC	MRSEB-P1, HLIO-P1
*	AAA27076CM7	Kit, Standoffs and Hardware	MRSEB
7	ABA26890A1	Module, IO (48V AC/DC)	HLIO
	ABA26890A2	Module, IO (150V AC/DC)	HLIO
8	AAA26800MT1	MRSEB	(includes connectors)
9	AAA621AT14	Power Supply, 24 VDC	PSS2

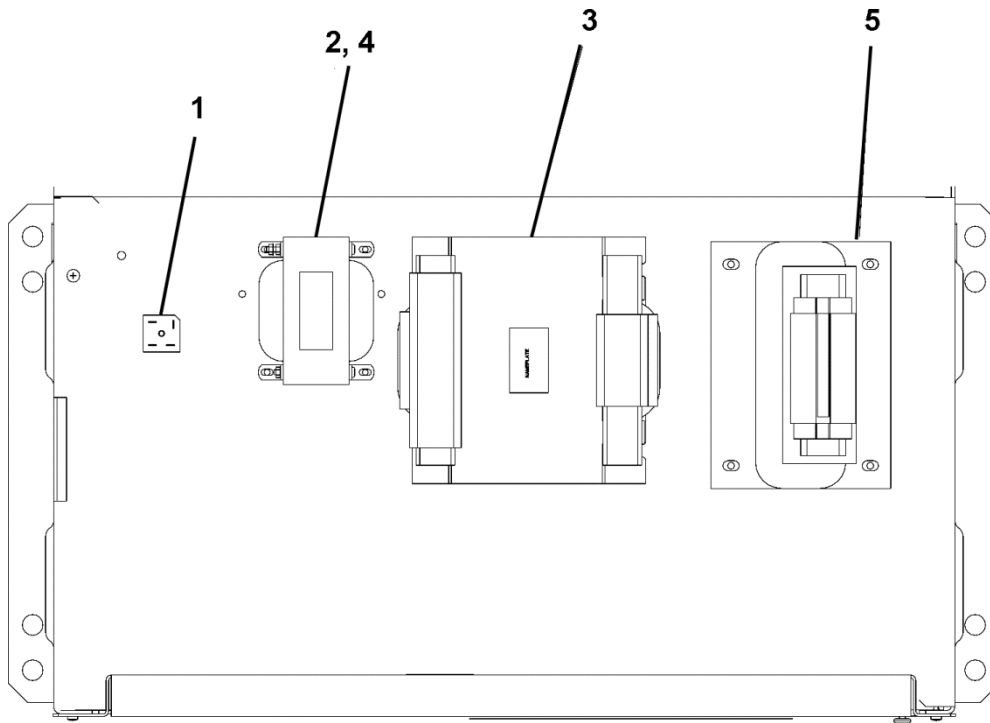
*Part not shown.

Lower Back Panel-Relays, Fuses

10-AAA21305CA



AAA21305CA			
REF. No.	PART No.	DESCRIPTION	REMARKS
1	AAA375BK21	Fuse, 2A	F10, F11, F12 (w/ type 6970A, 6970CL doors)
2	AAA375BK39	Fuse, 10A	FM (346-600 V Power Supply)
	AAA375BK41	Fuse, 15A	FM (208-240 V Power Supply)
3	AAA180DT1	Holder, Fuse	F10, F11, F12 (w/ type 6970A, 6970CL doors)
4	AAA653D1	Holder, Fuse	FM
5	GAA613HK2	Plate, End	Q, Z
6	AAA638AF15	Relay	UD
7	AAA613DL31	Relay	BH, C
8	AAA303EP199	Relay	Q, Z
9	AAA638J2	Relay	BP
10	AAA613DL61	Suppressor	BH, C
11	AAA00605AAA002	Suppressor	BP



AAA21305CA

REF. No.	PART No.	DESCRIPTION	REMARKS
1	230BS3	Bridge, Diode	BR1
2	AAA303EP206	Splice, Wire	TRD
3	AAA225MF2	Transformer 208–240 VAC Pri	TRM (0–240 V brake taps)
	AAA225MF7	Transformer 316–440 VAC Pri	
	AAA225MF1	Transformer 440–500 VAC Pri	
	AAA225MF3	Transformer 525–600 VAC Pri	
	AAA225MF5	Transformer 208–240 VAC Pri	TRM (0–120 V brake taps)
	AAA225MF8	Transformer 316–440 VAC Pri	
	AAA225MF4	Transformer 440–500 VAC Pri	
	AAA225MF6	Transformer 525–600 VAC Pri	
4	AAA225MB1	Transformer 120 VAC Pri	TRD (with QL, OVL, <i>i-motion</i> II, 6970REA,6970CLDO,Manual)
5	AAA225JR4	Transformer 208–240 VAC Pri	TRD-240
	AAA225JR5	Transformer 316–440 VAC Pri	
	AAA225JR6	Transformer 460–600 VAC Pri	
*	235F1	Transformer 208/220/240 VAC Pri	TRD-105 (with 6970REA, 6970CLDO)
	235F2	Transformer 380/418/460 VAC Pri	
	235F3	Transformer 550/575/600 VAC Pri	
	235F6	Transformer 440/460/480 VAC Pri	

*Part not shown.

GCS IO Board Connectors

10-AAA21305CA

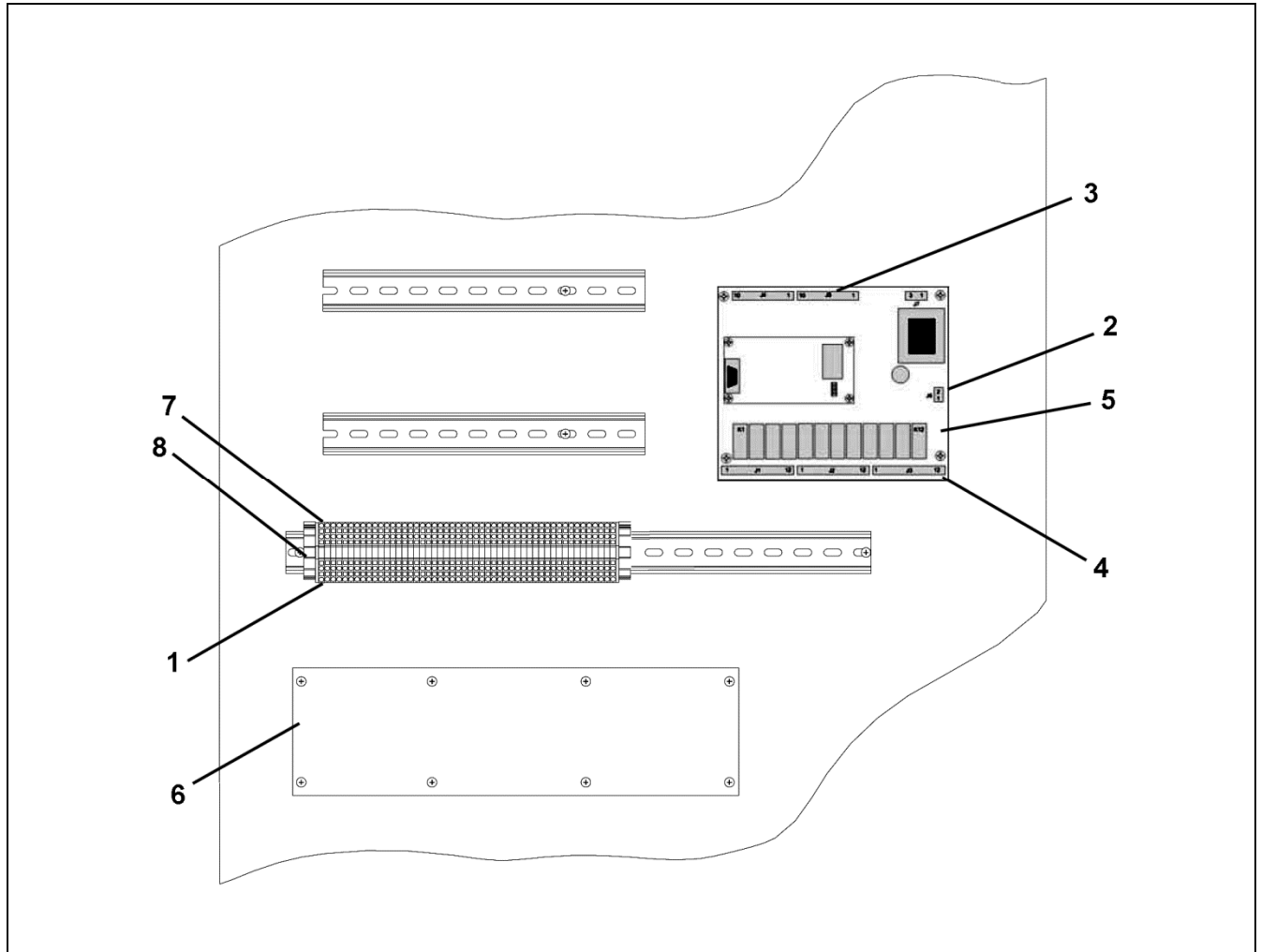
PLUG	PART No	TYPE	POSITION	PITCH
P1	AAA447AE13	AMP/IDC	12	0.156 in.
P2	AAA447AE8		7	0.156 in.
P3	AAA447AE9		8	0.156 in.
P4	AAA447AE11		10	0.156 in.
P5	AAA447AE4		4	0.156 in.
P6	Not Used		9	
P7	AAA447AE6		5	
P8	AAA447AE14		13	0.156 in.
P9	AAA447AE7		6	0.156 in.
P10A	AAA447BK1	WAGO	4	5 mm
P10B	AAA447BK2		4	5 mm
P11	AAA447BK3		9	5 mm
P12	AAA447BK4		9	5 mm
P13	Not Used	Shrouded	10	
P14	AAA447BK5	WAGO	4	3.5 mm
P15	AAA447BK6		5	5 mm
P16	AAA447BK7		3	3.5 mm
P17	AAA447BK72		10	3.5 mm
P18	AAA447BK8		5	3.5 mm
P19	AAA447BK9		7	3.5 mm
P20	AAA447BK10		8	3.5 mm
P21	AAA447BK11		10	3.5 mm
P22	AAA447BK12		10	5 mm
P23	AAA447BK73		2	5 mm
P24	AAA447BK13		6	5 mm
P25	AAA447BK14		6	5 mm
P26	AAA447BK15		5	5 mm
P27	AAA447BK16		5	5 mm
P28	AAA176HH51		4	5 mm
P29	AAA447BK18		2	7.5 mm
P30	AAA447BK19	8	5 mm	
P31	AAA447BK20	8	5 mm	
P32	AAA447BK21	10	5 mm	

**RMH Controller DIN Rail
Plug Terminals**

LOCATION	PLUG	HEADER	MTG. BASE	POSITION	PITCH
Swing Panel					
CLS	AAA447BK76	AAA176HH313	GAA648AT1	3	5.08 mm
RPP	AAA447BK77	AAA176HH313		3	5.08 mm
CRD1	AAA176HH95	AAA176HH317	GAA648AT1	9	5 mm
CRD2	AAA447AP256	AAA176HH58		4	5 mm
BO	AAA447BK84	AAA176HH340	GAA648AT1	20	5.08 mm
TCP1	AAA447BK74	AAA176HH61	GAA648AT1	20	5 mm
J1	AAA447AP256	AAA176HH58	GAA648AT1	4	5 mm
J2	X	AAA176HH58	GAA648AT1	4	5 mm
J3	X	AAA176HH58		4	5 mm
J4	X	AAA176HH58		4	5 mm
CB2	AAA176HH303	AAA176HH301		GAA648AT1	12
CB1	AAA176HH306	AAA176HH98	GAA648AT1	9	5 mm
MTI	AAA447BK83	AAA303EP216		6	
CCP	AAA447BK82			16	
Back Panel					
BC1	AAA176HH306	AAA176HH98	GAA648AT1	9	5 mm
BC2	AAA176HH303	AAA176HH301		12	7.5 mm
PVTAB	AAA447AP19	AAA176HH46	GAA648AT1	5	5 mm
PVTC	AAA447AP17			3	5 mm
BD1	AAA447AP379	AAA176HH327	GAA648AT1	14	5 mm
BD2	AAA176HH302	AAA176HH300		8	7.5 mm
BR1	AAA447AP355	AAA176HH318		7	7.5 mm
BM1	AAA176HH97	AAA176HH55		2	5 mm
NO1	AAA176HH62	AAA176HH60		10	5 mm
CO1	AAA176HH62		10	5 mm	
CT1	AAA447BE20	AAA176HH33		7	5 mm
ENC	AAA447AP379	AAA176HH327		14	5 mm
BS1	AAA447AP70	AAA176HH319		6	5 mm

Back Panel Common Door Parts

10-AAA21305CA



AAA21305CA			
REF. No.	PART No.	DESCRIPTION	REMARKS
1	AAA303EP1	Block, Terminal	TBX
2	AAA447AP66	Connector, 2-position	MDISS J6
*	AAA447X3	Connector, 4-position	MRSEB P11
*	AAA447X5	Connector, 6-position	MRSEB P10
*	AAA447X7	Connector, 8-position	MRSEB P1-P8
3	AAA447AP74	Connector, 10-position	MDISS J4, J5
4	AAA447AP76	Connector, 12-position	MDISS J1, J2, J3
*	AAA27076CM7	Kit, Standoffs and Hardware	MRSEB
*	AAA27076CM10	Kit, Standoffs and Hardware	MDISS
5	AAA21750F4	MDISS CPU and IO Board	MDISS
6	AAA26800MT1	MRSEB	Includes connectors
7	AAA303EP3	Plate, End	TBX
8	AAA303EP105	Stop, End	TBX

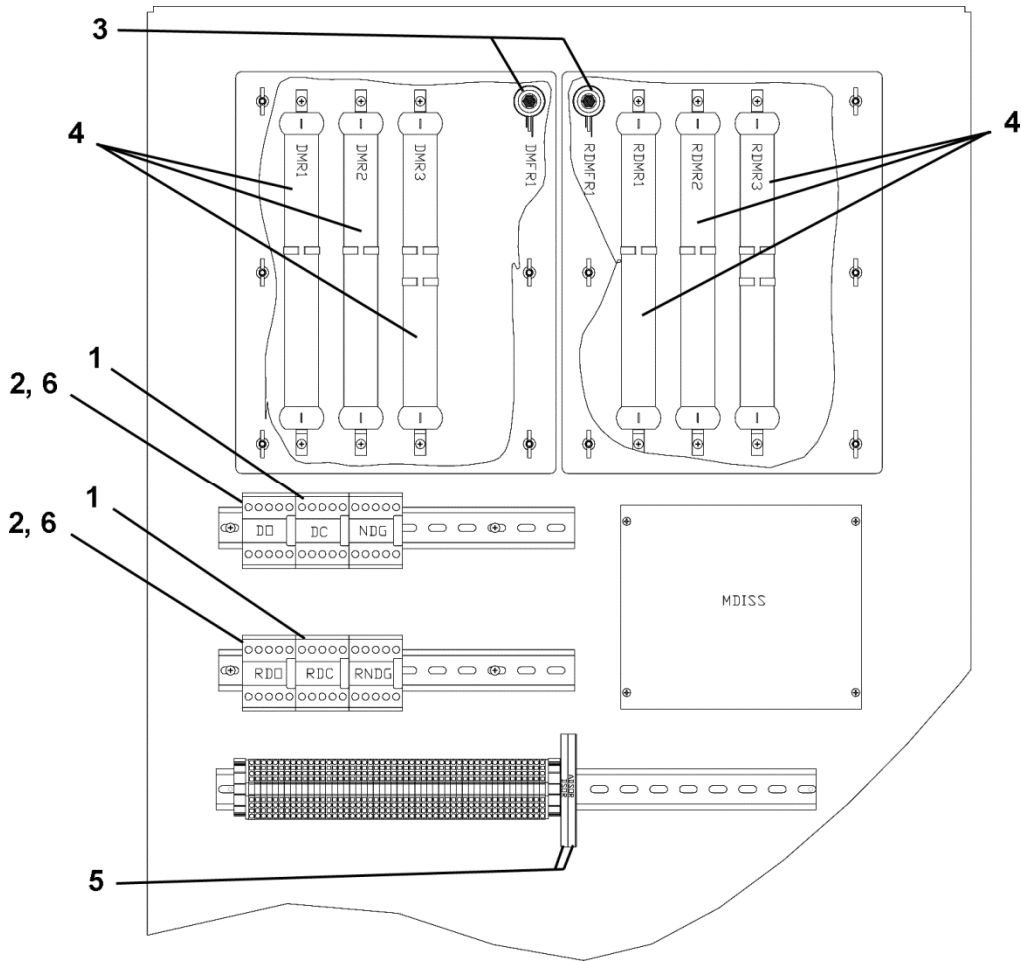
*Part not shown.

DOOR TYPE	DOOR OPERATOR MODEL	ACRONYM/CODE
1	Otis QL	DOX
2	Otis OVL discrete	DOY
11	Otis 6970A with new reactor	DOA-N
12	Otis 6970A with closed loop control	DOCL1
17	Manual doors with 120VDC retiring cam	DOM1
18	Otis Type "F" Freight	DOF
19	MAC PMSSC	DON1
22	GAL Type MOD	DOR
23	GAL Type MOM, MOH	DOS
26	ECI-1000	DON2
32	Courion Freight Doors	DOK
33	Manual Doors with 220VAC 3phase cam	DOM2
36	Otis <i>i-motion II</i> (serial/multi-drop)	DOI
38	Siemens AT-400	AT400
39	GAL type MOVFR	DOMOVFR
40	Otis NGPOK/Glide (with 2 motors)	NGPOK
41	Otis OVL with closed loop control	DOCL5
42	Peelle Freight Doors with PLC control	DOP3
43	MCE Smart Traq	DOMST
44	Glide A (1 small motor)	GLIDEA
45	Glide S (1 big motor)	GLIDES
46	GAL MODG and MODCT	DOMODG
47	Peelle Wireless Freight Doors	DOPW
48	EMS Freight Doors	DOEMSF
49	Manual doors with 120VAC retiring cam	DOM3
50	<i>i-motion II</i> discrete	DOI
99	None	XX

Reference only. Chart includes door operators not supported by base controller.

Back Panel Door Parts (QL)

10-AAA21305CA

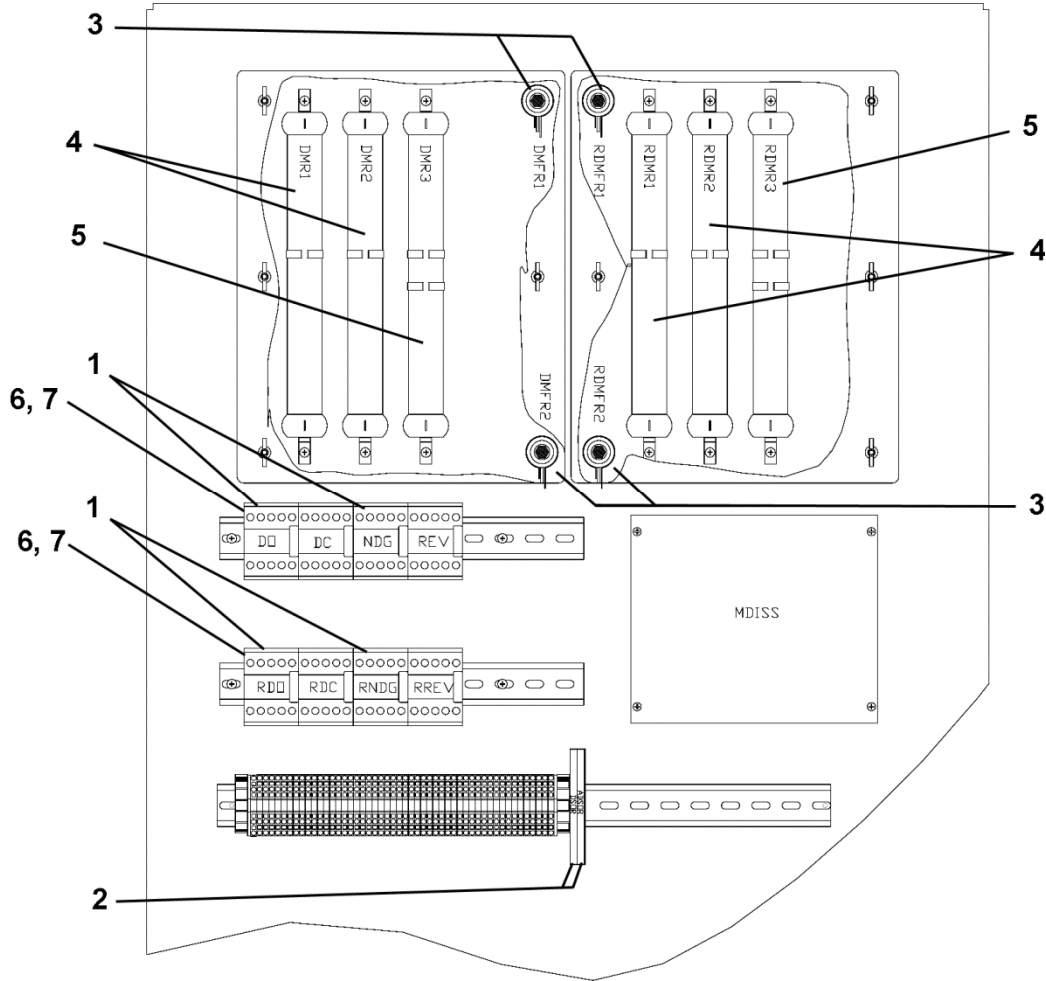


AAA21305CA			
REF. No.	PART No.	DESCRIPTION	REMARKS
1	AAA613CV106	Block, Auxiliary (2 NO, 2 NC)	(R)DC
*	226DR1	Capacitor (1400 uF)	C1
2	AAA638B102	Relay (120 VAC, 3 NO, 3 NC)	(R)DO, (R)DC, (R)NDG
3	232B8 232B207	Resistor (75 ohm, 30 W)	(R)DMFR1, (R)DMFR2
4	AAA617K8	Resistor (50 ohm, 225 W)	(R)DMR1, (R)DMR2, (R)DMR3
5	AA303EP199	Relay (30 VDC)	(A)DSOR
*	AAA232GJ76	Resistor (10 kohm, 5 W)	R1
6	AAA613CX705	Suppressor, Coil	(R)DO, (R)DC, (R)NDG

* These parts are located on the floor of the controller cabinet.

10-AAA21305CA

Back Panel- Door Parts (OVL)

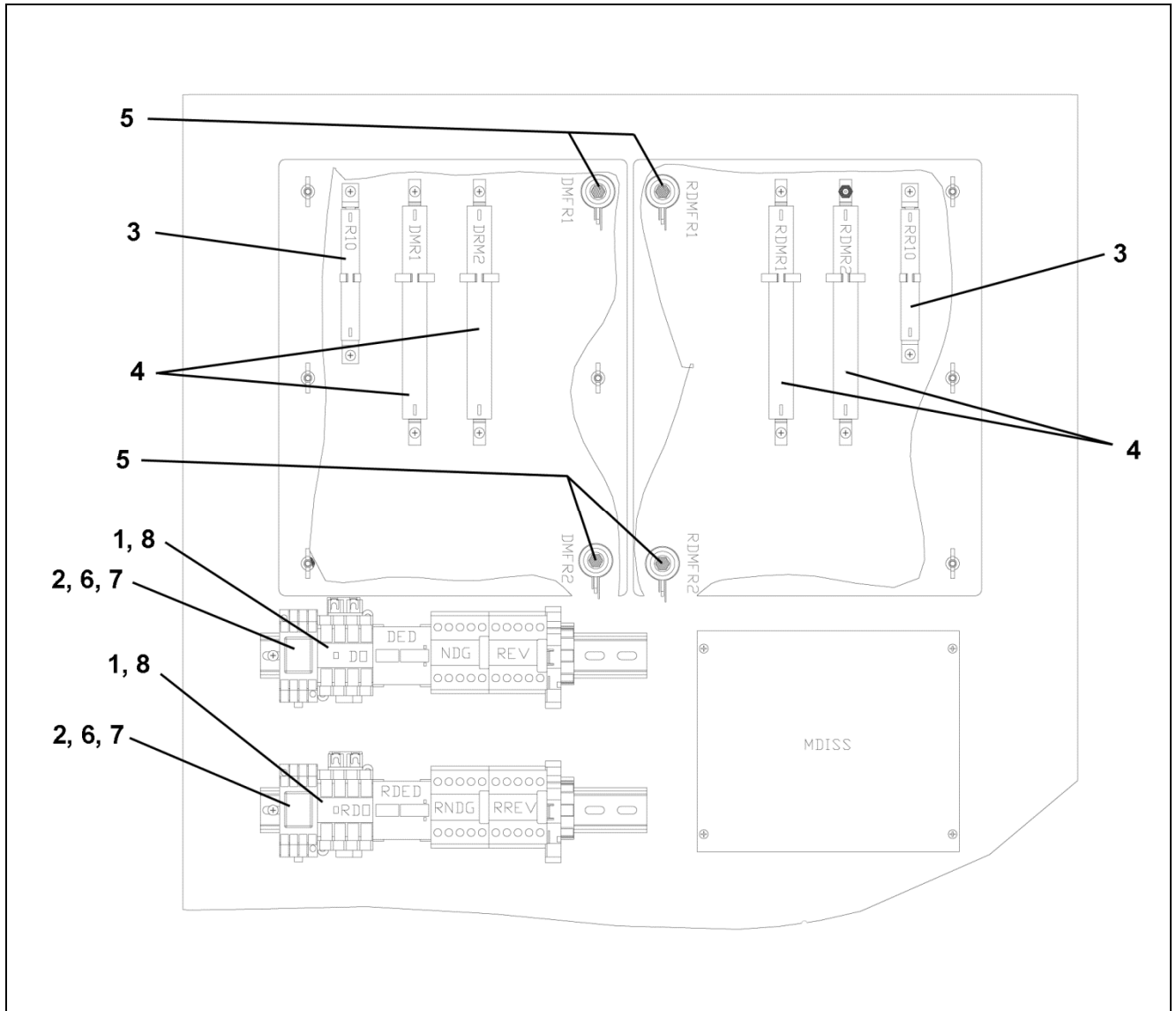


AAA21305CA			
REF. No.	PART No.	DESCRIPTION	REMARKS
1	AAA613CV102	Block, Auxiliary (3NO, 1NC)	(R)DO, (R)NDG
*	226DR1	Capacitor (1400 uF)	C1
2	AA303EP199	Relay (30 VDC)	(A)DSOR
3	232B8	Resistor (75 ohm, 30 W)	(R)DMFR1, (R)DMFR2
4	AAA617K10	Resistor (250 ohm, 225 W)	(R)DMR1, (R)DMR2
5	AAA617K18	Resistor (300 ohm, 225 W)	(R)DMR3
6	AAA638B102	Relay (120 VAC, 3NO, 3NC)	(R)DO, (R)DC, (R)NDG, (R)REV
*	AAA232GJ76	Resistor (10kohm, 5W)	R1
7	AAA613CX705	Suppressor, Coil	(R)DO, (R)DC, (R)NDG, (R)REV

* These parts are located on the floor of the controller cabinet.

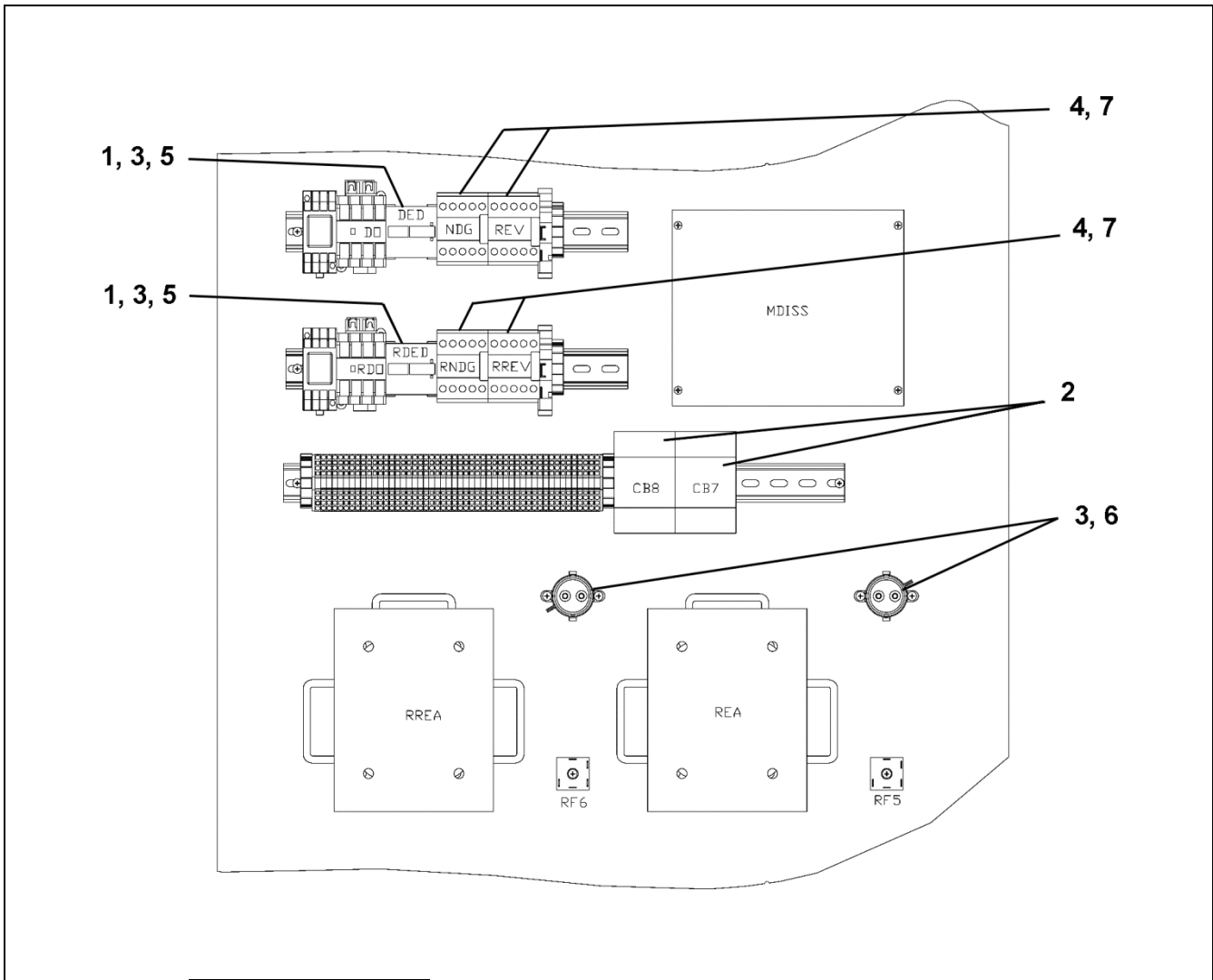
Back Panel-Door Parts (6970A)

10-AAA21305CA



AAA21305CA

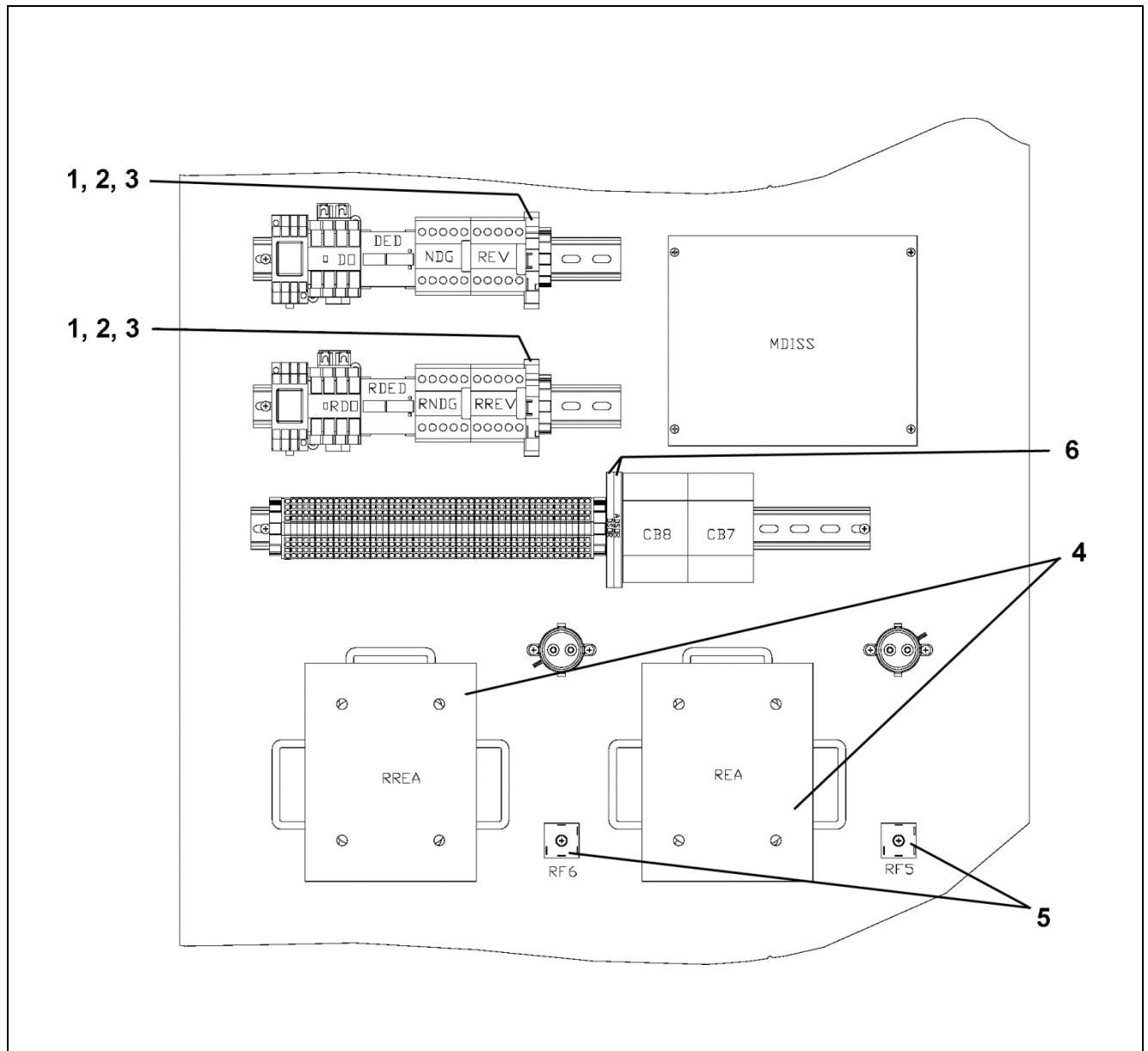
REF. No.	PART No.	DESCRIPTION	REMARKS
1	AAA613DL21	Relay (120 VAC, 5NO, 3NC)	(R)DO
2	AAA613CZ9	Relay (120 VAC, Ice Cube)	(R)DC
3	AAA617H8	Resistor (20ohm, 50W)	(R)R10
4	AAA617L9	Resistor (50ohm, 100W)	(R)DMR1, (R)DMR2
5	232B15	Resistor (500ohm, 30W)	(R)DMFR1, (R)DMFR2
6	618AE2	Socket, Relay	(R)DC
7	AAA00605AAA014	Suppressor	(R)DC
8	AAA613DL61	Suppressor	(R)DO



AAA21305CA

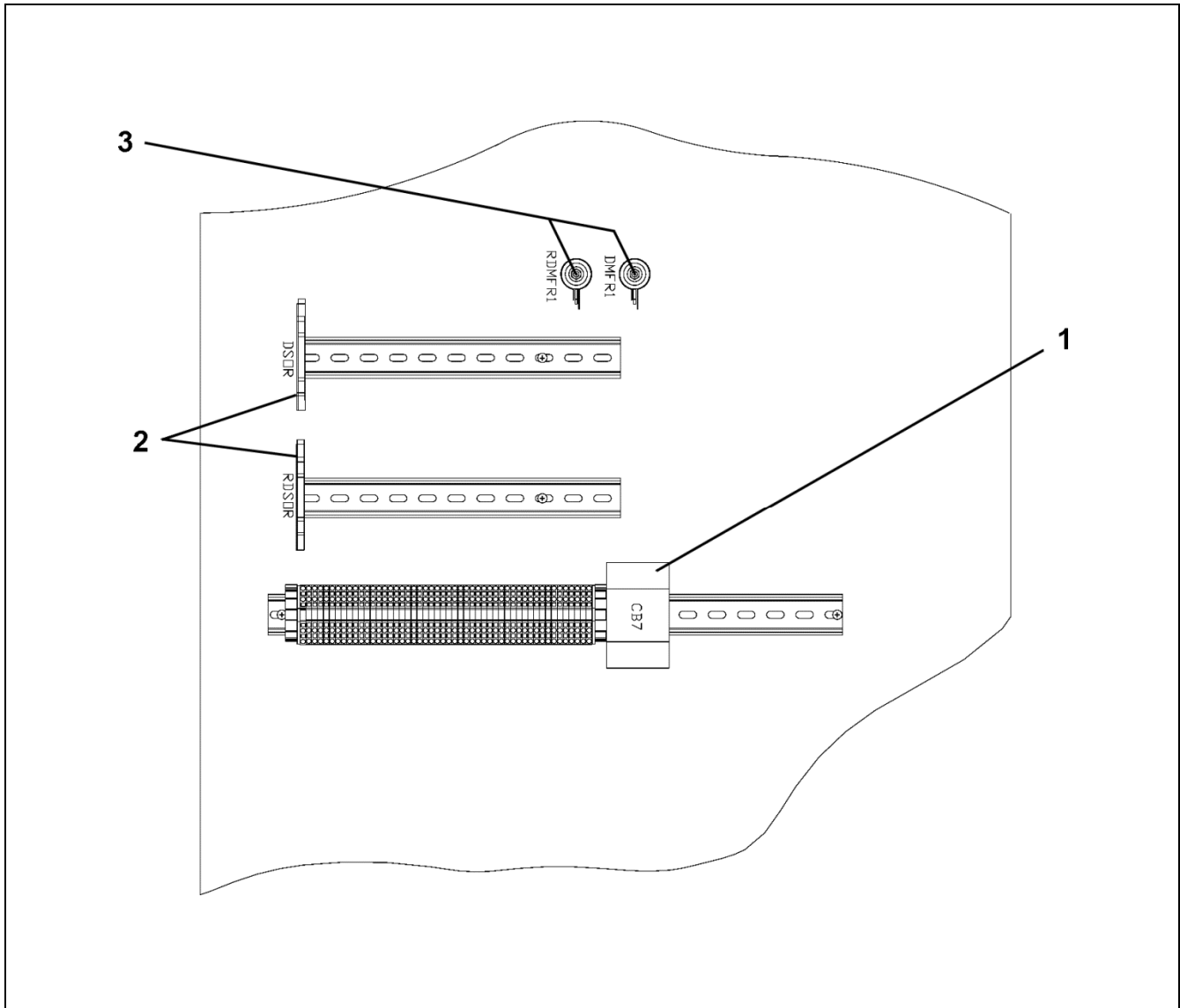
REF. No.	PART No.	DESCRIPTION	REMARKS
1	AAA613CX607	Block, Auxiliary	(R)DED
2	AAA00375AAJ006	Breaker, Circuit (4A, 3ph)	CB7, CB8
3	226DR2	Capacitor (340uF)	C10, CC10
*	226DR1	Capacitor (1400uF)	C1
4	AAA638B102	Relay (120 VAC, 3NO,1NC)	(R)NDG, (R)REV
5	AAA613CX506	Relay (120 VAC, 2NO, 2NC)	(R)DED
6	AAA232GJ76	Resistor (10kohm, 5W)	R1
7	AAA613CX705	Suppressor, Coil	(R)NDG, (R)REV, (R)DED

* These parts are located on the floor of the controller cabinet.



AAA21305CA			
REF. No.	PART No.	DESCRIPTION	REMARKS
1	AAA653E3	Block, Fuse	F30, F31
2	AAA375BR12	Fuse (3A)	F30, F31
3	AAA653E100	Plate, End	F30, F31
4	A7011A3	Reactor, Saturable	(R)REA
5	AAA612AJ1	Rectifier, 3-Phase	RF5, RF6
6	AAA303EP199	Relay (30 VDC)	(A)DSOR

**Back Panel-Door Parts
(6970CL, OVLCL)**



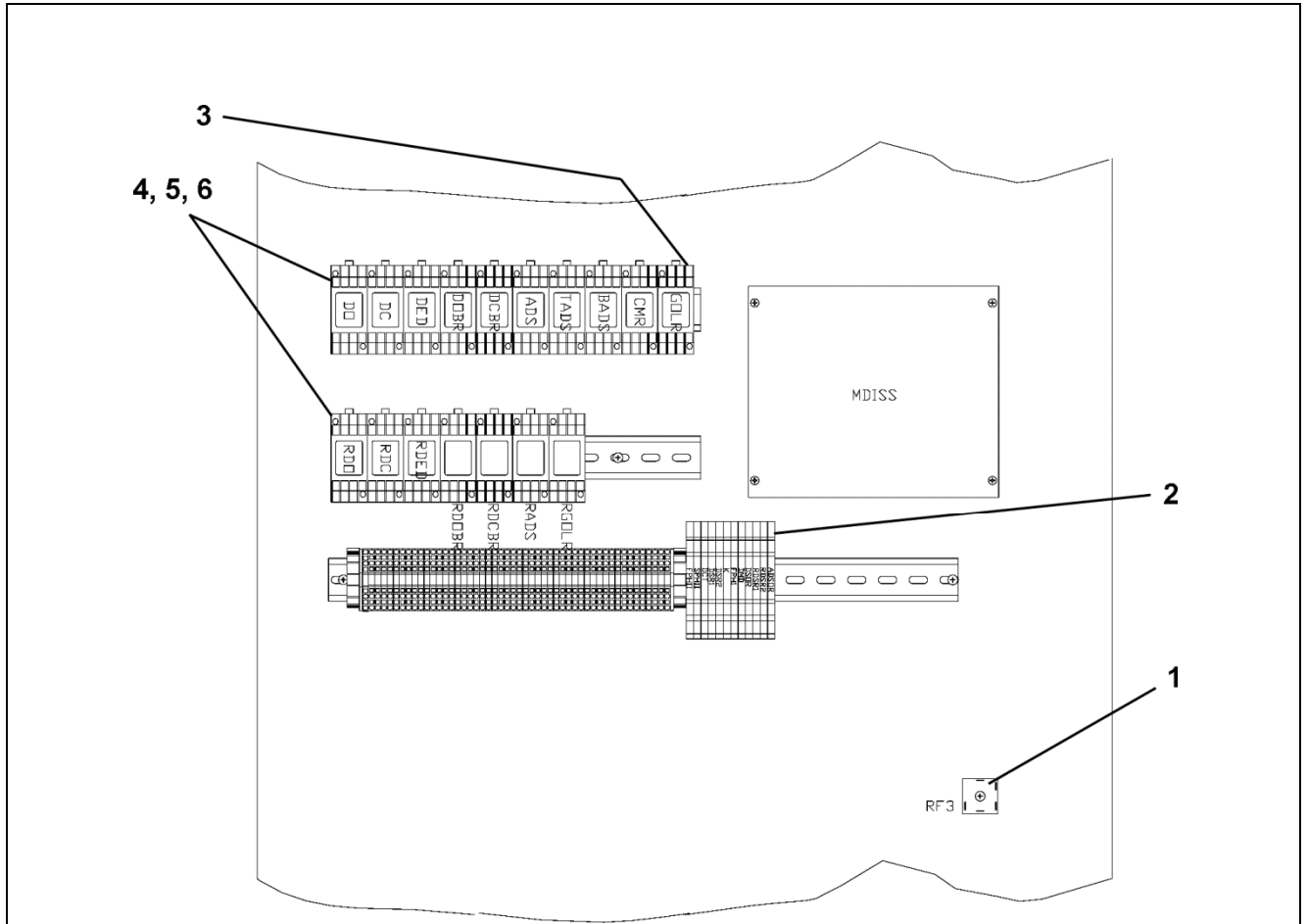
AAA21305CA

REF. No.	PART No.	DESCRIPTION	REMARKS
1	AAA00375AAJ006	Breaker, Circuit (4A, 3ph)	CB7, CB8
*	226DR1	Capacitor (1400uF)	C1
2	AAA303EP199	Relay (30VDC)	(A)DSOR
*	AAA232GJ76	Resistor (10kohm, 5W)	R1
3	232B8	Resistor (75ohm, 30W)	(R)DMFR1
*	AAA131DP1	Washer, Centering	R1

* These parts are located on the floor of the controller cabinet.

Back Panel-Door Parts (Type-F)

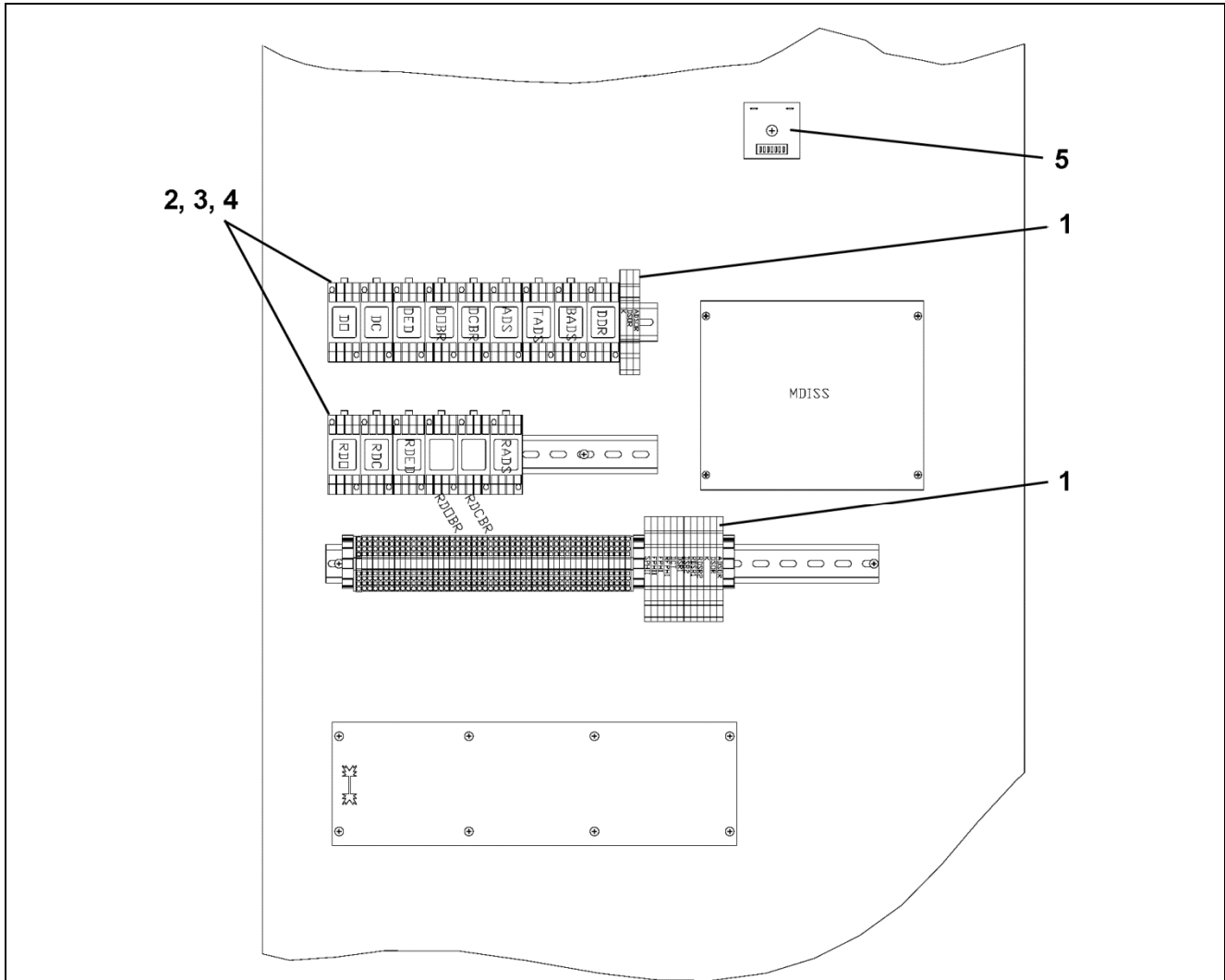
10-AAA21305CA



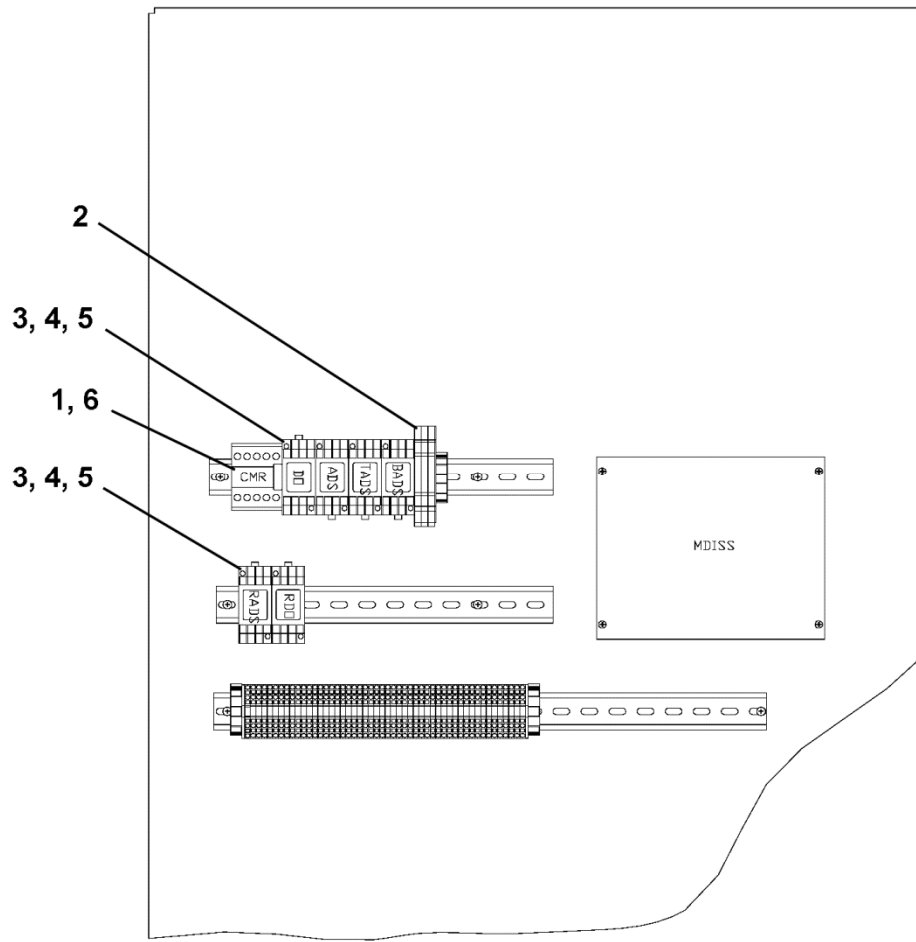
AAA21305CA			
REF. No.	PART No.	DESCRIPTION	REMARKS
1	AAA612AJ1	Bridge, Diode	RF3
2	AAA303EP199	Relay (30 VDC)	FPHII, SPHII, DCT, (R)DSR1, (R)DSR2, K, FPH1, DMD, (A)DSOR
3	AAA613CZ12	Relay (110 VDC)	(R)GOLR
4	AAA613CZ9	Relay (120 VAC, Ice Cube)	ADS, TADS, BADS, RADS, (R)DO, (R)DC, (R)DED, CMR, (R)DOBR, (R)DCBR
5	618AE2	Socket, Relay	(R)GOLR
6	AAA00605AAA014	Suppressor	ADS, TADS, BADS, RADS, (R)DO, (R)DC, (R)DED, CMR, (R)DOBR, (R)DCBR
*	AAA623AA1	Timer	T1

*Part not shown.

**Back Panel-Door Parts
(Peelle, EMS, Courion)**



AAA21305CA			
REF. No.	PART No.	DESCRIPTION	REMARKS
1	AAA303EP199	Relay (30 VDC)	(R)DSR1, (R)DSR2, DCT, CMR, FPHII, SPHII, (A)DSOR, K, DSOR, ADSOR
2	AAA613CZ9	Relay (120 VAC, Ice Cube)	ADS, TADS, BADS, RADS, (R)DO, (R)DC, (R)DED, (R)DOBR, (R)DCBR, DDR
3	618AE2	Socket, Relay	ADS, TADS, BADS, RADS, (R)DO, (R)DC, (R)DED, (R)DOBR, (R)DCBR, DDR
4	AAA00605AAA014	Suppressor	ADS, TADS, BADS, RADS, (R)DO, (R)DC, (R)DED, (R)DOBR, (R)DCBR, DDR
5	AAA623AA1	Timer	T1



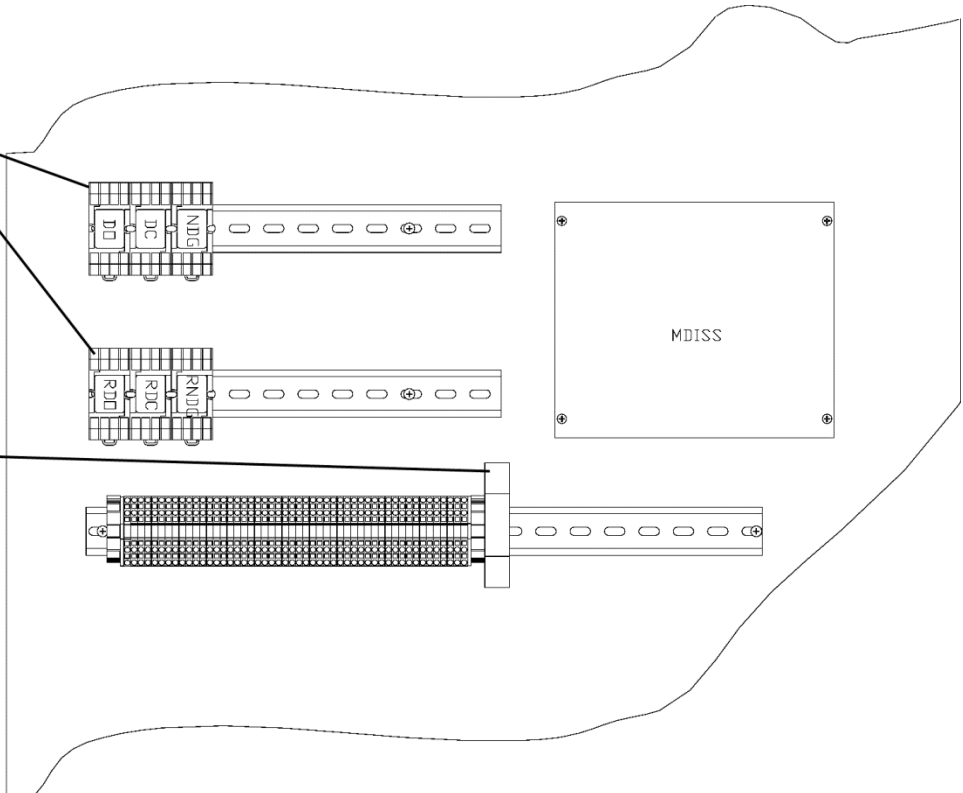
AAA21305CA			
REF. No.	PART No.	DESCRIPTION	REMARKS
*	226DR1	Capacitor (1400uF)	C1
1	AAA638B102	Contactora (120 VAC)	CMR
2	AAA303EP199	Relay (30 VDC)	K, DSOR, ADSOR
3	AAA613CZ9	Relay (120 VAC, Ice Cube)	ADS, TADS, BADS, RADS
*	AAA232GJ76	Resistor (10kohm, 5W)	R1
4	618AE2	Socket, Relay	ADS, TADS, BADS, RADS
5	AAA00605AAA014	Suppressor	ADS, TADS, BADS, RADS
6	AAA613CX705	Suppressor	CMR

*Part not shown.

**Back Panel-Door Parts
(MOVFR, MAC, ECI, SmarTraq)**

2, 3, 4

1

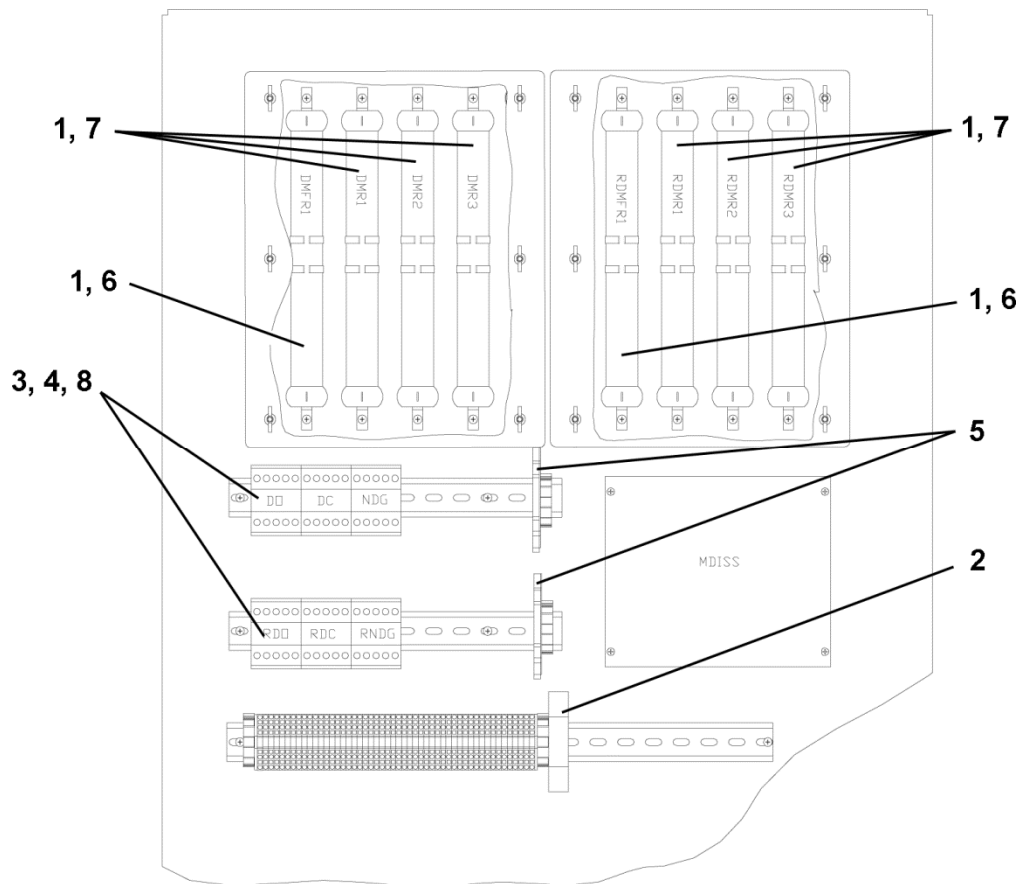


AAA21305CA

REF. No.	PART No.	DESCRIPTION	REMARKS
1	AAA00375AAF006	Breaker, Circuit	CB10 (with MOVFR only)
2	AAA613CZ9	Relay (120 VAC, Ice Cube)	ADS, TADS, BADS, RADS, (R)DO, (R)DC, (R)DED, (R)DOBR, (R)DCBR, DDR
3	618AE2	Socket, Relay	ADS, TADS, BADS, RADS, (R)DO, (R)DC, (R)DED, (R)DOBR, (R)DCBR, DDR
4	AAA00605AAA014	Suppressor	ADS, TADS, BADS, RADS, (R)DO, (R)DC, (R)DED, (R)DOBR, (R)DCBR, DDR

Back Panel-Door Parts (GAL-MOM, MOD, MOH)

10-AAA21305CA



AAA21305CA			
REF. No.	PART No.	DESCRIPTION	REMARKS
1	AAA617K102	Band, Resistor Adjustment *	(R)DMR1, (R)DMR1, (R)DMR3
2	AAA00375AAF006	Breaker, Circuit (6A)	CB10
*	226DR1	Capacitor (1400uF)	C1
3	AAA613CV102	Contact, Auxiliary	(R)DO, (R)DC
4	AAA638B102	Relay	(R)DO, (R)DC, (R)NDG
5	AAA303EP199	Relay (30 VDC)	K, DSOR, ADSOR
6	AAA617K12	Resistor **	(R)DMFR1
7	AAA617K10	Resistor **	(R)DMR1, (R)DMR1, (R)DMR3
*	AAA232GJ84	Resistor (50kohm, 5W)	R1
8	AAA613CX705	Suppressor	(R)DO, (R)DC, (R)NDG

* Part not shown.

** Not used with GAL-MOM or MOH door operator.