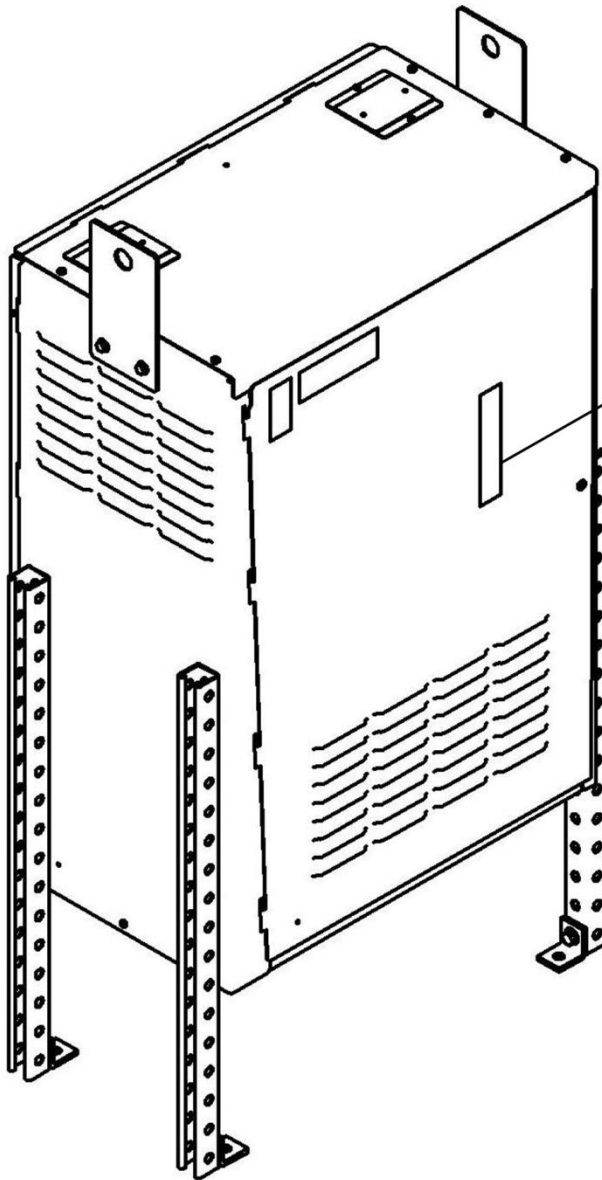


**Elevonic® R-Series DSD-412
Drive Cabinet**

Spare Parts Leaflet

10-AAA21305CG

January 27, 2021 / Page 1 of 6



10 H - AAA21305CG

OTIS

This document does not contain any
technical data subject to EAR or ITAR

**SERVICE ENGINEERING
Otis Elevator Company
Bloomfield, Connecticut USA**

Unpublished Work—©Otis Elevator Co.; 2021

10-AAA21305CG

History

Leaflet Description

This leaflet lists spare parts for type AAA21305CG regenerative DC-SCR drives used as part of the Elevonic® R-Series control system.

Leaflet Revisions

Date Revised	Subject Matter Expert	Reason for Revision
May 4, 2011	Chris Koenig	New SPL
January 27, 2021	Chris Koenig	Update to current production

Related Drawings

Drawing No.	Title	Drawing No.	Title
AAA21305CG	GCSM, DSD412 Drive Assembly		
AAA27076EA ABA27076EA	Material List		

Related Documents

Document ID	Title

Subject Matter Expert

Name	Department
Chris Koenig	New Product Development, OSC

About Spare Parts Leaflets...

This document lists the lowest replaceable units (LRUs) for the standard version of the product. The LRUs are chosen by a team of Otis associates representing engineering and manufacturing.

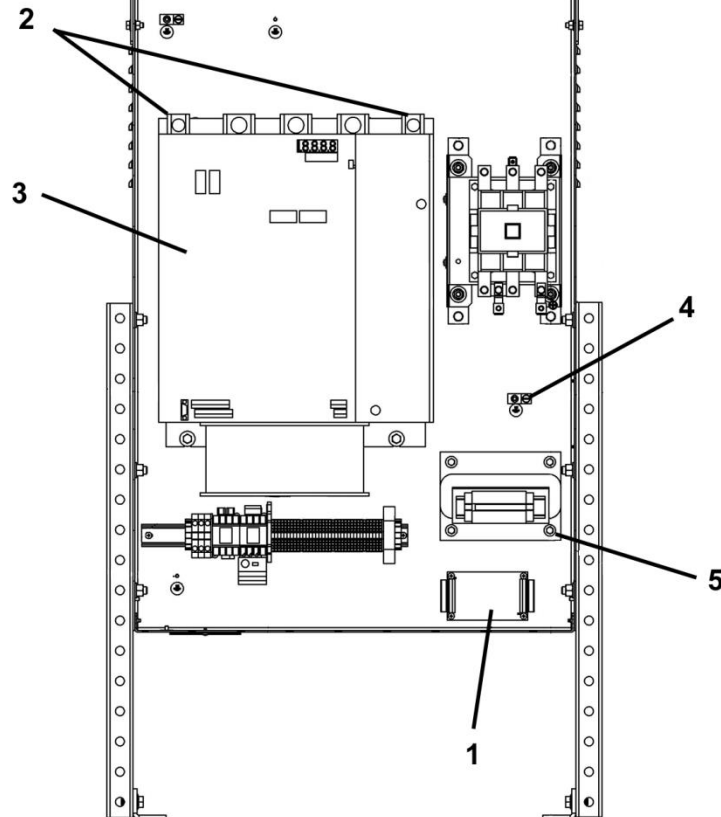
While goal of this document is to make parts identification as easy as possible, the document cannot be all-inclusive. Elevator and escalator contracts classified as "special" or "custom" are not addressed here. For such contracts, please refer to specified information, the contract folder, TIPs, Field Education Articles, Construction Letters, etc. for further information.

If you have any suggestions about this document, please contact the subject matter expert listed on this page.

Elevonic® R-Series DSD-412 Drive

Drive, Transformer

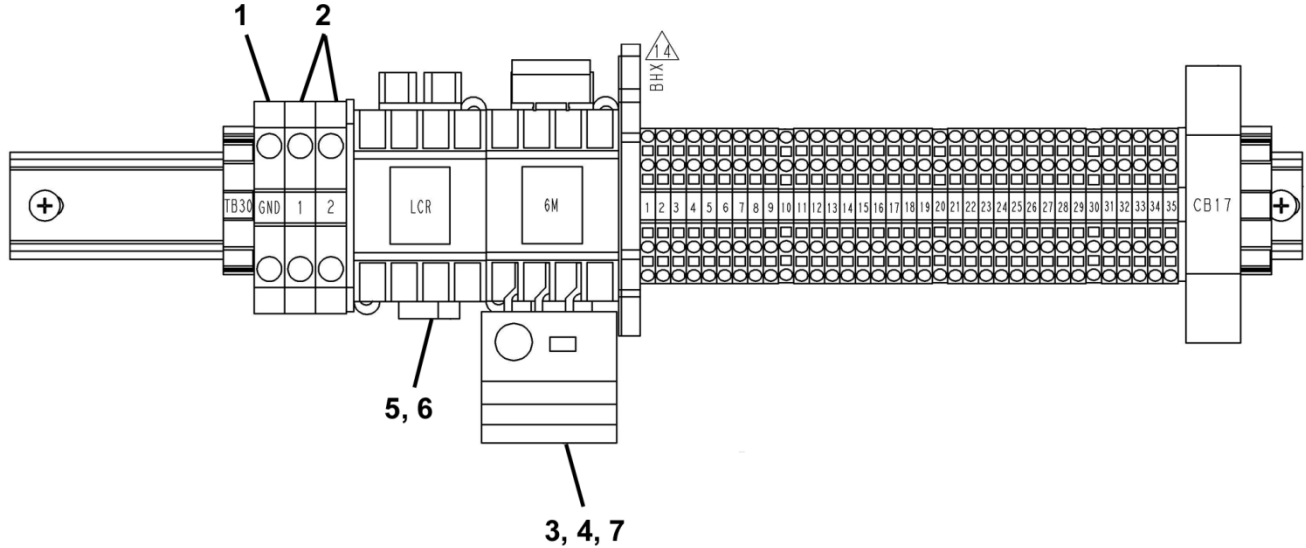
10-AAA21305CG



AAA21305CG			
REF. No.	PART No.	DESCRIPTION	SYMBOL
1	ABA26800QZ1	Board, PVT Buffer	PVTBB
2	AAA129EL4	Boot, Insulating, 100 A, 190 A Drive	Drive Lugs
	AAA129EL7	Boot, Insulating, 300 A Drive	
3	AAA21255J14	Drive, DSD-412, 100 A	DSD-412 (See SPL 10-AAA21255J)
	AAA21255J15	Drive, DSD-412, 190 A	
	AAA21255J16	Drive, DSD-412, 300 A	
4	AAA190CM3	Lug, Terminal	PE
5	AAA225JR4	Transformer, 208–240 VAC Primary	BLMTRF
	AAA225JR5	Transformer, 346–416 VAC Primary	
	AAA225JR6	Transformer, 440–600 VAC Primary	

10-AAA21305CG

Elevonic® R-Series DSD-412 Drive Relays and Terminals

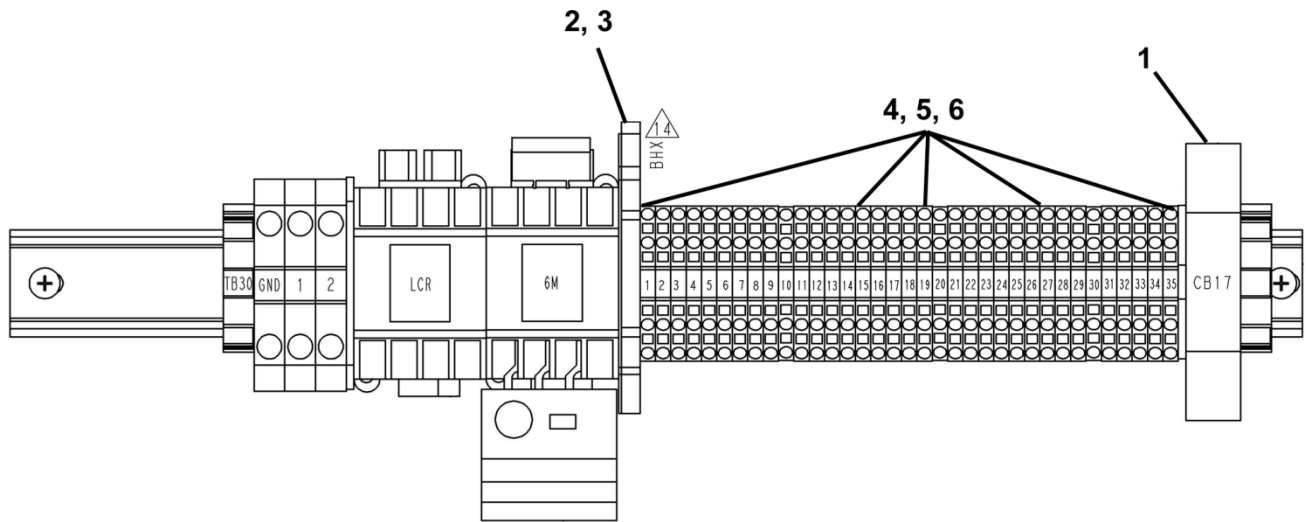


AAA21305CG			
REF. No.	PART No.	DESCRIPTION	SYMBOL
1	AAA303EP80	Block, Terminal, Green, #8AWG	GND
2	AAA303EP51	Block, Terminal, Grey, #8AWG	TB30-1,2
3	AAA638B102	Contactor, Machine Blower	6M
4	AAA637A106	Overload (0.9–1.25 A)	6M-OL
	AAA637A107	Overload (1.1–1.6 A)	
	AAA637A108	Overload (1.4–2.0 A)	
	AAA637A109	Overload (1.8–2.5 A)	
	AAA637A110	Overload (2.2–3.2 A)	
	AAA637A111	Overload (2.8–4.0 A)	
	AAA637A112	Overload (3.5–5.5 A)	
	AAA637A113	Overload (4.5–6.3 A)	
	AAA637A114	Overload (5.5–8.0 A)	
	AAA637A115	Overload (7.0–10.0 A)	
AAA637A116	Overload (9.0–12.0 A)		
5	AAA613DL30	Relay, Loop Control	LCR
6	AAA613DL61	Suppressor	LCR
7	AAA613CX702	Suppressor	6M

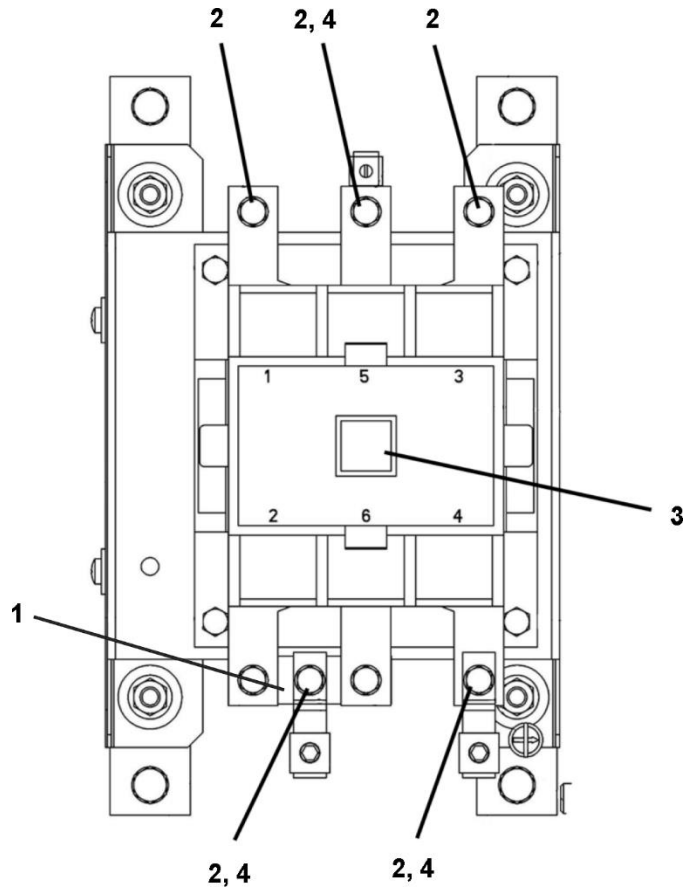
Elevonic® R-Series DSD-412 Drive

Relays and Terminals

10-AAA21305CG



AAA21305CG			
REF. No.	PART No.	DESCRIPTION	SYMBOL
1	AAA00375AAF007	Breaker, Circuit, 6 A	CB17
2	GAA613HK2	Plate, End	BHX
3	AAA303EP199	Relay	BHX
4	AAA102VJ77	Strip, Marker	---
5	AAA303EP19	Terminal, Blue, #14AWG	---
6	AAA303EP1	Terminal, Grey, #14AWG	---

10-AAA21305CG**Elevonic® R-Series DSD-412 Drive
Contactor**

AAA21305CG			
REF. No.	PART No.	DESCRIPTION	SYMBOL
1	AAA252BR2	Bar, Bus with 220, 280 Series Contactor	---
	AAA252BR4	Bar, Bus with 360 Series Contactor	---
2	AAA129EL2	Boot, Insulating, with 100 A, 190 A Drive	ME-1, ME-3
	AAA129EL4		ME-4, ME-5
	AAA129EL6		ME-2, ME-6
	AAA129EL12	Boot,, Insulating, with 300 A Drive	ME-1, ME-3
	AAA129EL5		ME-4, ME-5
	AAA129EL14		ME-2, ME-6
3	AAA638AE6	Contact, 280 Series	ME
	AAA638AE9	Contact, 220 Series	
	AAA638AE10	Contact, 360 Series	
4	AAA190CF16	Lug	ME-2/6, ME-4, ME-5