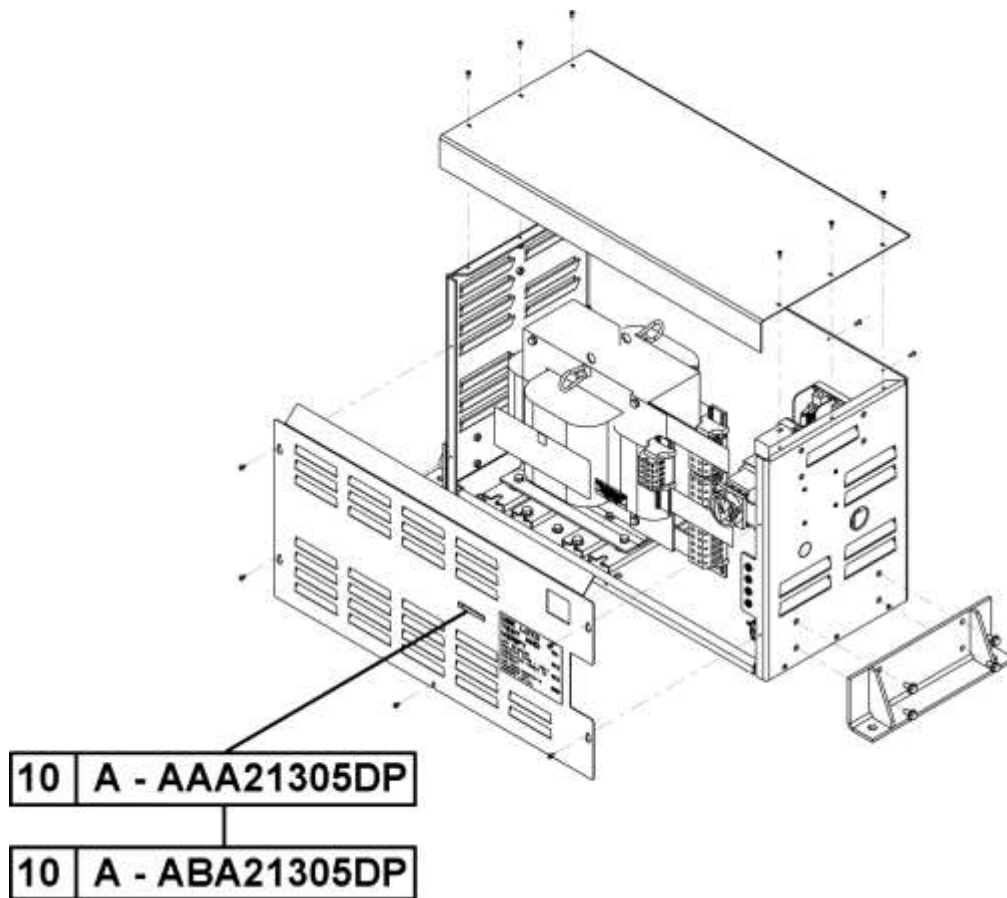


**Gen2-150/200/350  
Transformer Assembly**

**Spare Parts Leaflet**

**10-AAA21305DP**

**January 12, 2022 / Page 1 of 3**



**OTIS**

This document does not contain any technical data subject to EAR or ITAR

**SERVICE ENGINEERING  
Otis Elevator Company  
Bloomfield, Connecticut USA**

Unpublished Work—© Otis Elevator Co.; 2022

**Leaflet Description**

This leaflet lists spare parts for the ABA21305DP transformer assembly.

**Leaflet Revisions**

| <b>Date Revised</b> | <b>Subject Matter Expert</b> | <b>Reason for Revision</b>              |
|---------------------|------------------------------|-----------------------------------------|
| October 16, 2013    | Jim Harte                    | New SPL                                 |
| January 12, 2022    | Ali Bozorgzadeh              | Corrected description for p/n AAA225MW1 |

**Related Drawings**

| <b>Drawing No.</b> | <b>Title</b>         | <b>Drawing No.</b> | <b>Title</b>                |
|--------------------|----------------------|--------------------|-----------------------------|
| AAA21305DP         | Transformer Assembly | AAA21305DH         | Assembly, Gen2-S Controller |
| ABA21305DP         | Transformer Assembly | ---                | ---                         |

**Related Documents**

| <b>Document ID</b> | <b>Title</b>                                                       |
|--------------------|--------------------------------------------------------------------|
| SPL 10-AAA21305DH  | Gearless Variable Frequency Controller NSAA Gen 2-S Control System |

**Subject Matter Expert**

| <b>Name</b>     | <b>Department</b>          |
|-----------------|----------------------------|
| Ali Bozorgzadeh | OSC Electrical Engineering |

**About Spare Parts Leaflets...**

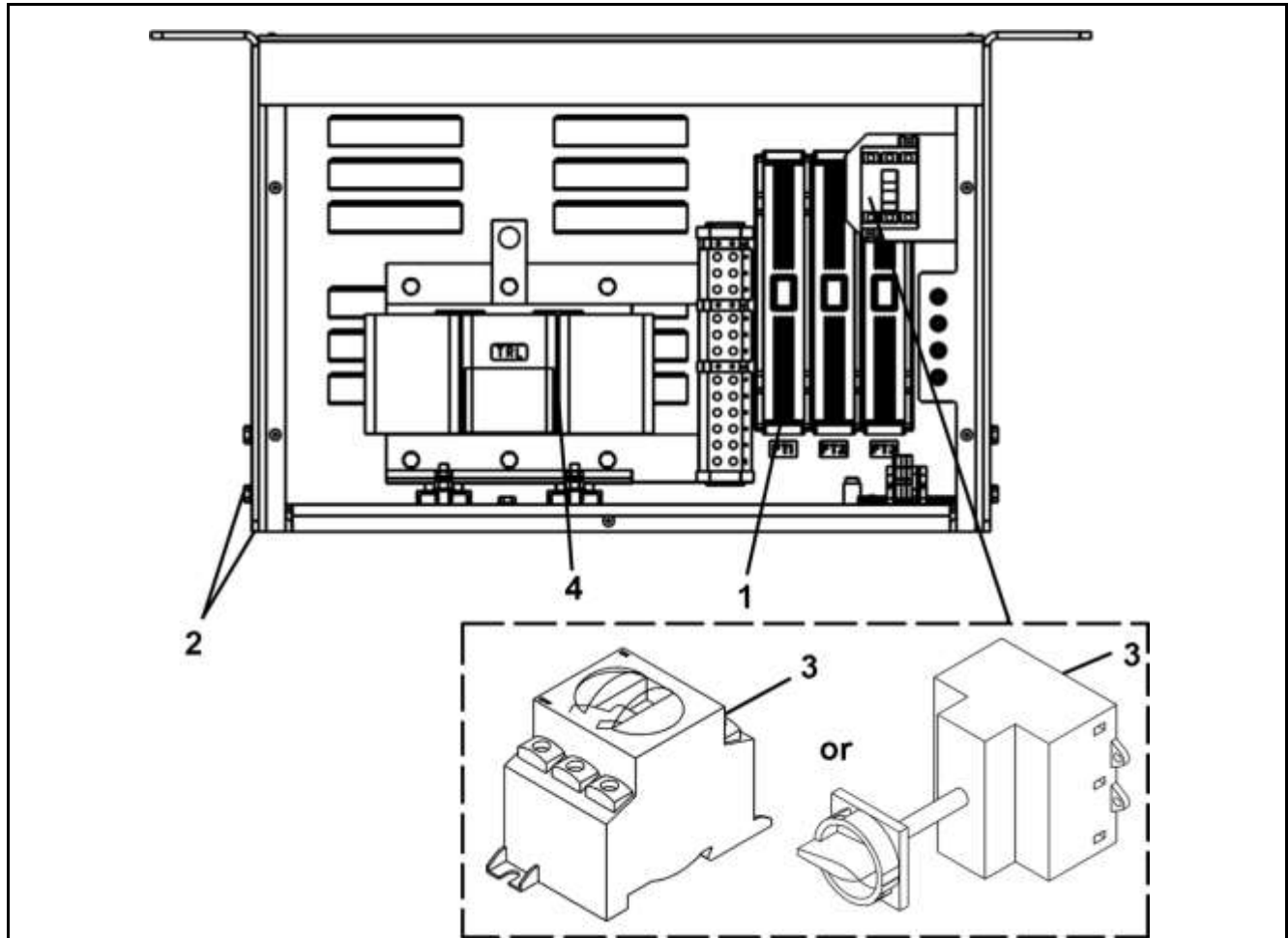
This document lists the lowest replaceable units (LRUs) for the standard version of the product. The LRUs are chosen by a team of Otis associates representing engineering and manufacturing.

While goal of this document is to make parts identification as easy as possible, the document cannot be all-inclusive. Elevator and escalator contracts classified as "special" or "custom" are not addressed here. For such contracts, please refer to specified information, the contract folder, TIPs, Field Education Articles, Construction Letters, etc. for further information.

If you have any suggestions about this document, please contact the subject matter expert listed on this page.

# Transformer Assembly

**10-AAA21305DP**



|          | ALL VINTAGES | AAA21305DP<br>ABA21305DP |                                                                                |                               |
|----------|--------------|--------------------------|--------------------------------------------------------------------------------|-------------------------------|
| REF. No. | PART No.     |                          | DESCRIPTION                                                                    | DRIVE APPLICATION             |
| 1        | AAA375BZ69   | ---                      | Fuse, 600 V, Time Delay Rejection Type, 30 Amp                                 | K*A21310AAT2 (OVFR2B-402) 20A |
|          | AAA375BZ65   | ---                      | Fuse, 600 V, Time Delay Rejection Type, 40 Amp                                 | K*A21310AAN2 (OVFR2B-403) 30A |
|          | AAA375BZ66   | ---                      | Fuse, 600 V, Time Delay Rejection Type, 50 Amp                                 | K*A21310AAV2 (OVFR2B-404) 40A |
|          | AAA375BZ68   | ---                      | Fuse, 600 V, Time Delay Rejection Type, 70 Amp                                 | G*A21310EC2 (OVFR2A-406) 60A  |
| 2        | ---          | AAA21305DY1              | Kit, Mounting Bracket, Transformer (Includes bracket and hardware)             |                               |
| 3        | AAA661G11    | ---                      | Switch, Toggle, Lockable, 600 VAC, 63 Amp, 3-Pole, Power Supply Voltage 600 V  |                               |
|          | AAA661G13    | ---                      | Switch, Rotary, Lockable, 600 VAC, 150 Amp, 3-Pole, Power Supply Voltage 240 V |                               |
| 4        | ABA225LY1    | ---                      | Transformer, 29 KVA, 60 Hz, 35 Amp, 600 VAC, 3-Phase                           |                               |
|          | AAA225MW1    | ---                      | Transformer, 25 KVA, 50/60 Hz, 52 Amp, 240 VAC, 3-Phase                        |                               |