

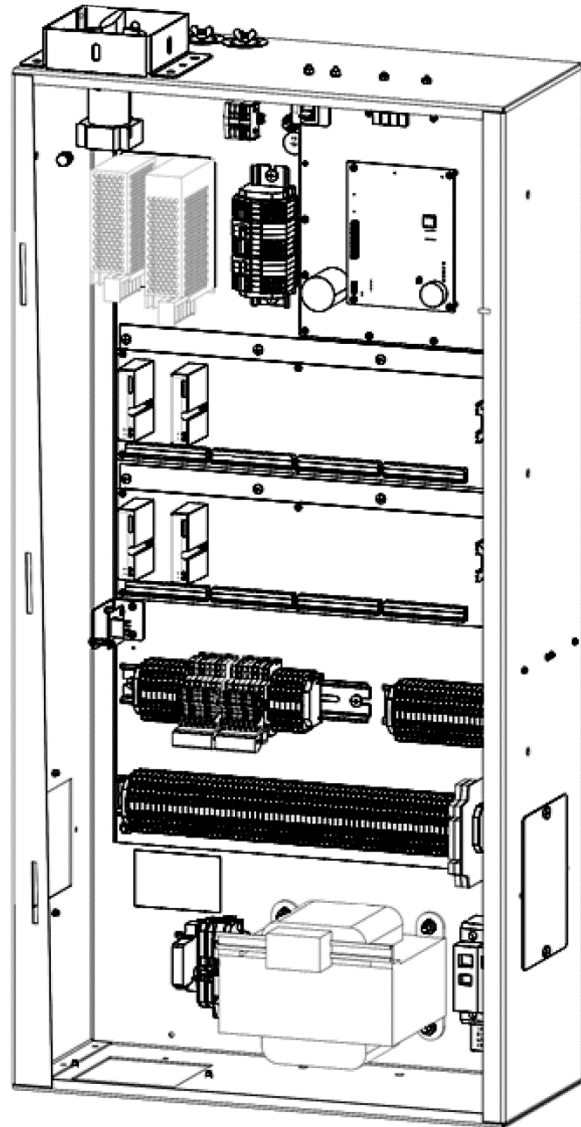
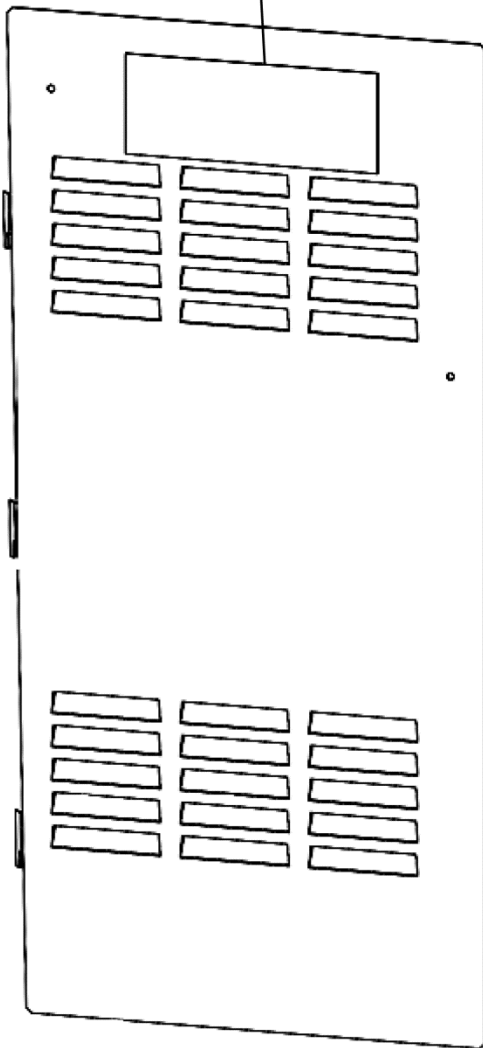
**Compass[®],
Pre-Mod Machine Room
Equipment**

Spare Parts Leaflet

10-AAA21305EK

November 18, 2020 / Page 1 of 5

10 R - AAA21305EK



OTIS

This document does not contain any
technical data subject to EAR or ITAR

**SERVICE ENGINEERING
Otis Elevator Company
Bloomfield, Connecticut USA**

Unpublished Work—© Otis Elevator Co.; 2020

Leaflet Description

This leaflet provides information for the lowest replaceable units of the Compass® Pre-Mod machine room enclosure assembly.

Leaflet Revisions

Date Revised	Subject Matter Expert	Reason for Revision
February 4, 2015	Paul Stranieri	New SPL
March 18, 2015	Paul Stranieri	Updated parts list on pp. 3-4; Updated illustrations
August 23, 2015	Paul Stranieri and Ali Bozorgzadeh	Changed AAA26800AYS to ABA26800AYS
November 23, 2016	Ali Bozorgzadeh	Added dwg. AAA21900AY on history page
November 18, 2020	Peter DePaola	Added p/n JHA26807CBN42 in Refs. 1 and 2 on p. 3

Related Drawings

Drawing No.	Title	Drawing No.	Title
AAA21305EK	Pre-Mod Controller (Machine Room Equipment)	AAA25300AR	Compass Pre-Mod TOC Enclosure
AAA21600JH	Wire List for Pre-Mod Controller	AAA25400CG	Wire list for Pre-Mod TOC Enclosure
AAA21900AY	CPMI System Level Drawing		

Related Documents

Document ID	Title
SPL 31-AAA25300AR	Compass Pre-Mod TOC Enclosure

Subject Matter Expert

Name	Department
Ali Bozorgzadeh	OSC Service Engineering

About Spare Parts Leaflets...

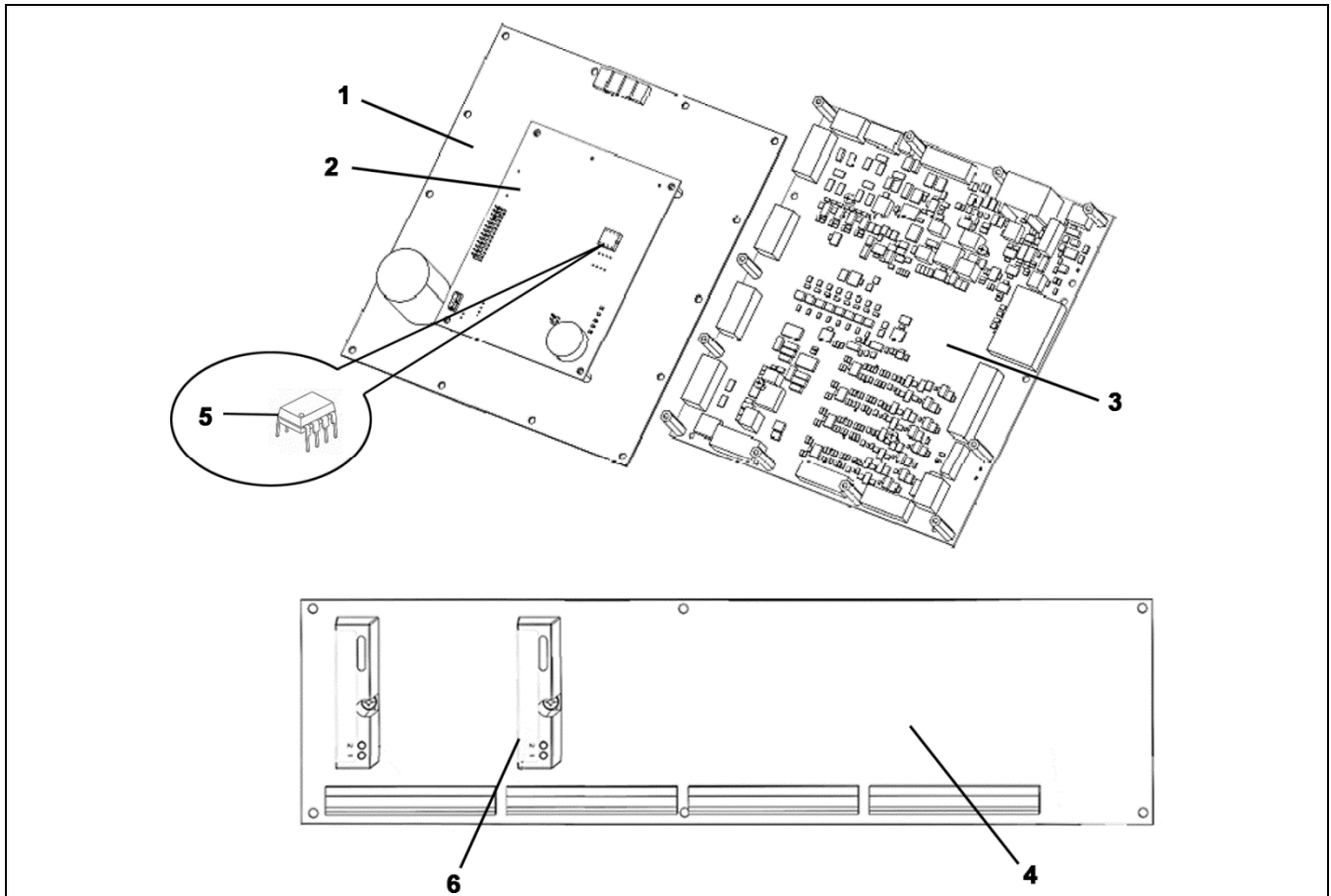
This document lists the lowest replaceable units (LRUs) for the standard version of the product. The LRUs are chosen by a team of Otis associates representing engineering and manufacturing.

While goal of this document is to make parts identification as easy as possible, the document cannot be all-inclusive. Elevator and escalator contracts classified as "special" or "custom" are not addressed here. For such contracts, please refer to specified information, the contract folder, TIPs, Field Education Articles, Construction Letters, etc. for further information.

If you have any suggestions about this document, please contact the subject matter expert listed on this page.

PC Boards

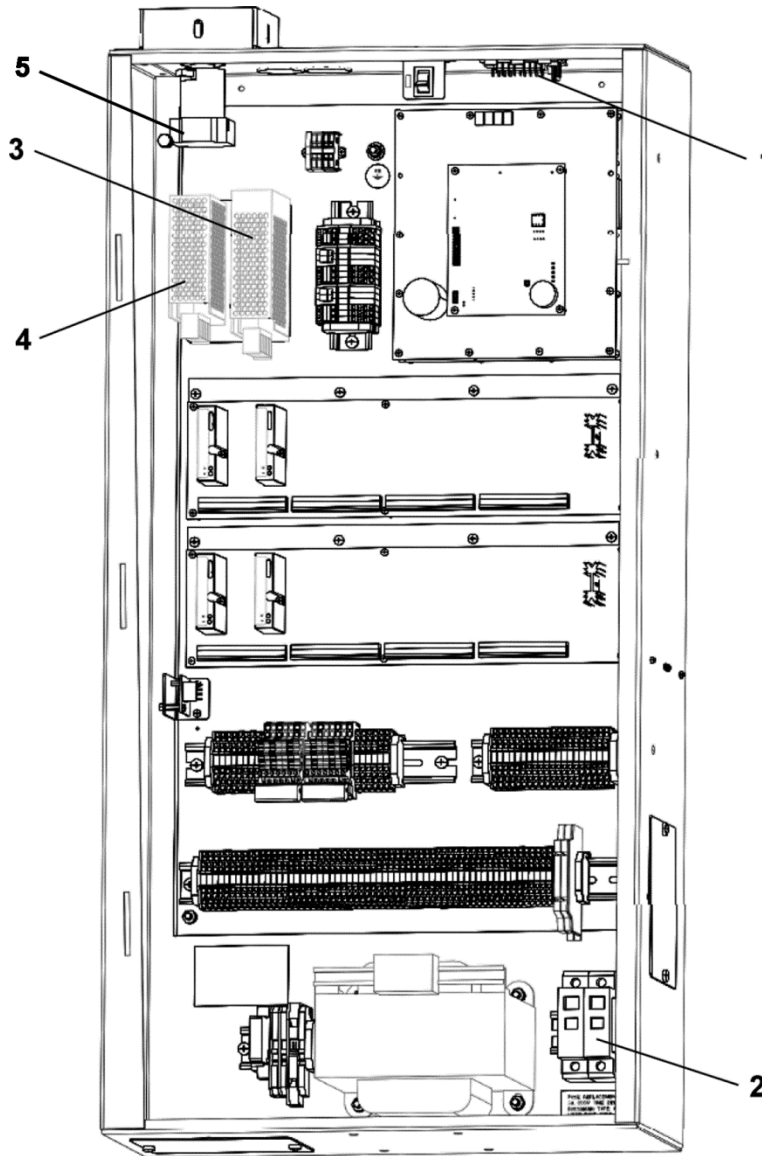
10-AAA21305EK



AAA21305EK		
REF. No.	PART No.	DESCRIPTION
1	JDA26807BZL42	Board, PC, IO-GPCB
	JHA26807CBN42	Board, PC, GECB_V2 + I/O GPCB with AAA31568AAx
2	ABA26800AVP1	Board, PC, GECB_V2
	ABA26800AVP7	
3	AAA26800AYS4 ABA26800AYS4	Board, PC, Encoder and RSL Interface (for competitor encoder)
	AAA26800AYS6 ABA26800AYS6	Board, PC, Encoder and RSL Interface (for Otis encoder)
4	ABA26800MT1	Board, PC, 32-Channel MRSEB, See NOTE 1
	ABA26800ABV1	Board, PC, 32-Channel, Used with I/O Modules, See NOTE 2
5	AAA616NL33 AAA616NL26	EEPROM, 1024K Bit Serial (SPI Bus), 8-Pin DIP (Blank), see TIP 1.1.22.1-12
6	ABA26890A1	Module, I/O, 24–48 V
	ABA26890A2	Module, I/O, 100–150 V

NOTE 1: Used on arrangements AAA21305EK1 and AAA21305EK2.

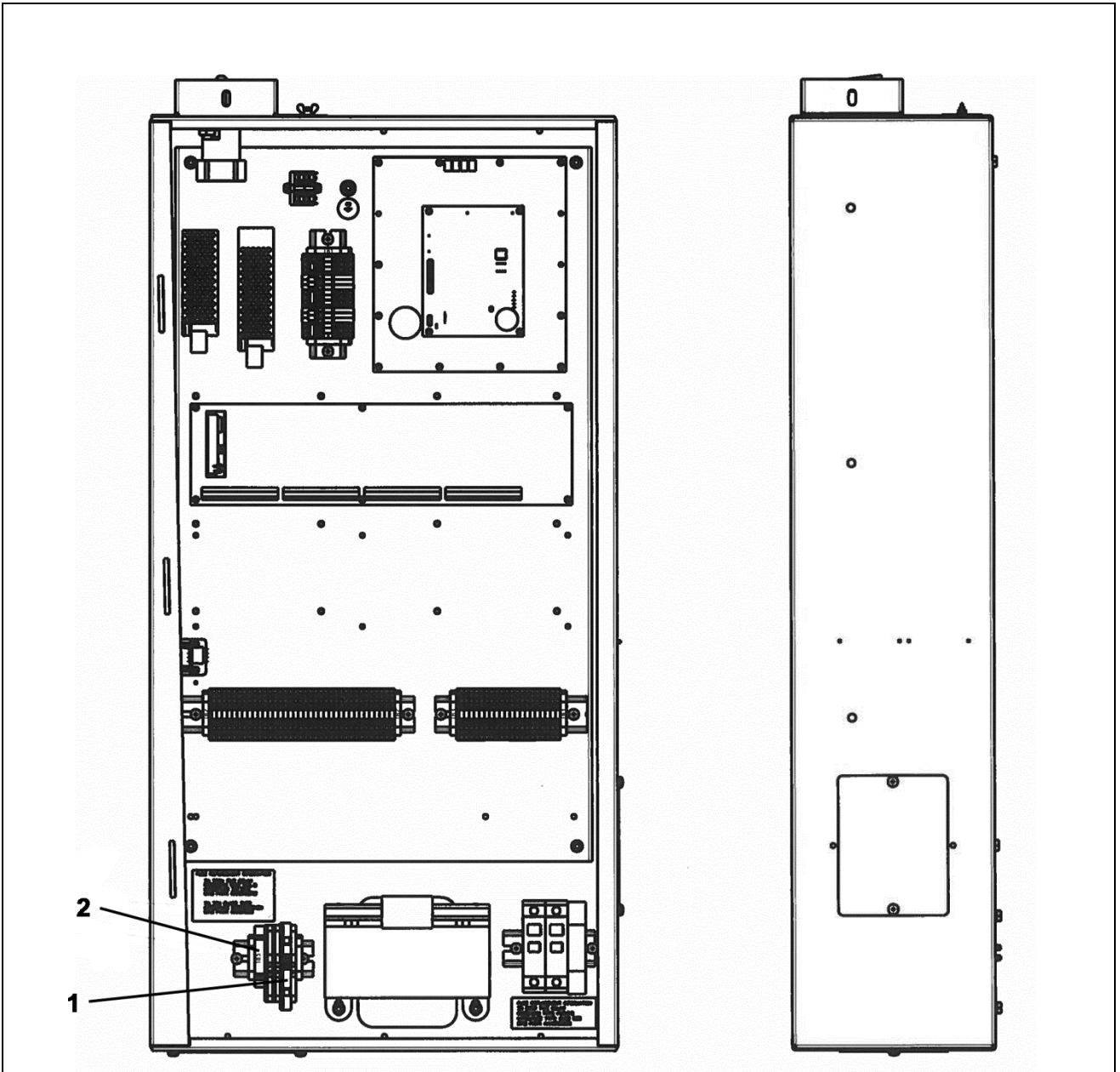
NOTE 2: Used on arrangements AAA21305EK1 through AAA21305EK10.



AAA21305EK		
REF. No.	PART No.	DESCRIPTION
1	GFA23550D1	Board, PC, RS5
2	AAA375BK26	Fuse, Time Delay Rejection, 600V 3A
	AAA375BK21	Fuse, Time Delay Rejection, 600V 1.75 A
	AAA375BK18	Fuse, Time Delay Rejection, 600V 1.5 A
3	AAA621AN20	Power Supply, 24 VDC 2.1A
4	AAA621AN28	Power Supply, 12 VDC 2.5A
5	AAA661G17	Switch, Special Purpose

Terminal Blocks, Fuses

10-AAA21305EK



AAA21305EK		
REF. No.	PART No.	DESCRIPTION
*	AAA303EP199	Block, Terminal, with 24 VDC Relay
1	AAA375C6	Fuse, ATC Type 2 A
2	AAA375BR12	Fuse, 3 A
*	AAA27EF11	Tool, Terminal Block Operating, 5 mm

* Part not shown.