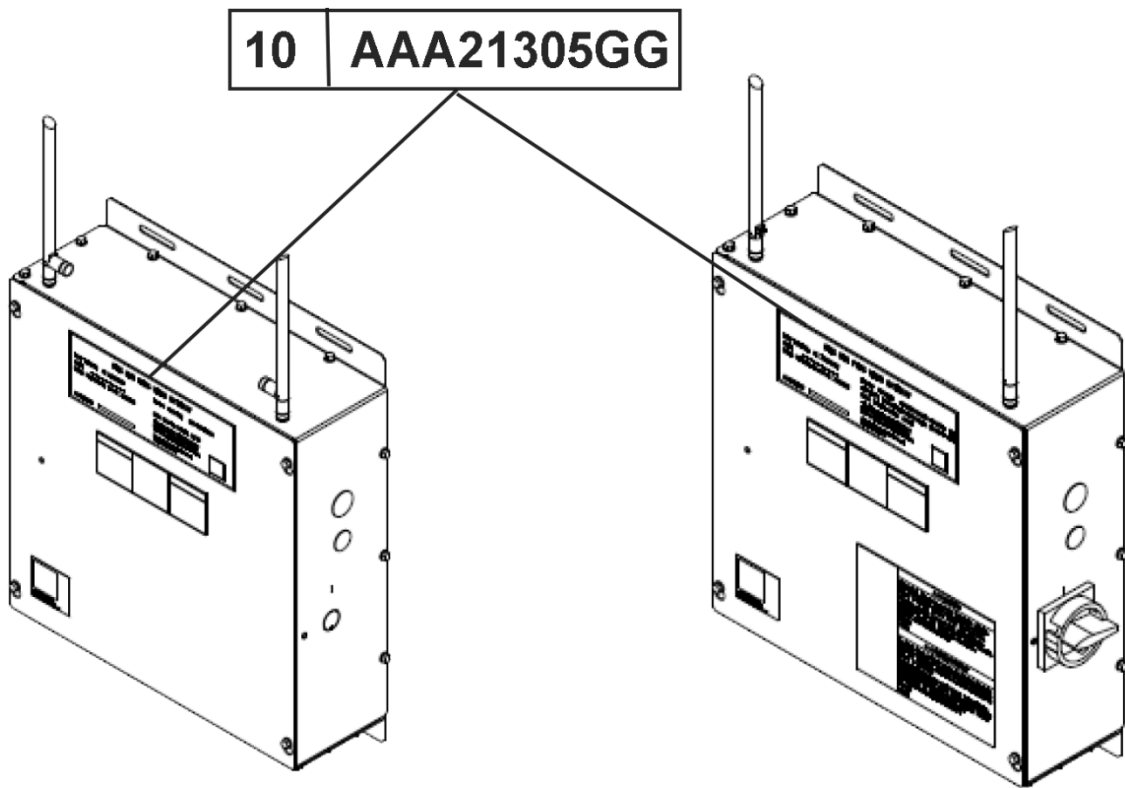


**Otis One Plus Video
(OOPV) Gateway Box**

**Spare Parts Leaflet
10-AAA21305GG**

August 4, 2021 / Page 1 of 5



OTIS

This document does not contain any technical data subject to EAR or ITAR

**SERVICE ENGINEERING
Otis Elevator Company
Bloomfield, Connecticut USA**

Unpublished Work—© Otis Elevator Co.; 2021

Leaflet Description

This leaflet provides spare parts information for Otis One Plus Video Gateway Box. The Gateway box provide internet access to elevators and/or ePal Kiosk through either building supplied internet or through cellular connection from AT&T or Verizon. It also supplies backup power for the gateway box for up to 4 hours. ARR1 consists of cellular gateway, battery backup board, battery, and media converter. ARR2 consists of the same components as ARR1 with the addition of Service Disconnect and 120Vac terminal block assembly with 24vdc power supply.

Leaflet Revisions

Date Revised	Subject Matter Expert	Reason for Revision
August 4, 2021	Philip Buie	New SPL

Related Drawings

Drawing No.	Title	Drawing No.	Title
AAA21305GG	OOPV Gateway	AAA21303FY	Terminal Block
AAA21305GF	Gateway back panel	AAA21303FZ	120v Terminal block
AAA21600LR	Wiring harnesses		

Related Documents

Document ID	Title
---	---

Subject Matter Expert

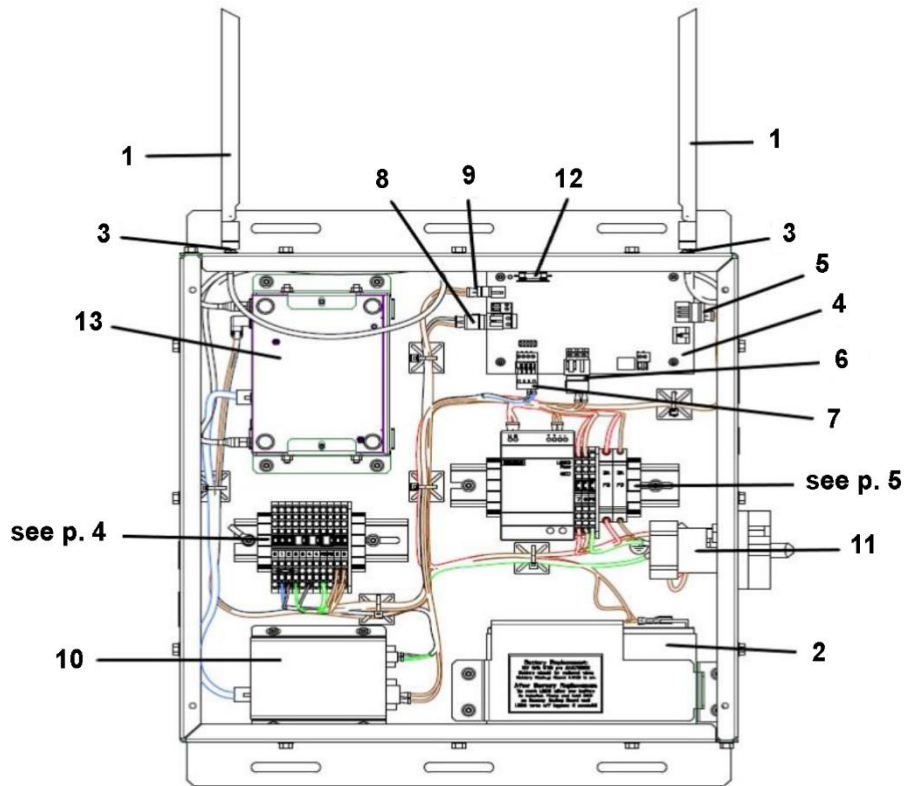
Name	Department
Philip Buie	Florence SIT Engineering

About Spare Parts Leaflets...

This document lists the lowest replaceable units (LRUs) for the standard version of the product. The LRUs are chosen by a team of Otis associates representing engineering and manufacturing.

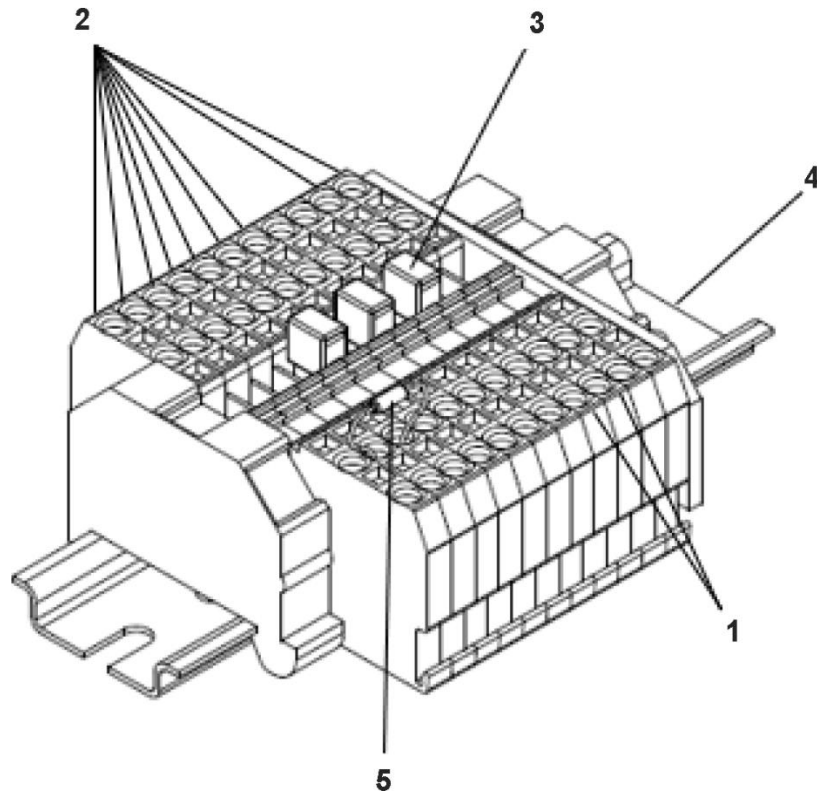
While goal of this document is to make parts identification as easy as possible, the document cannot be all-inclusive. Elevator and escalator contracts classified as "special" or "custom" are not addressed here. For such contracts, please refer to specified information, the contract folder, TIPs, Field Education Articles, Construction Letters, etc. for further information.

If you have any suggestions about this document, please contact the subject matter expert listed on this page.



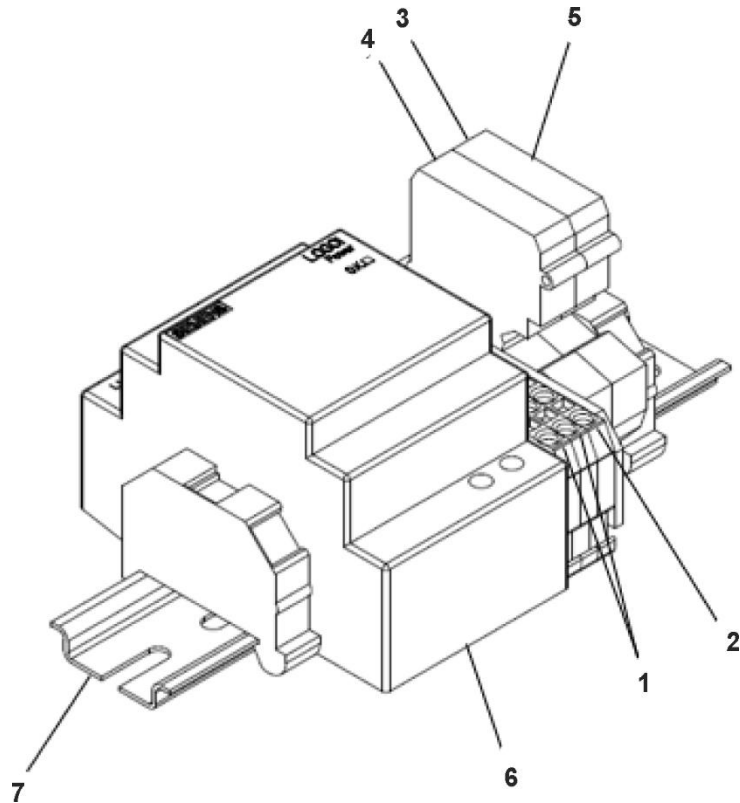
AAA21305GG1/2		
REF. No.	PART No.	DESCRIPTION
1	AAA818B1	Antenna
2	AAA718E22	Battery, 12V 9Ah
3	AAA174CBQ2	Cable, Antenna Coax
*	AAA512M1	Card, SIM, AT&T
*	AAA512M3	Card, SIM, Verizon
4	ABA26800BBM1	Charger, Electronic PC Board
5	AAA447AP235	Connector P2
6	AAA176HH322	Connector P5
7	AAA447AP381	Connector P6
8	AAA447AP237	Connector P7
9	AAA176HH55	Connector P9
10	AAA639FK1	Converter, Ethernet Media
11	AAA661G7	Disconnect, Service
12	AAA375CF5	Fuse, 4A
13	AAB639ER1	Gateway, Digi

* Part not shown.



AAA21303FY1

REF. No.	PART No.	DESCRIPTION
1	AAA303EP270	Block, Terminal, Gray
2	AAA303EP272	Block, Terminal, Ground
3	AAA303EP94	Jumper, Terminal
4	401B46	Rail, DIN, 4.33 in. L
5	AAA232FX105	Resistor, 120Ω, 1%, 1/4W



AAA21303FZ1		
REF. No.	PART No.	DESCRIPTION
1	AAA303EP237	Block, Terminal, Red
2	AAA303EP272	Block, Terminal, Ground
3	AAA375BT18	Fuse 3A
4	AAA375BT27	Fuse 2A
5	AAA653E2	Holder, Fuse
6	AAA621AT25	Power Supply
7	401B94	Rail, Backing