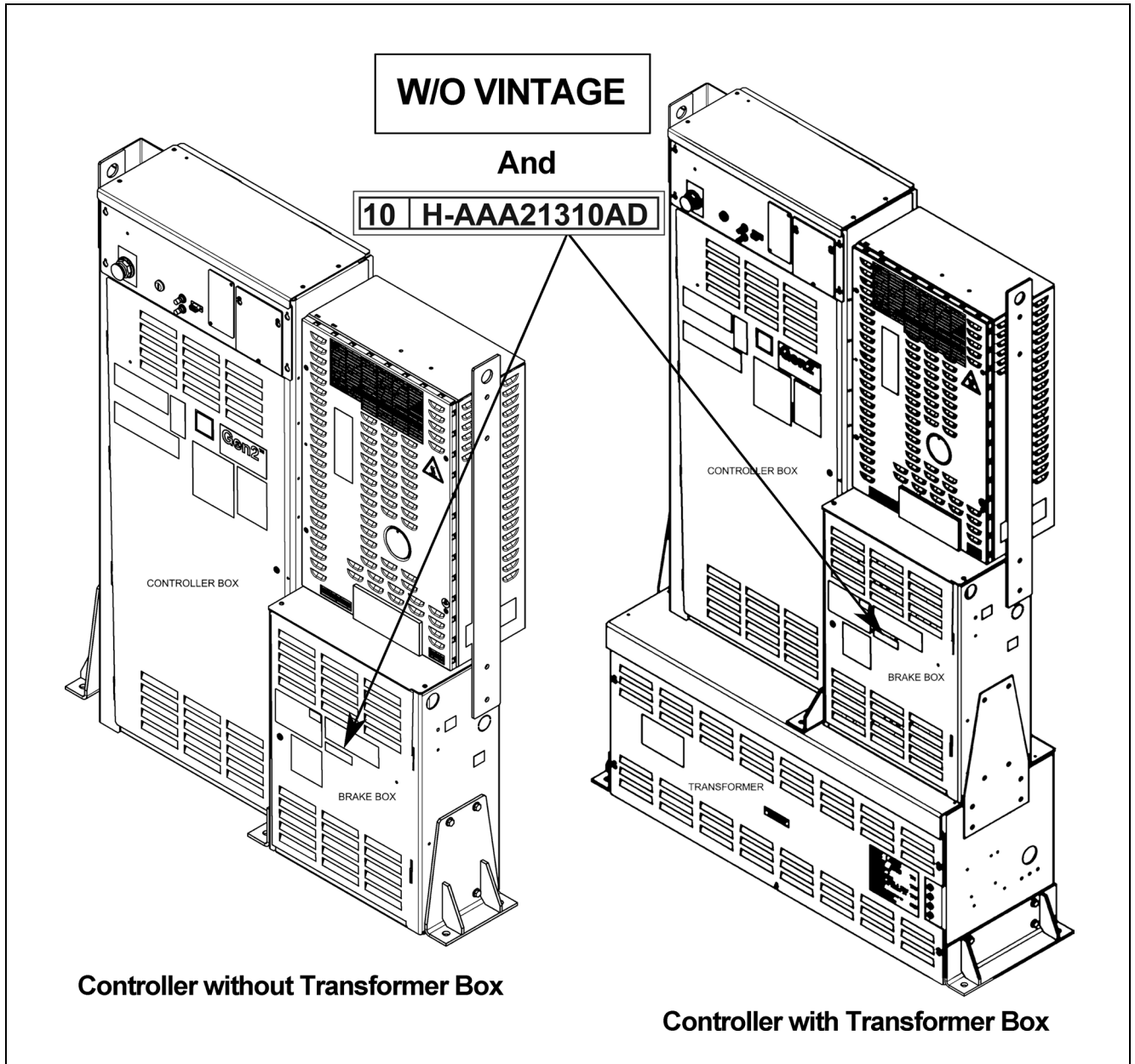


**Gearless Variable
Frequency Controller NSAA
Global Control System**

**Spare Parts Leaflet
10-AAA21310AD**

April 24, 2024 / Page 1 of 7



OTIS

This document does not contain any technical data subject to EAR or ITAR

**SERVICE ENGINEERING
Otis Elevator Company
Bloomfield, Connecticut USA**

Unpublished Work—© Otis Elevator Co.; 2024

History

10-AAA21310AD

Leaflet Description

This leaflet lists spare parts for type AAA21310AD gearless variable frequency controller NSAA global control system.

Leaflet Revisions

Date Revised	Subject Matter Expert	Reason for Revision
September 5, 2008	Paul Hoppie	New SPL
January 27, 2010	Joe Della Porta	Added KBA21310AAT2, KBA21310AAN2, and KBA21310AAV2 (p. 4).
June 30, 2010	Priyank Mehta & Sohaib Shaikh	Added notes 1, 2; added drive p/ns KBA21310AAN2, KBA21310AAV2, and GCA21310A2 (p. 5)
January 26, 2011	Matt Fournier	Added part, special Wago tool (p. 5).
January 26, 2011	Joe Della Porta	Added p/n KDA21310AAT2, KCA21310AAN2, KCA21310AAV2 (p. 5).
March 21, 2011	Joe Della Porta	Added vintage no. for SPL and added 120A CR drive.
August 10, 2011	Joe Della Porta	List drives (p. 3); add new and add SPLs (p. 5); new p. 6.
July 20, 2016	Cuauhtemoc Castro Inzunza	Updated p. 5.
February 7, 2018	Anh Pham	Corrected descriptions, added new parts on p. 5.
May 8, 2019	Jim Harte and Anh Pham	Added new 60A R3 drive part number K*A21310ABR5 and K*A21310ABR6 on p. 6.
July 22, 2020	Jim Harte and Anh Pham	Corrected p/n on p. 6.
July 29, 2020	Ali Bozorgzadeh	Corrected table formatting on p. 6.
July 7, 2021	Brian Hoose	Corrected TIP references on p. 6.
December 1, 2021	Ali Bozorgzadeh	Updated/Corrected p. 6.
August 17, 2022	Doug LaBrecque	Corrected p/n KCA21310ABR6 on p. 6.
April 24, 2024	Charles Demery	Added new ref. information for new 40A drive (p. 2); Added new 40A drive p/n and description info. (p. 5–6).

Related Drawings

Drawing No.	Title	Drawing No.	Title
AAA21310AD	Gearless Variable Frequency Controller NSAA Global Control System	K*A21310AAT	20 A Regenerative Drive Assembly: OVFR2B-402
A*A21305BL	Brake Box	K*A21310AAC	25 A Regenerative Drive Assembly: OVFR1A-402 (OBSOLETE)
A*A21310AD	Controller Assy.	H*A21310AZ	OVFR05A-404 & OVFR05A-204

Continued on next page

History (continued)

10-AAA21310AD

Related Drawings (continued)

Drawing No.	Title	Drawing No.	Title
A*A21305BR	Transformer Box	K*A21310AAA	40 A Regenerative Drive Assembly: OVFR 404R (OBSOLETE)
A*A21310Z	60 A Regenerative Drive Assembly: OVFR1A-406 (OBSOLETE)	K*A21310AAV	40 A Regenerative Drive Assembly: OVFR2B-404
G*A21310A	60 A Regenerative Drive Assembly: OVFR2A-406	A*A21305DD	120 A CR drive assembly
K*A21310ABR	60 A Regenerative Drive Assembly: OVFR03A-406	K*A21310ABL	40A Ultra Regenerative Drive Assembly: OVFR3B-204

Related Documents

Document ID	Title
SPL 10-ABA21305BL	NSAA Global Control System Brake Module
SPL 10-ABA21305BN	Global Control System: Controller Box
SPL 10-ADA21305BR	Global Control System: Transformer Box
SPL 10-KDA21310AAL	Low Cost Regenerative Drive Assembly, Spare Parts Leaflet
SPL 10-AAA21305DD	120A CR drive assembly Spare Parts Leaflet
SPL 10-KAA21310ABL	Ultra Drive 40A Drive Assembly
SPL 10-GAA21150	OVFWW Spare Parts Leaflet
SPL 10-KCA21310ABR	OVFR03A-406; 60A R3 Drive
TIP 1.1.18.2-4	60 Amp ReGen Drives Replacement with New 60A R3

Subject Matter Expert

Name	Department
Anh Pham	OSC Electrical Engineering

About Spare Parts Leaflets...

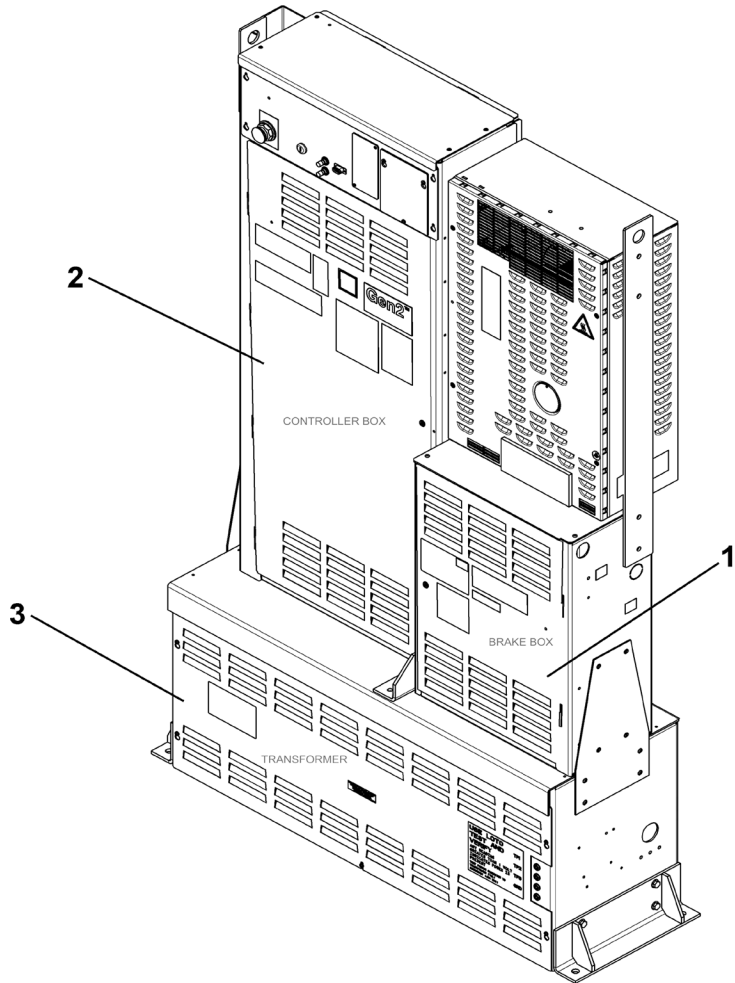
This document lists the lowest replaceable units (LRUs) for the standard version of the product. The LRUs are chosen by a team of Otis associates representing engineering and manufacturing.

While goal of this document is to make parts identification as easy as possible, the document cannot be all-inclusive. Elevator and escalator contracts classified as "special" or "custom" are not addressed here. For such contracts, please refer to specified information, the contract folder, TIPs, Field Education Articles, Construction Letters, etc. for further information.

If you have any suggestions about this document, please contact the subject matter expert listed on this page.

GCS Controller Assembly

10-AAA21310AD

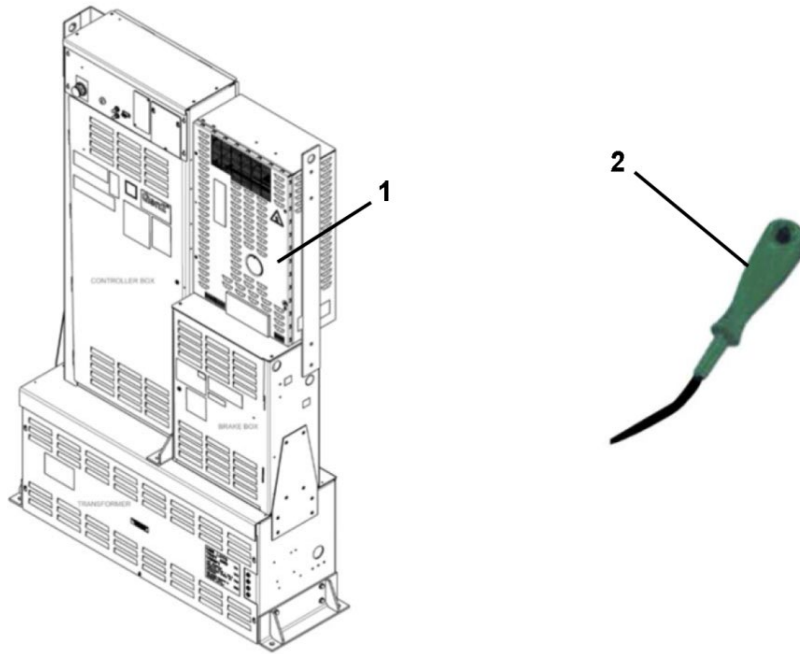


W/O VINTAGE and AAA21310AD		
REF. No.	PART No.	DESCRIPTION
1	---	Assembly, GCS Brake Box, See SPL 10-ABA21305BL for Detailed Parts Listing
2	---	Assembly, GCS Control Module, See SPL 10-ABA21305BN for Detailed Parts Listing
3	---	Assembly, GCS Transformer Box, See SPL 10-ADA21305BR for Detailed Parts Listing

(Continued on next page)

GCS Controller Assembly

10-AAA21310AD



REF. No.	PART No.	DESCRIPTION
1	KBA21310AAT2 KCA21310AAT2 KDA21310AAT2	Drive, Regenerative (OVFR2B-402), 20 A, 480 VAC Drive UD404R2 (OVFR05A-404) 40 A, 480 VAC See NOTE 3 on p. 6
	KCA21310ABL7 KDA21310ABL7 HAA21310AZ1 HAA21310AZ1	Drive, Regenerative (OVFR3B-404), 40 A, 480 VAC Drive UD404R2 (OVFR05A-404) 40 A, 480 VAC See NOTE 5 on p. 6
	KAA21310AAC2 KBA21310AAC2 KCA21310AAC2	Drive, Regenerative (OVFR1A-402), 25 A, 480 VAC Drive UD404R2 (OVFR05A-404) 40 A, 480 VAC See NOTE 5 on p. 6
	KCA21310ABL7 KDA21310ABL7 HAA21310AZ1 HAA21310AZ1	Drive, Regenerative (OVFR3B-404), 40 A, 480 VAC Drive UD404R2 (OVFR05A-404) 40 A, 480 VAC See NOTE 5 on p. 6
	KBA21310AAN2 KCA21310AAN2	Drive, Regenerative (OVFR2B-403), 30 A, 480 VAC Drive UD404R2 (OVFR05A-404) 40 A, 480 VAC See NOTES 1 and 3 on p. 6
	KCA21310ABL7 KDA21310ABL7 HAA21310AZ1 HAA21310AZ1	Drive, Regenerative (OVFR3B-404), 40 A, 480 VAC Drive UD404R2 (OVFR05A-404) 40 A, 480 VAC See NOTE 6 on p. 6
	KAA21310AAA2 KBA21310AAA2 KCA21310AAA2	Drive, Regenerative (OVFR1A-404), 40 A, 480 VAC Drive UD404R2 (OVFR05A-404) 40 A, 480 VAC11 See NOTE 3 on p. 6
	KCA21310ABL7 KDA21310ABL7 HAA21310AZ1 HAA21310AZ1	Drive, Regenerative (OVFR3B-404), 40 A, 480 VAC Drive UD404R2 (OVFR05A-404) 40 A, 480 VAC See NOTE 6 on p. 6

(Continued on next page)

(Refer to illustration on previous page)

REF. No.	PART No.	DESCRIPTION	
1	KBA21310AAV2 KCA21310AAV2	Drive, Regenerative (OVFR2B-404), 40 A, 480 VAC Drive UD404R2 (OVFR05A-404) 40 A, 480 VAC See NOTES 2 and 3	
	KCA21310ABL7 KDA21310ABL7 HAA21310AZ1 HAA21310AZ1	Drive, Regenerative (OVFR3B-404), 40 A, 480 VAC Drive UD404R2 (OVFR05A-404) 40 A, 480 VAC See NOTE 6	
	KCA21310AAN6	Drive, Regenerative (OVFR2B-204), 30A, 208–240 VAC	
	KCA21310ABL8 KDA21310ABL8 HAA21310AZ2 HAA21310AZ2	Drive, Regenerative (OVFR3B-204), 40 A, 208–240 VAC Drive UD404R2 (OVFR05A-204) 40 A, 208-240 VAC See NOTE 6	
	KCA21310AAV6	Drive, Regenerative (OVFR2B-204), 40 A, 208–240 VAC	
	KCA21310ABL8 KDA21310ABL8 HAA21310AZ2 HAA21310AZ2	Drive, Regenerative (OVFR3B-204), 40A, 208–240 VAC Drive UD404R2 (OVFR05A-204) 40 A, 208-240 VAC	See NOTE 6
	ABA21310Z2	Drive, Regenerative (OVFR1A-406), 60 A, 480 VAC	See NOTE 4
	GEA21310A2	Drive, Regenerative (OVFR2A-406), 60 A, 480 VAC	
	KBA21310ABR5 KCA21310ABR5	Drive, Regenerative (OVFR03A-406), 60A, 480V	See NOTE 7
	KBA21310ABR6 KCA21310ABR6	Drive, Regenerative (OVFR03A-206), 60A, 230V	
2	MT-105041	Tool, Terminal Block Operating used with all Wago Terminal Blocks	

NOTE 1: Order PE cable ACA27076CR749 when ordering OVFR2B-403, 30 A drive.

NOTE 2: Order PE cable ACA27076CR748 when ordering OVFR2B-404, 40 A drive.

NOTE 3: See SPL 10-KDA21310AAL for detailed parts listing.

NOTE 4: See SPL 10-GAA21150-2 for detailed parts listing.

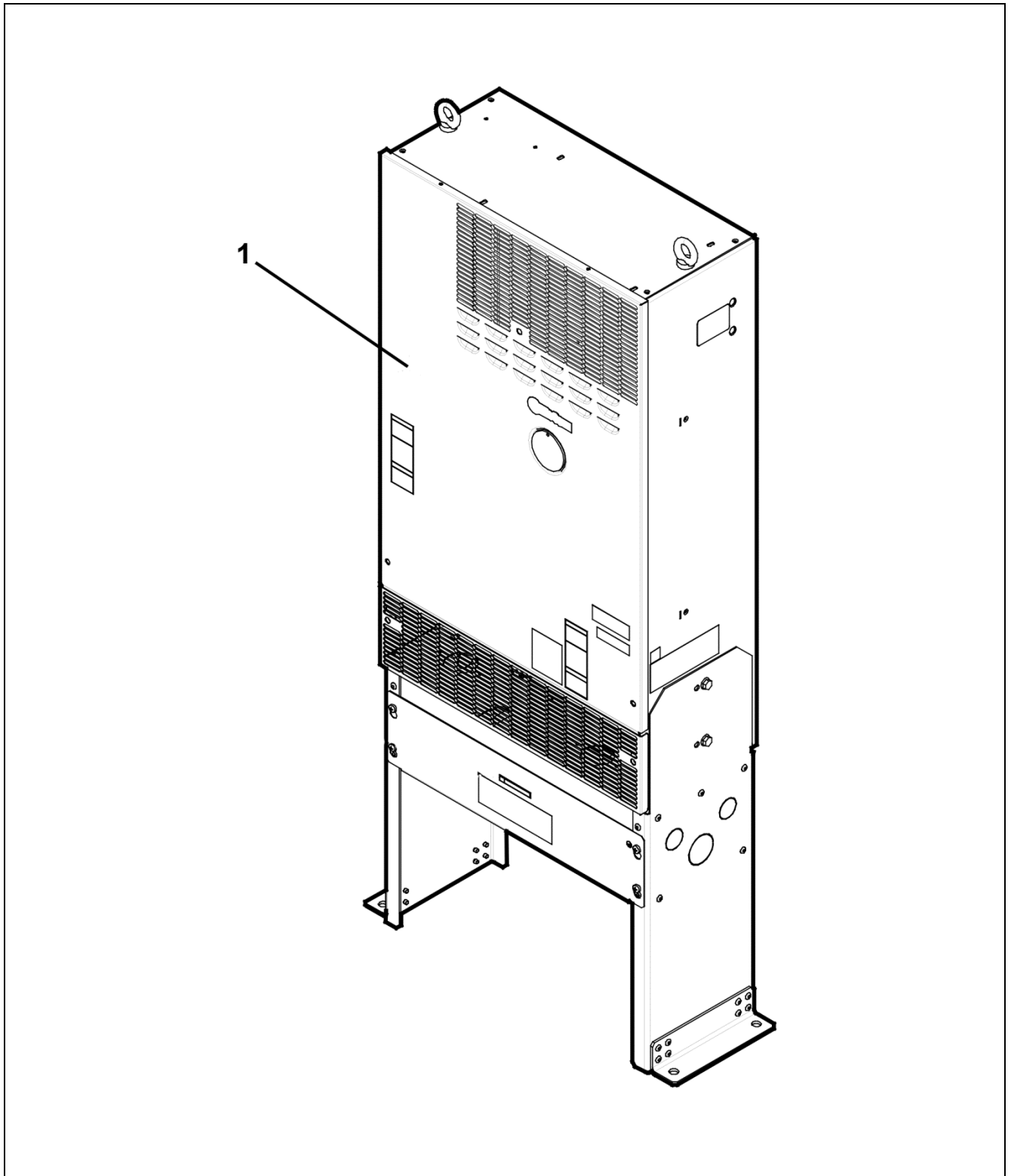
NOTE 5: Order kit AAA27076HT2 when replacing a K_A21310AAT or K_A21310AAC drive with a K_A21310ABL drive. See TIP 1.1.18.2-3.

NOTE 6: Order kit AAA27076HT3 when replacing a K_A21310AAN or K_A21310AAV drive with a K_A21310ABL drive. See TIP 1.1.18.2-3.

NOTE 7: Order kit AAA27076HT6 when replacing an ABA21310Z or GEA21310A drive with a K_A21310ABR drive. See TIP 1.1.18.2-4.

GCS Controller Assembly

10-AAA21310AD



REF. No.	PART No.	DESCRIPTION
1	---	Drive, 120A CR Regenerative Drive Assembly See SPL 10-AAA21305DD for Detailed Parts Listing