

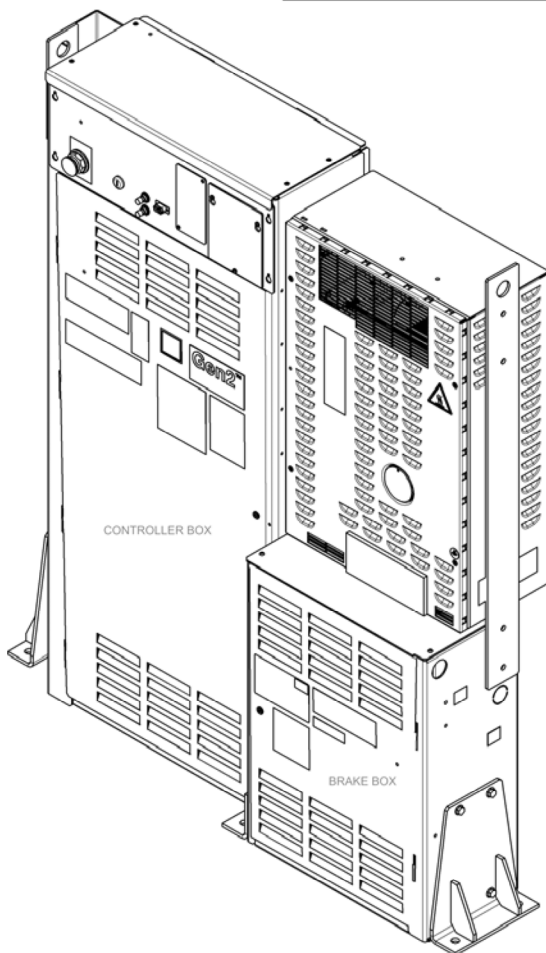
Elevonic® R-Series Global Control System

Spare Parts Leaflet

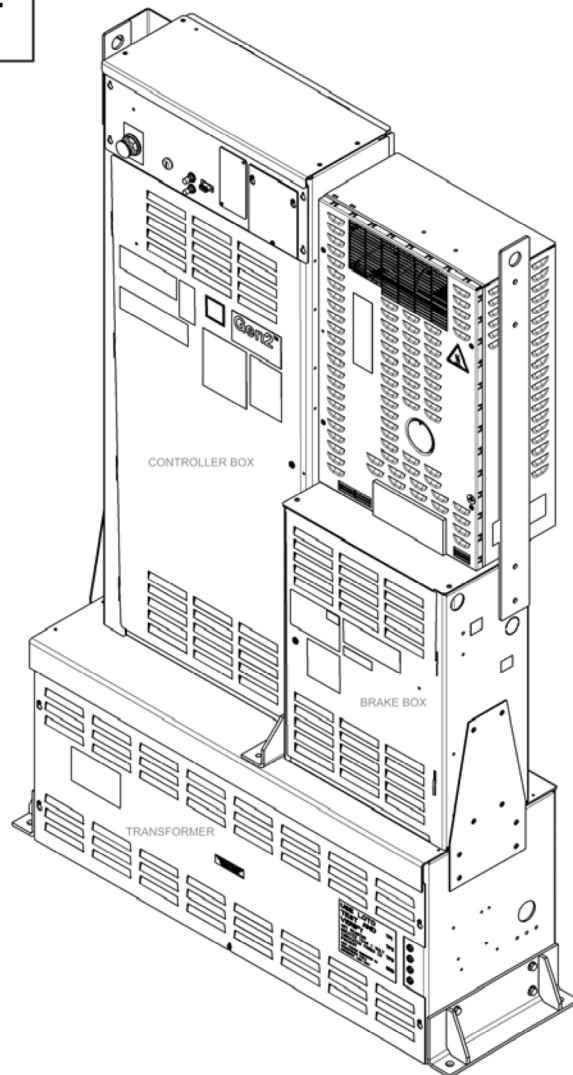
10-AAA21310AF

December 9, 2020 / Page 1 of 5

10 - AAA21310AF



Controller without Transformer Box



Controller with Transformer Box

OTIS

This document does not contain any technical data subject to EAR or ITAR

SERVICE ENGINEERING
Otis Elevator Company
Bloomfield, Connecticut USA

Unpublished Work—© Otis Elevator Co.; 2020

10-AAA21310AF

History

Leaflet Description

This leaflet lists spare parts for type AAA21310AF variable frequency controller NSAA Mod global control system.

Leaflet Revisions

Date Revised	Subject Matter Expert	Reason for Revision
October 13, 2009	Chris Koenig	New SPL
March 30, 2011	Chris Koenig	updated part numbers on p. 3
February 21, 2018	Anh Pham	Updated part numbers throughout and added new p. 5
December 9, 2020	Anh Pham	Removed p/n GBA21310GJ2-BC and replace it with p/n GAA21310GJ999 on p. 5

Related Drawings

Drawing No.	Title	Drawing No.	Title
AAA21310AF	Variable Frequency Controller NSAA Elevonic R Series Control System	ABA21310Z	60A Regenerative Drive Assembly: OVFR1A-406
KBA21310AAA	40A Regenerative Drive Assembly: OVFR 404R	--	90A Regenerative Drive Assembly: OVFR1A-409
AAA21305BT	Controller Box	--	120A Regenerative Drive Assembly: OVFR1A-412
AAA21305BV	Brake Box	KBA21310AAC	25A Regenerative Drive Assembly: OVFR1A-402
ADA21305BR	Transformer Box	KCA21310AAN	30A Regenerative Drive Assembly

Related Documents

Document ID	Title
SPL 10-AAA21305BV	<i>Elevonic R Series Control System: Brake Box</i>
SPL 10-AAA21305BT	<i>Elevonic R Series Control System: Controller Box</i>
SPL 10-ADA21305BR	<i>Elevonic R Series Control System: Transformer Box</i>
SPL 10-AAA21799L	<i>Auto Transformer Cabinet</i>
SPL 10-AAA21799M	<i>Isolation Transformer Cabinet</i>

Subject Matter Expert

Name	Department
Chris Koenig	New Product Development, OSC

About Spare Parts Leaflets...

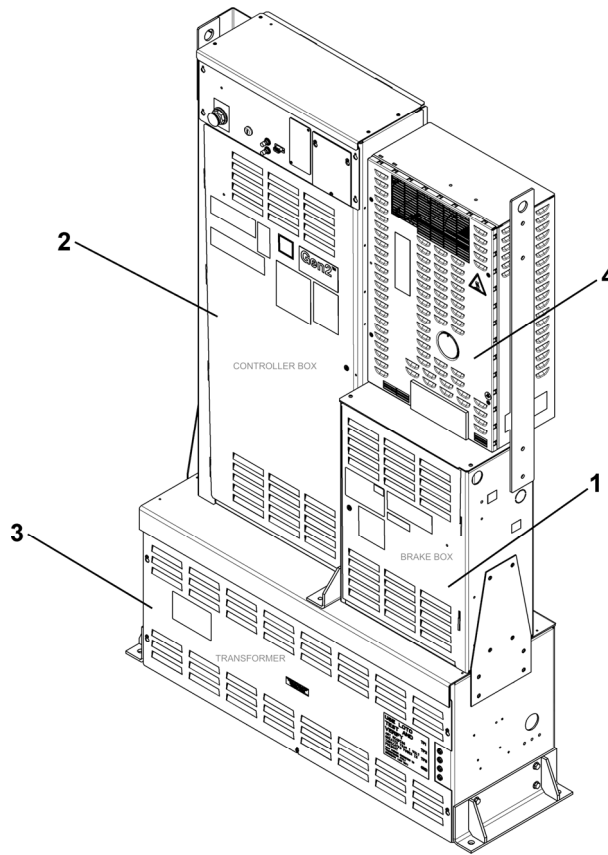
This document lists the lowest replaceable units (LRUs) for the standard version of the product. The LRUs are chosen by a team of Otis associates representing engineering and manufacturing.

While goal of this document is to make parts identification as easy as possible, the document cannot be all-inclusive. Elevator and escalator contracts classified as "special" or "custom" are not addressed here. For such contracts, please refer to specified information, the contract folder, TIPs, Field Education Articles, Construction Letters, etc. for further information.

If you have any suggestions about this document, please contact the subject matter expert listed on this page.

Elevonic® R-Series Controller Assembly

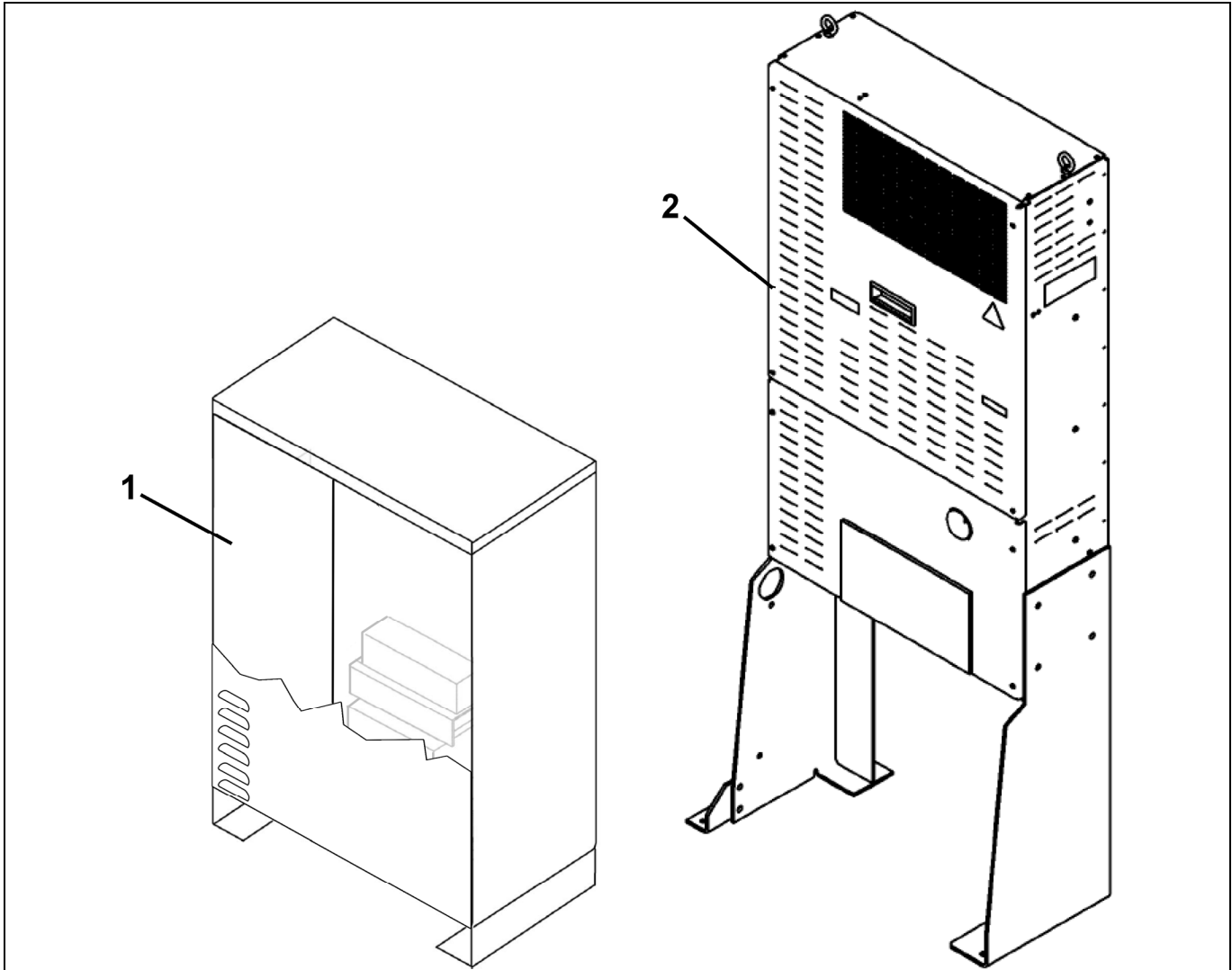
10-AAA21310AF



AAA21310AF		
REF. No.	PART No.	DESCRIPTION
1	---	Assembly, GCS-M Brake Box, SPL 10-AAA21305BV for Detailed Parts Listing
2	---	Assembly, GCS-M Control Module, SPL 10-AAA21305BT for Detailed Parts Listing
3	---	Assembly, GCS Transformer Box, SPL 10-ADA21305BR for Detailed Parts Listing
4	KBA21310AAC2	Drive, Regenerative, OVF 402R, 25 A
	KBA21310AAN2	Drive, Regenerative, OVF 403R, 30 A
	KCA21310AAN2	Drive, Regenerative (OVFR3B-404), 40 A, SPL 10-KAA21310ABL for Detailed Parts Listing
	KCA21310ABL7	
	KDA21310ABL7	
	KBA21310AAA2	Drive, Regenerative, OVF 404R, 40 A
4	KCA21310AAA2	Drive, Regenerative, OVF 403R, 40 A
	KBA21310AAV2	Drive, Regenerative (OVFR3B-404), 40 A, SPL 10-KAA21310ABL for Detailed Parts Listing
	KCA21310AAV2	
	KCA21310ABL7	
4	KDA21310ABL7	
	ABA21310Z2	Drive, Regenerative, OVF 406R, 60 A
	GEA21310A2	

10-AAA21310AF

Elevonic® R-Series Controller Assembly

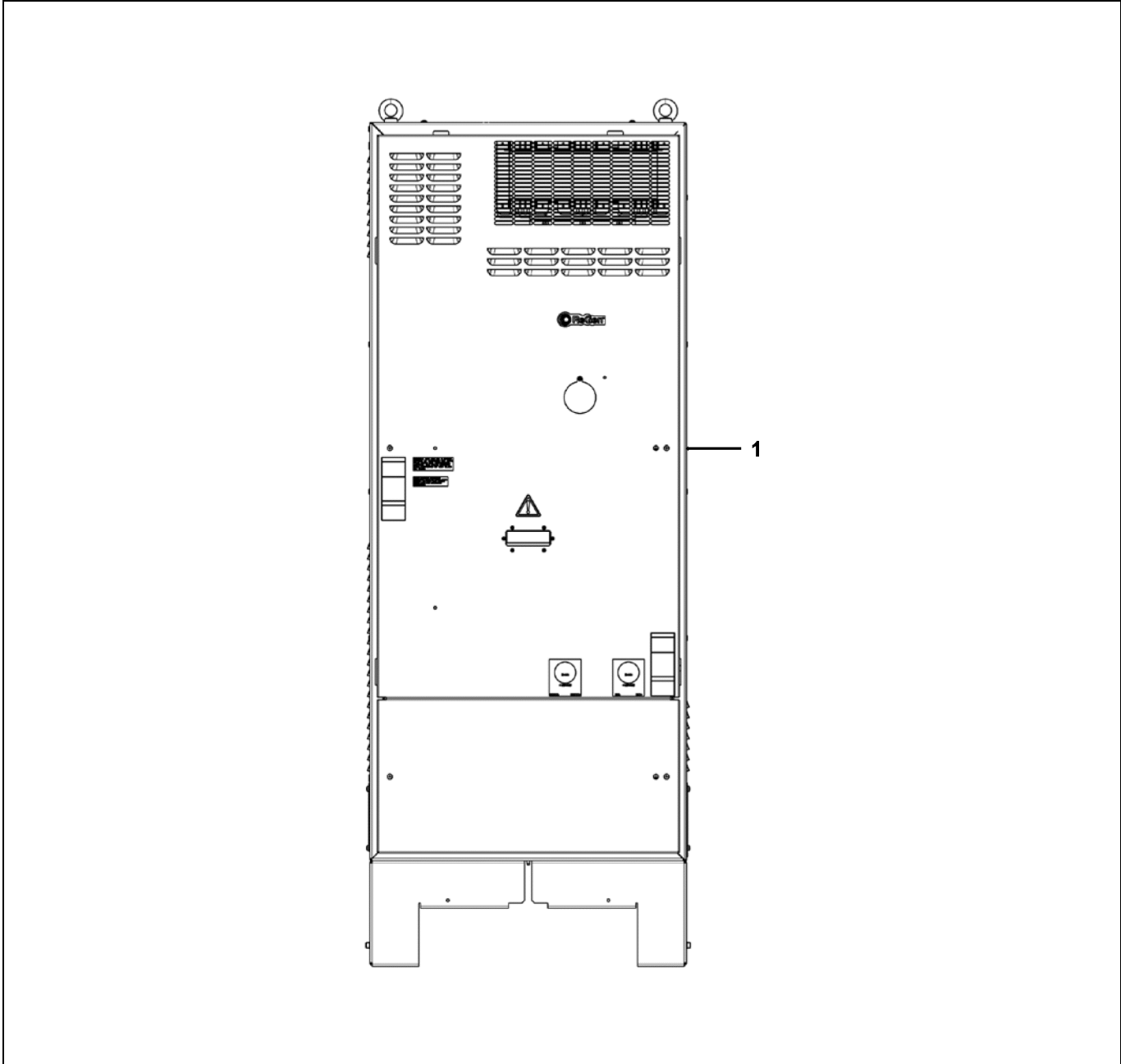



AAA21310AF		
REF. No.	PART No.	DESCRIPTION
1	---	Auto-Transformer Cabinet, SPL 10-AAA21799L for Detailed Parts Listing
	---	Isolation Transformer Cabinet, SPL 10-AAA21799M for Detailed Parts Listing
2	JAA21312AAG2	Drive, Regenerative, OVF 409R, 90 A, SPL 10-JAA21312AAC
	JBA21312AAG2	Drive, Regenerative, OVF 412R, 120 A, SPL 10-JAA21312AAC
	GCA21310EC2	Drive, Regenerative, OVF 412R, 120 A, SPL 10-GAA21150-2

NOTE: GCA21310EC2 drive stand part number is AAA471LJ1.

Elevonic[®] R-Series Controller Assembly

10-AAA21310AF



REF. No.	PART No.	DESCRIPTION
1	AAA21310AF GAA21310GJ2 GAA21310GJ999	Drive, Regenerative, OVF 416R, 160A,  SPL 10-GAA21150-2